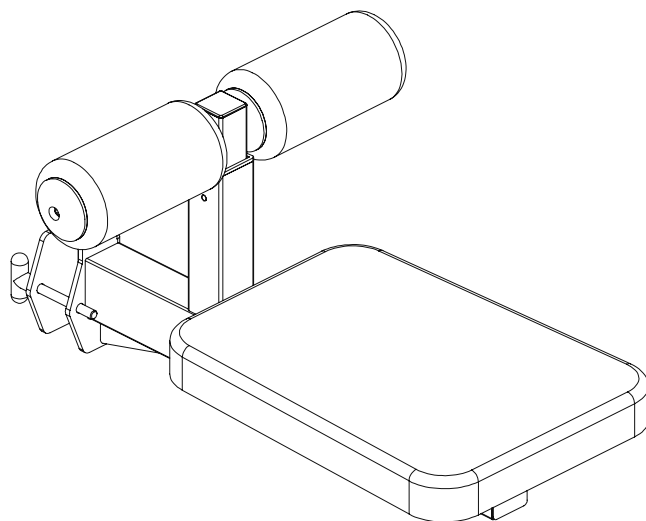


# TAURUS®

## Operating Instructions



SKU: TF-LSA

FSUKTFLSA.01.01

## GENERAL SAFETY INSTRUCTIONS

### Personal Safety

#### ⚠ DANGER

- + Before you start using the equipment, you should consult your physician that this type of exercise is suitable for you from a health perspective.
- + Note that excessive training can seriously endanger your health. If you notice any signs of weakness, nausea, dizziness, pain, shortness of breath, or other abnormal symptoms, stop exercising immediately and seek advice from your doctor if necessary.

#### ⚠ WARNING

- + This equipment may not be used by children under 14 years.
- + Children should not be allowed unsupervised access to the equipment
- + Persons with disabilities must have a medical license and must be under strict observation when using the equipment.
- + The equipment is strictly for use by one person at a time.

#### ⚠ CAUTION

- + Make sure that nobody is within the range of motion of the equipment during training so as not to endanger you or other persons.

#### ▶ ATTENTION

- + Do not insert any objects of any kind into the openings of the device.

### Set-Up Place

#### ⚠ WARNING

- + Do not place the equipment in main corridors or escape routes.
- + To prevent fire, do not place the device near or in areas with high heat (e.g. near a heater).

#### ⚠ CAUTION

- + Choose the set-up place so that there is sufficient space around the product.

#### ▶ ATTENTION

- + The device may only be used in one building, in sufficiently tempered and dry rooms (ambient temperatures between 10°C and 35°C). The equipment should not be used outdoors or in rooms with high humidity (over 70%) like swimming pools.

#### ① NOTE

This is an accessory and is therefore only suitable for devices intended for the use of this attachment. Further relevant safety instructions can be found in the respective manuals.

### Intended Use

The equipment may only be used for its intended purpose.

The equipment is only suitable for home use. The equipment is not suitable for semi-professional (e.g. hospitals, associations, hotels, schools, etc.) and commercial or professional use (e.g. fitness studios).

### Technical data

Article weight (gross, incl. packaging): 9 kg

Article weight (net, without packaging): 8 kg

Packaging dimensions in cm (L x W x H): 69.5 x 43.5 x 14

Set-up dimensions in cm (L x W x H): 73.7 x 47.8 x 33.5

Maximum user weight: 150 kg

Use class: H

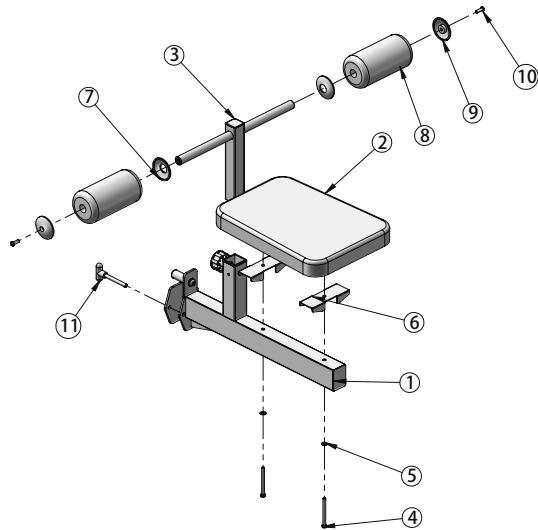
### Parts List

No.	Name	Specification	Qty.
1	Seat Pad Frame Assembly	Assembly Part	1
2	Seat Pad	450*335*50	1
3	Foam Frame	Assembly Part	1
4	Hexagon Bolt M8*90	M8x90	2
5	Washer Ø8	Ø8	2
6	Reinforcing Plate	T2	2
7	Foam Inner Cap	φ70×φ27×12	2
8	Foam	φ25×φ100×200	2
9	Foam Outer Cap	φ70×φ9×14	2
10	Hexagon Socket Button Head Screws M8*25	M8x25	2
11	Latch	φ10×85	1

# TF-LSA

## Assembly/Exploded Drawing

1. Fasten the seat pad (2) to the seat pad frame assembly (1) using a washer (5) and a bolt (4).
2. Fasten the reinforcing plate (6) to the seat pad frame assembly (1) using a washer (5) and a bolt (4).
3. Attach one foam inner cap (7), one foam (8) and one foam outer cap (9) to each side of the foam frame (3).
4. Fasten the foams (8) and caps (7 & 9) with one bolt (10) each.
5. Attach the pin to the seat frame (1).



## Warranty Information

Training equipment from TAURUS® is subject to strict quality control. However, if a fitness equipment purchased from us does not work perfectly, we take it very seriously and ask you to contact our customer service as indicated. We are happy to help you by phone via our service hotline.

### Warranty period

The warranty periods, shown on our web shop, begin on delivery of the fitness equipment. The respective warranty periods for your equipment can be found on its product website.

Please refer to the website of your TAURUS® device for the exact warranty conditions.

## Care, Maintenance and Storage

### ⚠ WARNING

The storage location should be chosen so that improper use by third parties or children is prevented.

1. Clean the device with a dry soft cloth.
2. Store the device in the supplied carton in a dry environment.

## Disposal

At the end of its operational life, this equipment cannot be disposed of in normal household waste. Instead, it must be disposed of via a recycling centre. Further information can be obtained from your local authority's recycling service.

## Contact

### DE TECHNIK

☎ +49 4621 4210-900  
✉ [technik@fitshop.de](mailto:technik@fitshop.de)

### SERVICE

☎ 0800 20 20277 (kostenlos)  
✉ [info@fitshop.de](mailto:info@fitshop.de)

### UK CUSTOMER CARE

☎ +44 141 737 2249 or  
+44 141 876 3972  
✉ [customercare@fitshop.co.uk](mailto:customercare@fitshop.co.uk)

### FR TECHNIQUE & SERVICE

☎ +33 (0) 189 530984  
+49 4621 42 10 933  
✉ [info@fitshop.fr](mailto:info@fitshop.fr)

### DK TEKNIK OG SERVICE

☎ 80 90 16 50  
+49 4621 4210-945  
✉ [info@fitshop.dk](mailto:info@fitshop.dk)

### ES TECNOLOGÍA Y SERVICIOS

☎ 911 238 029  
✉ [info@fitshop.es](mailto:info@fitshop.es)

### BE TECHNIQUE & SERVICE

☎ 02 732 46 77  
+49 4621 4210 933  
✉ [info@fitshop.be](mailto:info@fitshop.be)

### NL TECHNISCHE DIENST & SERVICE

☎ +31 172 619961  
✉ [service@fitshop.nl](mailto:service@fitshop.nl)

### AT TECHNIK & SERVICE

☎ 0800 20 20277 (kostenlos)  
+49 4621 42 10-0  
✉ [info@fitshop.at](mailto:info@fitshop.at)

### CH TECHNIK & SERVICE

☎ 0800 202 027  
+49 4621 42 10-0  
✉ [info@fitshop.ch](mailto:info@fitshop.ch)

### PL DZIAŁ TECHNICZNY I SERWIS

☎ 22 307 43 21  
+49 4621 42 10-948  
✉ [info@fitshop.pl](mailto:info@fitshop.pl)

### INT TECHNICAL SUPPORT & SERVICE

☎ +49 4621 4210-944  
✉ [service-int@fitshop.de](mailto:service-int@fitshop.de)