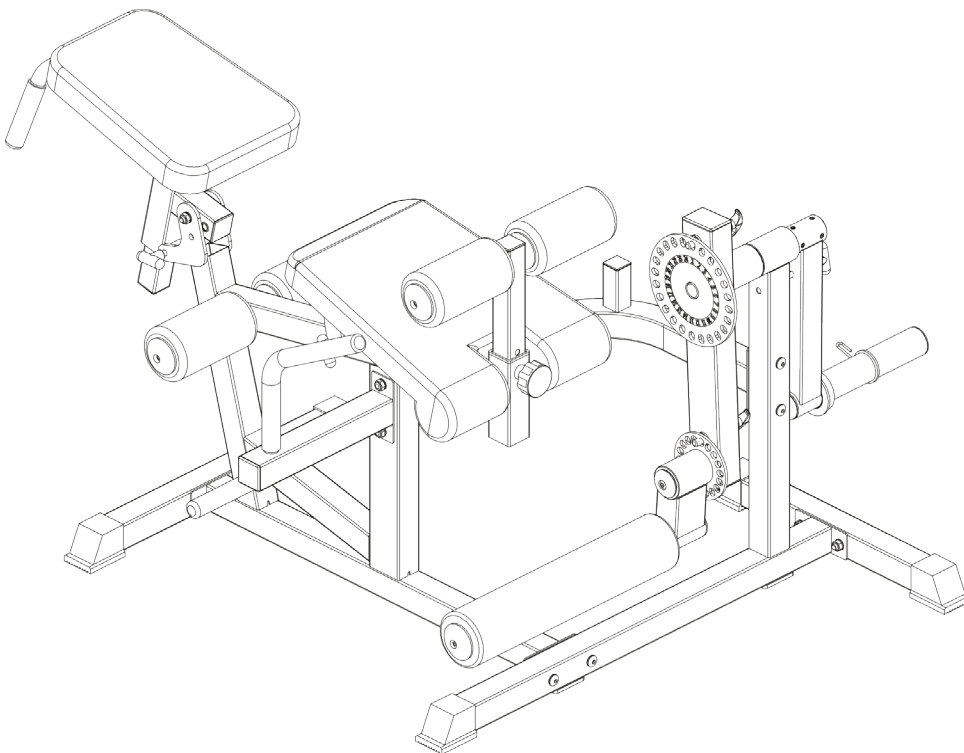


TAURUS®

Assembly and Operating Instructions



max. 230 kg



~ 60 Min. 



 54 kg

L 165 | W 125 | H 93

FSUKTFL401.01.02

SKU: TF-L401

Taurus 5-in-1 Multi Trainer

Content

| | | |
|----------|--|-----------|
| 1 | GENERAL INFORMATION | 8 |
| 1.1 | Technical Data | 8 |
| 1.2 | Personal Safety | 9 |
| 1.3 | Set-Up Place | 10 |
| 2 | ASSEMBLY | 11 |
| 2.1 | General Instructions | 11 |
| 2.2 | Scope of Delivery | 11 |
| 2.3 | Assembly | 17 |
| 2.4 | Workout tips | 32 |
| 2.4.1 | Training clothes | 32 |
| 2.4.2 | Warming up and stretching | 32 |
| 2.4.3 | Medication | 33 |
| 2.4.4 | Used muscle groups | 33 |
| 2.4.5 | Exercise frequency | 33 |
| 2.5 | Workout journal | 35 |
| 3 | STORAGE AND TRANSPORT | 36 |
| 3.1 | General Instructions | 36 |
| 4 | TROUBLESHOOTING, CARE AND MAINTENANCE | 36 |
| 4.1 | General Instructions | 36 |
| 4.2 | Faults and Fault Diagnosis | 37 |
| 4.3 | Maintenance and Inspection Calendar | 37 |
| 5 | DISPOSAL | 37 |
| 6 | RECOMMENDED ACCESSORIES | 38 |
| 7 | ORDERING SPARE PARTS | 39 |
| 7.1 | Serial Number and Model Name | 39 |
| 7.2 | Parts List | 40 |
| 7.3 | Exploded Drawing | 42 |
| 8 | WARRANTY | 43 |
| 9 | CONTACT | 45 |

Dear customer,

Thank you for choosing quality training equipment from the TAURUS® brand. Taurus offers sports and fitness equipment for home users with high demands on quality, functionality and longevity. Also, Taurus is a well-known and experienced brand for equipping professional rooms for fitness studios and business customers. The focus of Taurus fitness equipment is on what matters most in sports: maximum performance! Therefore, the devices are developed in close consultation with athletes and sports scientists. Because athletes know best what makes perfect fitness equipment.

Further information can be found at www.fitshop.co.uk

Intended Use

The equipment may only be used for its intended purpose.

The equipment is suitable for home use and semi-professional use (e.g. hospitals, clubs, hotels, schools, etc.). The equipment is not suitable for commercial or professional use (e.g. fitness studio).

Legal Notice

Fitshop GmbH
Europe's No. 1 for home fitness

International Headquarters
Flensburger Straße 55
24837 Schleswig
Germany

Management:
Christian Grau
Sebastian Campmann
Dr. Bernhard Schenkel
No. HRB 1000 SL
Local Court Flensburg
European VAT Number: DE813211547

Disclaimer

© TAURUS is a registered brand of the company Fitshop GmbH. All rights reserved. Any use of this trademark without the explicit written permission of Fitshop is prohibited.

Product and manual are subject to change. Technical data can be changed without advance notice.

FITSHOP

Europe's No.1 for Home Fitness

ABOUT THIS MANUAL

Please carefully read the entire manual before installation and first use. The manual will help you to quickly set up the system and explains how to safely use it. Make sure that all persons exercising with the equipment (especially children and persons with physical, sensory, mental or motor disabilities) are informed about this manual and its contents in advance. In case of doubt, responsible persons must supervise the use of the equipment.

Due to ongoing changes and software optimisations, the manual may have to be updated. If you notice any discrepancies during assembly or use, please refer to the manual uploaded to the webshop. The latest manual is always available there.



This equipment has been manufactured according to the latest safety knowledge. As far as possible, potential safety hazards which could cause injury have been eliminated. Make sure to carefully follow the instructions and that all parts are securely in place. If required, read through the instructions again to correct any mistakes.

Training devices must be classified according to accuracy and use. Accuracy classes are only applicable to devices that display training data.

Accuracy classes

Class A: high accuracy.

Class B: medium accuracy.

Class C: low accuracy.

The use classes explain the intended use of the training device.

Use classes

Class S (studio): professional and/or commercial use.

These training devices are intended for the use in training rooms of facilities such as sports clubs, school facilities, hotels, clubs and studios whose access and supervision is specifically regulated by the owner (person with legal responsibility).

Class H (home use): use at home.

These stationary training devices are intended for the use in private homes where access to the training device is regulated by the owner (person with legal responsibility).

Please pay close attention to the safety and maintenance instructions given here. The contract partner cannot be held liable for damage to health, accidents or damage to the equipment when it is not used in accordance with these instructions.

The following safety instructions may appear in this manual:

► **ATTENTION**

This notice indicates potentially hazardous situations which, if not avoided, may result in property damage.

⚠ **CAUTION**

This notice indicates potentially hazardous situations which, if not avoided, may result in slight or minor injuries!

⚠ **WARNING**

This notice indicates potentially hazardous situations which, if not avoided, may result in death or serious injuries!

⚠ **DANGER**

This notice indicates potentially hazardous situations which, if not avoided, will result in death or serious injuries!

ⓘ **NOTICE**

This notice indicates further useful information.

Retain these instructions in a safe place for future reference, maintenance or when ordering replacement parts.

1.1 Technical Data

Weight and dimensions:

| | |
|--|----------------------------------|
| Article weight (gross, including packaging): | 56kg |
| Article weight (net, without packaging): | 54kg |
| Packaging dimensions (L x W x H): | approx. 118cm x 74.5cm x 27.5 cm |
| Set-up dimensions (L x W x H): | approx. 165cm x 125cm x 93cm |
| Maximum user weight + load: | 230kg |
| Use class: | S |

1.2 Personal Safety

DANGER

- + Before you start using the equipment, you should consult your physician that this type of exercise is suitable for you from a health perspective. Particularly affected are persons who: have a hereditary disposition to high blood pressure or heart disease, are over the age of 45, smoke, have high cholesterol values, are overweight and/or have not exercised regularly in the past year. If you are under medical treatment that affects your heart rate, medical advice is absolutely essential.
- + Note that excessive training can seriously endanger your health. Please also note that heart rate monitoring systems can be inaccurate. If you notice any signs of weakness, nausea, dizziness, pain, shortness of breath, or other abnormal symptoms, stop exercising immediately and seek advice from your doctor if necessary.
- + The owner must communicate all warnings and instructions to the user.

WARNING

- + This equipment may not be used by children under the age of 14.
- + Children should not be allowed unsupervised access to the equipment.
- + Persons with disabilities must have a medical license and must be under strict observation when using the equipment.
- + The equipment is strictly for use by one person at a time.
- + Keep your hands, feet and other body parts, hair, clothing, jewellery and other objects well clear of moving parts.
- + During use, wear suitable sports clothing rather than loose or baggy clothing. When wearing sports shoes, make sure they have suitable soles, preferably made of rubber or other non-slip materials. Shoes with heels, leather soles, studs or spikes are unsuitable. Never exercise barefoot.
- + Always start each workout with a light warm-up and end with a cool-down phase.
- + Using the machine as a support during stretching exercises or attaching resistance bands, ropes or other accessories to it, may cause injuries.

CAUTION

- + If your equipment needs to be connected to the power supply with a mains cable, make sure that the cable is not a potential tripping hazard.
- + Make sure that nobody is within the range of motion of the equipment during training so as not to endanger you or other persons.
- + Be aware that if adjustment devices are left protruding, they may impede the user's movement.

ATTENTION

- + Do not insert any objects of any kind into the openings of the device.

1.3 Set-Up Place

WARNING

- + Do not place the equipment in main corridors or escape routes.

CAUTION

- + Choose a location in which to place the equipment such that there is enough free space/clearance to the front, the rear and to the sides of the equipment.
- + The training room should be well ventilated during training and not be exposed to any draughts.
- + Choose the place in which to set up the equipment such that there is enough free space/clearance to the front, the rear and to the sides of the equipment.
- + The free area in the direction from which the exercise equipment is accessed must be at least 0.6 m larger than the exercise area.
- + The set-up and mounting surface of the equipment should be flat, loadable and solid.
- + If your device is to be mounted on the wall/ceiling, make sure that you use the appropriate assembly material to avoid possible damages or personal injuries. The contractual partner accepts no liability for this.

ATTENTION

- + The device may only be used in one building, in sufficiently tempered and dry rooms (ambient temperatures between 10°C and 35°C). The equipment should not be used outdoors or in rooms with high humidity (over 70%) like swimming pools.
- + A floor protective mat/equipment underlay can help to protect high-quality floor coverings (parquet, laminate, cork, carpets) from dents and sweat and can help to level out slight unevenness.
- + For Class S equipment, the exercise equipment may only be used in areas where access, supervision and control are specifically regulated by the owner.

2.1 General Instructions



DANGER

- + Do not leave any tools, packaging materials such as foils or small parts lying around, as otherwise there is a danger of suffocation for children. Keep children away from the equipment during assembly.



WARNING

- + Pay attention to the instructions attached to the equipment in order to reduce the risk of injuries.



CAUTION

- + Ensure to have sufficient room for movement in each direction during assembly.
- + The assembly of the equipment must be carried out by at least two adults. If in doubt, seek the help of a third technically skilled person.



ATTENTION

- + To prevent damage to the equipment and the floor, assemble the equipment on a mat or packaging board.



NOTICE

- + In order to make the assembly as simple as possible, some screws and nuts to be used can already be pre-assembled.
- + Ideally, assemble the equipment at its later set-up place.

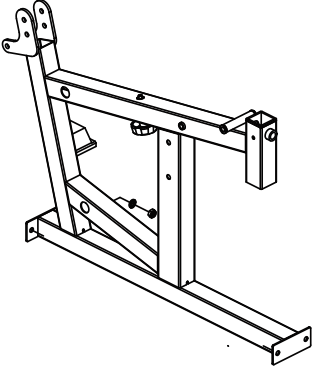
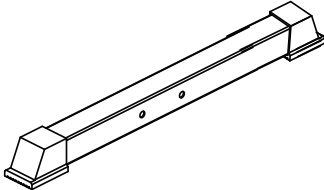
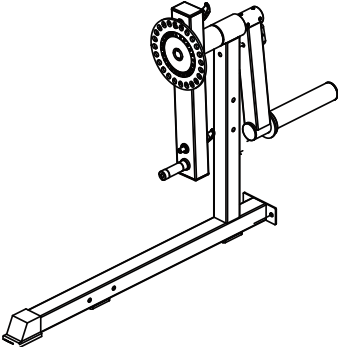
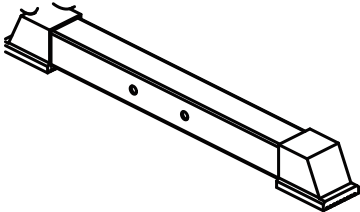
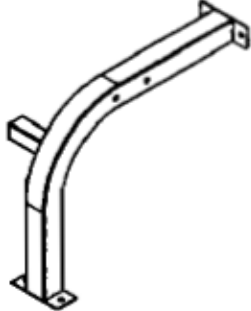
2.2 Scope of Delivery

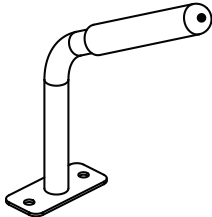
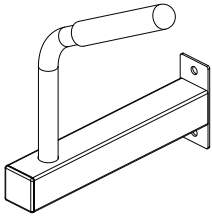
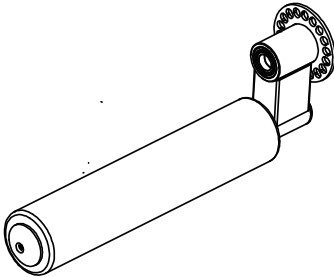

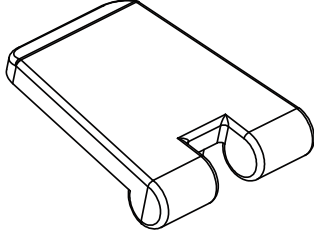
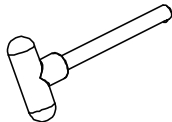
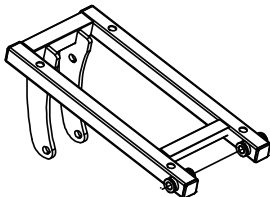
The scope of delivery consist of the following parts. At the beginning, check whether all parts and tools belonging to the device are included in the scope of delivery and whether damage has occurred. In the event of complaints, the contractual partner must be contacted directly.

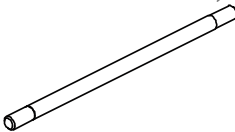
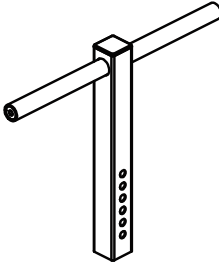
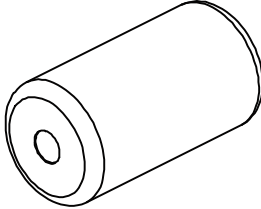


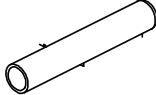
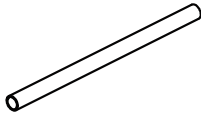
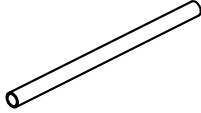



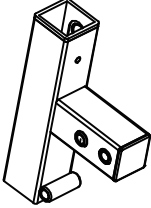
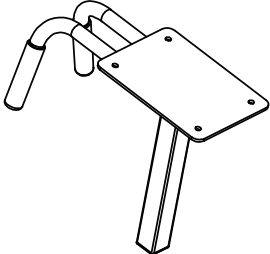
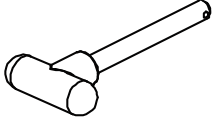
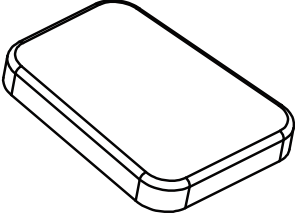
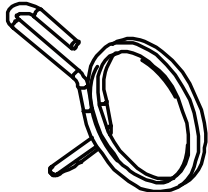
CAUTION

- If parts of the scope of delivery are missing or damaged, the assembly must not be carried out.

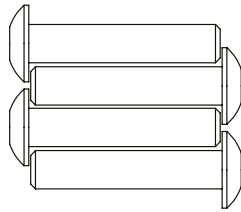
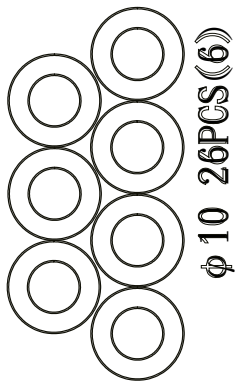
| NO. | PART NAME | QTY. | |
|-----|---------------------------|------|---|
| 1 | Main Frame | 1 |  |
| 2 | Back Ground Tube | 1 |  |
| 3 | Main Frame Foot Swing | 1 |  |
| 4 | Front Lateral Ground Tube | 1 |  |
| 9 | Seat Pad Bent Tube | 1 |  |

| NO. | PART NAME | QTY. | |
|-----|------------------|------|---|
| 10 | Handle | 1 |  |
| 11 | Right Handle | 1 |  |
| 12 | Leg Press Module | 1 |  |
| 14 | Aluminum Cap | 1 |  |
| 15 | Seat Pad | 1 |  |
| 16 | T-shaped Pin | 1 |  |
| 17 | Seat Pad Tube | 1 |  |

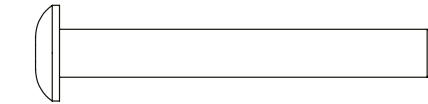
| NO. | PART NAME | QTY. | |
|-----|--------------------------------------|------|---|
| 20 | Seat Pad Shaft Core | 1 |  |
| 21 | Leg Supporting Tube | 1 |  |
| 22 | Foam | 4 |  |
| 23 | Foam Outer Cover | 4 |  |
| 24 | New Foam End Cover Inner | 4 |  |
| 25 | Foot Step Foam Tube Handle Sleeve | 2 |  |
| 26 | Foot Step Foam Tube | 1 |  |
| 27 | Foam Tube Assembly | 1 |  |
| 28 | Plum Pin | 2 |  |

| NO. | PART NAME | QTY. | |
|-----|-----------------------------|------|---|
| 30 | Back Pad Adjusting Assembly | 1 |  |
| 31 | Back Pad Tube | 1 |  |
| 32 | T-shaped Pin | 1 |  |
| 34 | Back Pad | 1 |  |
| 36 | Butterfly Clip | 1 |  |

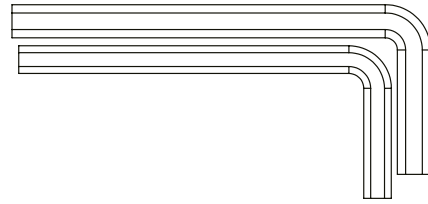
Required tools:



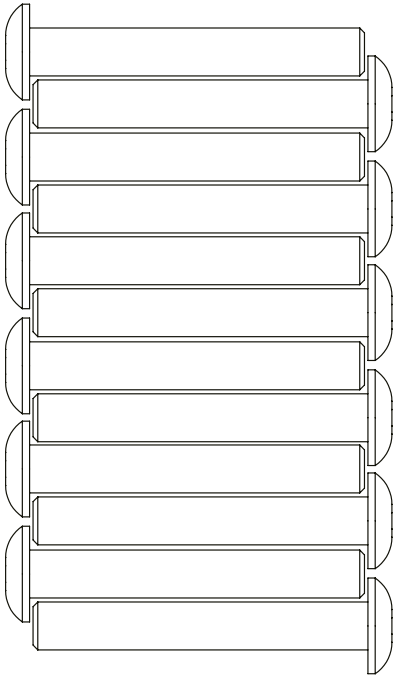
M8*40 4PCS(18)



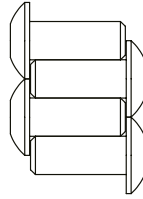
M10*80 1PCS(33)



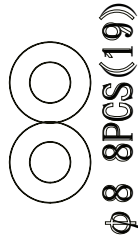
5、6MM 1 PC



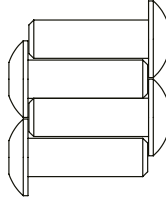
M10*70 12PCS(5)



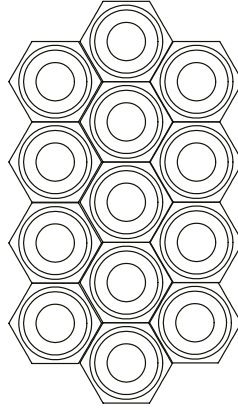
M8*20 4PCS(35)



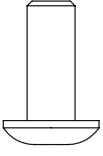
ϕ 8 8PCS(19)



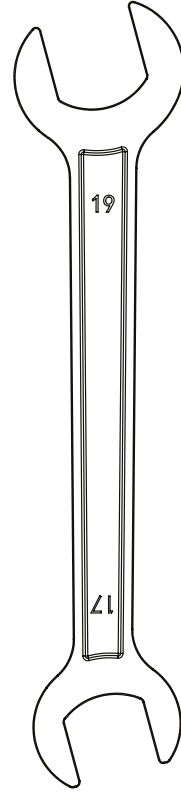
M8*25 4PCS(29)



M10 13PCS(7)



M10*25 1PCS(13)



17-19 2PCS

2.3 Assembly

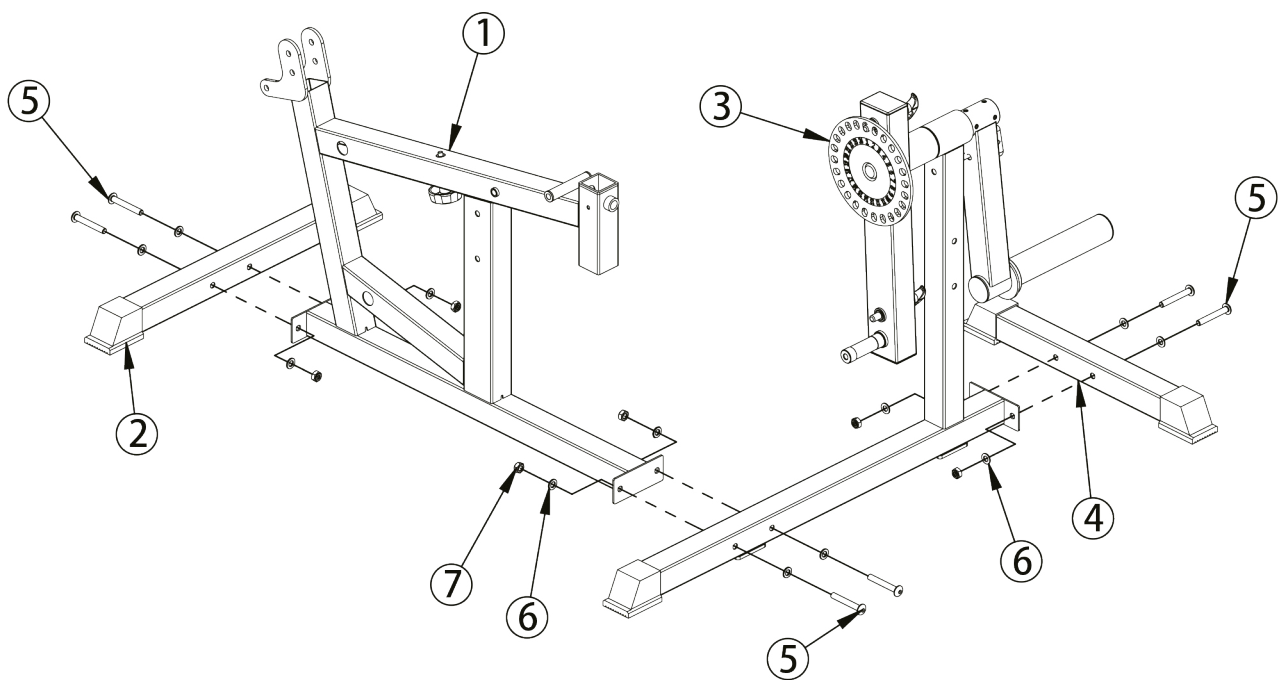
Before assembly, take a close look at the individual assembly steps shown and carry out the assembly in the order given.

① NOTICE

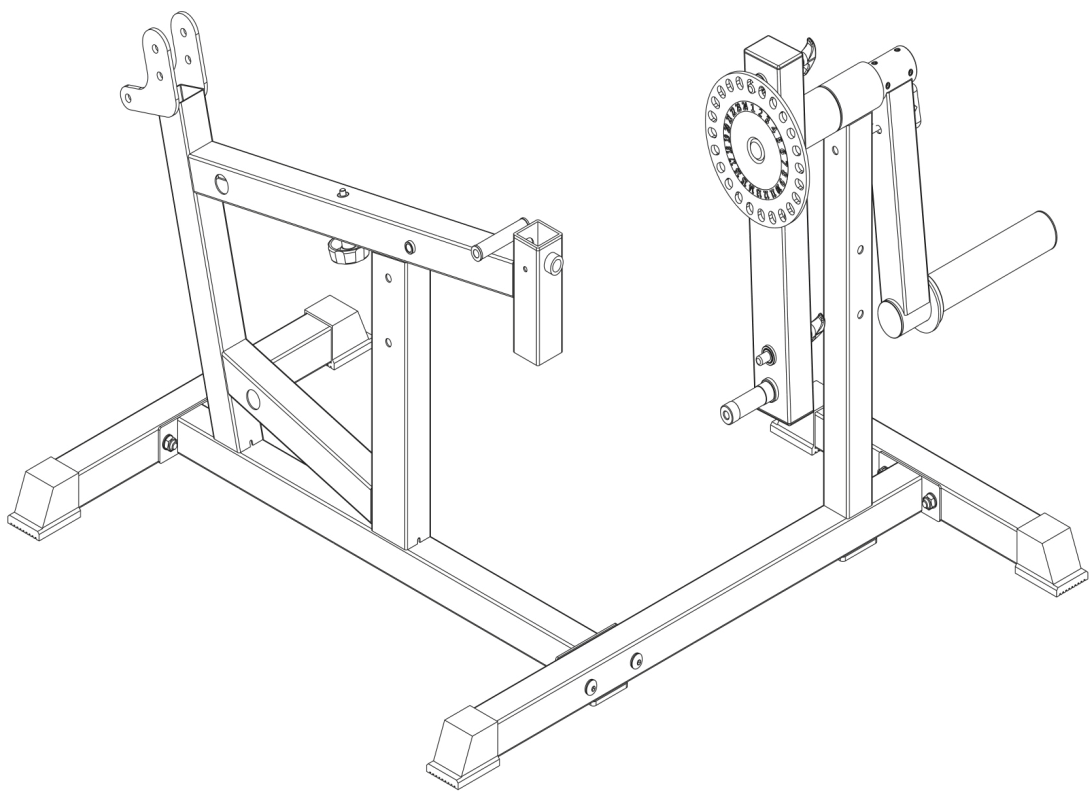
- + First loosely screw all parts together and check that they fit properly. Tighten the screws using the tool only when you are instructed to do so.
- + If you have difficulty recognising the graphics, we recommend that you open and/or download the PDF instructions stored in the webshop on your end device (e.g. smartphone, tablet or PC). There you have the option of zooming in closer. Please note that the Adobe Acrobat Reader programme must be installed on your end device in order to open the file.

Step 1: Assembly of the Frames

1. Assemble the back ground tube (2) onto the main frame (1) with two bolts (5), four washers (6) and two nuts (7).
2. Assemble the main frame foot swing (3) onto the main frame (1) with two bolts (5), four washers (6) and two nuts (7).
3. Assemble the front lateral ground tube (4) onto the main frame foot swing (3) with two bolts (5), four washers (6) and two nuts (7).



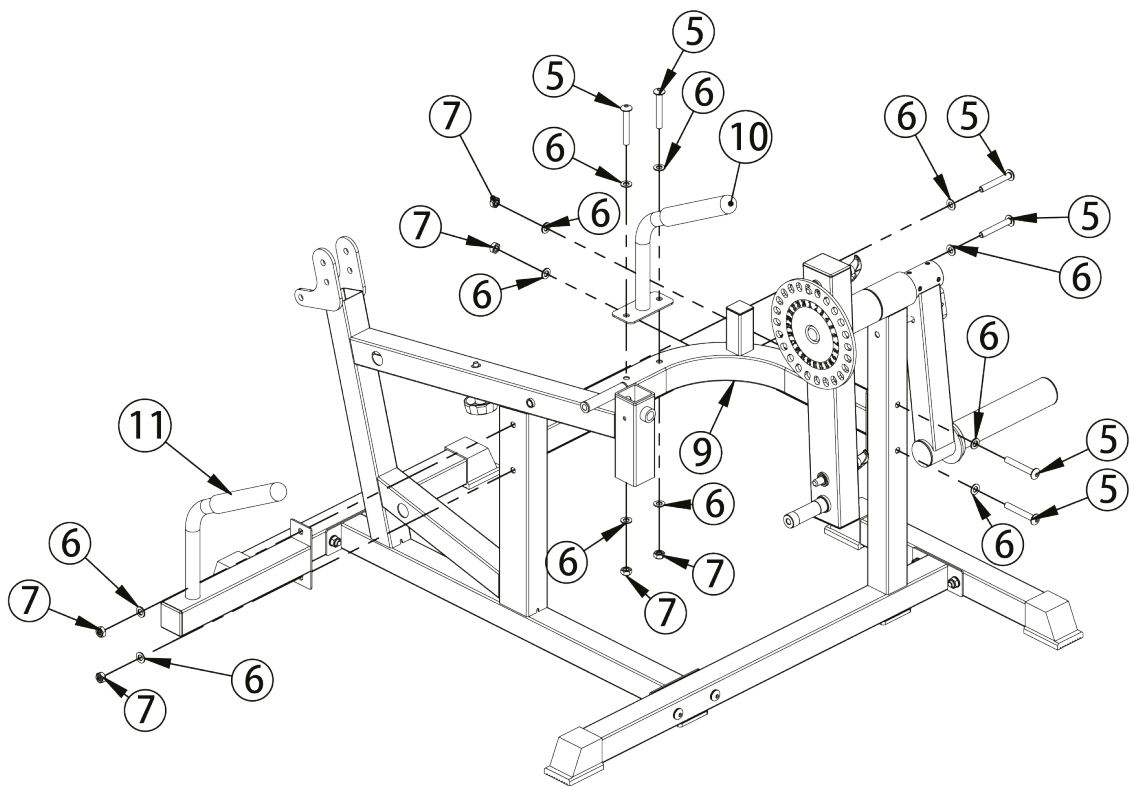
Before assembly



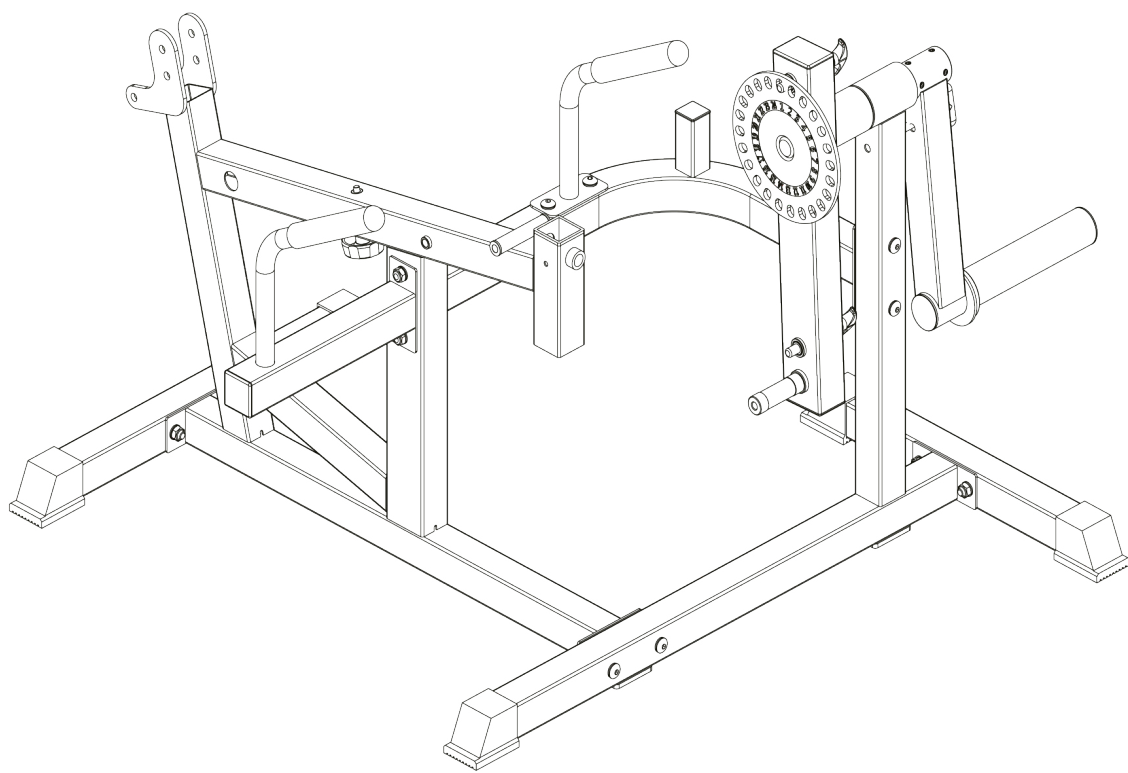
After assembly

Step 2: Assembly of the Seat Tube and Handles

1. Assemble one end of the seat pad bent tube (9) onto the main frame foot swing (3) with two bolts (5), four washers (6) and two nuts (7).
2. Assemble the seat pad bent tube (9) and the right handle (11) onto the main frame (1) with two bolts (5), four washers (6) and two nuts (7).
3. Assemble the handle (10) onto the seat pad bent tube (9) with two bolts (5), four washers (6) and two nuts (7).



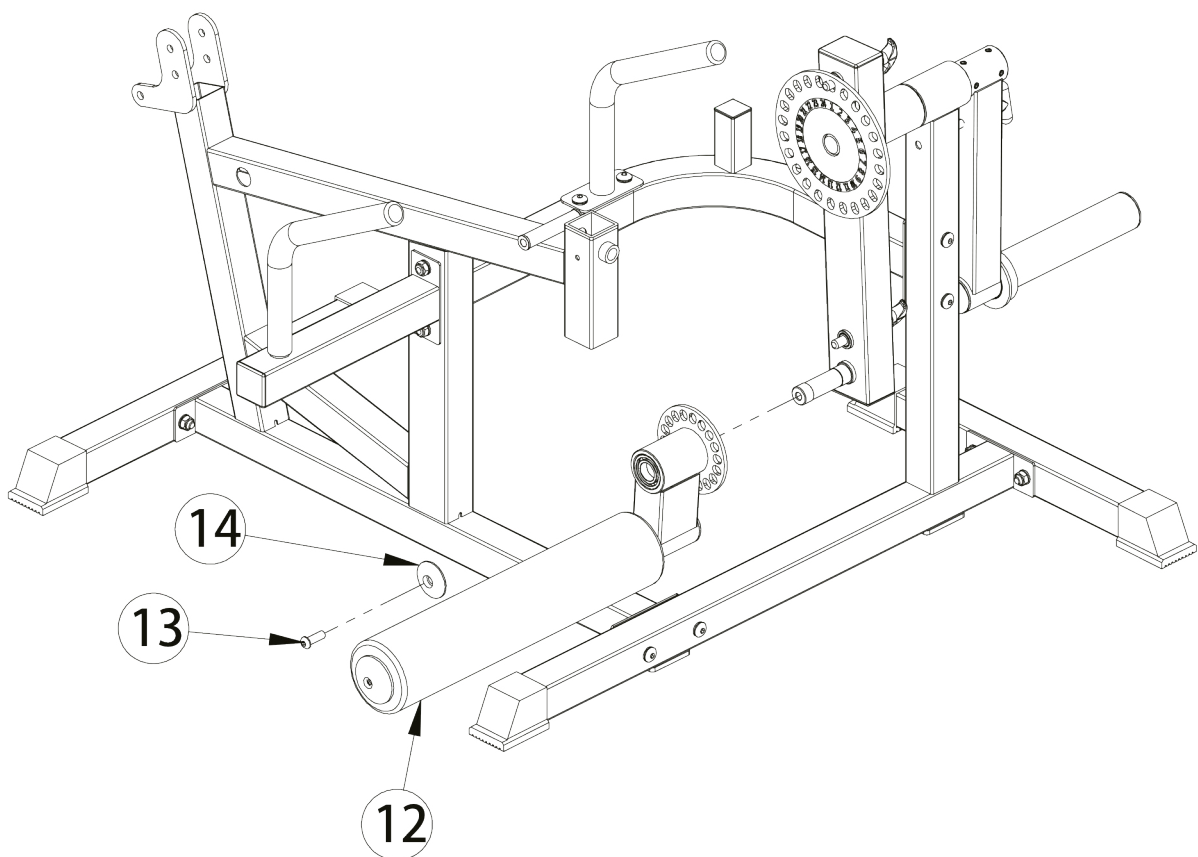
Before assembly



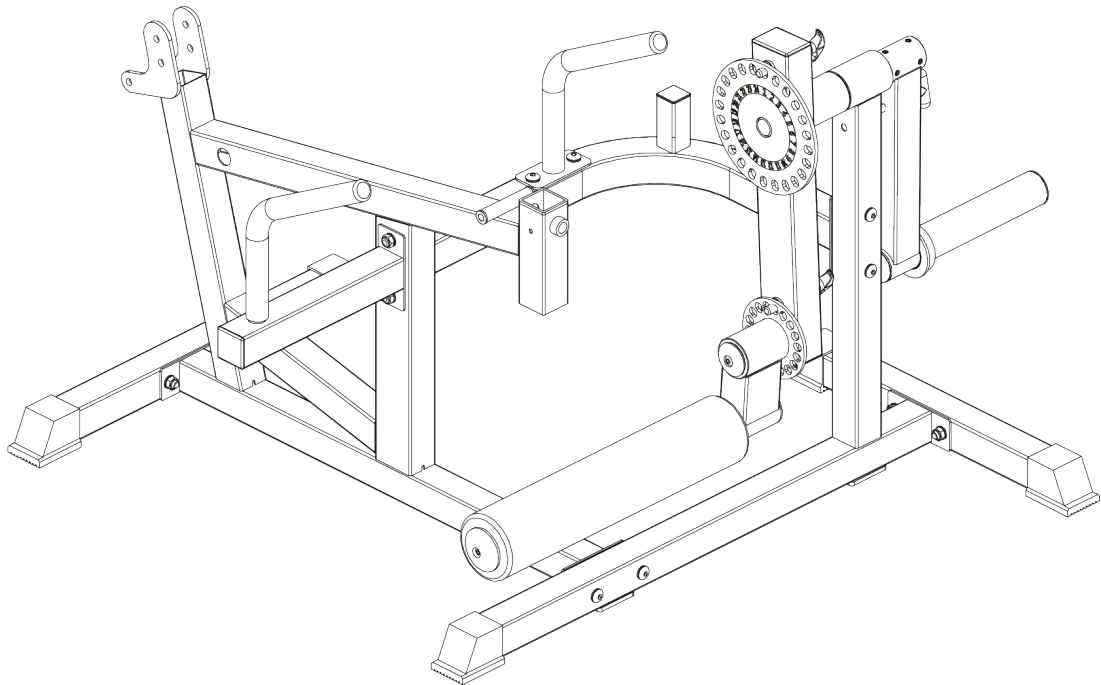
After assembly

Step 3: Assembly of the Leg Press Module

Lock the leg press module (12) onto the main frame foot swing (3) with one aluminum cap (14) and one bolt (13).



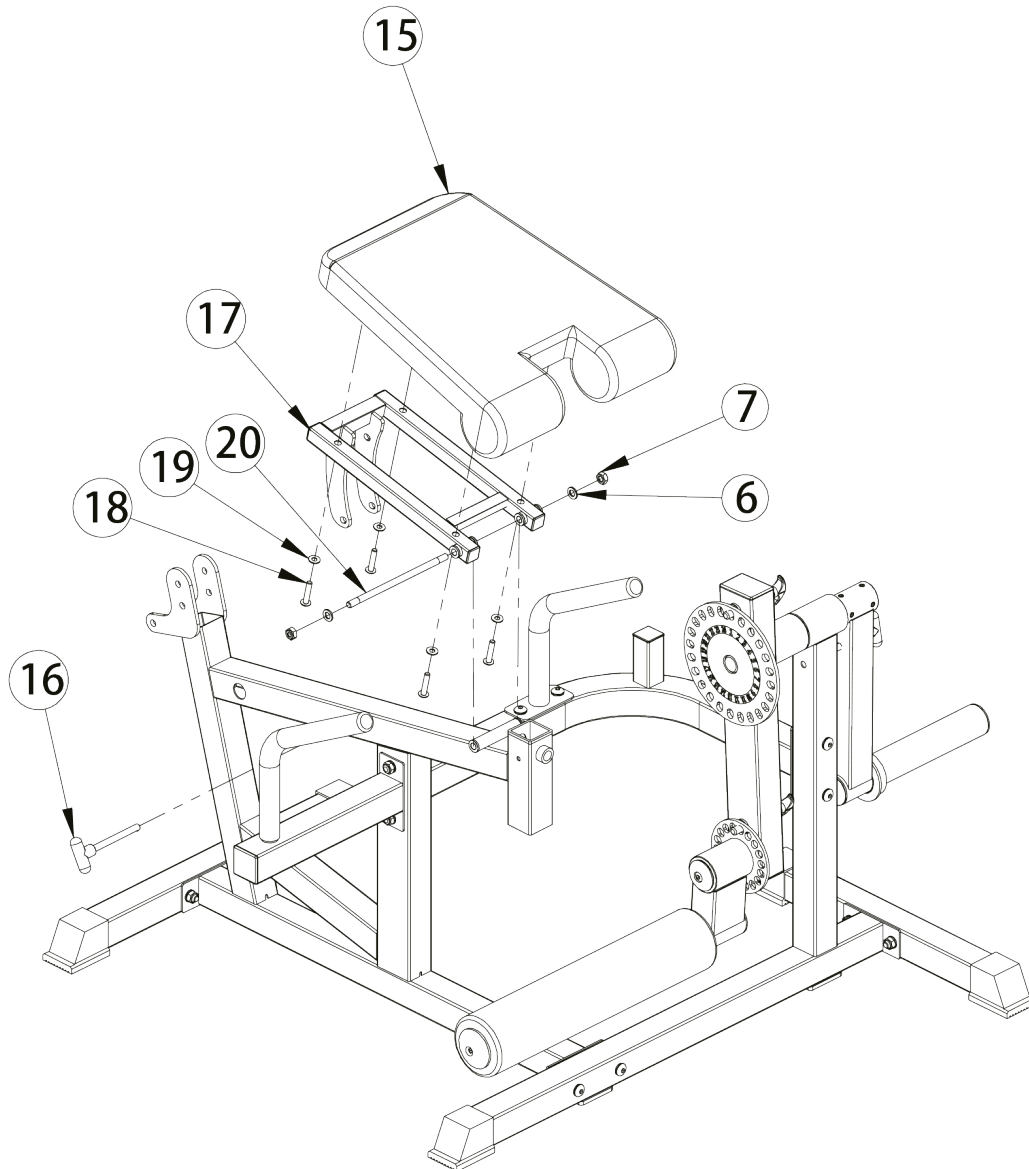
Before assembly



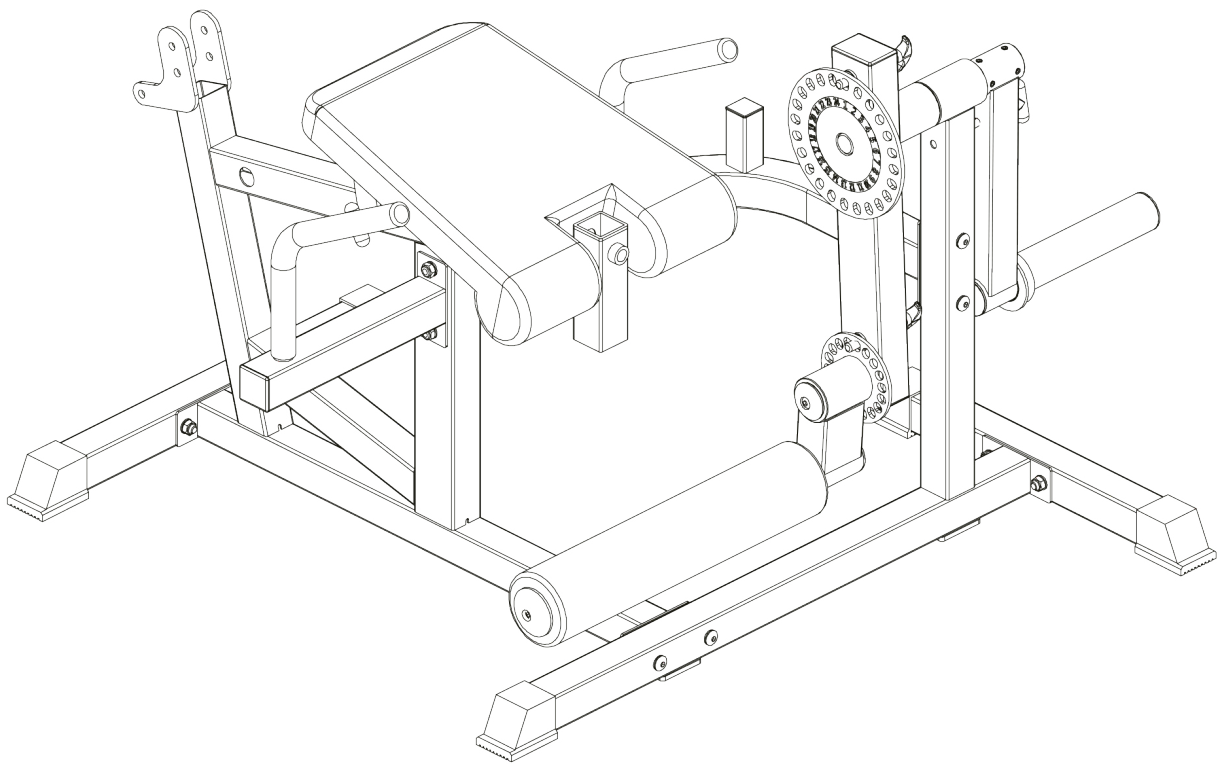
After assembly

Step 4: Assembly of the Seat Pad Tube

1. Disassemble the seat pad shaft core (20), two washers (6) and one nut (7) off the seat pad tube (17).
2. Assemble the seat pad tube (17) onto the main frame (1) with the seat pad shaft core (20), two washers (6) and one nut (7).
3. Assemble the seat pad (15) onto the seat pad tube (17) with one bolt (18) and one washer (19).
4. Insert the T-shaped pin (16) into the seat pad tube (17).



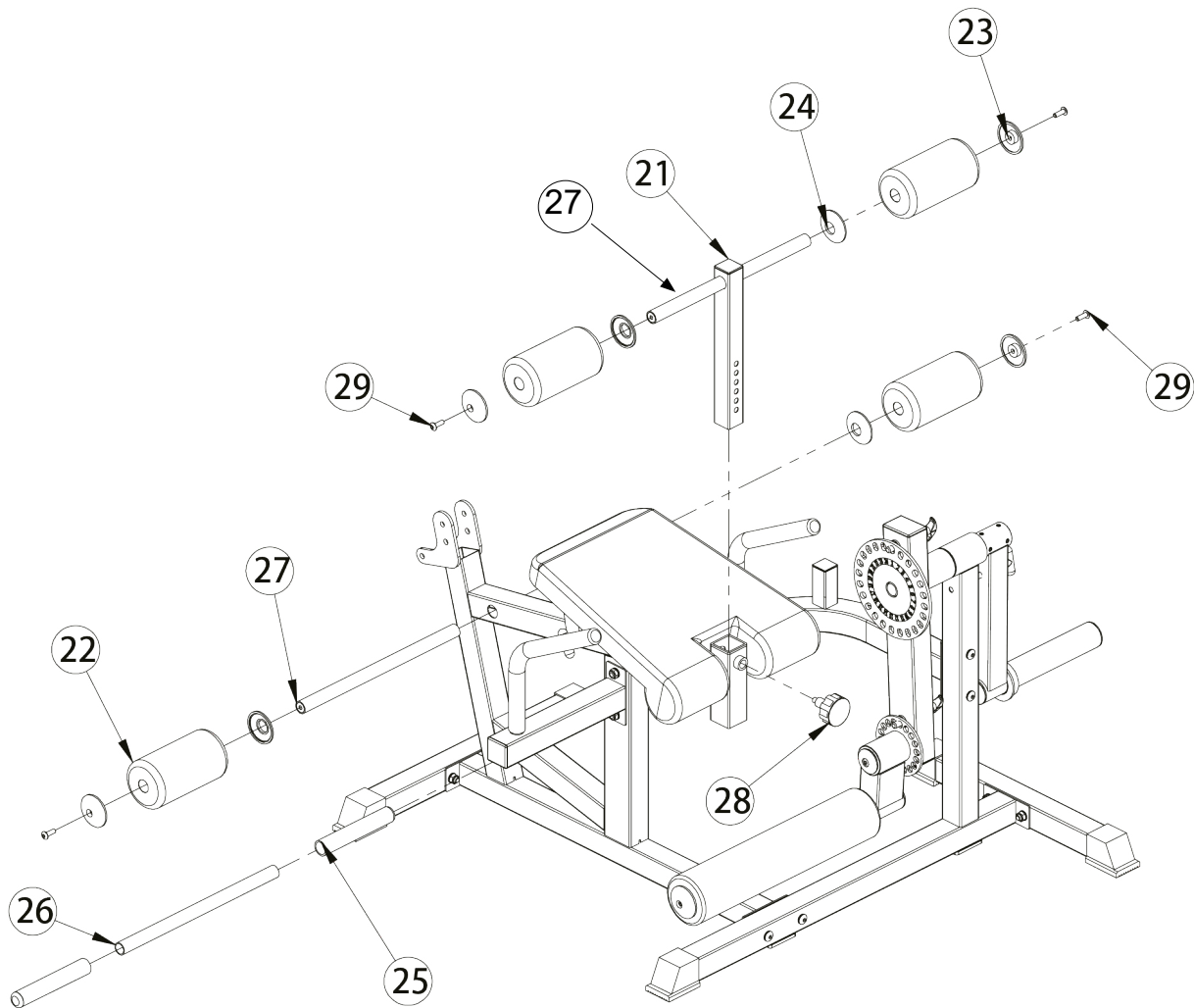
Before assembly



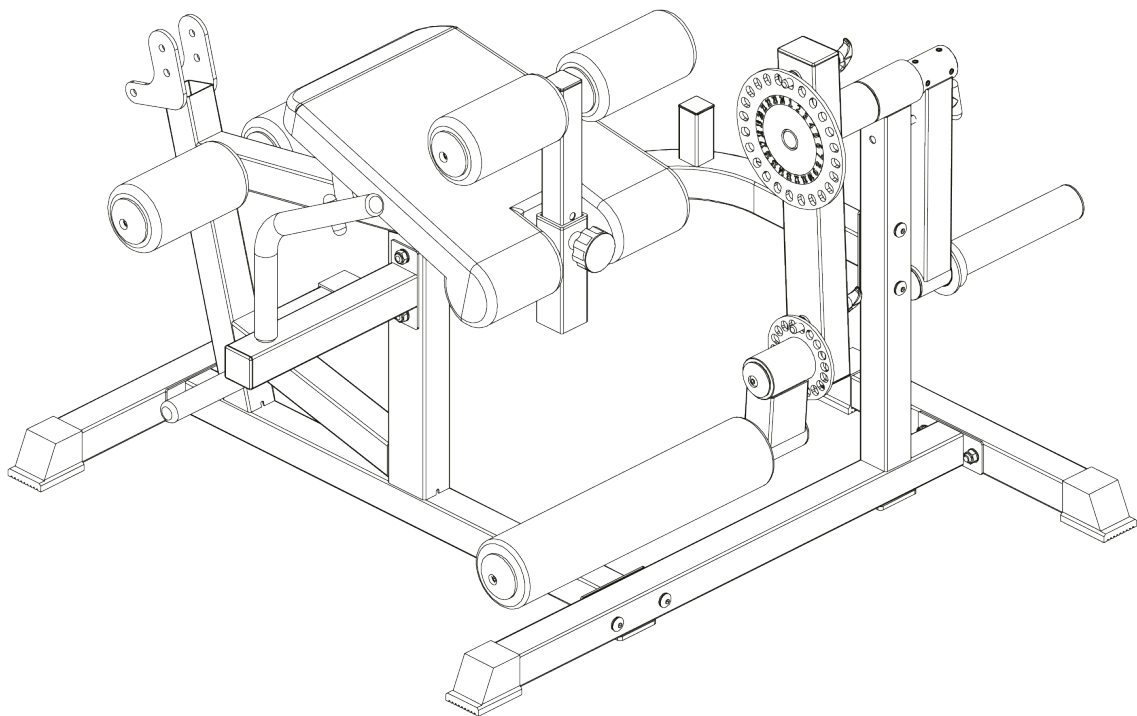
After assembly

Step 5: Assembly of the Tubes and Covers

1. Insert the leg supporting tube (21) into the main frame (1) and lock it with the plum pin (28).
2. Insert the foam tube assembly (27) into the leg supporting tube (21).
3. Attach two new foam end covers inner (24), two foams (22), two foam outer covers (23) and two bolts (29) onto the leg supporting tube (27).
4. Insert the foam tube assembly (27) into the main frame (1).
5. Attach two new foam end covers inner (24), two foams (22), two foam outer covers (23) and two bolts (29) onto the foam tube assembly (27).
6. Insert the foot step foam tube (26) into the bottom of the main frame (1).
7. Cover the ends of the foot step foam tube (26) with two foot step foam tube handle sleeves (25).



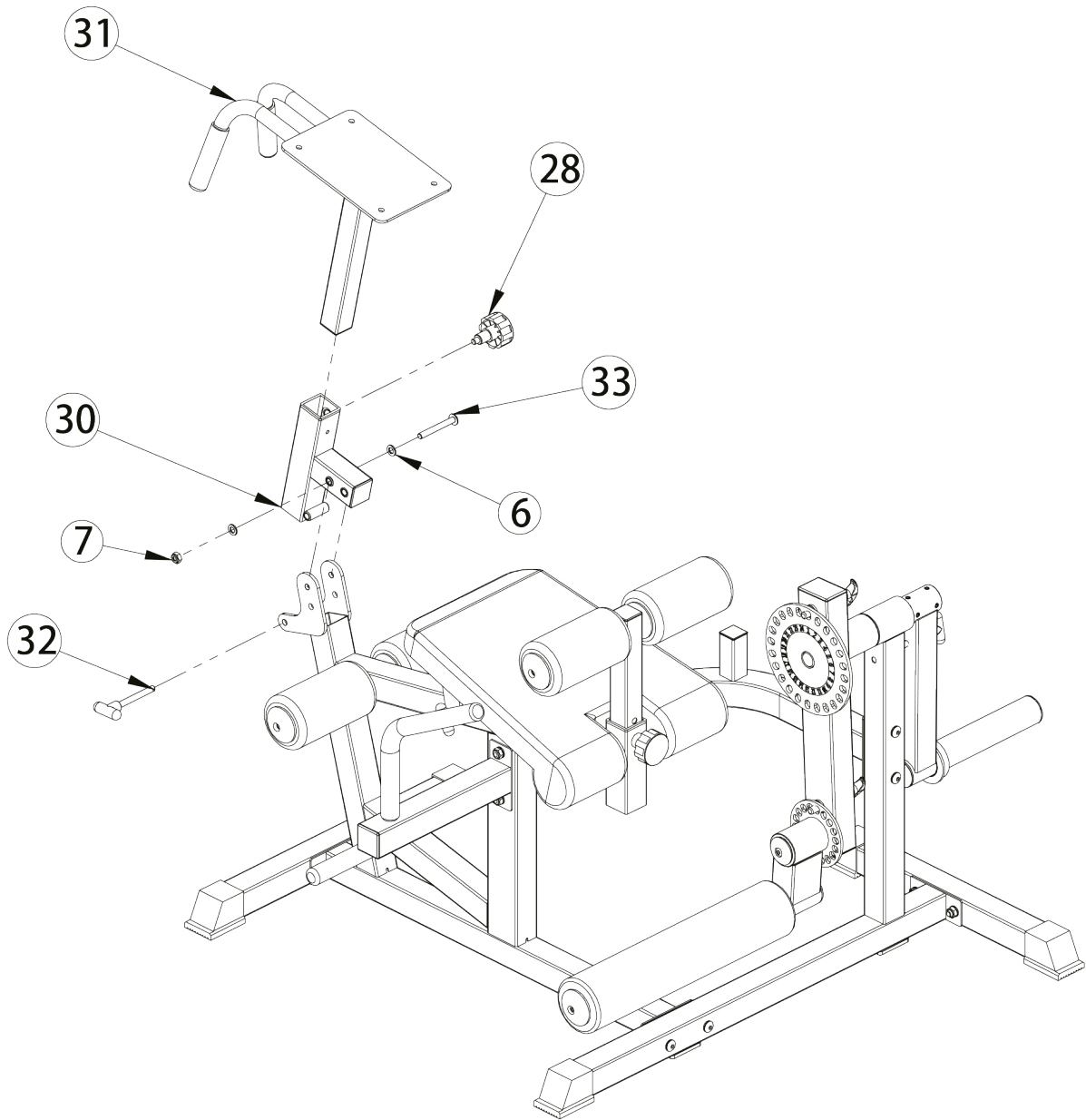
Before assembly



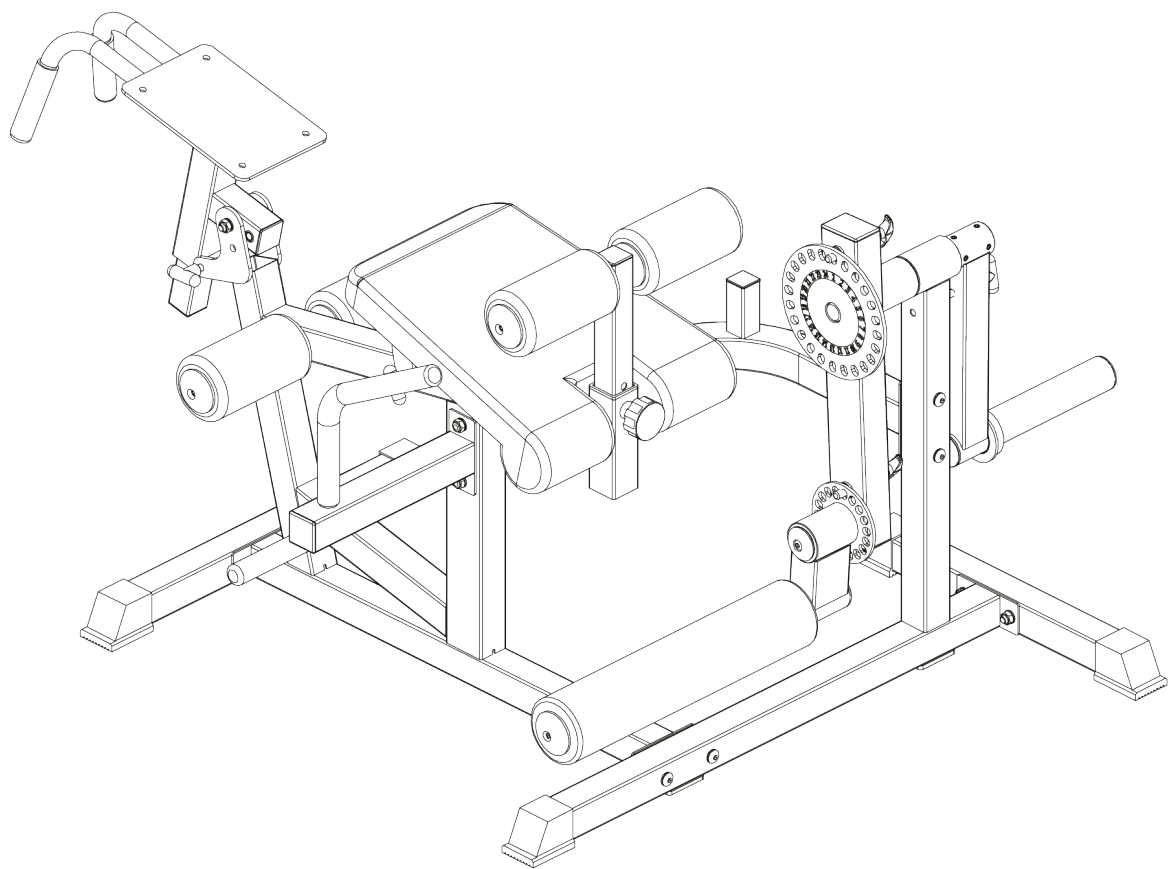
After assembly

Step 6: Assembly of the Back Pad Tube

1. Assemble the back pad adjusting assembly (30) onto the main frame (1) with one bolt (33), two washers (6) and one nut (7).
2. Lock the back pad adjusting assembly (30) with the T-shaped pin (32).
3. Insert the back pad tube (31) into the back pad adjusting assembly (30) and lock with the plum pin (28).



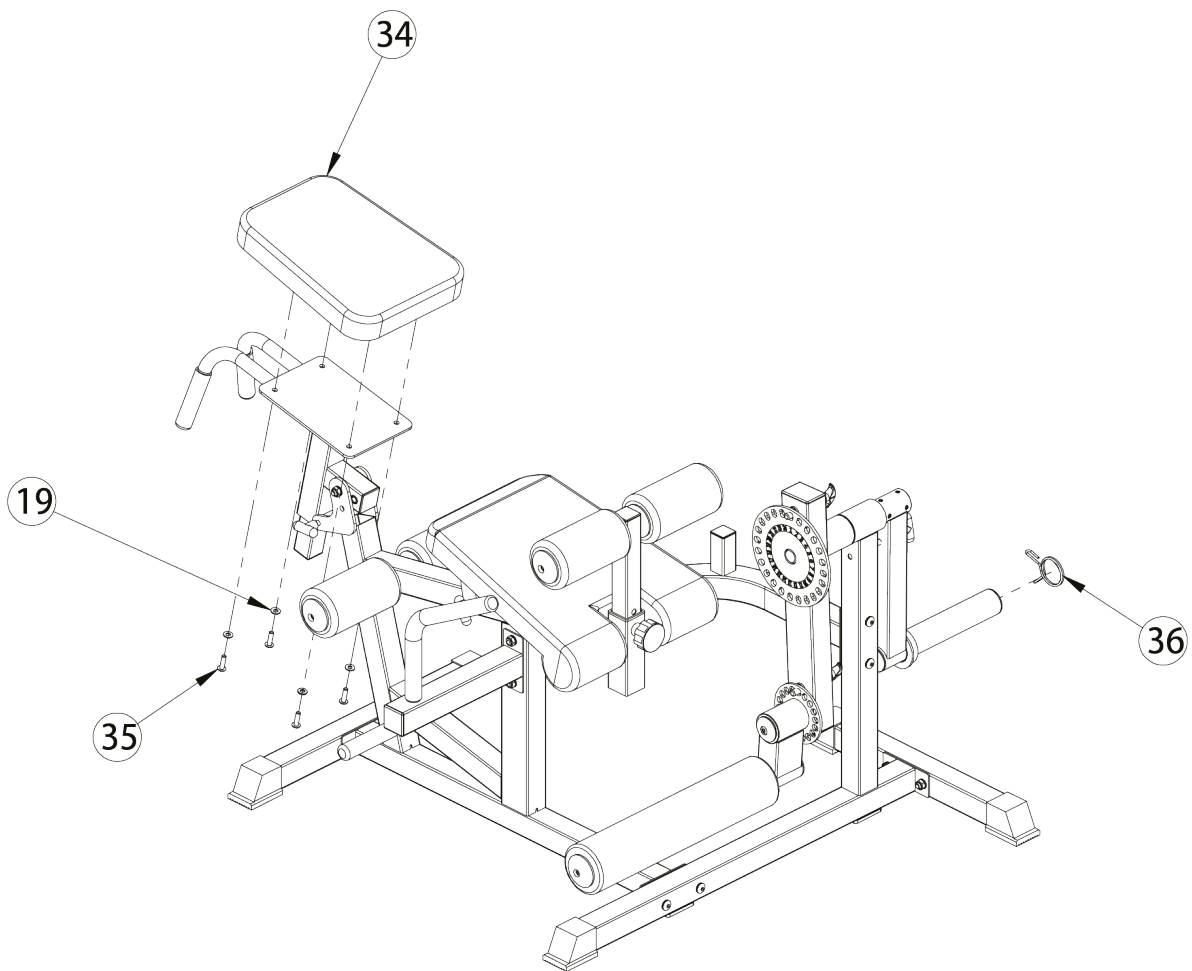
Before assembly



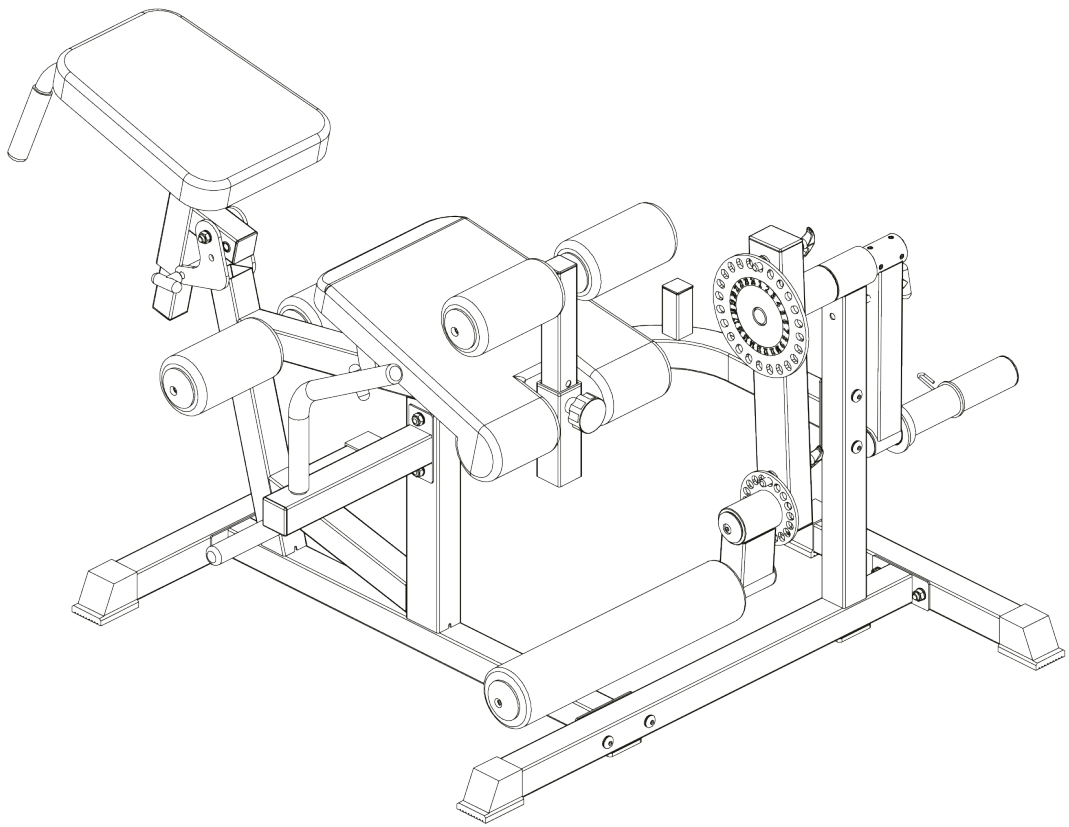
After assembly

Step 7: Assembly of the Back Pad

1. Attach the back pad (34) onto the back pad tube (31) with four bolts (35) and four washers (19).
2. Attach the butterfly clip (36) onto the main frame foot swing (3).
3. Tighten all bolts, nuts and pins.



Before assembly



After assembly

Load and Unload Weight Plates

CAUTION

- + Make sure to always use some sort of weight collar when exercising with external weights.
- + Never store unused weight plates on the floor.
- + Store unused weight plates on a weight rack or respective storage horns.

Adjusting the Seat

a) Tightend the Seat

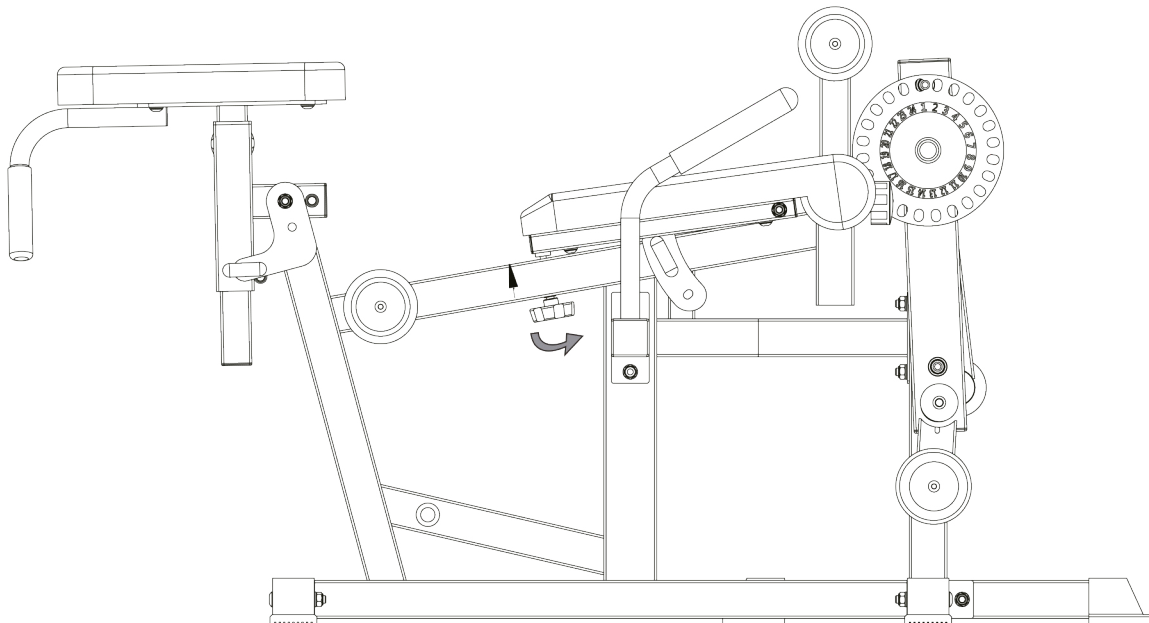
1. Insert the T-shaped pin (16) into the seat pad tube (17).
2. Rotate the rotary knob counterclockwise.

NOTICE

The rotary knob is under the main frame (1).

b) Adust the Angle

1. Rotate the rotary knob halfway out. Rotate the knob clockwise.
2. Pull out the T-shaped pin (16).
3. Adjust the angle of the seat pad (15).



2.4 Workout tips

When training, it is important to perform the exercises correctly in order to avoid injuries and achieve the desired training effect. Make sure you use the correct technique and train at an appropriate intensity level. Always consult an expert such as a trainer or doctor if you are unsure or have health problems. Always start your training with a low load and increase it evenly and gently.

End your training with a cool-down phase. If you have any questions or uncertainties, contact your doctor.

2.4.1 Training clothes

During training, wear appropriate sports clothing that is comfortable and breathable. Avoid clothing that restricts you or is uncomfortable. Make sure that your shoes are suitable and offer you sufficient support. In addition, always carry a towel with you to wipe away sweat and keep the equipment clean.

2.4.2 Warming up and stretching

It is important to warm up and stretch properly before training to avoid injury and improve performance. Stretching helps to loosen muscles and improve flexibility. Be sure to incorporate a short stretching routine before each workout.

Warm-up exercise:

1. Stand upright with your feet about shoulder-width apart.
2. Start with gentle arm circles by slowly moving your arms forwards in small circles in a controlled manner.
3. Perform arm circles backwards to loosen your shoulders and arms.
4. Do squats by slowly squatting down and then straightening up again. Make sure that your knees do not extend beyond your toes.

CAUTION

Do not exercise with sore muscles or take it easy on the affected muscles, as this can lead to injuries.

2.4.3 Medication

If you regularly take medication and want to exercise, it is important to be aware of possible side effects. Ask your doctor whether your medication affects your workout.

2.4.4 Used muscle groups

A training video can be found under the following link: <https://www.fitshop.co.uk/taurus-leg-extension-and-curl-machine-5-in-1-tf-l40>.

To go directly to the training video, you can alternatively scan the QR-code.



The exercises use the following muscle groups:

- + Gluteal muscle
- + Leg muscles
- + Arm muscles
- + Pectoral muscles
- + Back muscles

Make sure you keep your back straight during training. Do not hunch over and do not arch your back. Do not fully extend your legs, but keep a slight bend in the backwards movement.

2.4.5 Exercise frequency

Regular exercise is crucial to making progress and staying healthy in the long term. Continuous exercise can strengthen muscles, improve endurance and enhance overall well-being. Remember that even small workouts can be done regularly to achieve long-term results.

Training with heart rate orientation

Heart rate orientation guarantees an extremely effective and healthy training. Through your age and the following table, you can quickly and easily read and determine the optimal pulse for your training. An acoustic alarm will sound if your heart rate exceeds the set target heart rate. Which target heart rate is important for which training goal can be found out in the following.

Fat burning (weight management): The main goal here is to burn deposits of fat. In order to achieve this training goal, a low training intensity (approximately 55% of the maximum heart rate) and a longer training period are required.

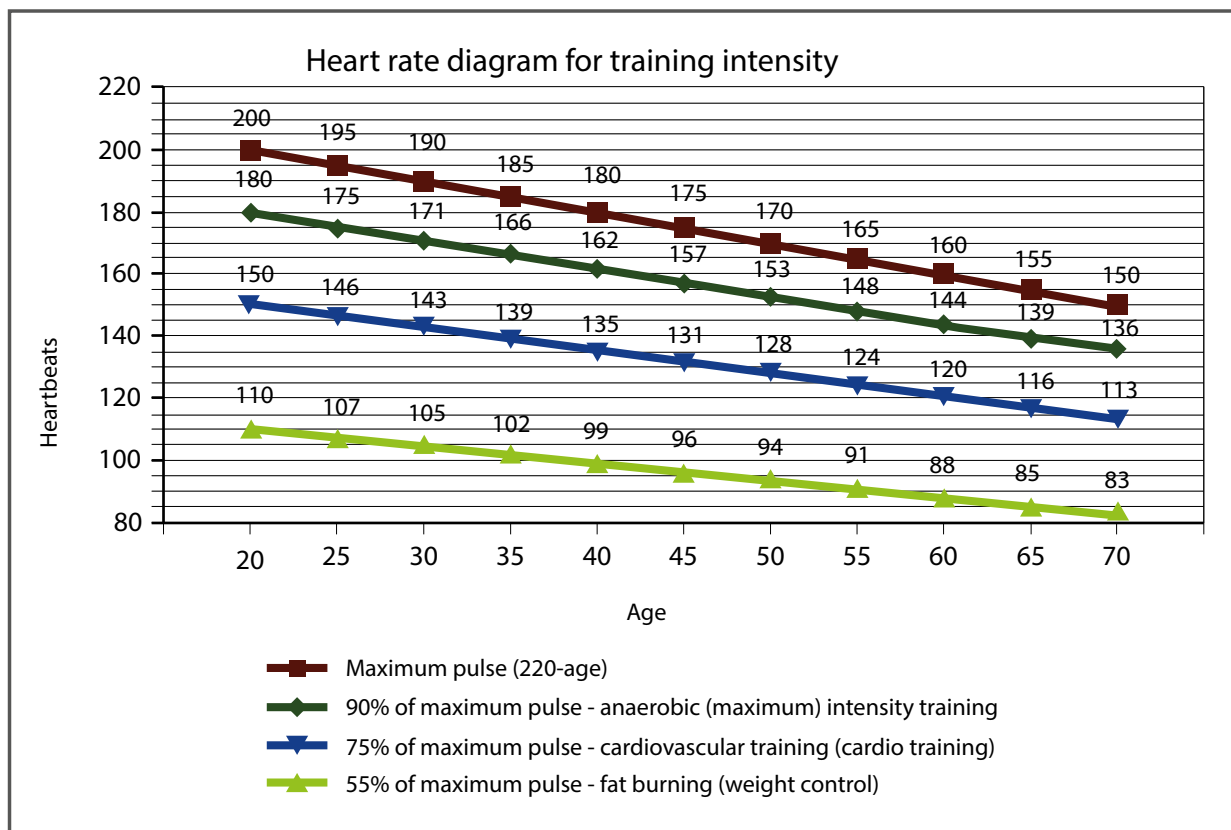
Cardiovascular training (cardio training): The primary goal is to increase stamina and fitness through an improved provision of oxygen through the cardiovascular system. In order to achieve this training goal, medium intensity (approximately 75% of the maximum heart rate) with a medium training period is required.

Anaerobic (maximum) load training: The main goal of maximum load training is to improve recovery after short, intense loads in order to be able to quickly return to the aerobic zone. In order to achieve this training goal, a high intensity (approximately 90% of the maximum heart rate) with short, intense load is required, which is followed by a recovery phase in order to prevent muscle fatigue.

Example:

For a 45-year-old man, the maximum heart rate is 175 ($220 - 45 = 175$).

- + The fat burning target zone (55%) is at approximately 96 beats/min. = $(220 - \text{age}) \times 0.55$.
- + The cardio target zone (75%) is at approximately 131 beats/min. = $(220 - \text{age}) \times 0.75$.
- + The maximum heart rate for an anaerobic load training (90%) is at approximately 157 beats/min. = $(220 - \text{age}) \times 0.9$.



3.1 General Instructions



WARNING

- + The storage location should be chosen so that improper use by third parties or children can be prevented.
- + If your equipment does not have transportation wheels, the equipment must be disassembled before transportation.



ATTENTION

- + Make sure that the equipment is protected from moisture, dust and dirt in the selected storage location. The storage location should be dry and well ventilated and have a constant ambient temperature between 10°C and 35°C.

4.1 General Instructions



WARNING

- + Do not make any improper changes to the equipment.



CAUTION

- + Damaged or worn components may affect your safety and the life of the equipment. Therefore, immediately replace damaged or worn components. In such a case, contact the contract partner. The equipment must not be used until it has been repaired. If necessary, use only original spare parts.



ATTENTION

- + In addition to the instructions and recommendations for maintenance and care given here, additional service and/or repair work may be necessary; this must only be carried out by authorised service technicians.

4.2 Faults and Fault Diagnosis

The equipment undergoes regular quality controls during production. Nevertheless, faults or malfunctions may occur. Frequently, individual parts are responsible for these disturbances, an exchange is usually sufficient. Please refer to the following overview for the most common errors and how to correct them. If the equipment still does not function properly, contact your contract partner.

| Fault | Cause | Solution |
|-----------------------------|--|---|
| Squeaking & cracking noises | Screw connections loosened or too tight | + Check or lubricate screw connections* |
| Unit wobbles | + Uneven ground + Loose screw connections | + Align unit + Tighten screw connections |

* With a grease-free silicone oil or silicone spray.

4.3 Maintenance and Inspection Calendar

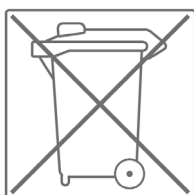
To avoid damage from body sweat, the equipment must be cleaned with a damp towel (no solvents!) after each training session.

The following routine tasks must be performed at the specified intervals:

| Part | Weekly | Monthly | Quarterly |
|--------------------------------|--------|---------|-----------|
| Screw connections | | I | |
| Cushions | C | | |
| Legend: C = clean; I = inspect | | | |

5 DISPOSAL

At the end of its operational life, this equipment cannot be disposed of in normal household waste. Instead, it must be disposed of via a recycling centre. Further information can be obtained from your local authority's recycling service.

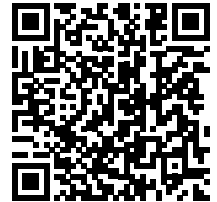


The materials can be recycled as per their symbols. Through the reuse, recycling of materials or other forms of recovery of old equipment, you make an important contribution to the protection of the environment.

6 RECOMMENDED ACCESSORIES

To make your training experience even more efficient and pleasant, we recommend that you add suiting accessories to your fitness equipment. For training equipment like smith machines, weight benches or racks this could for example be a **floor mat**, which makes your fitness equipment stand more securely and also protects the floor from sweat but it could be also **additional weights, handles, foot straps** for leg exercises or **triceps ropes**. For some smith machines, there are also optional add-ons such as **leg presses** that make your workout even more intense and comprehensive.

Our range of accessories offers the highest quality and makes training even better. If you would like to find out more about compatible accessories, please go to the detail page of the product in our webshop (the easiest way is to enter the article number in the search field above) and go to the recommended accessories on this page. Alternatively, you can use the QR-code provided. Of course, you can also contact our customer service: by telephone, e-mail, in one of our branches or via our social media channels. We will be happy to advise you!



floor mat



chest strap



tricep and curl bar



triceps rope

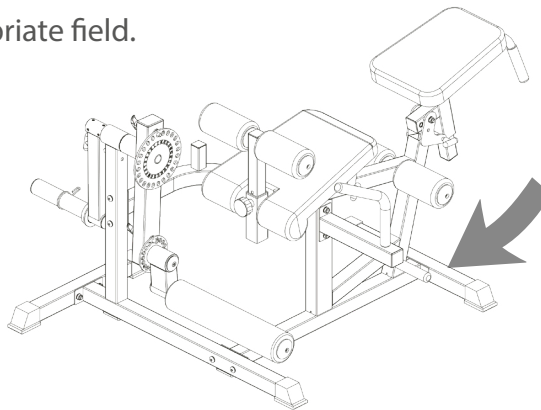
7.1 Serial Number and Model Name

In order to provide you with the best possible service, please have the model name, article number, serial number, exploded drawing and parts list ready. The corresponding contact options can be found in chapter 9 of this operating manual.

NOTICE

The serial number of your equipment is unique. It's located on a white sticker. The exact position of this sticker is shown in the following illustration.

Enter the serial number in the appropriate field.



Serial number:

Brand / Category:

Model Name:

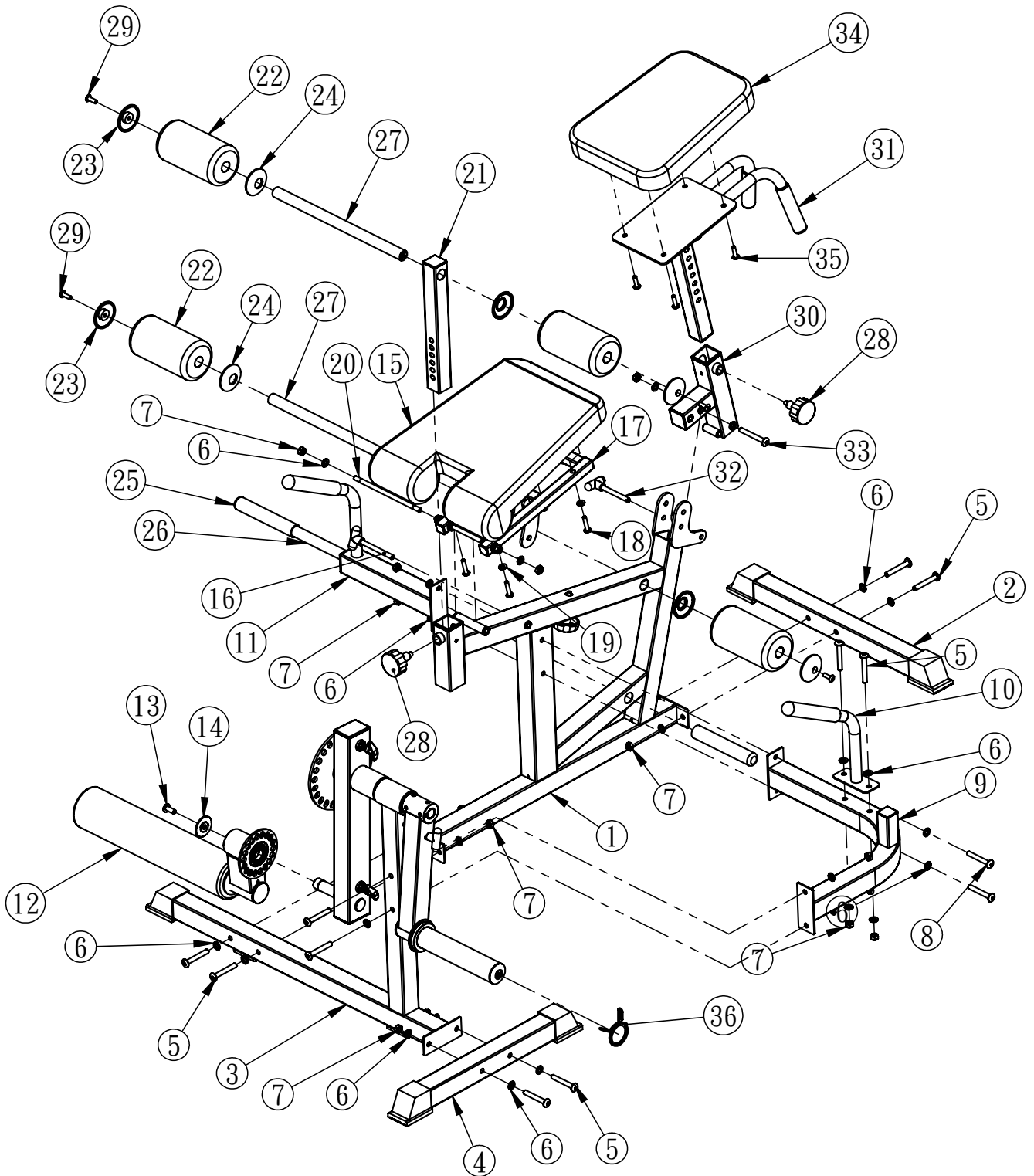
SKU:

7.2 Parts List

| No. | Name | Supplier Parts No. | Specification | Qty. |
|-----|--------------------------------------|--------------------|---------------|------|
| 1 | Main Frame | Assembly Part | | 1 |
| 2 | Back Ground Tube | Assembly Part | | 1 |
| 3 | Main Frame Foot Swing | Assembly Part | | 1 |
| 4 | Front Lateral Ground Tube | Assembly Part | | 1 |
| 5 | Inner Hexagonal Flat Round Head Bolt | M10X70 | | 12 |
| 6 | Washer | Φ10 | | 28 |
| 7 | Lock Nut | M10 | | 15 |
| 9 | Seat Pad Bent Tube | Assembly Part | | 1 |
| 10 | Handle | Assembly Part | | 1 |
| 11 | Right Handle | Assembly Part | | 1 |
| 12 | Leg Press Module | Assembly Part | | 1 |
| 13 | Inner Hexagonal Flat Round Head Bolt | M10*25 | | 1 |
| 14 | Aluminum Cap | Φ50*Φ24*Φ11*9.5 | | 1 |
| 15 | Seat Pad | Assembly Part | | 1 |
| 16 | T-shaped Pin | Φ10*100 | | 1 |
| 17 | Seat Pad Tube | Assembly Part | | 1 |
| 18 | Inner Hexagonal Flat Round Head Bolt | M8X40 | | 4 |
| 19 | Washer | Φ8 | | 8 |
| 20 | Seat Pad Shaft Core | Φ10*211 | | 1 |
| 21 | Leg Supporting Tube | Assembly Part | | 1 |
| 22 | Foam | Assembly Part | | 4 |
| 23 | Foam Outer Cover | Assembly Part | | 4 |
| 24 | New Foam End Cover Inner | Assembly Part | | 4 |
| 25 | Foot Step Foam Tube Handle Sleeve | φ25*185 | | 2 |
| 26 | Foot Step Foam Tube | Φ25*410 | | 1 |
| 27 | Foam Tube Assembly | Φ25*410 | | 2 |
| 28 | Plum Pin | For Φ10 Shaft | | 2 |
| 29 | Inner Hexagonal Flat Round Head Bolt | M8*25 | | 4 |

| | | | |
|----|--------------------------------------|---------------|---|
| 30 | Back Pad Adjusting Assembly | Assembly Part | 1 |
| 31 | Back Pad Tube | Assembly Part | 1 |
| 32 | T-shaped Pin | Φ10*85 | 1 |
| 33 | Inner Hexagonal Flat Round Head Bolt | M10*80 | 1 |
| 34 | Back Pad | Assembly Part | 1 |
| 35 | Inner Hexagonal Flat Round Head Bolt | M8X20 | 4 |
| 36 | Butterfly Clip | Assembly Part | 1 |

7.3 Exploded Drawing



Products from TAURUS® are subject to strict quality control. However, if a fitness equipment purchased from us does not work perfectly, we take it very seriously and ask you to contact our customer service as indicated. We are happy to help you by phone via our service hotline.

Error Descriptions

Your fitness equipment is developed for long-term, high-quality training. However, should a problem arise, please first read the operating instructions. For further assistance, please contact your contract partner or call our service hotline. To ensure your problem is solved as quickly as possible, please describe the defect as exactly as possible.

In addition to the statutory warranty, we provide a warranty for every fitness equipment purchased from us according to the following provisions.

Your statutory rights are not affected.

Warranty

The warranty is the first/original buyer.

Warranty periods

The following warranty periods begin on delivery of the fitness equipment.

Warranty period

The warranty periods, shown on our web shop, begin on delivery of the fitness equipment. The respective warranty periods for your equipment can be found on its product website.

Repair Costs

According to our choice, there will either be a repair, a replacement of individual damaged parts or a complete replacement. Spare parts, that have to be mounted while assembling the equipment, have to be replaced by the warranty holder personally and are not a part of repair. After the expiration of the warranty period, the responsibility for parts costs, repair costs, installation costs and delivery costs lies with the warranty holder.

The terms of use are defined as follows:

- + Home use: solely for private use in private households up to 3 hours per day
- + Semi-professional use: up to 6 hours per day (e. g. rehabilitation centres, hotels, clubs, company gyms)
- + Professional use: more than 6 hours per day (e. g. commercial gyms)

Warranty Service

Within the warranty period, equipment which develops faults as a result of material or manufacturing defects, will be repaired or replaced at our discretion. Ownership of equipment or parts of equipment which have been replaced is transferred to us. The warranty period is not extended nor does a new warranty period begin following repair or replacement under the warranty.

Warranty Conditions

For the warranty to be valid, the following steps must be taken:

Please contact our customer service by email or phone. If the product under warranty has to be sent in for repair, the seller bears costs. After expiry of the warranty, the buyer bears the costs of transport and insurance. If the fault is covered by our warranty, you will receive a new or repaired equipment in return.

Warranty claims are invalid in case of damage resulting from:

- + misuse or improper handling
- + environmental influences (moisture, heat, electrical surge, dust, etc.)
- + failure to follow the current safety measures for the equipment
- + failure to follow the operating instructions
- + use of force (e. g. hitting, kicking, falling)
- + interventions which were not carried out by one of our authorized service centres
- + unauthorised repair attempts

Proof of Purchase and Serial Number

Please make sure that you are able to provide the appropriate receipt when claiming on your warranty. So that we can clearly identify the model of your equipment, and for the purposes of our quality control, you will need to give the serial number of your equipment, when contacting the service team. Where possible please have your serial number and your customer number ready when you call our service hotline. It will help us to deal with your request swiftly.

If you cannot find the serial number on your fitness equipment, our service team is at your disposal to offer further information.







































Service outside of the Warranty Period

We are also happy to issue an individual cost estimate if there is a problem with your fitness equipment after the warranty has expired, or in cases which do not fall under the terms of the warranty, e. g. normal wear and tear. Please contact our customer service team to find a quick and cost-effective solution to your problem. In such a case you will be responsible for the delivery costs.

Communication

Many problems can be solved just by speaking to us as your specialist supplier. We know how important it is to you as a user of the fitness equipment to have problems solved quickly and simply, so you can enjoy working out with minimal interruption. For that reason, we also want to resolve your queries quickly and in a straightforward manner. Thus, please always keep your customer number and the serial number of the faulty equipment handy.

9 CONTACT

| DE | DK | UK |
|--|---|--|
| <p>TECHNIK</p> <p> +49 4621 4210-900</p> <p> +49 4621 4210-698</p> <p> technik@fitshop.de</p> <p> Öffnungszeiten entnehmen Sie unserer Homepage.</p> <p>SERVICE</p> <p> 0800 20 20277 (kostenlos)</p> <p> 04621 4210 - 0</p> <p> info@fitshop.de</p> <p> Öffnungszeiten entnehmen Sie unserer Homepage: https://stg.fit/statita</p> | <p>TEKNIK OG SERVICE</p> <p> 80 90 16 50</p> <p>+49 4621 4210-945</p> <p> info@fitshop.dk</p> <p> Åbningstider kan findes på hjemmesiden: https://stg.fit/statit7</p> <p>FR</p> <p>TECHNIQUE & SERVICE</p> <p> +33 (0) 189 530984</p> <p>+49 4621 42 10 933</p> <p> info@fitshop.fr</p> <p> Vous trouverez les heures d'ouverture sur notre site Internet: https://stg.fit/statit4</p> | <p>CUSTOMER CARE</p> <p> +44 141 737 2249 or +44 141 876 3972</p> <p> customer@fitshop.co.uk</p> <p> You can find the opening hours on our homepage: https://stg.fit/statitd</p> <p>BE</p> <p>TECHNIQUE & SERVICE</p> <p> 02 732 46 77</p> <p>+49 4621 4210 933</p> <p> info@fitshop.be</p> <p> Vous trouverez les heures d'ouverture sur notre site Internet: https://stg.fit/statit8</p> |
| ES | NL | INT |
| <p>TECNOLOGÍA Y SERVICIOS</p> <p> 911 238 029</p> <p> info@fitshop.es</p> <p> Consulta nuestro horario de apertura en la página web: https://stg.fit/statit5</p> | <p>TECHNISCHE DIENST & SERVICE</p> <p> +31 172 619961</p> <p> service@fitshop.nl</p> <p> De openingstijden vindt u op onze homepage: https://stg.fit/statit3</p> | <p>TECHNICAL SUPPORT & SERVICE</p> <p> +49 4621 4210-944</p> <p> service-int@fitshop.de</p> <p> You can find the opening hours on our homepage: https://stg.fit/statita</p> |
| PL | AT | CH |
| <p>DZIAŁ TECHNICZNY I SERWIS</p> <p> 22 307 43 21</p> <p>+49 4621 42 10-948</p> <p> info@fitshop.pl</p> <p> Godziny otwarcia można znaleźć na stronie głównej: https://stg.fit/statit6</p> | <p>TECHNIK & SERVICE</p> <p> 0800 20 20277 (Freecall)</p> <p>+49 4621 42 10-0</p> <p> info@fitshop.at</p> <p> Öffnungszeiten entnehmen Sie unserer Homepage: https://stg.fit/statitb</p> | <p>TECHNIK & SERVICE</p> <p> 0800 202 027</p> <p>+49 4621 42 10-0</p> <p> info@fitshop.ch</p> <p> Öffnungszeiten entnehmen Sie unserer Homepage: https://stg.fit/statit9</p> |

Please find a detailed overview including address and opening hours for all stores of Fitshop UK on the following website:

www.fitshop.co.uk/storelocator

WE LIVE FITNESS

WEBSHOP AND SOCIAL MEDIA

The Fitshop Group is Europe's largest specialist for home fitness equipment with currently 70 stores and one of the world's most renowned online mail order companies for fitness equipment.

Fitshop UK is part of the Fitshop Group. Private customers order via the 25 web shops in the respective national language or have their desired equipment assembled on site. In addition, the company supplies fitness studios, hotels, sports clubs, companies and physio practices with professional equipment for endurance and strength training.

The Fitshop group offers a wide range of fitness equipment from renowned manufacturers, high-quality in-house developments and comprehensive services, such as a build-up service and sports scientific advice before and after the purchase. The company employs numerous sports scientists, fitness trainers and competitive athletes.

Visit us also on our social media platforms or our blog!

| | |
|---|---|
|  | https://www.fitshop.co.uk www.fitshop.co.uk/blog |
|  | www.facebook.com/fitshop.co.uk |
|  | www.instagram.com/fitshop_uk |
|  | www.youtube.com/@fitshop_uk |

TAURUS

 cardiostrong

BODYCRAFT

BodyMax

TAURUS[®]

Taurus 5-in-1 Multi Trainer