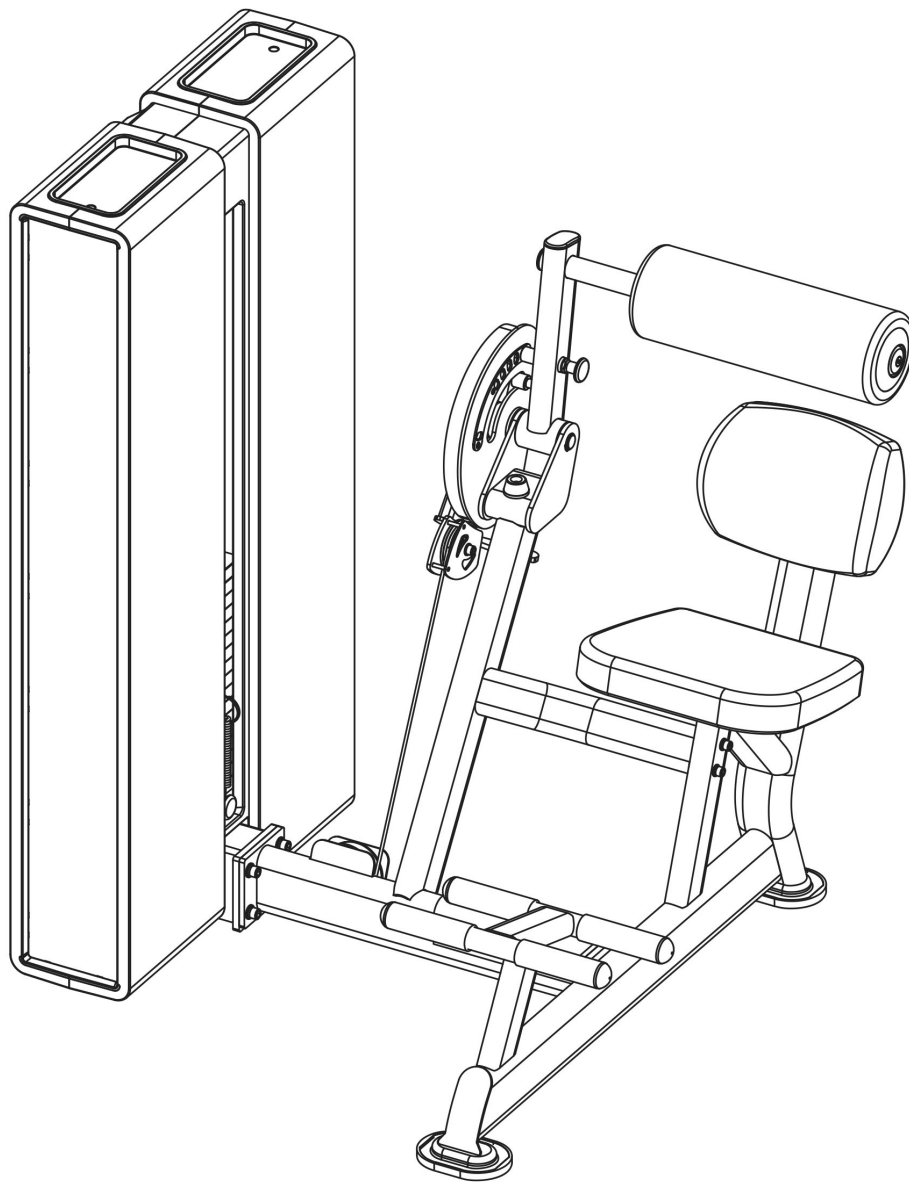


TAURUS®

Assembly and Operating Instructions



max. 180 kg



~ 60 Min.



227 kg

L 112 | B 125 | H 150

Art. No. SESS7138

SESS7138.01.01

Taurus Dual Pro Ab & Back Extension

Content

1	GENERAL INFORMATION	7
1.1	Technical Data	7
1.2	Personal Safety	8
1.3	Set-Up Place	9
2	ASSEMBLY	10
2.1	General Instructions	10
2.2	Scope of Delivery	11
2.3	Assembly	15
3	STORAGE AND TRANSPORT	27
3.1	General Instructions	27
4	TROUBLESHOOTING, CARE AND MAINTENANCE	28
4.1	General Instructions	28
4.2	Faults and Fault Diagnosis	28
4.3	Maintenance and Inspection Calendar	29
5	DISPOSAL	29
6	RECOMMENDED ACCESSORIES	30
7	ORDERING SPARE PARTS	31
7.1	Serial Number and Model Name	31
7.2	Parts List	32
7.3	Exploded Drawing	35
8	WARRANTY	37
9	CONTACT	39

Dear customer,

Thank you for choosing a high-quality equipment of the brand Taurus®. Taurus® offers sports and fitness equipment for the sophisticated home sport and the equipment of fitness studios and business customers. With Taurus® fitness equipment, the focus is on what sport is all about: maximum performance! Therefore, the equipment is developed in close consultation with athletes and sports scientists. Because athletes know best what makes perfect fitness equipment.

Further information can be found at www.sport-tiedje.com.

Intended Use

The equipment may only be used for its intended purpose.

This fitness equipment is suitable for home use, semi-professional use and commercial or professional use. The semi-professional sector includes, for example, institutional facilities such as hospitals, schools, hotels and associations. Professional use refers to commercial use, e.g. in a fitness studio.

Legal Notice

Sport-Tiedje GmbH
Europe's No. 1 for home fitness

International Headquarters
Flensburger Straße 55
24837 Schleswig
Germany

Management:
Christian Grau
Sebastian Campmann
Dr. Bernhard Schenkel
No. HRB 1000 SL
Local Court Flensburg
European VAT Number: DE813211547

Disclaimer

©2011 Taurus® is a registered brand of the company SportTiedje GmbH. All rights reserved. Any use of this trademark without the explicit written permission of Sport-Tiedje is prohibited.

Product and manual are subject to change. Technical data can be changed without advance notice.

ABOUT THIS MANUAL

Please carefully read the entire manual before installation and first use. The manual will help you to quickly set up the system and explains how to safely use it. Make sure that all persons exercising with the equipment (especially children and persons with physical, sensory, mental or motor disabilities) are informed about this manual and its contents in advance. In case of doubt, responsible persons must supervise the use of the equipment.

Due to ongoing changes and software optimisations, the manual may have to be updated. If you notice any discrepancies during assembly or use, please refer to the manual uploaded to the webshop. The latest manual is always available there.

This equipment has been manufactured according to the latest safety knowledge. As far as possible, potential safety hazards which could cause injury have been eliminated. Make sure to carefully follow the instructions and that all parts are securely in place. If required, read through the instructions again to correct any mistakes.



Please pay close attention to the safety and maintenance instructions given here. The contract partner cannot be held liable for damage to health, accidents or damage to the equipment when it is not used in accordance with these instructions.

The following safety instructions may appear in this manual:

► **ATTENTION**

This notice indicates potentially hazardous situations which, if not avoided, may result in property damage.

⚠ **CAUTION**

This notice indicates potentially hazardous situations which, if not avoided, may result in slight or minor injuries!

⚠ **WARNING**

This notice indicates potentially hazardous situations which, if not avoided, may result in death or serious injuries!

⚠ **DANGER**

This notice indicates potentially hazardous situations which, if not avoided, will result in death or serious injuries!

ⓘ **NOTICE**

This notice indicates further useful information.

Retain these instructions in a safe place for future reference, maintenance or when ordering replacement parts.

1.1 Technical Data

Weight and dimensions:

Packaging dimensions (L x W x H) and weight approx:

No.1:	163 cm x 91 cm x 19.5 cm	25 kg/ 55 lbs
No.2:	152 cm x 89 cm x 28.5 cm	35 kg/ 55 lbs
No.3:	109 cm x 73 cm x 49.5 cm	73.8 kg/ 163 lbs
No.4:	50 cm x 18 cm x 55 cm	5.6 kg/ 12 lbs
No.5 (weight plates):	30.5 cm x 11.5 cm x 12.5 cm	117.5 kg/ 259 lbs total

Article weight (net, without packaging): 227.4 kg/ 501 lbs

Set-up dimensions (L x W x H) approx.: 112 cm x 125 cm x 149.8 cm

Maximum user weight: 180 kg/ 397 lbs

Cables and pulleys:

Cable length:	354 cm
Material:	Carbon Steel
Coating:	Nylon
Diameter pulleys:	89/114 mm
Transmission ratio:	7:12

Weight block:

Quantity:	1
Total weight:	27/81 kg/ 60/179 lbs
Quantity of weight plates:	6/9 + 1
Weight of a single weight plate:	4.5/9 kg/ 10/20 lbs

1.2 Personal Safety

DANGER

- + Before you start using the equipment, you should consult your physician that this type of exercise is suitable for you from a health perspective. Particularly affected are persons who: have a hereditary disposition to high blood pressure or heart disease, are over the age of 45, smoke, have high cholesterol values, are overweight and/or have not exercised regularly in the past year. If you are under medical treatment that affects your heart rate, medical advice is absolutely essential.
- + Note that excessive training can seriously endanger your health. Please also note that heart rate monitoring systems can be inaccurate. If you notice any signs of weakness, nausea, dizziness, pain, shortness of breath, or other abnormal symptoms, stop exercising immediately and seek advice from your doctor if necessary.

WARNING

- + This equipment may not be used by children under the age of 14.
- + Children should not be allowed unsupervised access to the equipment.
- + Persons with disabilities must have a medical license and must be under strict observation when using the equipment.
- + The equipment is strictly for use by one person at a time.
- + If your equipment provides a safety key, the clip of the safety key must be attached to your clothing before starting your training. In the event of a fall, the EMERGENCY STOP of the equipment can be initiated.
- + Keep your hands, feet and other body parts, hair, clothing, jewellery and other objects well clear of moving parts.
- + During use, wear suitable sports clothing rather than loose or baggy clothing. When wearing sports shoes, make sure they have suitable soles, preferably made of rubber or other non-slip materials. Shoes with heels, leather soles, studs or spikes are unsuitable. Never exercise barefoot.

CAUTION

- + If your equipment needs to be connected to the power supply with a mains cable, make sure that the cable is not a potential tripping hazard.
- + Make sure that nobody is within the range of motion of the equipment during training so as not to endanger you or other persons.

ATTENTION

- + Do not insert any objects of any kind into the openings of the device.

1.3 Set-Up Place



WARNING

- + Do not place the equipment in main corridors or escape routes.



CAUTION

- + Choose a location in which to place the equipment such that there is enough free space/clearance to the front, the rear and to the sides of the equipment.
- + The training room should be well ventilated during training and not be exposed to any draughts.
- + Choose the place in which to set up the equipment such that there is enough free space/clearance to the front, the rear and to the sides of the equipment.
- + The set-up and mounting surface of the equipment should be flat, loadable and solid.



ATTENTION

- + The device may only be used in one building, in sufficiently tempered and dry rooms (ambient temperatures between 10°C and 35°C). The equipment should not be used outdoors or in rooms with high humidity (over 70%) like swimming pools.
- + A floor protective mat/equipment underlay can help to protect high-quality floor coverings (parquet, laminate, cork, carpets) from dents and sweat and can help to level out slight unevenness.

2.1 General Instructions

⚠ DANGER

- + Do not leave any tools, packaging materials such as foils or small parts lying around, as otherwise there is a danger of suffocation for children. Keep children away from the equipment during assembly.

⚠ WARNING

- + Pay attention to the instructions attached to the equipment in order to reduce the risk of injuries.

⚠ CAUTION

- + Ensure to have sufficient room for movement in each direction during assembly.
- + The assembly of the equipment must be carried out by at least two adults. If in doubt, seek the help of a third technically skilled person.

▶ ATTENTION

- + To prevent damage to the equipment and the floor, assemble the equipment on a mat or packaging board.

ⓘ NOTICE

- + In order to make the assembly as simple as possible, some screws and nuts to be used can already be pre-assembled.
- + Ideally, assemble the equipment at its later set-up place.

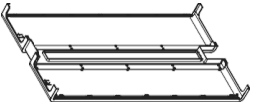
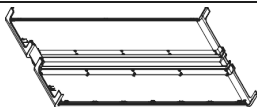
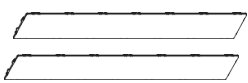

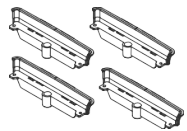
2.2 Scope of Delivery

The scope of delivery consist of the following parts. At the beginning, check whether all parts and tools belonging to the device are included in the scope of delivery and whether damage has occurred. In the event of complaints, the contractual partner must be contacted directly.





⚠ CAUTION

If parts of the scope of delivery are missing or damaged, the assembly must not be carried out.

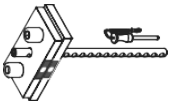

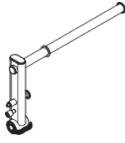

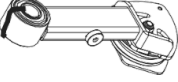
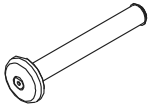
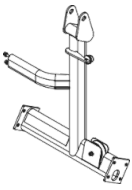
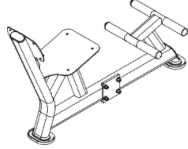
Carton 5-1

ITEM NO.	NAME.	DESCRIPTION.	QTY.
005 + 008 + 006	Left shield + rear middle trim + right shield		2
005 + 009 + 006	Left shield + front middle trim + right shield		2
007	Side shield		2
010	Tray		2
011	Connecting strip		4

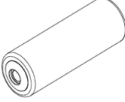
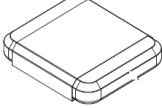
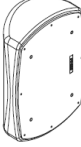
Carton 5-2

ITEM NO.	NAME.	DESCRIPTION.	QTY.
001	Frame		1
013	Pulley set(φ114)		1
012	Pulley set(φ89)		1
004	Pulley baffle		1



Carton 5-3

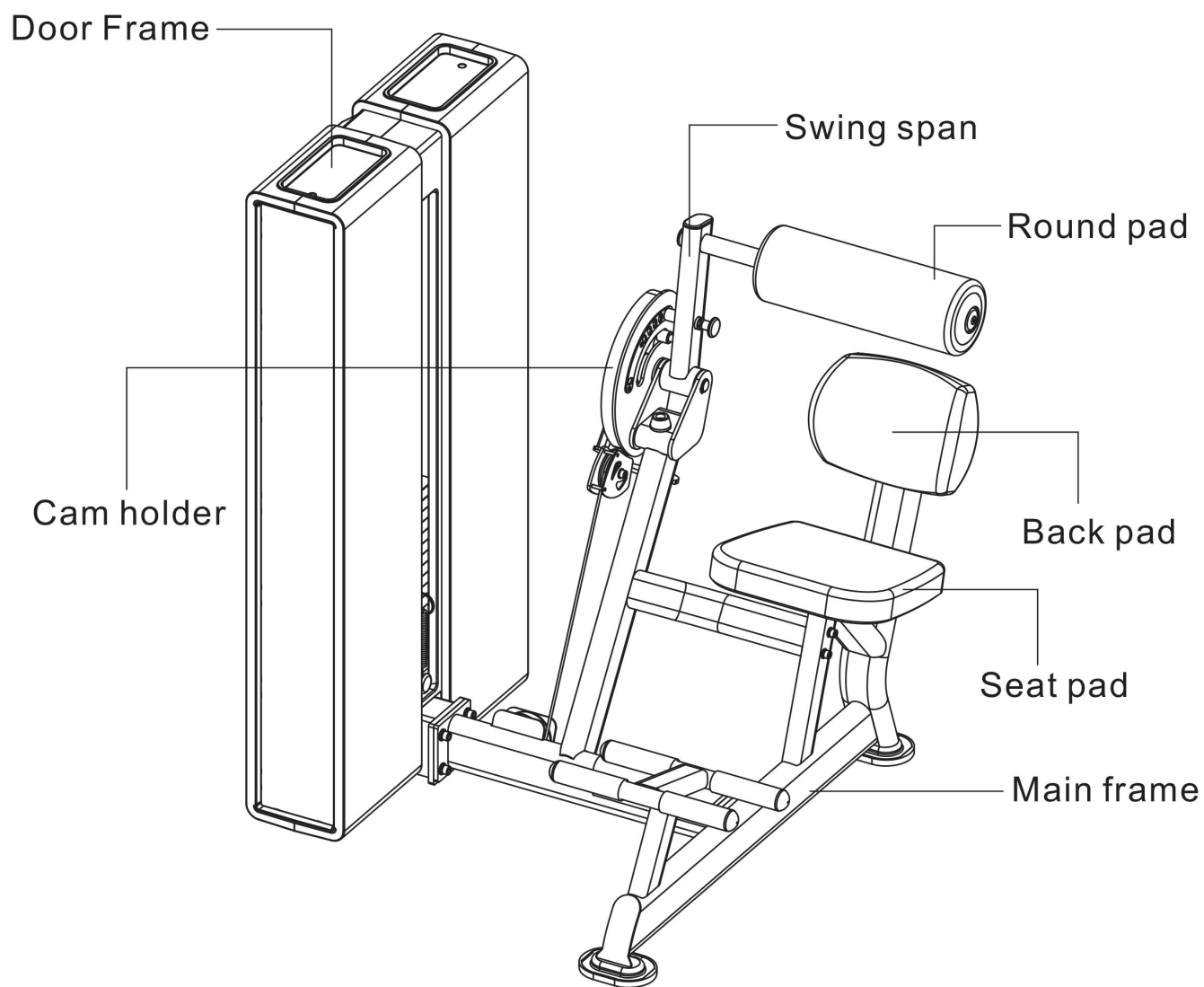
ITEM NO.	NAME.	DESCRIPTION.	QTY.
47	10lb counterweight		1
38	Cable set		1
35-2	Swing Frame		1
36-2	Cam holder		1
39	Swing span		1
41	Cam shaft		1
34-2	Transverse connecting frame		1
33-2	Main frame		1

Carton 5-4

ITEM NO.	NAME.	DESCRIPTION.	QTY.
84	Round Pad		1
86	Seat Pad		1
85	Back Cushion		1

Carton 5-5 (Wooden carton)

ITEM NO.	NAME.	DESCRIPTION.	QTY.
50	10lb weight stack plate		6
49	20lb weight stack plate		9



2.3 Assembly

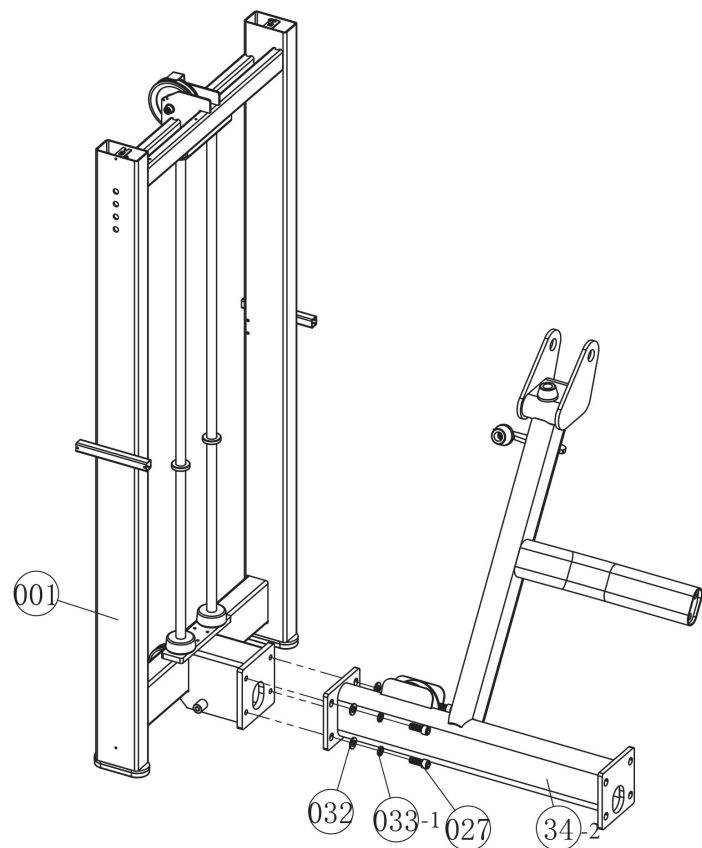
Before assembly, take a close look at the individual assembly steps shown and carry out the assembly in the order given.

① NOTICE

- + First loosely screw all parts together and check that they fit properly. Tighten the screws using the tool only when you are instructed to do so.
- + If you have difficulty recognising the graphics, we recommend that you open and/or download the PDF instructions stored in the webshop on your end device (e.g. smartphone, tablet or PC). There you have the option of zooming in closer. Please note that the Adobe Acrobat Reader programme must be installed on your end device in order to open the file.

Step 1: Assembly of the Transverse Connecting Frame

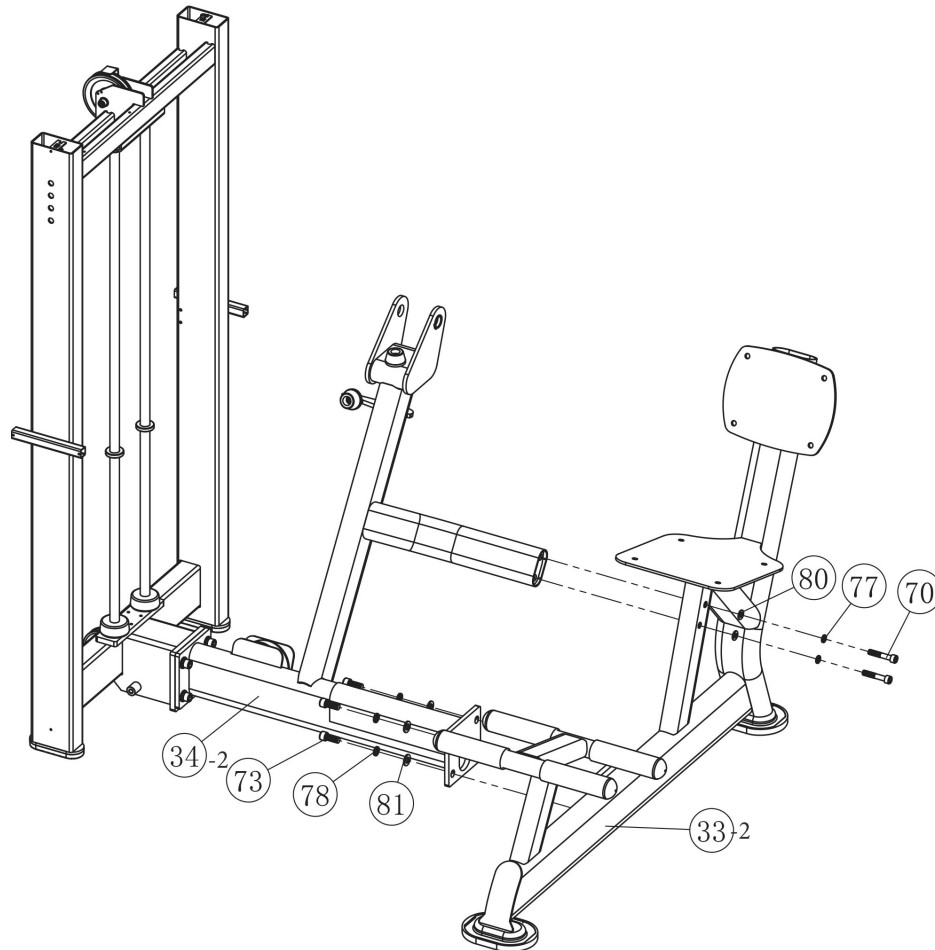
Assemble the frame (001) to the transverse connecting frame (34-2) by using four screws (027), four flat washers (32) and four spring washers (033-1).



No.	Name	Specification	Qty.
001	Frame		1
027	Hexagon socket countersunk head screws	M12*30	4
032	Flat washer	Φ24*Φ13*2.5	4
033-1	Spring washer	M12	4
34-2	Transverse connecting frame		1

Step 2: Assembly of the Main Frame

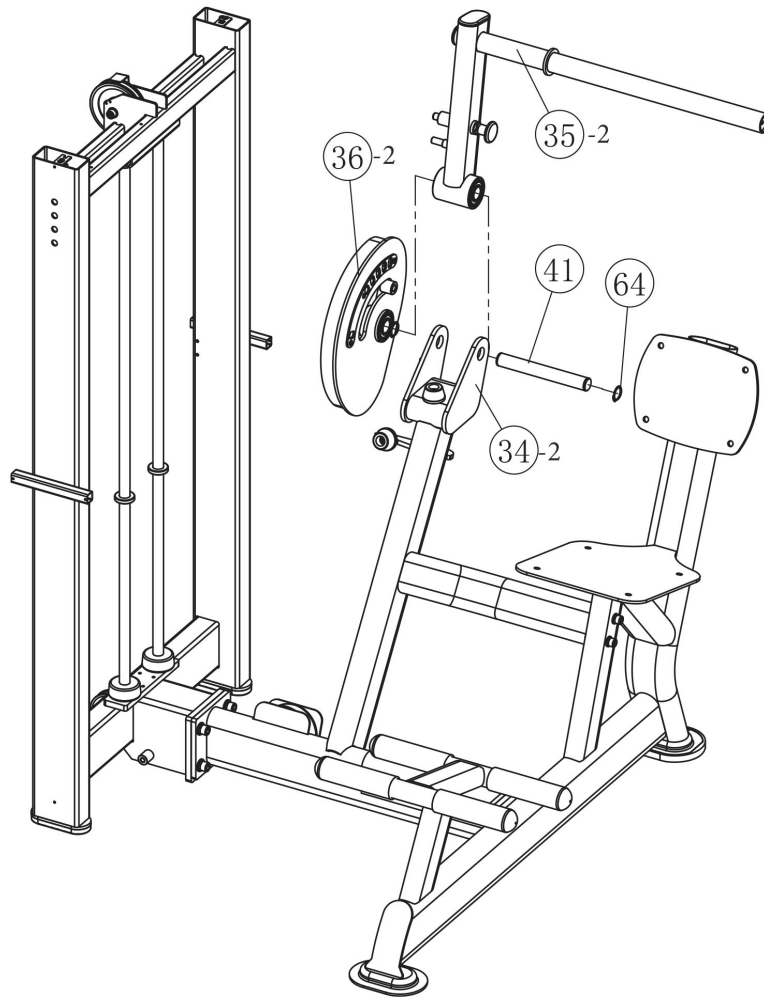
1. Assemble the front part of the main frame (33-2) to the transverse connecting frame (34-2) by using four screws (73), four spring washers (78) and four plain washers (81).
2. Assemble the back part of the main frame (33-2) to the transverse connecting frame (34-2) by using two screws (70), two spring washers (77) and two plain washers (80).



No.	Name	Specification	Qty.
33-2	Main frame		1
34-2	Transverse connecting frame		1
70	Hex socket head cap screw	M10*65	2
73	Hex socket head cap screw	M12*30	4
77	Spring washer	M10	2
78	Spring washer	M12	4
80	Plain washer	Φ20*Φ10.5*2	2
81	Plain washer	Φ24*Φ13*2.5	4

Step 3: Assembly of the Swing Frame and Cam Holder

Assemble the swing frame (35-2) and cam holder (36-2) to the transverse connecting frame (34-2) by using a camshaft (41) and circlip (64).

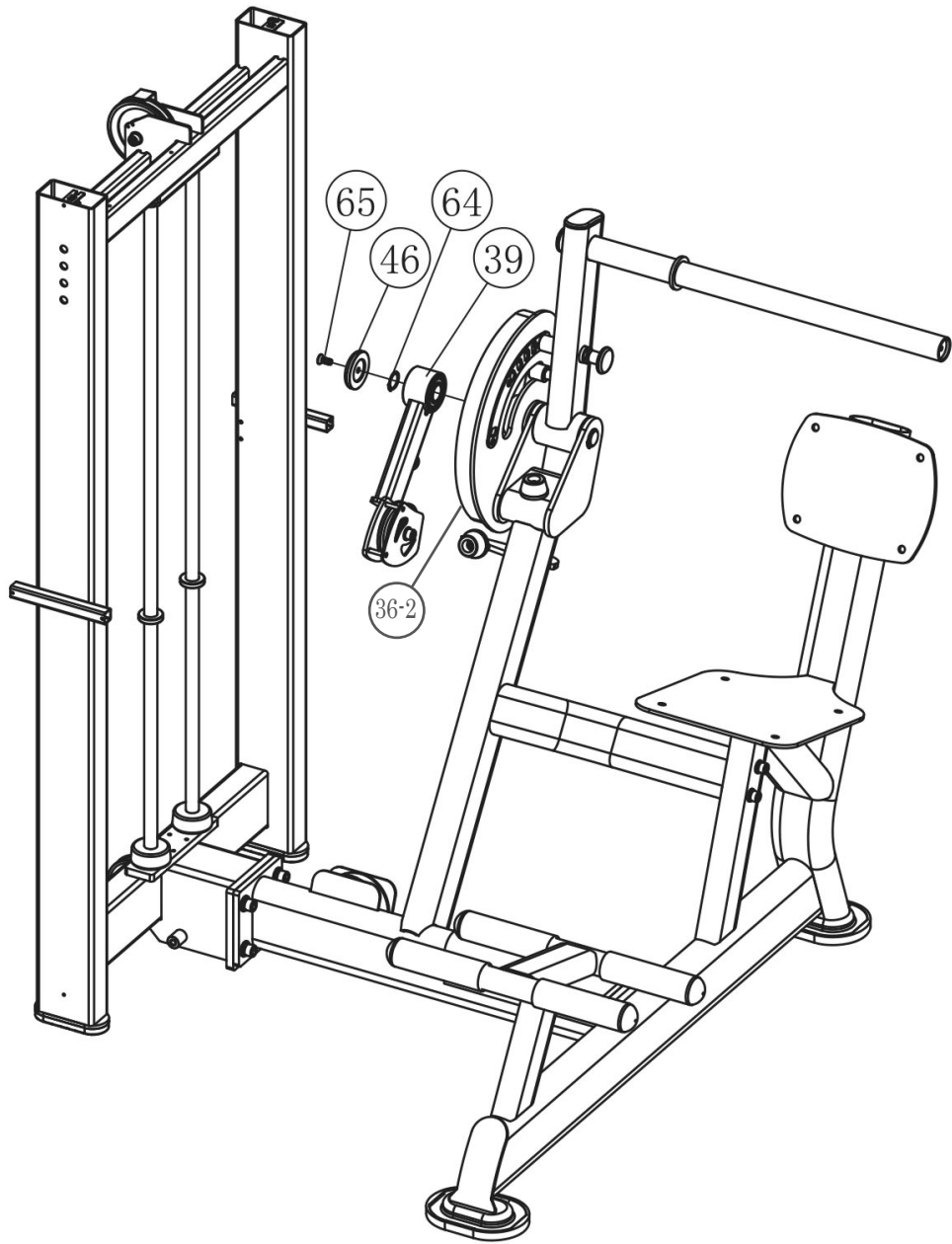


No.	Name	Specification	Qty.
34-2	Transverse connecting frame		1
35-2	Swing Frame		1
36-2	Cam holder		1
41	Camshaft		1
64	Circlips for shaft	Φ25	1

Step 4: Assembly of the Swing Span

1. Assemble the swing span (39) to the cam holder (36-2) by using one circlip (64), one end cover (46) and one screw (65).

No.	Name	Specification	Qty.
36-2	Cam holder		1
39	Swing span		1
46	Aluminium end cover		1
64	Circlips for shaft	Φ25	1
65	Countersunk hex socket screws	M8*20	1

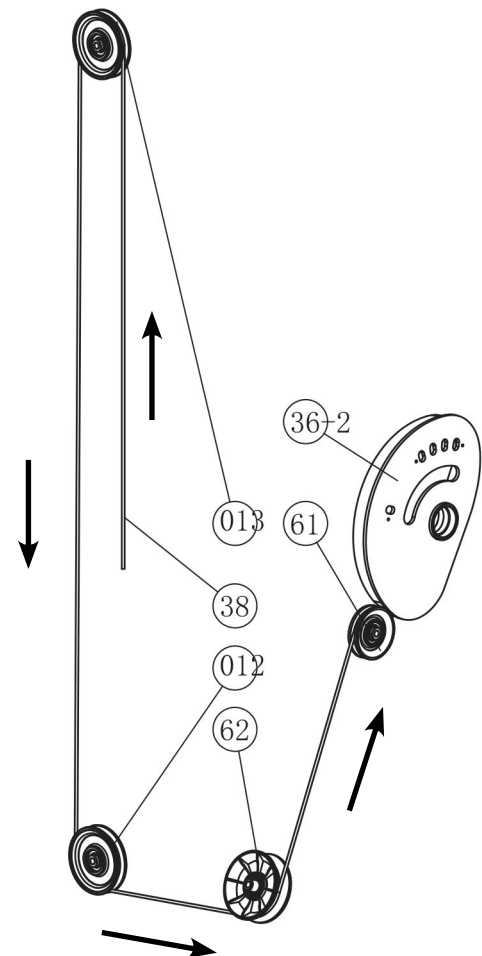


Step 5: Assembly of the Pulleys and Cable Routing

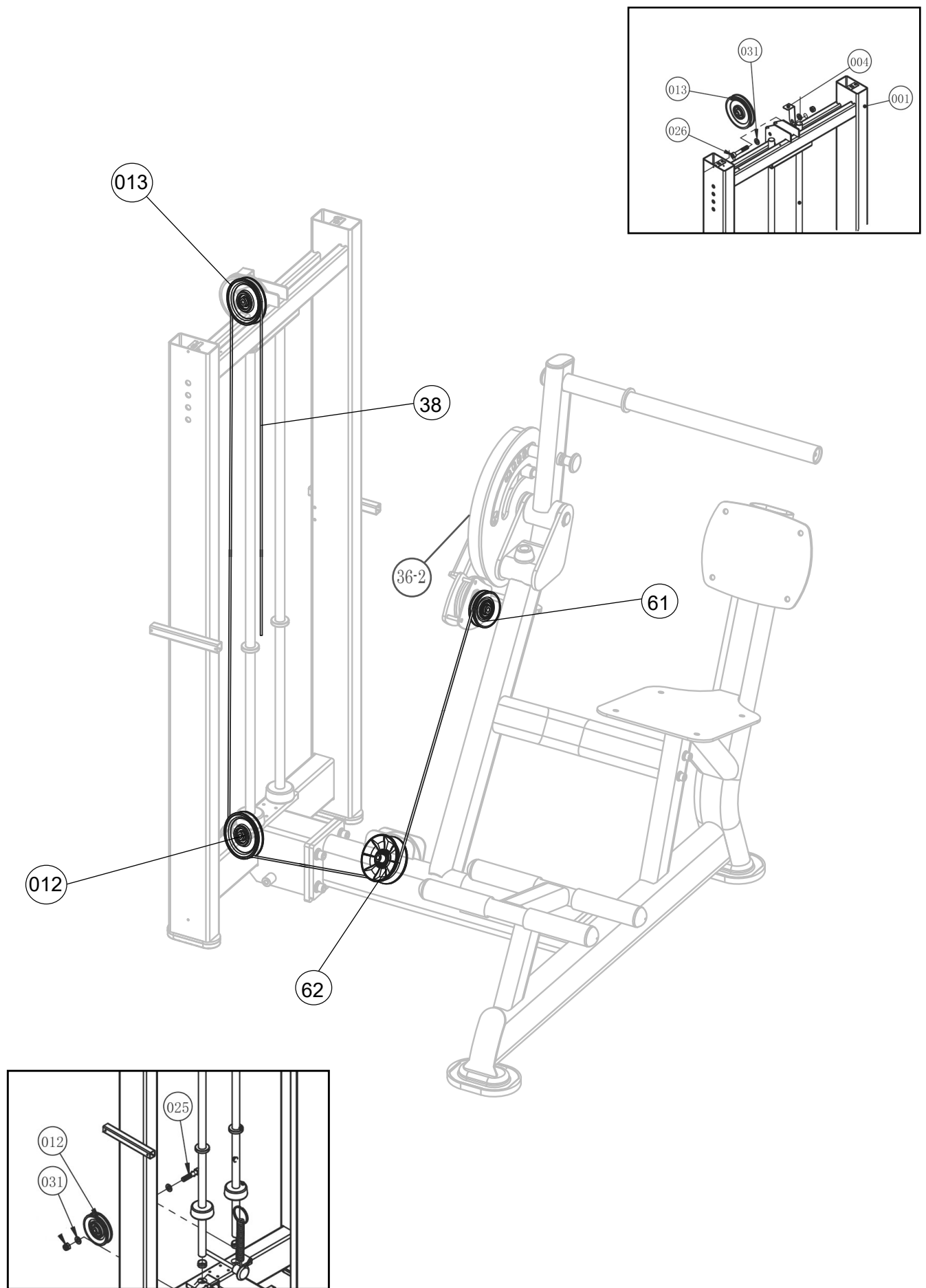
① NOTICE

- + The majority of the pulleys are pre-assembled when delivered. These pulleys need to be disassembled in order to perform the cable routing.
- + The two pulleys (012 and 013) for the frame are not pre-assembled

1. Route the cable set (38) over the pulley set (013) and assemble the pulley set (013) to the upper side of the frame (001) and pulley baffle (004) with the pre-assembled screw (026), two flat washers (031) and one nut (034-1).
2. Route the cable (38) down and under the pulley set (012) and assemble the pulley set (012) to the lower side of the frame (001) with the pre-assembled screw (025), two flat washers (031) and one nut (034-1).
3. Disassemble the wide pulley (62), route the cable (38) around and reassemble the wide pulley (62).
4. Disassemble the pulley (61), route the cable (38) around and reassemble the pulley (61).
5. Attach the lower cable end (38) to the cam holder (36-2).



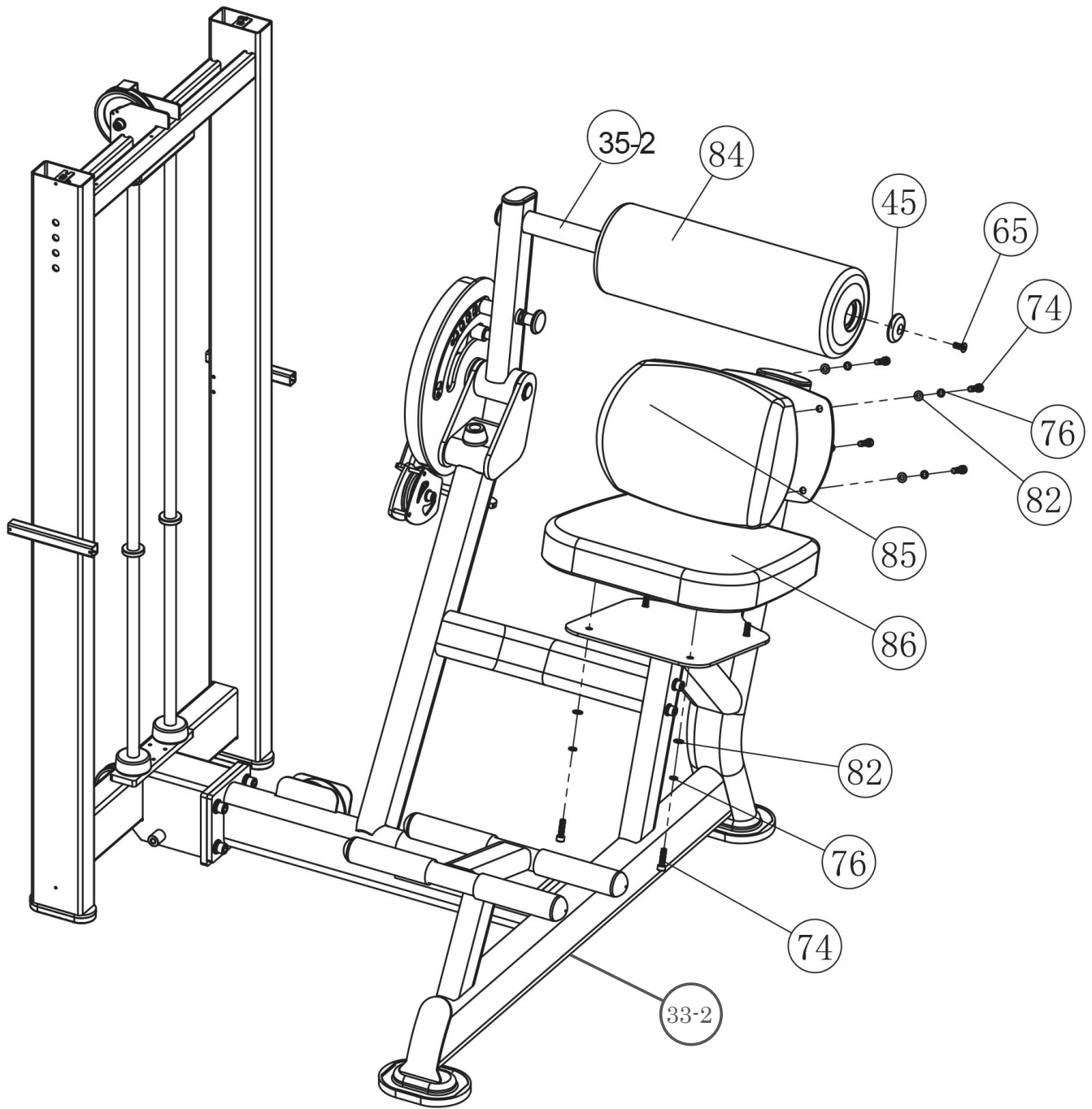
No.	Name	Specification	Qty.
012	Pulley set	Φ89*25.8	1
013	Pulley set	Φ114*32	1
38	Cable set		1
61	Pulley		1
62	Wide pulley		1



Step 6: Assembly of the Seat Pad, Back Cushion and Round Pad

1. Assemble the seat pad (86) to the main frame (33-2) by using four screws (74), four spring washers (76) and four plain washers (82).
2. Assemble the back cushion (85) to the main frame (33-2) by using four screws (74), four spring washers (76) and four plain washers (82).
3. Assemble the round pad (84) to the swing frame (35-2) by using one end cover (45) and one screw (65).

No.	Name	Specification	Qty.
35-2	Swing Frame		1
45	Aluminum end cover		1
65	Countersunk hex socket screws	M8*20	1
74	Hex socket head cap screw	M8*30	8
76	Spring washer	M8	8
82	Plain washer	Φ16*Φ8.4*1.6	8
84	Round pad		1
85	Back cushion		1
86	Seat pad		1



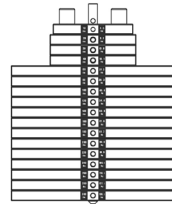
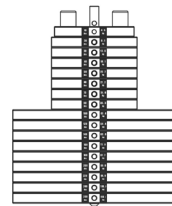
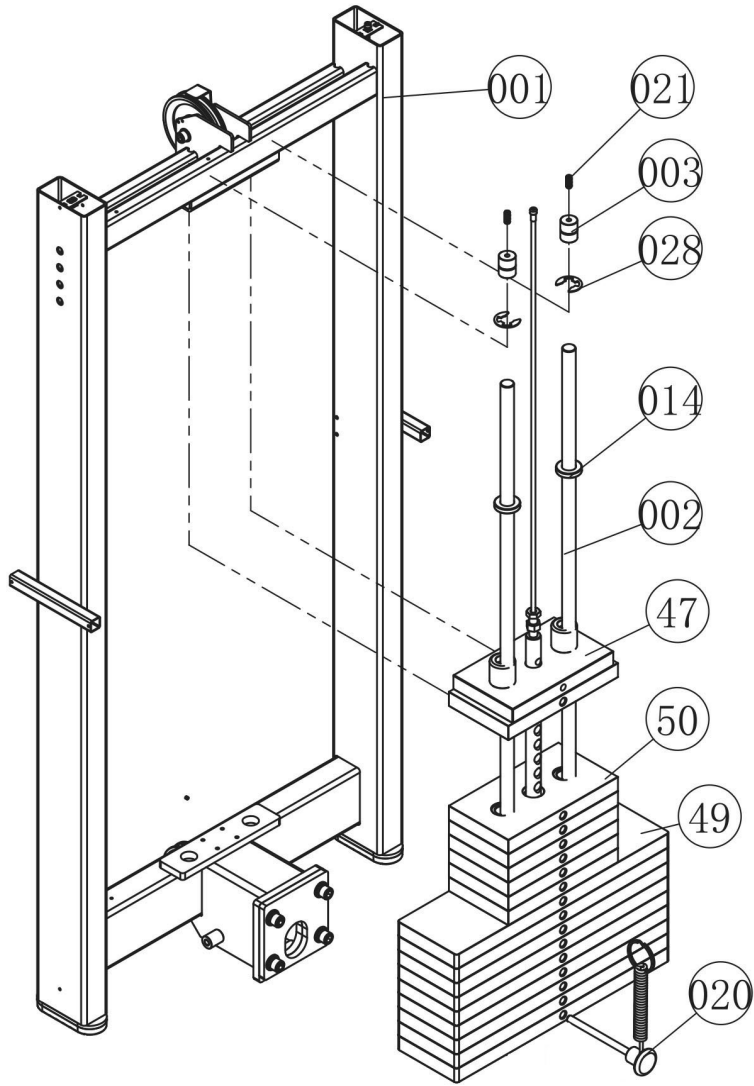
Step 7: Assembly of the Weight Stack Plates and Labels

① NOTICE

The guide rods are pre-assembled to the frame.

1. Disassemble the upper part of the guide rods (002) by removing the socket set (021), the guide rod fixing sleeves (003), the split washers (028) and the bumpers (014).
2. Slide the nine weight stack plates (49) and the six weight stack plates (50) onto the guide rods (002).
3. Slide the counter weight (47) onto the guide rods (002).
4. Insert the selector pin (020) into any desired hole of the weight stack plates.
5. Slide the previously removed bumpers (014) back onto the guide rods (002).
6. Fix the guide rods (002) to the upper part of the frame (001) with the previously removed socket sets (021), guide rod fixing sleeves (003) and split washers (028).
7. Screw in the cable end (38) into the counterweight (47).
8. Wipe the front surface of the weight stack.
9. Peel off the adhesive back sheet from the label and make sure the label remains attached to the application tape.
10. Align the center hole of the label with the weight stack center hole.
11. Line up the first label to the hole of the top plate.
12. Make sure the label is straight, then slowly press into place.
13. Gently remove the application tape and rub each label firmly against the weight stack.
14. Allow the labels to stand for at least 24 hours.

No.	Name	Specification	Qty.
001	Frame		1
002	Guide rod		2
003	Guide rod fixing sleeve		2
014	Bumper	Φ38*Φ21*10	2
020	Select Pin Set		1
021	Hexagon Socket Set S with Cone	M8*20	2
028	Split Washer	d=20	2
47	10lb counterweight		1
49	20lb weight stack plate		9
50	10lb weight stack plate		6



Heavy weight stack

Heavy weight stack

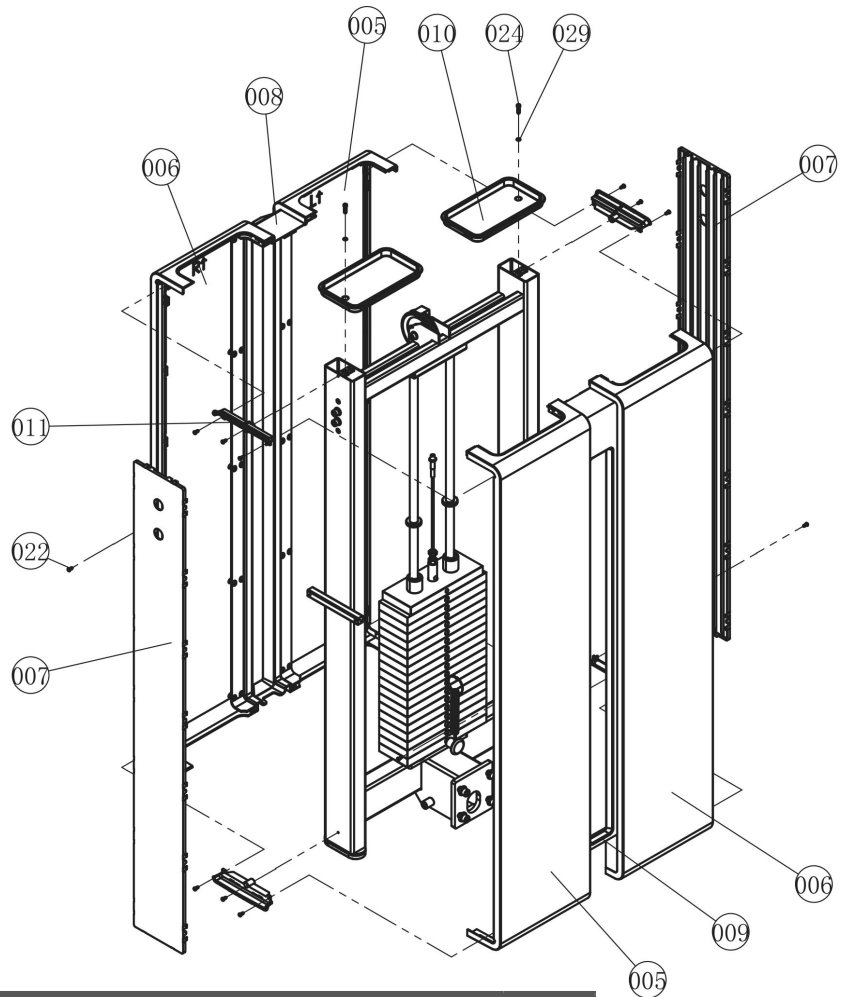
10 lbs	4.5 kg
20 lbs	9.1 kg
30 lbs	13.6 kg
40 lbs	18.1 kg
50 lbs	22.7 kg
60 lbs	27.2 kg
70 lbs	31.8 kg
80 lbs	36.3 kg
100 lbs	45.4 kg
120 lbs	54.4 kg
140 lbs	63.5 kg
160 lbs	72.6 kg
180 lbs	81.7 kg
200 lbs	90.8 kg
220 lbs	99.9 kg
240 lbs	108.9 kg
260 lbs	118.1 kg
10 lbs	4.5 kg
20 lbs	9.1 kg
30 lbs	13.6 kg
40 lbs	18.1 kg
60 lbs	27.2 kg
80 lbs	36.3 kg
100 lbs	45.4 kg
120 lbs	54.4 kg
140 lbs	63.5 kg
160 lbs	72.6 kg
180 lbs	81.7 kg
200 lbs	90.8 kg
220 lbs	99.9 kg
240 lbs	108.9 kg
260 lbs	118.1 kg
280 lbs	127.3 kg
300 lbs	136.4 kg

Step 8: Assembly of the Side Shields and Trays

① NOTICE

The left and right shields are pre-assembled with a front or rear middle trim. Make sure to align the shields in the respective direction (front/rear).

1. Assemble the left and right shields (005 & 006) with the rear and front middle trim (008 & 009) to the frame (001) with four screws (022).
2. Assemble both side shields (007) to the frame (001) with four connecting strips (011) by using twelve screws (022).
3. Assemble the trays (010) to the frame (001) with two screws (024) and two flat washers (029).



No.	Name	Specification	Qty.
005 + 008 + 006	Left shield + rear middle trim + right shield		1
005 + 009 + 006	Left shield + front middle trim + right shield		1
007	Side shield		2
010	Tray		2
011	Connecting strip		4
022	Cross recessed countersunk head screw	ST4.2*13	16
024	Hex socket countersunk head screw	M5*25	2
029	Flat washer	Φ10*Φ5.3*1	2

3.1 General Instructions

 **WARNING**

- + The storage location should be chosen so that improper use by third parties or children can be prevented.
- + If your equipment does not have transportation wheels, the equipment must be disassembled before transportation.

 **ATTENTION**

- + Make sure that the equipment is protected from moisture, dust and dirt in the selected storage location. The storage location should be dry and well ventilated and have a constant ambient temperature between 10°C and 35°C.

4.1 General Instructions

⚠️ WARNING

- + Do not make any improper changes to the equipment.

⚠️ CAUTION

- + Damaged or worn components may affect your safety and the life of the equipment. Therefore, immediately replace damaged or worn components. In such a case, contact the contract partner. The equipment must not be used until it has been repaired. If necessary, use only original spare parts.

▶ ATTENTION

- + In addition to the instructions and recommendations for maintenance and care given here, additional service and/or repair work may be necessary; this must only be carried out by authorised service technicians.

4.2 Faults and Fault Diagnosis

The equipment undergoes regular quality controls during production. Nevertheless, faults or malfunctions may occur. Frequently, individual parts are responsible for these disturbances, an exchange is usually sufficient. Please refer to the following overview for the most common errors and how to correct them. If the equipment still does not function properly, contact your contract partner.

Fault	Cause	Solution
Grinding noises	Cables or pulleys do not run smoothly or are damaged	+ Visual inspection of the cable routing or the pulley guide + If damaged, replace the defective part
Weight hanging in the air	Cable tensioned too tight	Readjust cable tension
Cable without tension	Cable too loose	+ Check cable routing + Readjust cable tension
Squeaking & cracking noises	Screw connections loosened or too tight	+ Check or lubricate screw connections + Check cable routing
Unit wobbles	+ Uneven ground + Loose screw connections	+ Align unit + Tighten screw connections
Heavy draught	+ Weight holders/guide rods too dry + Faulty cable routing	+ Lubricate guide rods + Check cable routing

4.3 Maintenance and Inspection Calendar

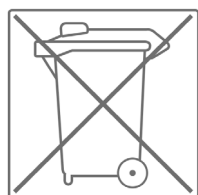
To avoid damage from body sweat, the equipment must be cleaned with a damp towel (no solvents!) after each training session.

The following routine tasks must be performed at the specified intervals:

Part	Weekly	Monthly	Quarterly
Cables	C	I	
Screw connections		I	
Pulleys and cable routing		I	
Slide rails/Guide rods		I	
Cushions	C		
Legend: C = clean; I = inspect			

5 DISPOSAL

At the end of its operational life, this equipment cannot be disposed of in normal household waste. Instead, it must be disposed of via a recycling centre. Further information can be obtained from your local authority's recycling service.



The materials can be recycled as per their symbols. Through the reuse, recycling of materials or other forms of recovery of old equipment, you make an important contribution to the protection of the environment.

6 RECOMMENDED ACCESSORIES

To make your training experience even more efficient and pleasant, we recommend that you add suiting accessories to your fitness equipment. This could be a floor mat, for example, which makes your fitness equipment stand more securely and also protects the floor from falling sweat, but it could also be additional handrails on some treadmills or silicone spray to keep moving parts in good shape.

If you have purchased a fitness machine with pulse training and want to train your heart rate, we strongly recommend that you use a compatible chest strap, as this ensures optimum transmission of the heart rate. You may want to buy additional grips or weights for multi gyms.

Our range of accessories offers the highest quality and makes training even better. If you would like to find out more about compatible accessories, please go to the detail page of the product in our webshop (the easiest way is to enter the article number in the search field above) and go to the recommended accessories on this page. Of course, you can also contact our customer service: by telephone, e-mail, in one of our branches or via our social media channels. We will be happy to advise you!



floor mat



chest strap



chest strap contact gel



towels



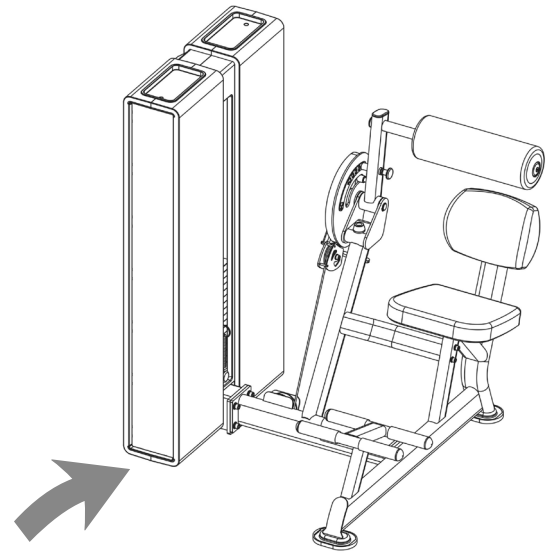
silicone spray

7.1 Serial Number and Model Name

In order to provide you with the best possible service, please have the model name, article number, serial number, exploded drawing and parts list ready. The corresponding contact options can be found in chapter 9 of this operating manual.

ⓘ NOTICE

The serial number of your equipment is unique. It's located on a white sticker. The exact position of this sticker is shown in the following illustration.



Enter the serial number in the appropriate field.

Serial number:

Brand / Category:

Taurus / multi gym

Model Name:

Dual Pro Ab & Back Extension

SKU:

SESS7138

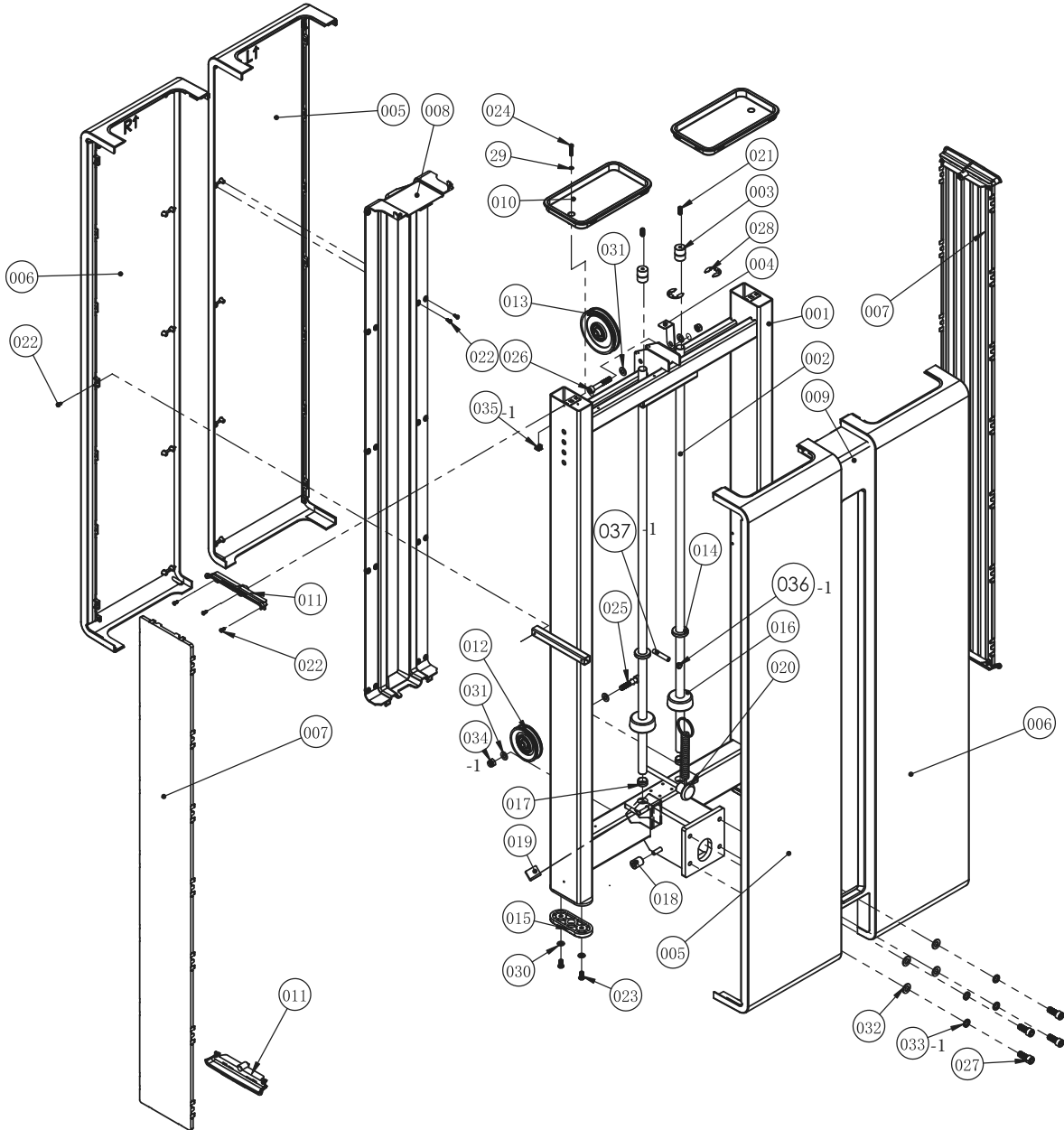
7.2 Parts List

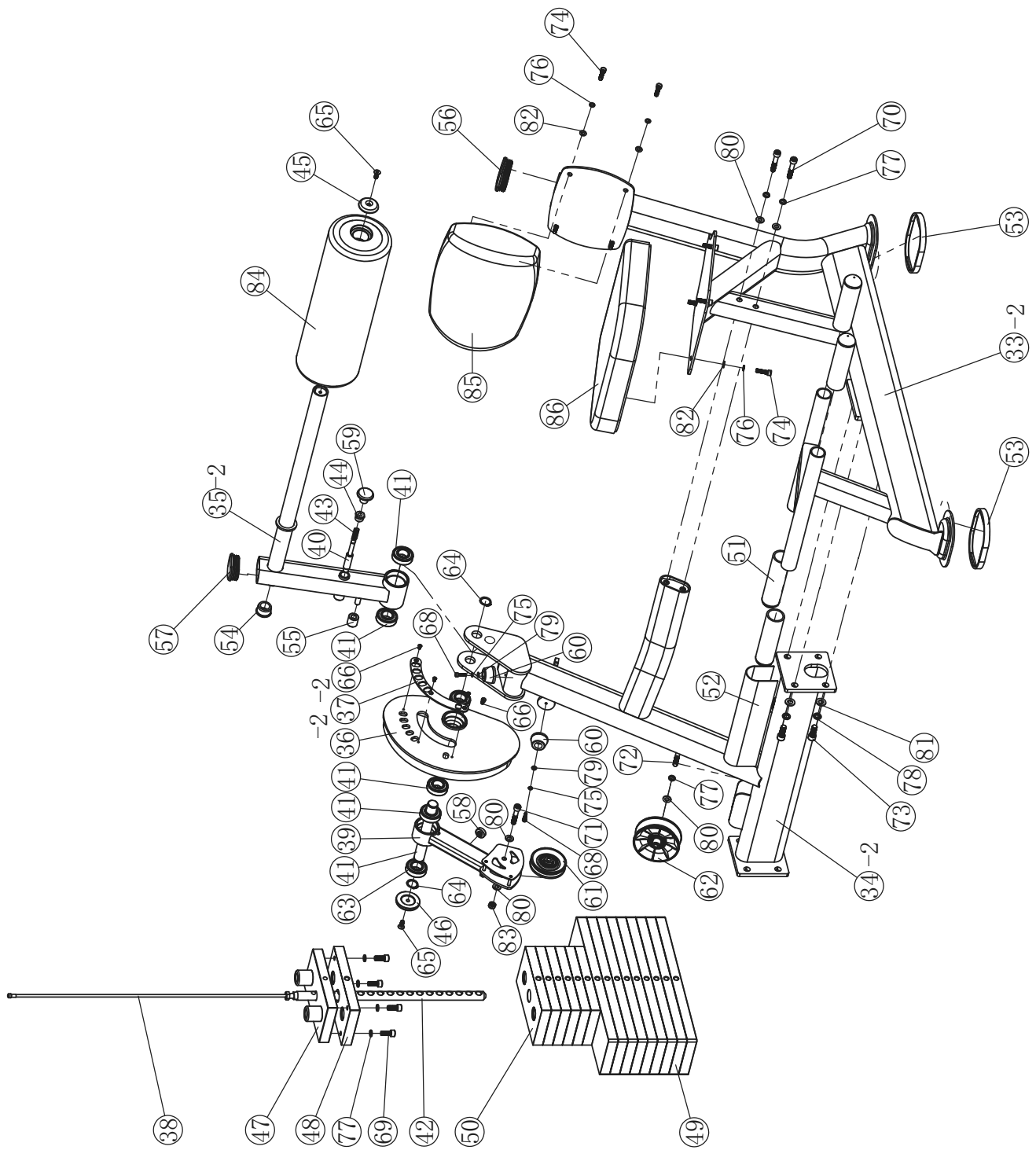
No.	Name	Specification	Qty.
001	Frame		1
002	Guide rod		2
003	Guide rod fixing sleeve		2
004	Pulley baffle		1
005	Left Shield		2
006	Right Shield		2
007	Side Shield		2
008	Rear middle Trim		1
009	Front middle Trim		1
010	Tray		2
011	Connecting strip		4
012	Pulley set	φ89*25.8	1
013	Pulley set	φ114*32	1
014	Bumper	φ38*φ21*10	2
015	Floor mat		2
016	Bumper	φ62*φ20*26	2
017	Guide rod upper cap		2
018	Hook stop collar		2
019	Single Side glue cushion	25*35*3	1
020	Select Pin Set		1
021	Hexagon Socket Set S with Cone	M8*20	2
022	Cross recessed countersunk head screw	ST4.2*13	56
023	Button Head Inner Hexagon Bolt	M8*16	4
024	Hexagon socket countersunk head screws	M5*25	2
025	Hexagon socket countersunk head screws	M10*50	1
026	Hexagon socket countersunk head screws	M10*60	1
027	Hexagon socket countersunk head screws	M12*30	4
028	Split Washer	d=20	2
029	Flat washer	Φ10*Φ5.3*1	2
030	Flat washer	Φ16*Φ8.4*1.6	4
031	Flat washer	Φ20*Φ10.5*2	4

032	Flat washer	Φ24*Φ13*2.5	4
033-1	Spring washer	M12	4
034-1	Nylon nut	M10	2
035-1	Nut	M5	2
036-1	Stopple	Φ10*Φ5.3*1	1
037-1	Elastic cylindrical pin	φ10*45	1
33-2	Main frame		1
34-2	Transverse connecting frame		1
35-2	Swing Frame		1
36-2	Cam holder		1
37-2	adjustment paster		1
38	Cable set		1
39	Swing span		1
40	Pilot plunger		1
41	Camshaft		1
42	17holes shaft		1
43	Spring		1
44	M20 nut		1
45	Aluminum end cover		1
46	Aluminum end cover		1
47	10lb counterweight		1
48	10lb weight stack plate		1
49	20lb weight stack plate		9
50	10lb weight stack plate		6
51	Handle grip		4
52	non-slip mat		1
53	Rubber mat		2
54	Round tube stopper		1
55	Rotary locating bush		1
56	Elliptical tube stopper		1
57	Elliptical tube stopper		1
58	Rubber bumper		1
59	Rotary knob		1
60	Rubber bumper		2

61	Pulley		1
62	Wide pulley		1
63	Steps rolling bearing		6
64	Circlips for shaft	φ25	2
65	Countersunk hex socket screws	M8*20	2
66	Cross recessed countersunk head screw	M5*10	3
67	Hex socket head cap screw	M6*10	1
68	Hex socket head cap screw	M6*20	3
69	Hex socket head cap screw	M10*25	4
70	Hex socket head cap screw	M10*65	2
71	Hex socket head cap screw	M10*60	1
72	Hex socket head cap screw	M10*70	1
73	Hex socket head cap screw	M12*30	4
74	Hex socket head cap screw	M8*30	8
75	Spring washer	M6	2
76	Spring washer	M8	8
77	Spring washer	M10	7
78	Spring washer	M12	4
79	Plain washer	Φ12*Φ6.4*1.6	2
80	Plain washer	Φ20*Φ10.5*2	5
81	Plain washer	Φ24*Φ13*2.5	4
82	Plain washer	Φ16*Φ8.4*1.6	8
83	Nylon insert lock nut	M10	1
84	Round pad		1
85	Back cushion		1
86	Seat pad		1

7.3 Exploded Drawing





Training equipment from Taurus® is subject to strict quality control. However, if a fitness equipment purchased from us does not work perfectly, we take it very seriously and ask you to contact our customer service as indicated. We are happy to help you by phone via our service hotline.

Error Descriptions

Your fitness equipment is developed for long-term, high-quality training. However, should a problem arise, please first read the operating instructions. For further assistance, please contact your contract partner or call our service hotline. To ensure your problem is solved as quickly as possible, please describe the defect as exactly as possible.

In addition to the statutory warranty, we provide a warranty for every fitness equipment purchased from us according to the following provisions.

Your statutory rights are not affected.

Warranty

The warranty is the first/original buyer and/or any person who received a newly purchased product as a gift from the original buyer.

Warranty period

The warranty periods, shown on our web shop, begin on delivery of the fitness equipment. The respective warranty periods for your equipment can be found on its product website.

Repair Costs

According to our choice, there will either be a repair, a replacement of individual damaged parts or a complete replacement. Spare parts, that have to be mounted while assembling the equipment, have to be replaced by the warranty personally and are not a part of repair. After the expiration of the warranty period for repair costs, a pure parts warranty applies, which does not include the repair, installation and delivery costs.

The terms of use are defined as follows:

- + Home use: solely for private use in private households up to 3 hours per day
- + Semi-professional use: up to 6 hours per day (e. g. rehabilitation centres, hotels, clubs, company gyms)
- + Professional use: more than 6 hours per day (e. g. commercial gyms)

Warranty Service

Within the warranty period, equipment which develops faults as a result of material or manufacturing defects, will be repaired or replaced at our discretion. Ownership of equipment or parts of equipment which have been replaced is transferred to us. The warranty period is not extended nor does a new warranty period begin following repair or replacement under the warranty.

Warranty Conditions

For the warranty to be valid, the following steps must be taken:

Please contact our customer service by email or phone. If the product under warranty has to be sent in for repair, the seller bears costs. After expiry of the warranty, the buyer bears the costs of transport and insurance. If the fault is covered by our warranty, you will receive a new or repaired equipment in return.

Warranty claims are invalid in case of damage resulting from:

- + misuse or improper handling
- + environmental influences (moisture, heat, electrical surge, dust, etc.)
- + failure to follow the current safety measures for the equipment
- + failure to follow the operating instructions
- + use of force (e. g. hitting, kicking, falling)
- + interventions which were not carried out by one of our authorized service centres
- + unauthorised repair attempts

Proof of Purchase and Serial Number

Please make sure that you are able to provide the appropriate receipt when claiming on your warranty. So that we can clearly identify the model of your equipment, and for the purposes of our quality control, you will need to give the serial number of your equipment, when contacting the service team. Where possible please have your serial number and your customer number ready when you call our service hotline. It will help us to deal with your request swiftly.




































If you cannot find the serial number on your fitness equipment, our service team is at your disposal to offer further information.

Service outside of the Warranty Period

We are also happy to issue an individual cost estimate if there is a problem with your fitness equipment after the warranty has expired, or in cases which do not fall under the terms of the warranty, e. g. normal wear and tear. Please contact our customer service team to find a quick and cost-effective solution to your problem. In such a case you will be responsible for the delivery costs.

Communication

Many problems can be solved just by speaking to us as your specialist supplier. We know how important it is to you as a user of the fitness equipment to have problems solved quickly and simply, so you can enjoy working out with minimal interruption. For that reason, we also want to resolve your queries quickly and in a straightforward manner. Thus, please always keep your customer number and the serial number of the faulty equipment handy.

DE	DK	FR
<p>TECHNICAL SUPPORT</p> <p> +49 4621 4210-900</p> <p> +49 4621 4210-698</p> <p> technik@sport-tiedje.de</p> <p> Mo - Fr 08:00 - 18:00 Sa 09:00 - 18:00</p> <p>SERVICE</p> <p> 0800 20 20277 (Freecall)</p> <p> info@sport-tiedje.de</p> <p> Mo - Fr 08:00 - 21:00 Sa 09:00 - 21:00 So 10:00 - 18:00</p>	<p>TECHNICAL SUPPORT & SERVICE</p> <p> 80 90 16 50</p> <p>+49 4621 4210-945</p> <p> info@fitshop.dk</p> <p> Mo - Fr 08:00 - 18:00 Sa 09:00 - 18:00</p>	<p>TECHNICAL SUPPORT & SERVICE</p> <p> +33 (0) 172 770033</p> <p>+49 4621 4210-933</p> <p> service-france@fitshop.fr</p> <p> Mo - Fr 08:00 - 18:00 Sa 09:00 - 18:00</p>
	PL	BE
	<p>TECHNICAL SUPPORT & SERVICE</p> <p> 22 307 43 21</p> <p>+49 4621 42 10-948</p> <p> info@fitshop.pl</p> <p> Mo - Fr 08:00 - 18:00 Sa 09:00 - 18:00</p>	<p>TECHNICAL SUPPORT & SERVICE</p> <p> 02 732 46 77</p> <p>+49 4621 42 10-932</p> <p> info@fitshop.be</p> <p> Mo - Fr 08:00 - 18:00 Sa 09:00 - 18:00</p>
UK	NL	INT
<p>TECHNICAL SUPPORT</p> <p> +44 141 876 3986</p> <p> support@powerhousefitness.co.uk</p> <p>SERVICE</p> <p> +44 141 876 3972</p> <p> Mo - Fr 9am - 5pm</p>	<p>TECHNICAL SUPPORT & SERVICE</p> <p> +31 172 619961</p> <p> info@fitshop.nl</p> <p> Ma - Do 09:00 - 17:00 Vr 09:00 - 21:00 Za 10:00 - 17:00</p>	<p>TECHNICAL SUPPORT & SERVICE</p> <p> +49 4621 4210-944</p> <p> service-int@sport-tiedje.de</p> <p> Mo - Fr 8am - 6pm Sat 9am - 6pm</p>
	AT	CH
	<p>TECHNICAL SUPPORT & SERVICE</p> <p> 0800 20 20277 (Freecall)</p> <p>+49 4621 42 10-0</p> <p> info@sport-tiedje.at</p> <p> Mo - Fr 08:00 - 18:00 Sa 09:00 - 18:00</p>	<p>TECHNICAL SUPPORT & SERVICE</p> <p> 0800 202 027</p> <p>+49 4621 42 10-0</p> <p> info@sport-tiedje.ch</p> <p> Mo - Fr 08:00 - 18:00 Sa 09:00 - 18:00</p>

Please find a detailed overview including address and opening hours for all stores of the Sport-Tiedje Group in Germany and abroad on the following website:

www.sport-tiedje.com/en/stores

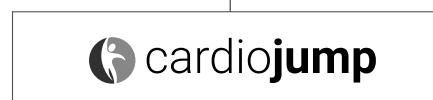
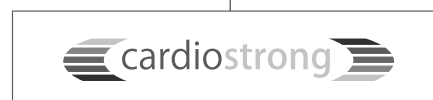
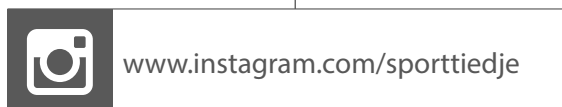
WE LIVE FITNESS

WEBSHOP AND SOCIAL MEDIA

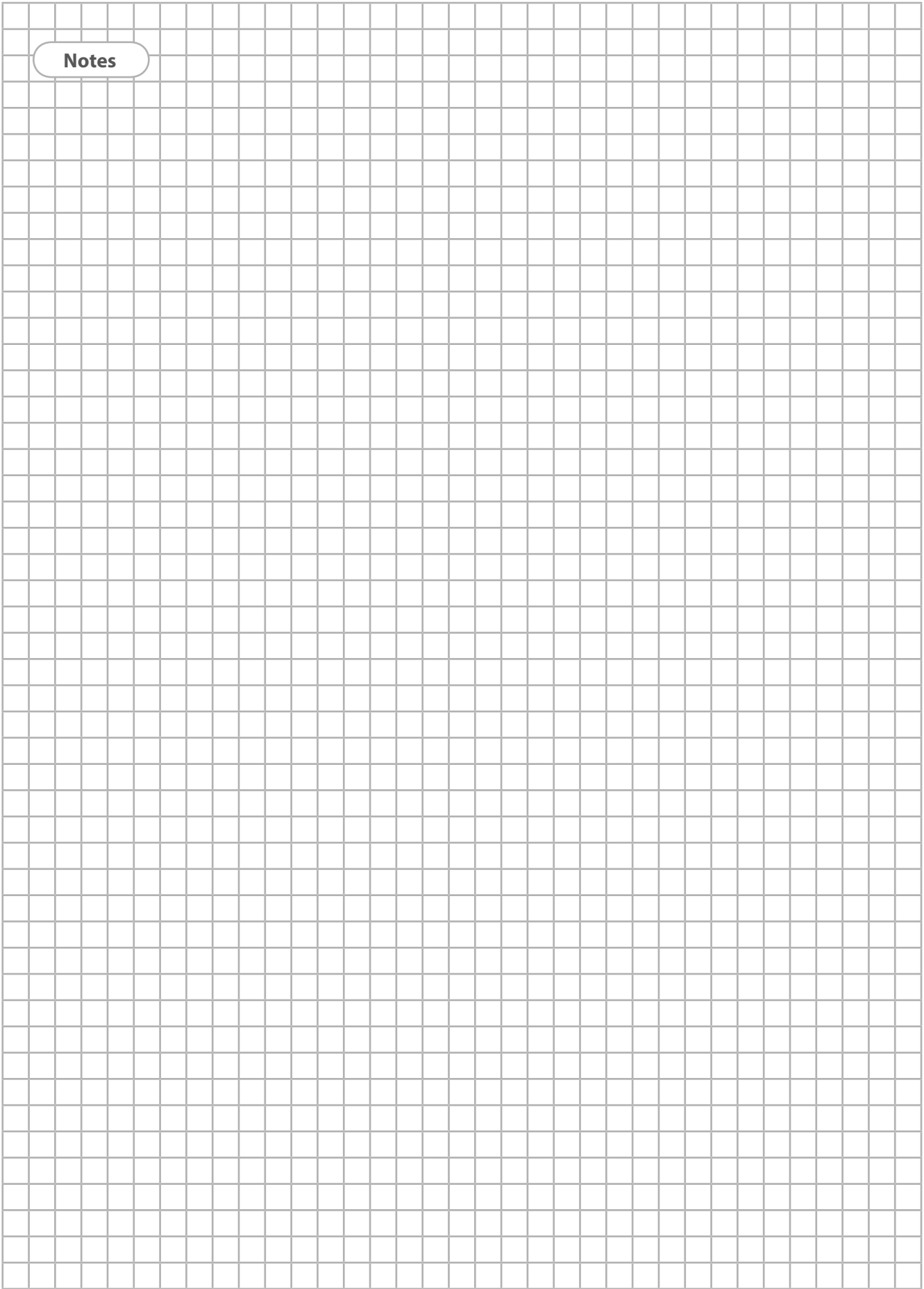
Sport-Tiedje is Europe's largest specialist store for home fitness equipment with currently over 70 stores and one of the world's most renowned online mail order companies for fitness equipment. Private customers order via the 25 web shops in the respective national language or have their desired equipment assembled on site. In addition, the company supplies fitness studios, hotels, sports clubs, companies and physio practices with professional equipment for endurance and strength training.

Sport-Tiedje offers a wide range of fitness equipment from renowned manufacturers, high-quality in-house developments and comprehensive services, such as a build-up service and sports scientific advice before and after the purchase. The company employs numerous sports scientists, fitness trainers and competitive athletes.

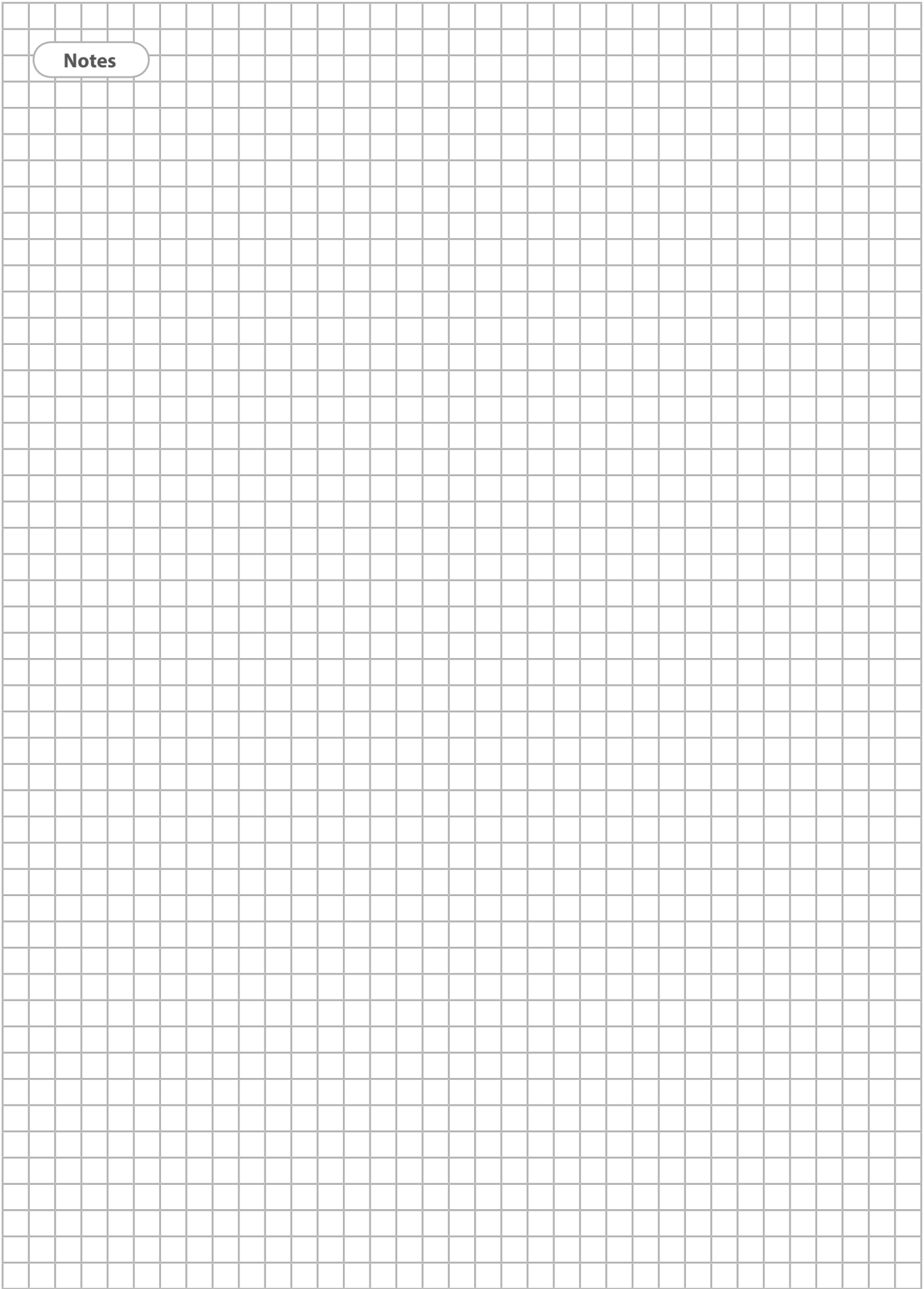
Visit us also on our social media platforms or our blog!



Notes



Notes





TAURUS®

Taurus Dual Pro Ab & Back Extension