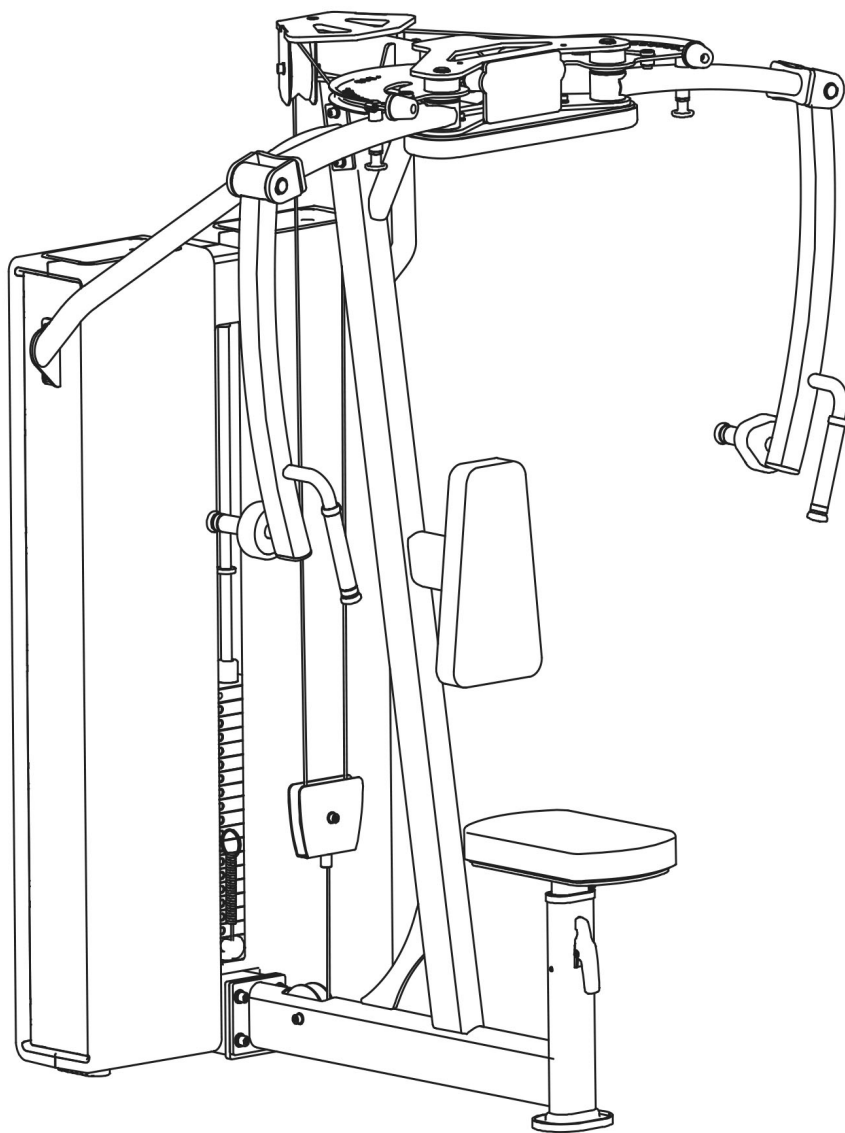


TAURUS®

Assembly and Operating Instructions



max. 180 kg



~ 180 Min.



236 kg

L 137 | W 150 | H 195

SESS7132.01.01

SKU: SESS7132

Taurus Dual Pro Pec Fly & Rear Delt

Content

1	GENERAL INFORMATION	7
1.1	Technical Data	7
1.2	Personal Safety	8
1.3	Set-Up Place	9
2	ASSEMBLY	10
2.1	General Instructions	10
2.2	Scope of Delivery	10
2.3	Assembly	13
3	STORAGE AND TRANSPORT	28
3.1	General Instructions	28
4	TROUBLESHOOTING, CARE AND MAINTENANCE	29
4.1	General Instructions	29
4.2	Faults and Fault Diagnosis	29
4.3	Maintenance and Inspection Calendar	30
5	DISPOSAL	30
6	RECOMMENDED ACCESSORIES	31
7	ORDERING SPARE PARTS	32
7.1	Serial Number and Model Name	32
7.2	Parts List	33
7.3	Exploded Drawing	36
8	WARRANTY	38
9	CONTACT	40

Dear customer,

Thank you for choosing a high-quality equipment of the brand Taurus®. Taurus® offers sports and fitness equipment for the sophisticated home sport and the equipment of fitness studios and business customers. With Taurus® fitness equipment, the focus is on what sport is all about: maximum performance! Therefore, the equipment is developed in close consultation with athletes and sports scientists. Because athletes know best what makes perfect fitness equipment.

Further information can be found at www.sport-tiedje.com.

Intended Use

The equipment may only be used for its intended purpose.

This fitness equipment is suitable for home use, semi-professional use and commercial or professional use. The semi-professional sector includes, for example, institutional facilities such as hospitals, schools, hotels and associations. Professional use refers to commercial use, e.g. in a fitness studio.

Legal Notice

Sport-Tiedje GmbH
Europe's No. 1 for home fitness

International Headquarters
Flensburger Straße 55
24837 Schleswig
Germany

Management:
Christian Grau
Sebastian Campmann
Dr. Bernhard Schenkel
No. HRB 1000 SL
Local Court Flensburg
European VAT Number: DE813211547

Disclaimer

©2011 Taurus® is a registered brand of the company SportTiedje GmbH. All rights reserved. Any use of this trademark without the explicit written permission of Sport-Tiedje is prohibited.

Product and manual are subject to change. Technical data can be changed without advance notice.

ABOUT THIS MANUAL

Please carefully read the entire manual before installation and first use. The manual will help you to quickly set up the system and explains how to safely use it. Make sure that all persons exercising with the equipment (especially children and persons with physical, sensory, mental or motor disabilities) are informed about this manual and its contents in advance. In case of doubt, responsible persons must supervise the use of the equipment.

Due to ongoing changes and software optimisations, the manual may have to be updated. If you notice any discrepancies during assembly or use, please refer to the manual uploaded to the webshop. The latest manual is always available there.

This equipment has been manufactured according to the latest safety knowledge. As far as possible, potential safety hazards which could cause injury have been eliminated. Make sure to carefully follow the instructions and that all parts are securely in place. If required, read through the instructions again to correct any mistakes.



Please pay close attention to the safety and maintenance instructions given here. The contract partner cannot be held liable for damage to health, accidents or damage to the equipment when it is not used in accordance with these instructions.

The following safety instructions may appear in this manual:

► **ATTENTION**

This notice indicates potentially hazardous situations which, if not avoided, may result in property damage.

⚠ **CAUTION**

This notice indicates potentially hazardous situations which, if not avoided, may result in slight or minor injuries!

⚠ **WARNING**

This notice indicates potentially hazardous situations which, if not avoided, may result in death or serious injuries!

⚠ **DANGER**

This notice indicates potentially hazardous situations which, if not avoided, will result in death or serious injuries!

ⓘ **NOTICE**

This notice indicates further useful information.

Retain these instructions in a safe place for future reference, maintenance or when ordering replacement parts.

1.1 Technical Data

Weight and Dimensions

Packaging dimensions (L x W x H) and article weight (gross, incl. packaging):

Box 1:	163 cm x 91 cm x 19.5 cm	25 kg / 55 lbs
Box 2:	152 cm x 89 cm x 28.5 cm	35 kg / 77 lbs
Box 3:	188 cm x 112 cm x 26.5 cm	113 kg / 249 lbs
Box 4:	55 cm x 12.5 cm x 44 cm	5.7 kg / 12.5 lbs
Box 5 (weight plates):	30.5 cm x 11.5 cm x 12.5 cm	90 kg / 198 lbs total

Set-up dimensions (L x W x H) and article weight (net, without packaging):

137 cm x 150.1 cm x 195.3 cm	236.2 kg / 520 lbs
------------------------------	--------------------

Weight Stack and Cables

Weight stack:	1
Weight plates:	18 + 1 (10 lbs)
Cable material:	Steel
Cable cover:	Nylon
Cable length:	305 cm, 432 cm
Transmission ratio:	2:5

Maximum user weight:	180 kg / 397 lbs
----------------------	------------------

1.2 Personal Safety

DANGER

- + Before you start using the equipment, you should consult your physician that this type of exercise is suitable for you from a health perspective. Particularly affected are persons who: have a hereditary disposition to high blood pressure or heart disease, are over the age of 45, smoke, have high cholesterol values, are overweight and/or have not exercised regularly in the past year. If you are under medical treatment that affects your heart rate, medical advice is absolutely essential.
- + Note that excessive training can seriously endanger your health. Please also note that heart rate monitoring systems can be inaccurate. If you notice any signs of weakness, nausea, dizziness, pain, shortness of breath, or other abnormal symptoms, stop exercising immediately and seek advice from your doctor if necessary.

WARNING

- + This equipment may not be used by children under the age of 14.
- + Children should not be allowed unsupervised access to the equipment.
- + Persons with disabilities must have a medical license and must be under strict observation when using the equipment.
- + The equipment is strictly for use by one person at a time.
- + If your equipment provides a safety key, the clip of the safety key must be attached to your clothing before starting your training. In the event of a fall, the EMERGENCY STOP of the equipment can be initiated.
- + Keep your hands, feet and other body parts, hair, clothing, jewellery and other objects well clear of moving parts.
- + During use, wear suitable sports clothing rather than loose or baggy clothing. When wearing sports shoes, make sure they have suitable soles, preferably made of rubber or other non-slip materials. Shoes with heels, leather soles, studs or spikes are unsuitable. Never exercise barefoot.

CAUTION

- + If your equipment needs to be connected to the power supply with a mains cable, make sure that the cable is not a potential tripping hazard.
- + Make sure that nobody is within the range of motion of the equipment during training so as not to endanger you or other persons.

ATTENTION

- + Do not insert any objects of any kind into the openings of the device.

1.3 Set-Up Place

WARNING

- + Do not place the equipment in main corridors or escape routes.

CAUTION

- + Choose a location in which to place the equipment such that there is enough free space/clearance to the front, the rear and to the sides of the equipment.
- + The training room should be well ventilated during training and not be exposed to any draughts.
- + Choose the place in which to set up the equipment such that there is enough free space/clearance to the front, the rear and to the sides of the equipment.
- + The set-up and mounting surface of the equipment should be flat, loadable and solid.

ATTENTION

- + The device may only be used in one building, in sufficiently tempered and dry rooms (ambient temperatures between 10°C and 35°C). The equipment should not be used outdoors or in rooms with high humidity (over 70%) like swimming pools.
- + A floor protective mat/equipment underlay can help to protect high-quality floor coverings (parquet, laminate, cork, carpets) from dents and sweat and can help to level out slight unevenness.

2.1 General Instructions

DANGER

- + Do not leave any tools, packaging materials such as foils or small parts lying around, as otherwise there is a danger of suffocation for children. Keep children away from the equipment during assembly.

WARNING

- + Pay attention to the instructions attached to the equipment in order to reduce the risk of injuries.

CAUTION

- + Ensure to have sufficient room for movement in each direction during assembly.
- + The assembly of the equipment must be carried out by at least two adults. If in doubt, seek the help of a third technically skilled person.

ATTENTION

- + To prevent damage to the equipment and the floor, assemble the equipment on a mat or packaging board.

NOTICE

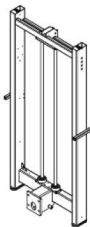



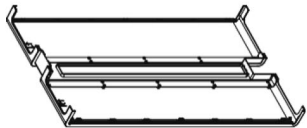



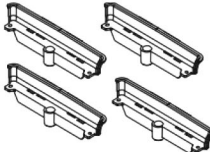

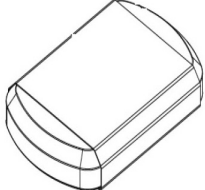
- + In order to make the assembly as simple as possible, some screws and nuts to be used can already be pre-assembled.
- + Ideally, assemble the equipment at its later set-up place.

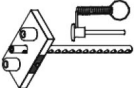
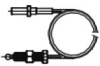
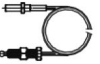










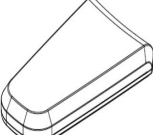
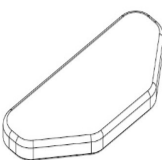
2.2 Scope of Delivery

The scope of delivery consist of the following parts. At the beginning, check whether all parts and tools belonging to the device are included in the scope of delivery and whether damage has occurred. In the event of complaints, the contractual partner must be contacted directly.

CAUTION

- If parts of the scope of delivery are missing or damaged, the assembly must not be carried out.

Number	Name		Quantity
001	Frame		1
013	Pulley set (φ114)		1
012	Pulley set (φ89)		1
004	Pulley baffle		1
005 + 008 + 006	Left shield + rear middle trim + right shield		1
005 + 009 + 006	Left shield + front middle trim + right shield		1
007	Side shield		2
010	Tray		2
011	Connecting strip		4
67	10lb weight stack plate		18
83	Seat pad		1

68	10lb weight stack plate		1
65	Cable set 1		1
66	Cable set 2		1
38	Left arm		1
39	Right arm		1
37-1	Joint frame		2
35-2	Left cam frame		1
36-2	Right cam frame		1
34-2	Upper frame		1
41	Left handle frame		1
42	Right handle frame		1
33-2	Main frame		1
43	Pulley cage		1
81	Chest pad		1
82	Head cushion		1

2.3 Assembly

Before assembly, take a close look at the individual assembly steps shown and carry out the assembly in the order given.

① NOTICE

First loosely screw all parts together and check that they fit properly. Tighten the screws using the tool only when you are instructed to do so.

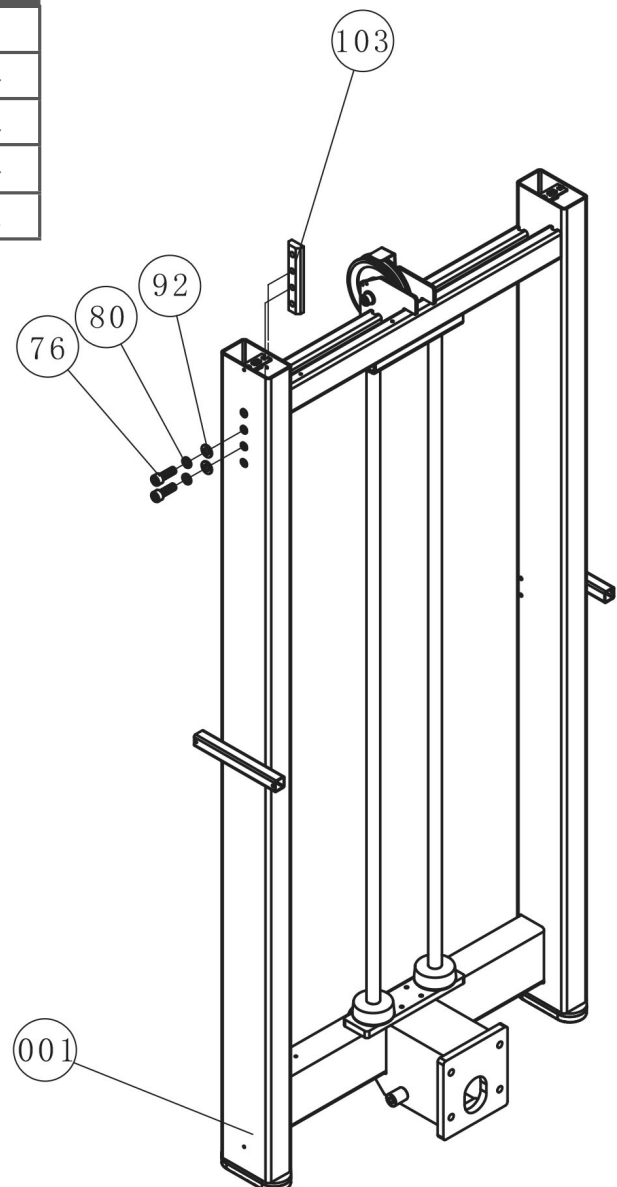
Step 1: Assembly of the Frame

① NOTICE

Make sure to use the two middle holes.

Fix one plate with holes (103) to each side of the frame (001) with two screws (76), two spring washers (80) and two flat washers (92) each.

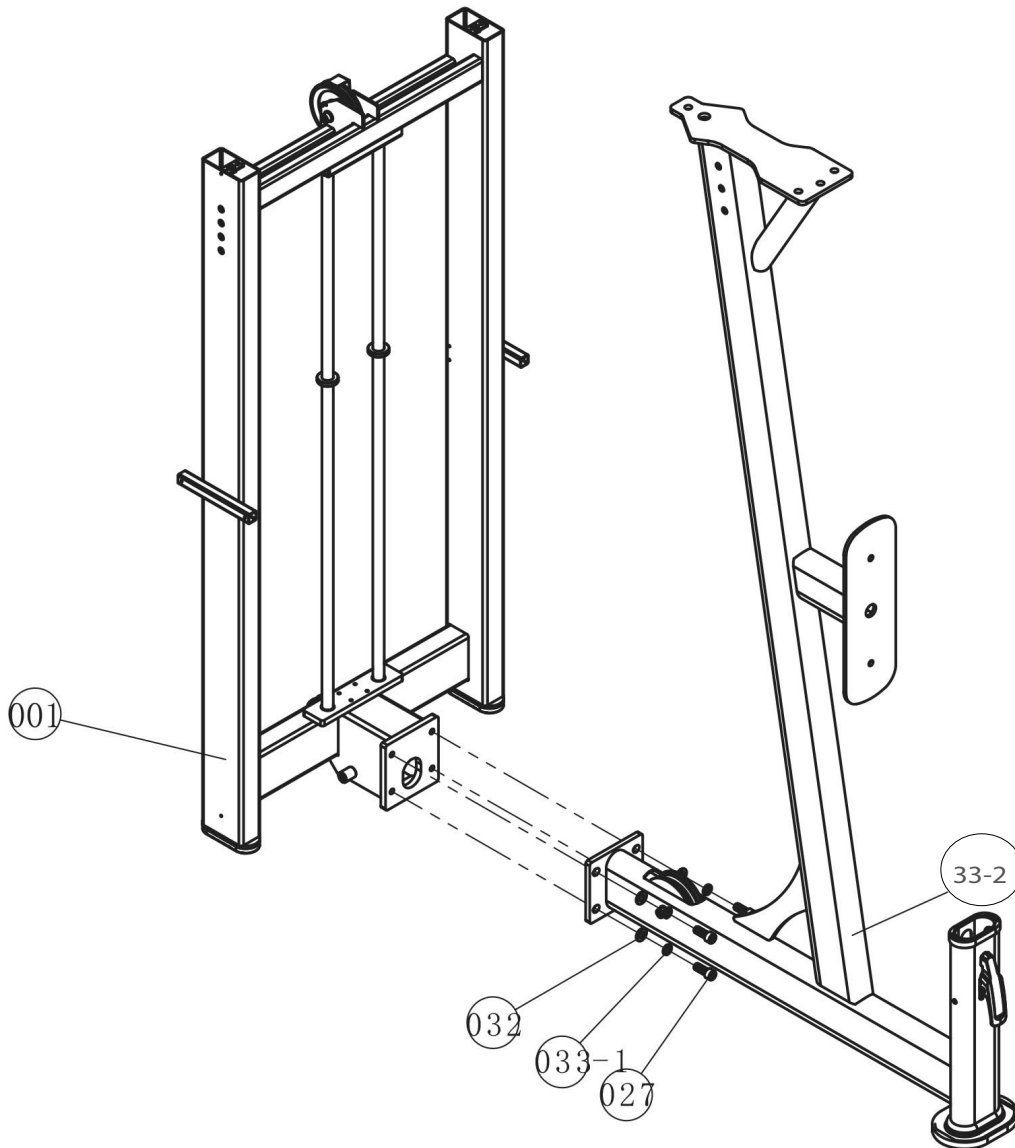
No.	Name	Specification	Qty.
001	Frame		1
76	Hex socket head cap screw	M10*30	4
80	Spring washer	M10	4
92	Flat washer	Φ20*Φ10.5*2	4
103	Plate with four screw holes		2



Step 2: Assembly of the Main Frame

Fix the main frame (33-2) to the frame (001) with four screws (027), four spring washers (033-1) and four flat washers (032).

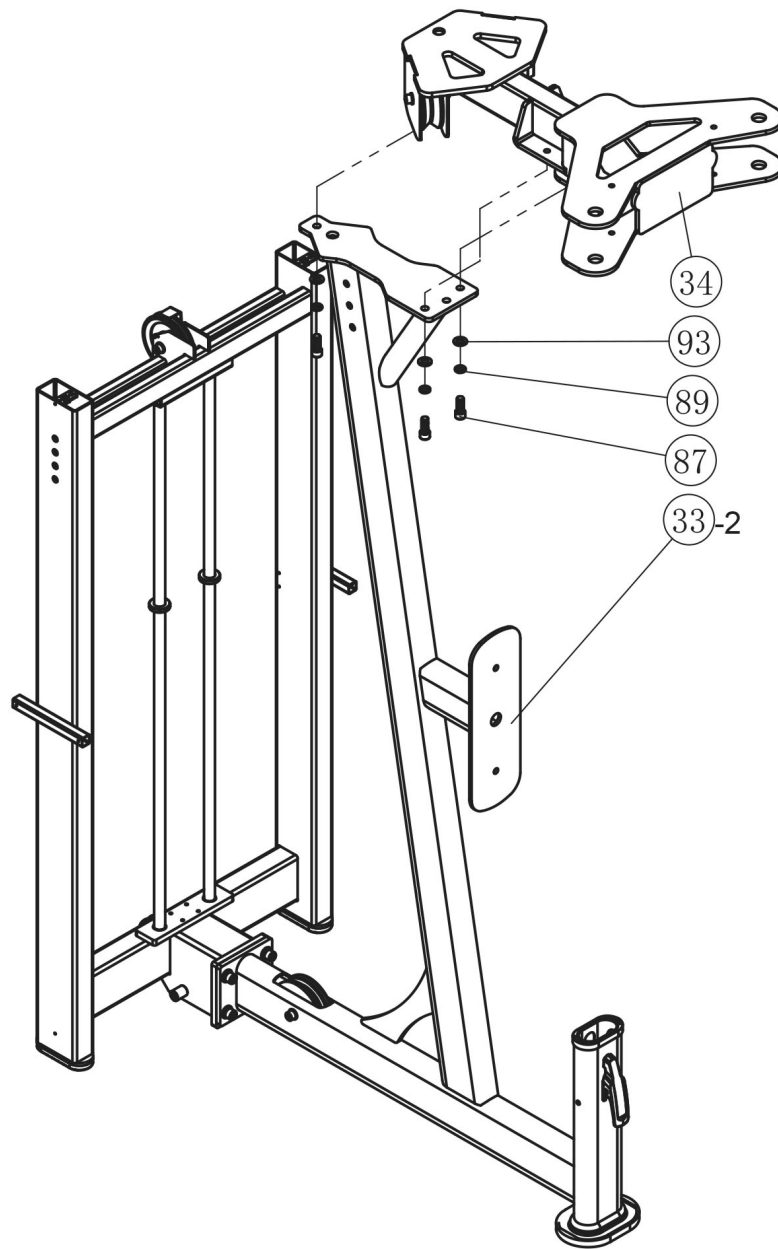
No.	Name	Specification	Qty.
001	Frame		1
027	Hex socket countersunk head screw	M12*30	4
032	Flat washer	Φ24*Φ13*2.5	4
033-1	Spring washer	M12	4
33-2	Main frame		1



Step 3: Assembly of the Upper Frame

Fix the upper frame (34-2) to the main frame (33-2) with three screws (87), three spring washers (89) and three flat washers (93).

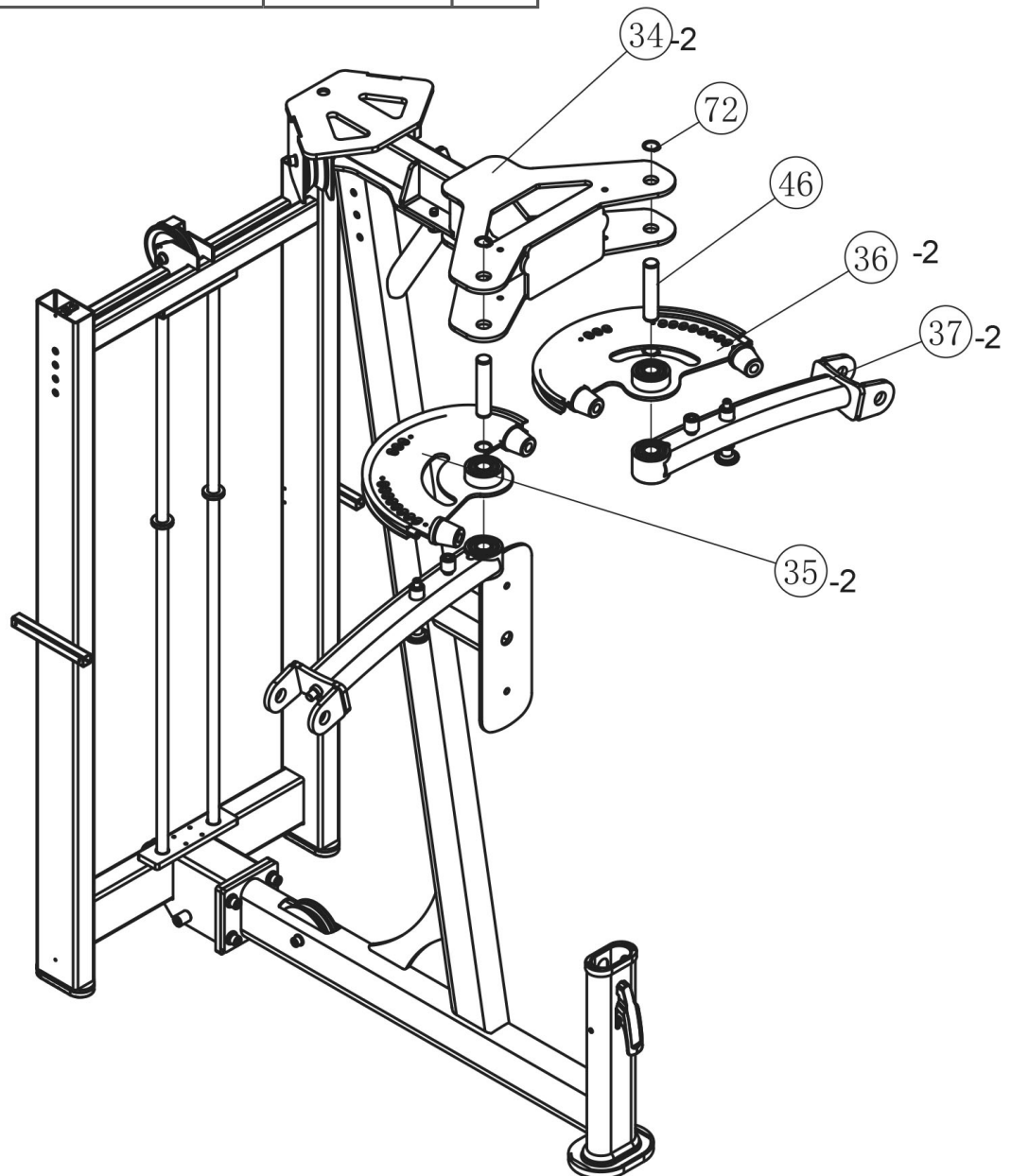
No.	Name	Specification	Qty.
33-2	Main frame		1
34-2	Upper frame		1
87	Hex socket head cap screw	M12*30	3
89	Spring washer	M12	3
93	Flat washer	Φ24*Φ13*2.5	3



Step 4: Assembly of the Cam Frames and Joint Frame

1. Place the right cam frame (36-2) and one joint frame (37-2) between the lower and upper part of the upper frame (34-2).
2. Slide through one axle (46) and secure with two circlips for shaft (72).
3. Repeat the procedure with the left cam arm (35-2).

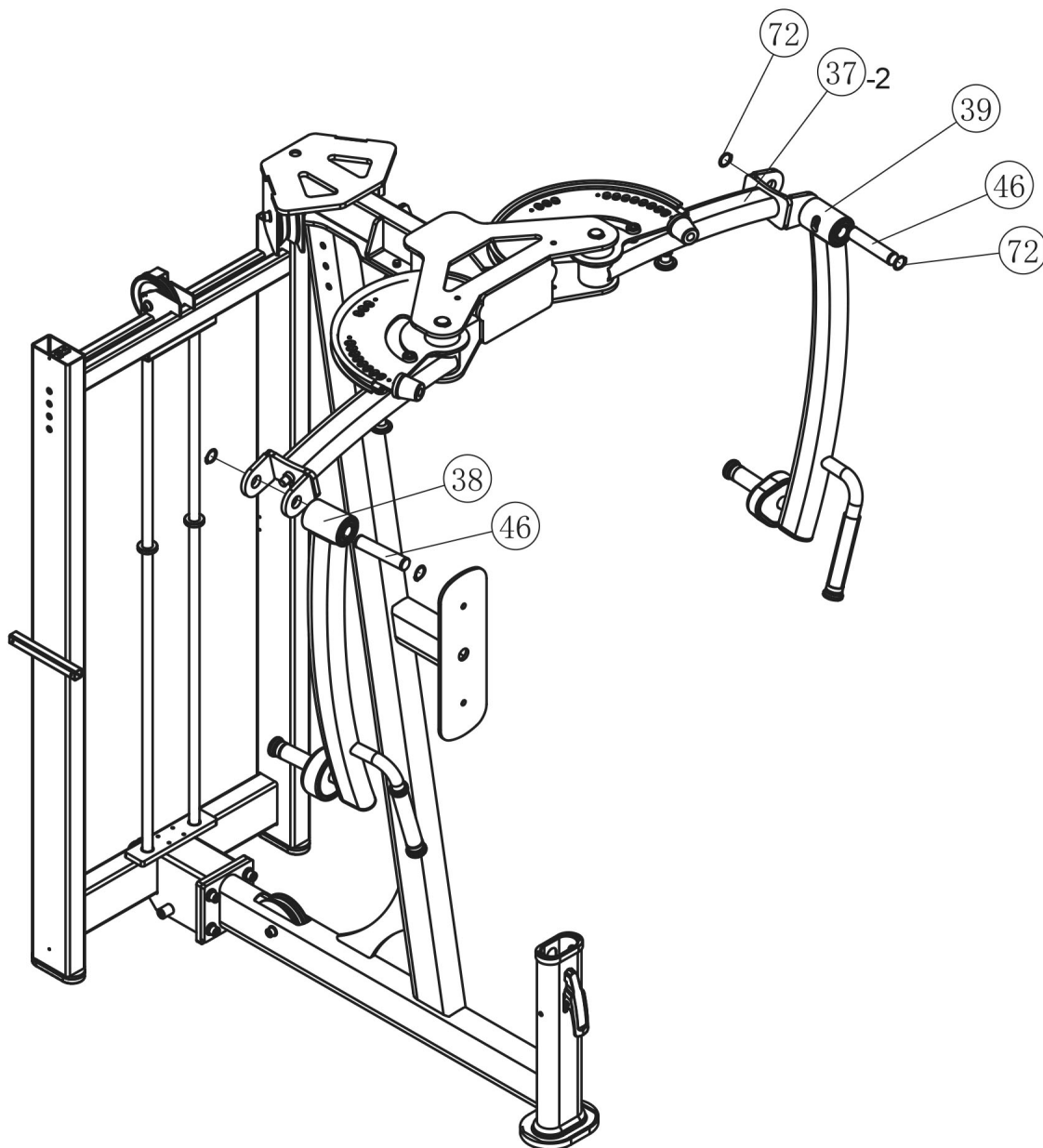
No.	Name	Specification	Qty.
34-2	Upper frame		1
35-2	Left cam frame		1
36-2	Right cam frame		1
37-2	Joint frame		2
46	Axle	Φ25*120	2
72	Circlips for shaft	d0=25	4



Step 5: Assembly of the Arms

1. Insert the right arm (39) into the joint frame (37-2) and secure with one axle (46) and two circlips for shaft (72).
2. Repeat the procedure with the left arm (38).

No.	Name	Specification	Qty.
37-2	Joint frame		2
38	Left arm		1
39	Right arm		1
46	Axle	Φ25*120	2
72	Circlips for shaft	d0=25	4

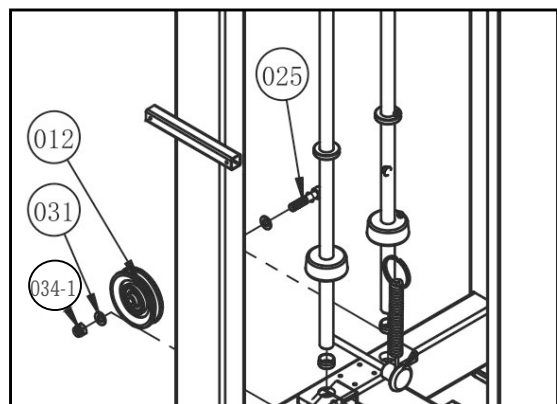
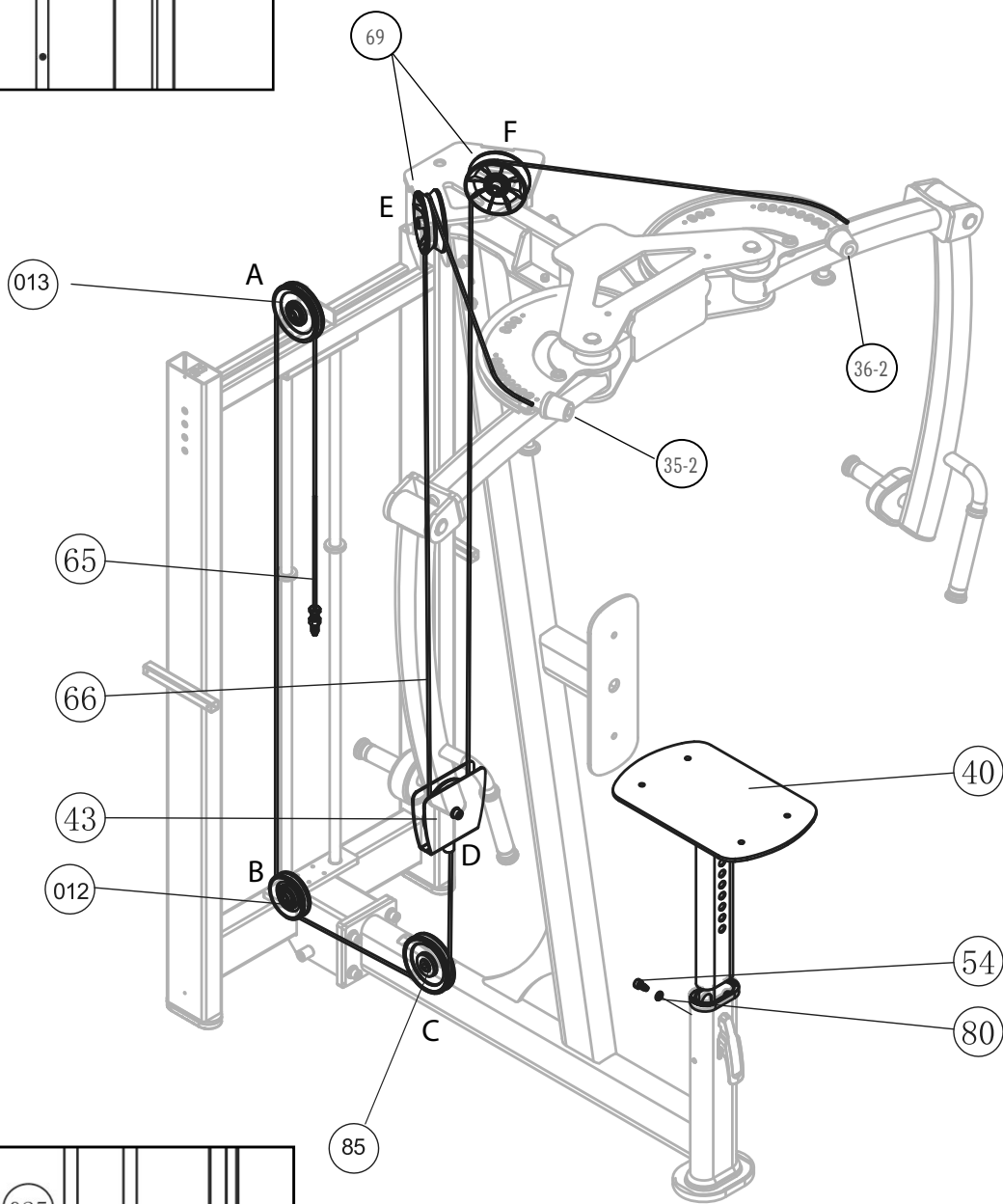
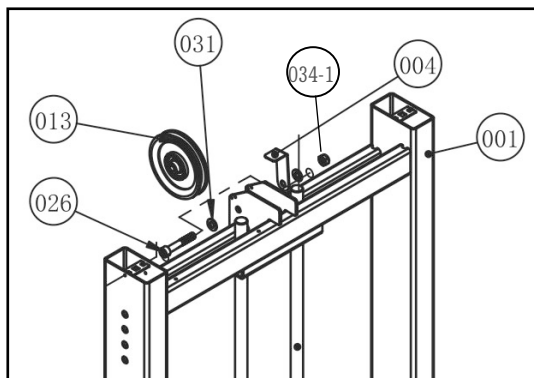


Step 6: Assembly of the Seat Adjusting Bracket, Pulleys and Cable Routing

① NOTICE

- + The majority of the pulleys are pre-assembled when delivered. These pulleys (69 and 85) need to be disassembled in order to perform the cable routing.
 - + The two pulleys (012 and 013) for the frame are not pre-assembled.
1. Insert the seat adjusting bracket (40) into the main frame (33-2) and secure with one limiting screw (54) and one spring washer (80).
 2. Pass the cable set 1 (65) over the pulley set (013, point A) and fix the pulley set (013) to the upper side of the frame (001) and pulley baffle (004) with the pre-assembled screw (026), two flat washers (031) and one nut (034-1).
 3. Pass the cable set 1 (65) down and under the pulley set (012, point B) and fix the pulley set (012) to the lower side of the frame (001) with the pre-assembled screw (025), two flat washers (031) and one nut (034-1).
 4. Disassemble the pulley (85, point C) and pass the cable set 1 (65) under the pulley (85) and reassemble the pulley (85).
 5. Screw in the cable end of cable set 1 (65) into the pulley cage (43).
 6. Disassemble the pulley within the pulley cage (43, point D) and pass the cable set 2 (66) under the pulley and reassemble the pulley. Make sure the cable ends are the same length.
 7. Disassemble the pulley (69, point E) and pass one end of the cable set 2 (66) over the pulley (69) and reassemble the pulley (69).
 8. Disassemble the pulley (69, point F) and pass the other end of cable set 2 (66) over the pulley (69) and reassemble the pulley (69).
 9. Screw in the cable ends of cable set 2 (66) into the left and right cam frames (35-2 & 36-2).

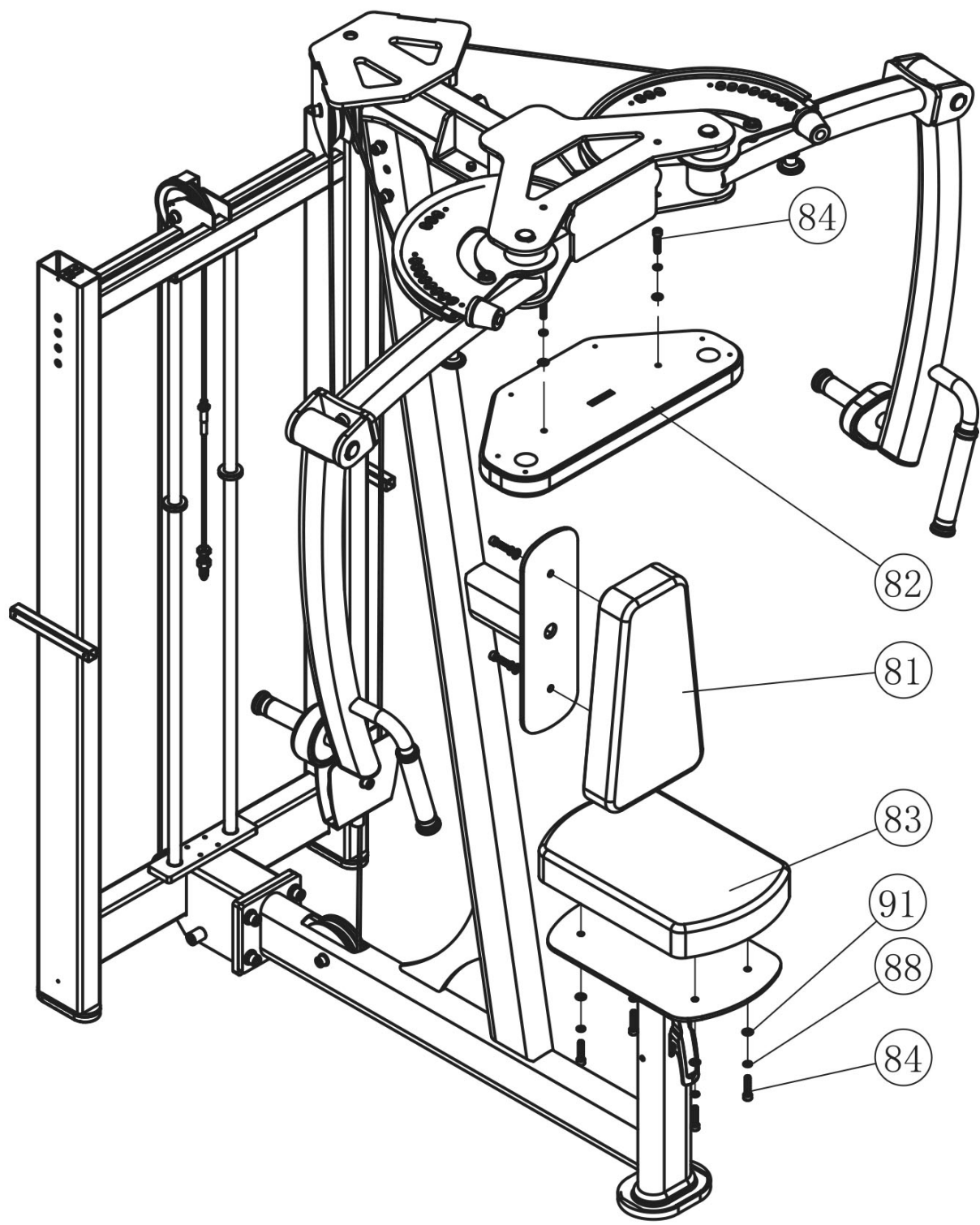
No.	Name	Specification	Qty.
012	Pulley set	φ89*25.8	1
013	Pulley set	φ114*32	1
40	Seat adjusting bracket		1
43	Pulley cage		1
54	Limiting screw		1
65	Cable set 1		1
66	Cable set 2		1
80	Spring washer	M10	1



Step 7: Assembly of the Cushions

1. Fix the head cushion (82) to the upper frame (34-2) with two screws (84), two spring washers (88) and two flat washers (91).
2. Fix the chest pad (81) to the main frame (33-2) with two screws (84), two spring washers (88) and two flat washers (91).
3. Fix the seat pad (83) to the seat adjusting bracket (40) with four screws (84), four spring washers (88) and four flat washers (91).

No.	Name	Specification	Qty.
81	Chest pad		1
82	Head cushion		1
83	Seat pad		1
84	Hex socket head cap screw	M8*30	8
88	Spring washer	M8	8
91	Flat washer	Φ16*Φ8.4*1.6	8



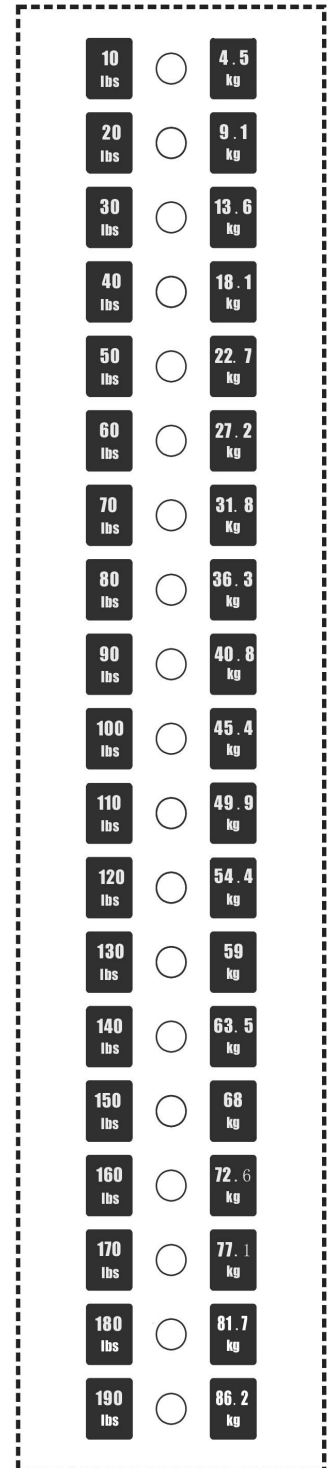
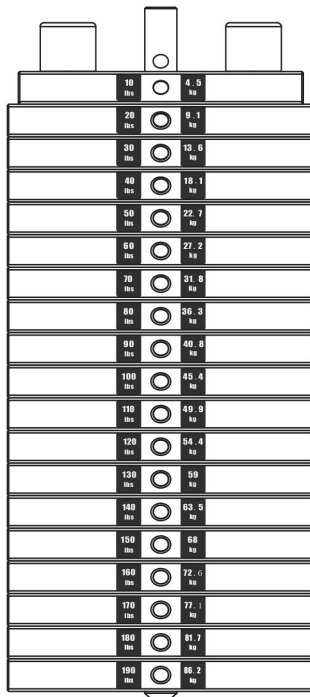
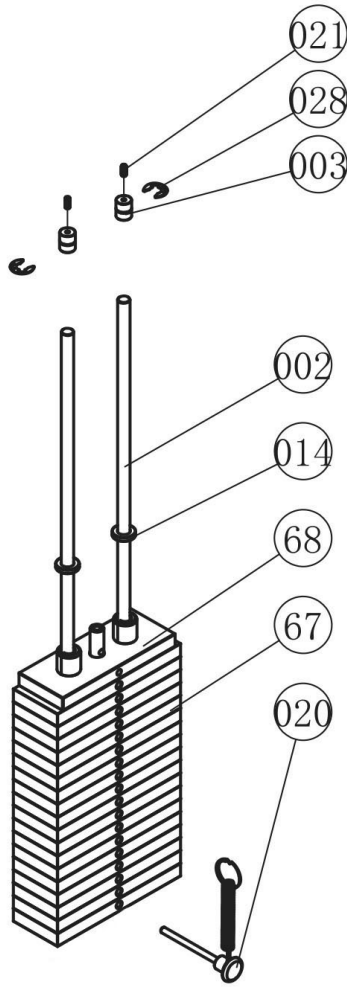
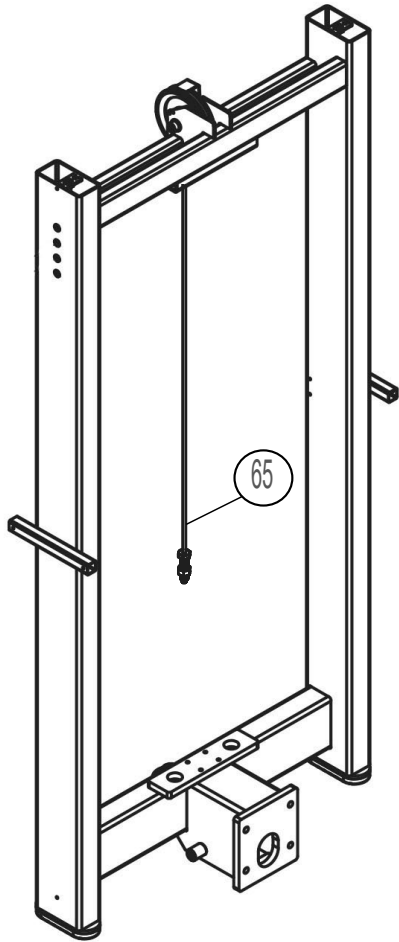
Step 8: Assembly of the Weight Plates and Labels

① NOTICE

The guide rods are pre-assembled to the frame.

1. Disassemble the upper part of the guide rods (002) by removing the screws (021), the guide rod fixing sleeves (003), the split washers (028) and the bumpers (014).
2. Carefully slide each of the weight stack plates (67) over the guide rods (002) one by one.
3. Carefully slide the top weight plate (68) over the guide rods (002).
4. Insert the select pin set (020) into the weight stack.
5. Slide the previously removed bumpers (014) back over the guide rods (002).
6. Fix the guide rods (002) to the upper part of the frame (001) with the previously removed screws (021), guide rod fixing sleeves (003) and split washers (028).
7. Screw in the cable end (65) into the top weight plate (68).
8. Wipe the front surface of the weight stack.
9. Peel off the adhesive back sheet from the label and make sure the label remains attached to the application tape.
10. Align the center hole of the label with the weight stack center hole.
11. Line up the first label to the hole of the top plate.
12. Make sure the label is straight, then slowly press into place.
13. Gently remove the application tape and rub each label firmly against the weight stack.
14. Allow the labels to stand for at least 24 hours.

No.	Name	Specification	Qty.
002	Guide rod		2
003	Guide rod fixing sleeve		2
014	Bumper	Φ38*Φ21*10	2
020	Select pin set		1
021	Hex socket set s with cone	M8*20	2
028	Split washer	d=20	2
67	10lb weight stack plate		18
68	10 lb top weight		1



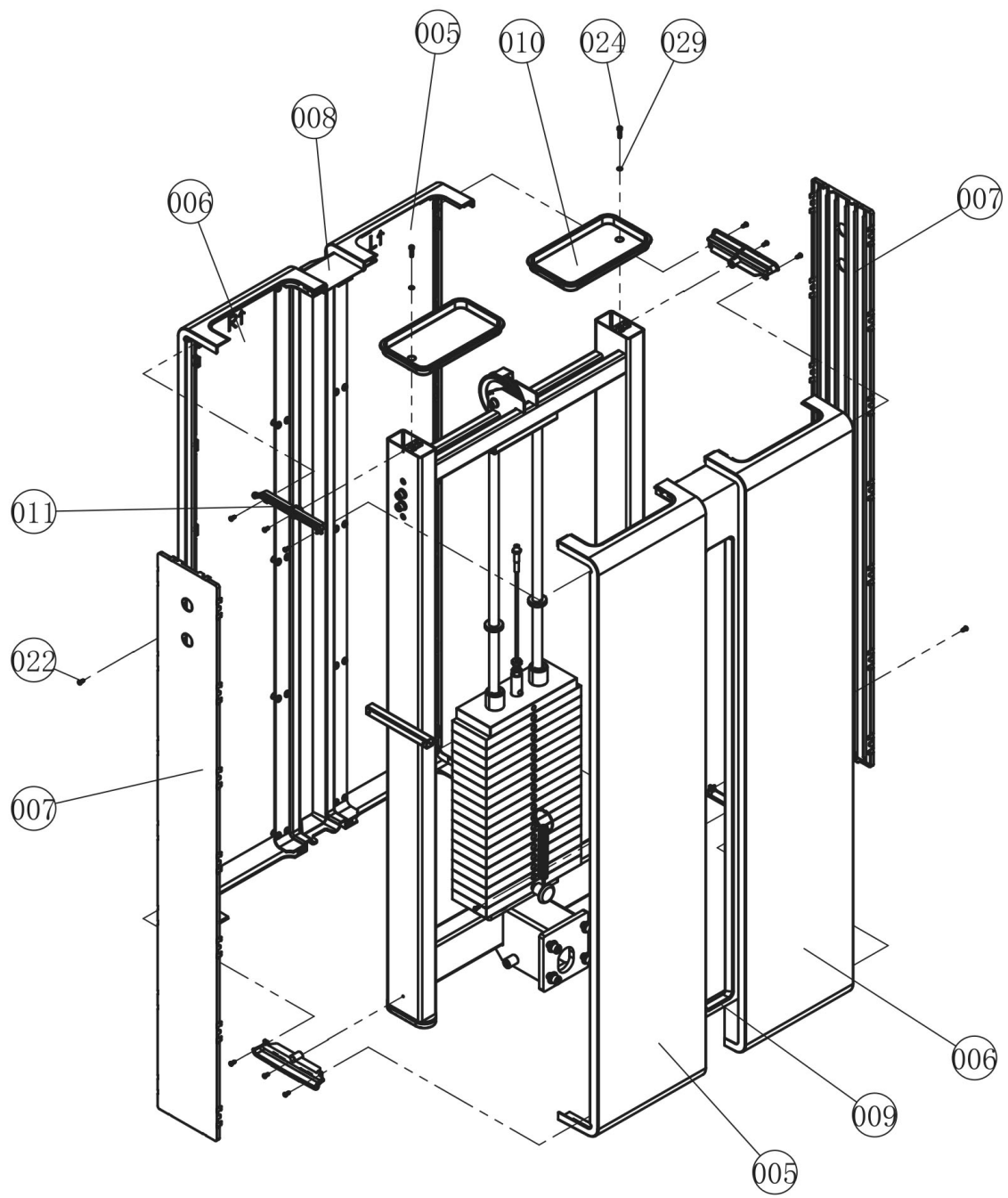
Step 9: Assembly of the Shields and Trims

① NOTICE

The left and right shields are pre-assembled with a front or rear middle trim. Make sure to align the shields in the respective direction (front/rear).

1. Fix the left and right shields (005 & 006) with the rear and front middle trim (008 & 009) to the frame (001) with four screws (022).
2. Fix the side shields (007) to the frame (001) with four connecting strips (011) with twelve screws (022).
3. Fix the trays (010) to the frame (001) with two screws (024) and two flat washers (029).

No.	Name	Specification	Qty.
005 + 008 + 006	Left shield + rear middle trim + right shield		1
005 + 009 + 006	Left shield + front middle trim + right shield		1
007	Side shield		2
010	Tray		2
011	Connecting strip		4
022	Cross recessed countersunk head screw	ST4.2*13	16
024	Hex socket countersunk head screw	M5*25	2
029	Flat washer	Φ10*Φ5.3*1	2

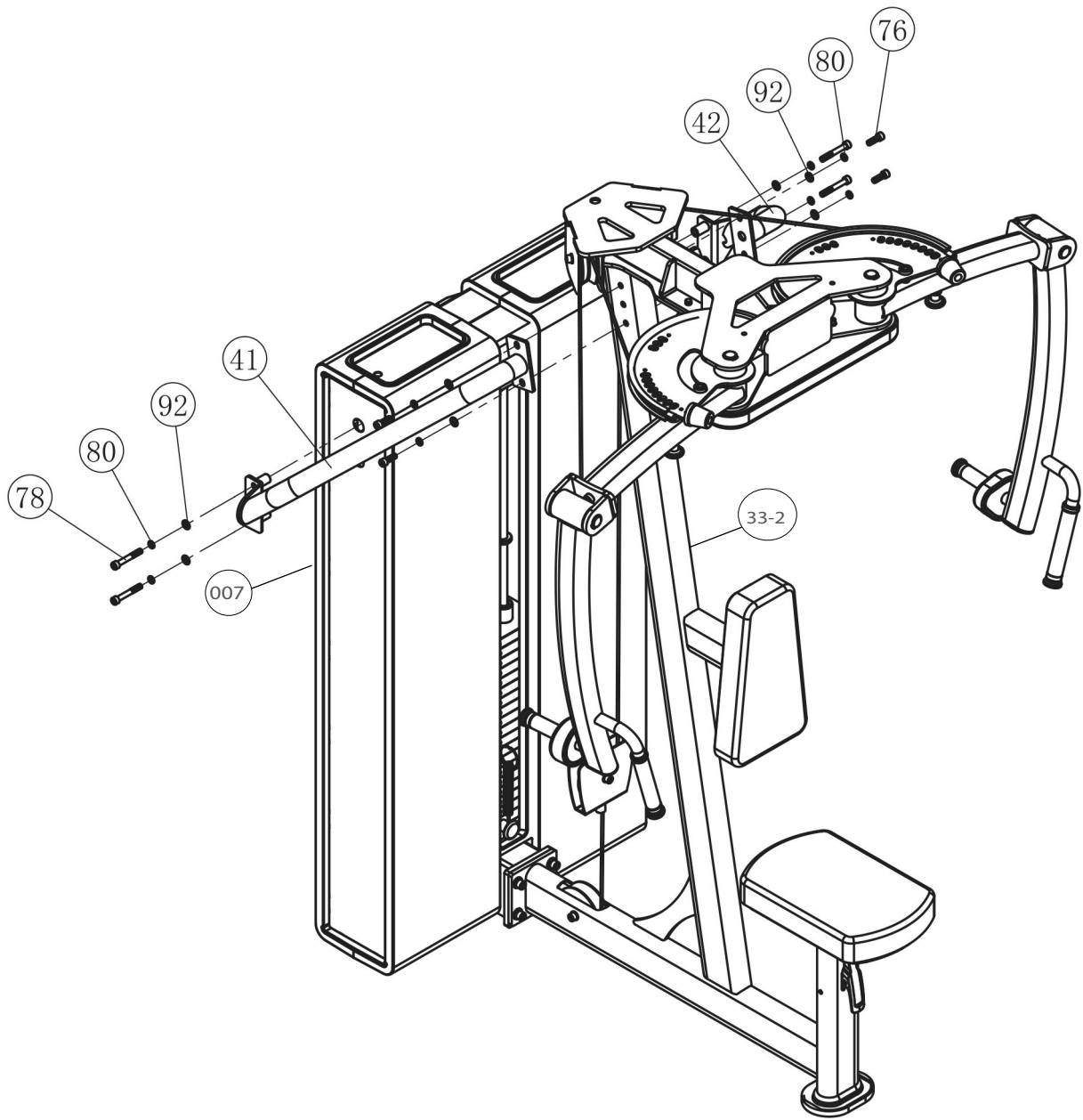


Step 10: Assembly of the Handle Frames

1. Fix the left handle frame (41) to the side shield (007) with two screws (78), two spring washers (80) and two flat washers (92).
2. Fix the left handle frame (41) to the main frame (33-2) with two screws (76), two spring washers (80) and two flat washers (92).
3. Repeat steps 1 and 2 with the right handle frame (42).

→ *The assembly is completed.*

No.	Name	Specification	Qty.
41	Left handle frame		1
42	Right handle frame		1
76	Hex socket head cap screw	M10*30	4
78	Hex socket head cap screw	M10*70	4
80	Spring washer	M10	8
92	Flat washer	Φ20*Φ10.5*2	8



3.1 General Instructions

⚠ WARNING

- + The storage location should be chosen so that improper use by third parties or children can be prevented.
- + If your equipment does not have transportation wheels, the equipment must be disassembled before transportation.

▶ ATTENTION

- + Make sure that the equipment is protected from moisture, dust and dirt in the selected storage location. The storage location should be dry and well ventilated and have a constant ambient temperature between 10°C and 35°C.

4.1 General Instructions

WARNING

- + Do not make any improper changes to the equipment.

CAUTION

- + Damaged or worn components may affect your safety and the life of the equipment. Therefore, immediately replace damaged or worn components. In such a case, contact the contract partner. The equipment must not be used until it has been repaired. If necessary, use only original spare parts.

ATTENTION

- + In addition to the instructions and recommendations for maintenance and care given here, additional service and/or repair work may be necessary; this must only be carried out by authorised service technicians.

4.2 Faults and Fault Diagnosis

The equipment undergoes regular quality controls during production. Nevertheless, faults or malfunctions may occur. Frequently, individual parts are responsible for these disturbances, an exchange is usually sufficient. Please refer to the following overview for the most common errors and how to correct them. If the equipment still does not function properly, contact your contract partner.

Fault	Cause	Solution
Grinding noises	Cables or pulleys do not run smoothly or are damaged	+ Visual inspection of the cable routing or the pulley guide + If damaged, replace the defective part
Weight hanging in the air	Cable tensioned too tight	Readjust cable tension
Cable without tension	Cable too loose	+ Check cable routing + Readjust cable tension
Squeaking & cracking noises	Screw connections loosened or too tight	+ Check or lubricate screw connections + Check cable routing
Unit wobbles	+ Uneven ground + Loose screw connections	+ Align unit + Tighten screw connections
Heavy draught	+ Weight holders/guide rods too dry + Faulty cable routing	+ Lubricate guide rods + Check cable routing

4.3 Maintenance and Inspection Calendar

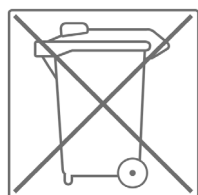
To avoid damage from body sweat, the equipment must be cleaned with a damp towel (no solvents!) after each training session.

The following routine tasks must be performed at the specified intervals:

Part	Weekly	Monthly
Cables	C	I
Screw connections		I
Pulleys and cable routing		I
Slide rails/Guide rods		I
Cushions	C	
Legend: C = clean; I = inspect		

5 DISPOSAL

At the end of its operational life, this equipment cannot be disposed of in normal household waste. Instead, it must be disposed of via a recycling centre. Further information can be obtained from your local authority's recycling service.



The materials can be recycled as per their symbols. Through the reuse, recycling of materials or other forms of recovery of old equipment, you make an important contribution to the protection of the environment.

6 RECOMMENDED ACCESSORIES

To make your training experience even more efficient and pleasant, we recommend that you add suiting accessories to your fitness equipment. This could be a floor mat, for example, which makes your fitness equipment stand more securely and also protects the floor from falling sweat, but it could also be additional handrails on some treadmills or silicone spray to keep moving parts in good shape.

If you have purchased a fitness machine with pulse training and want to train your heart rate, we strongly recommend that you use a compatible chest strap, as this ensures optimum transmission of the heart rate. You may want to buy additional grips or weights for multi gyms.

Our range of accessories offers the highest quality and makes training even better. If you would like to find out more about compatible accessories, please go to the detail page of the product in our webshop (the easiest way is to enter the article number in the search field above) and go to the recommended accessories on this page. Of course, you can also contact our customer service: by telephone, e-mail, in one of our branches or via our social media channels. We will be happy to advise you!



floor mat



chest strap



chest strap contact gel



towels



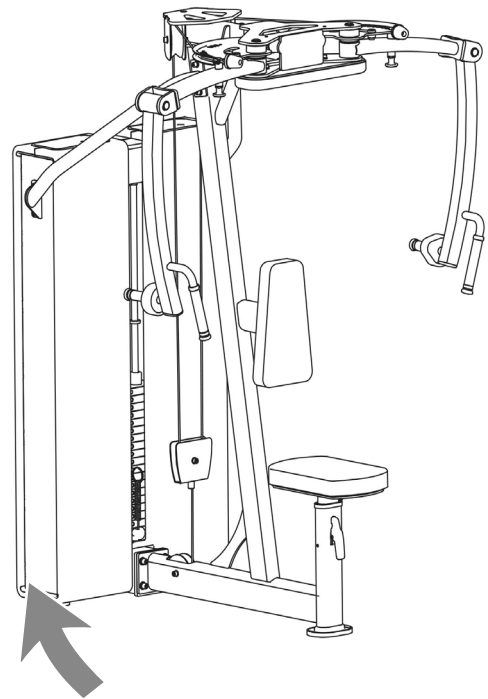
silicone spray

7.1 Serial Number and Model Name

In order to provide you with the best possible service, please have the model name, article number, serial number, exploded drawing and parts list ready. The corresponding contact options can be found in chapter 9 of this operating manual.

NOTICE

The serial number of your equipment is unique. It's located on a white sticker. The exact position of this sticker is shown in the following illustration.



Enter the serial number in the appropriate field.

Serial number:

Brand / Category:

Taurus / multi gym

Model Name:

Dual Pro Pec Fly & Rear Delt

SKU:

SESS7132

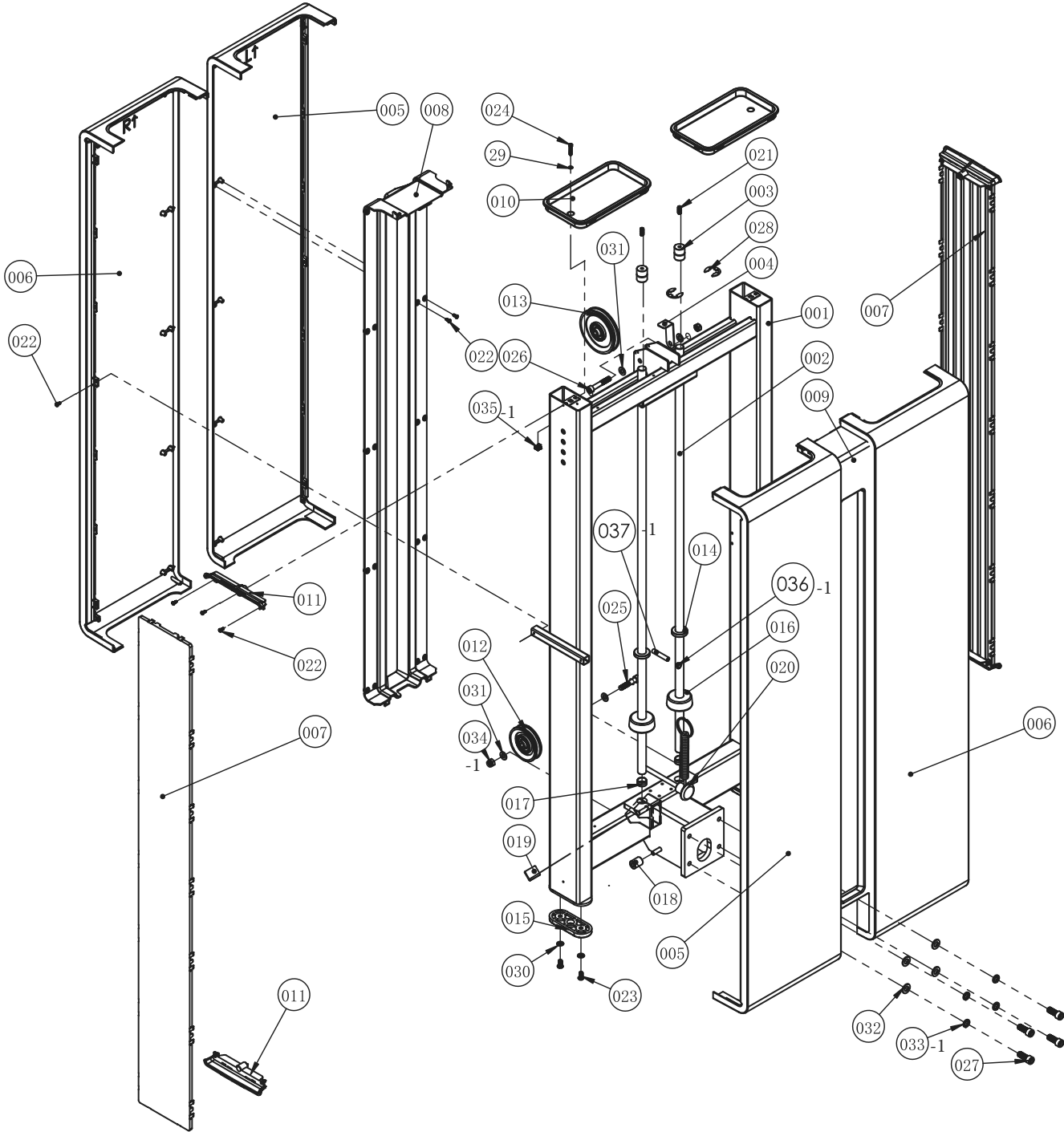
7.2 Parts List

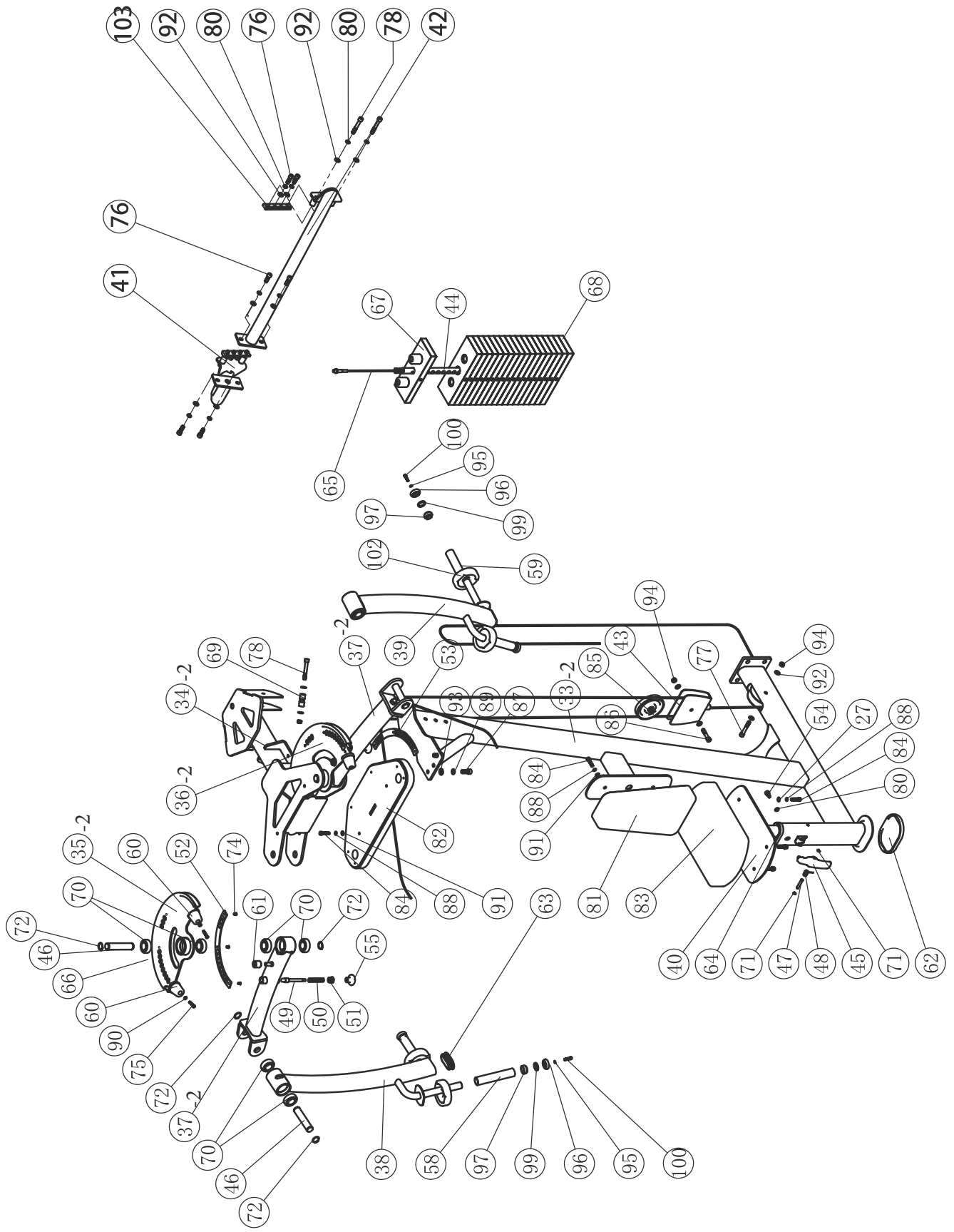
No.	Name	Specification	Qty.
001	Frame		1
002	Guide rod		2
003	Guide rod fixing sleeve		2
004	Pulley baffle		1
005	Left Shield		2
006	Right Shield		2
007	Side Shield		2
008	Rear middle Trim		1
009	Front middle Trim		1
010	Tay		2
011	Connecting strip		4
012	Pulley set	φ89*25.8	1
013	Pulley set	φ114*32	1
014	Bumper	φ38*φ21*10	2
015	Floor mat		2
016	Bumper	φ62*φ20*26	2
017	Guide rod upper cap		2
018	Hook stop collar		2
019	Single Side glue cushion	25*35*3	1
020	Select Pin Set		1
021	Hexagon Socket Set S with Cone	M8*20	2
022	Cross recessed countersunk head screw	ST4.2*13	56
023	Button Head Inner Hexagon Bolt	M8*16	4
024	Hexagon socket countersunk head screws	M5*25	2
025	Hexagon socket countersunk head screws	M10*50	1
026	Hexagon socket countersunk head screws	M10*60	1
027	Hexagon socket countersunk head screws	M12*30	4
028	Split Washer	d=20	2
029	Flat washer	Φ10*Φ5.3*1	2
030	Flat washer	Φ16*Φ8.4*1.6	4
031	Flat washer	Φ20*Φ10.5*2	4
032	Flat washer	Φ24*Φ13*2.5	4

033-1	Spring washer	M12	4
034-1	Nylon nut	M10	2
035-1	Nut	M5	2
036-1	Stopple	Φ10*Φ5.3*1	1
037-1	Elastic cylindrical pin	φ10*45	1
33-2	Main frame		1
34-2	Upper frame		1
35-2	Left cam frame		1
36-2	Right cam frame		1
37-2	Joint frame		2
38	Left arm		1
39	Right arm		1
40	Seat adjusting bracket		1
41	Left handle frame		1
42	Right handle frame		1
43	Pulley cage		1
44	19holes shaft		1
45	Adjusting handle		1
46	Axle	Φ25*120	4
47	Fixed axle	Φ8*44	1
48	Torsion spring	Φ2*Φ11.5*30	1
49	Adjusting plunger		2
50	Spring	Φ1.4*Φ12.5*70	2
51	M20 nut		2
52	Left adjustment sheet		1
53	Right adjustment sheet		1
54	Limiting screw		1
55	Rotary knob		2
58	Handle grip	Φ31.5*Φ24*150	2
59	Handle grip	Φ31.5*Φ24*110	2
60	Rubber bumper	Φ43*Φ33*40	4
61	Rotary locating bush	Φ25*Φ12*25	2
62	Rubber mat		1
63	Elliptical tube stopper		2
64	sliding sleeve		2

65	Cable set 1		1
66	Cable set 2		1
67	10lb weight stack plate		18
68	10lb counterweight		1
69	Wide pulley	Φ116*47	2
70	Steps rolling bearing	Φ52*Φ25*18	12
71	Split washer	d=6	2
72	Circlips for shaft	d0=25	8
74	Cross recessed countersunk head screw	M5*10	6
75	Hex socket head cap screw	M6*30	4
76	Hex socket head cap screw	M10*30	8
77	Hex socket head cap screw	M10*65	1
78	Hex socket head cap screw	M10*70	6
80	Spring washer	M10	13
81	Chest pad		1
82	Head cushion		1
83	Seat pad		1
84	Hex socket head cap screw	M8*30	8
85	pulley		2
86	Hex socket head cap screw	M10*50	1
87	Hex socket head cap screw	M12*30	3
88	Spring washer	M8	8
89	Spring washer	M12	3
90	Flat washer	Φ12*Φ6.4*1.6	4
91	Flat washer	Φ16*Φ8.4*1.6	8
92	Flat washer	Φ20*Φ10.5*2	22
93	Flat washer	Φ24*Φ13*2.5	3
94	Nut	M10	4
95	Spring washer	M6	4
96	Aluminum end cap		4
97	aluminium ring	Φ32*Φ23*14.5	4
99	plastick ring	Φ30*Φ26*4.5	4
100	Hex socket head cap screw	M6*25	4
102	Hand rubber bumper		4
103	Plate with four screw holes		1

7.3 Exploded Drawing





Training equipment from Taurus® is subject to strict quality control. However, if a fitness equipment purchased from us does not work perfectly, we take it very seriously and ask you to contact our customer service as indicated. We are happy to help you by phone via our service hotline.

Error Descriptions

Your fitness equipment is developed for long-term, high-quality training. However, should a problem arise, please first read the operating instructions. For further assistance, please contact your contract partner or call our service hotline. To ensure your problem is solved as quickly as possible, please describe the defect as exactly as possible.

In addition to the statutory warranty, we provide a warranty for every fitness equipment purchased from us according to the following provisions.

Your statutory rights are not affected.

Warranty

The warranty is the first/original buyer and/or any person who received a newly purchased product as a gift from the original buyer.

Warranty period

The warranty periods, shown on our web shop, begin on delivery of the fitness equipment. The respective warranty periods for your equipment can be found on its product website.

Repair Costs

According to our choice, there will either be a repair, a replacement of individual damaged parts or a complete replacement. Spare parts, that have to be mounted while assembling the equipment, have to be replaced by the warranty personally and are not a part of repair. After the expiration of the warranty period for repair costs, a pure parts warranty applies, which does not include the repair, installation and delivery costs.

The terms of use are defined as follows:

- + Home use: solely for private use in private households up to 3 hours per day
- + Semi-professional use: up to 6 hours per day (e. g. rehabilitation centres, hotels, clubs, company gyms)
- + Professional use: more than 6 hours per day (e. g. commercial gyms)

Warranty Service

Within the warranty period, equipment which develops faults as a result of material or manufacturing defects, will be repaired or replaced at our discretion. Ownership of equipment or parts of equipment which have been replaced is transferred to us. The warranty period is not extended nor does a new warranty period begin following repair or replacement under the warranty.

Warranty Conditions

For the warranty to be valid, the following steps must be taken:

Please contact our customer service by email or phone. If the product under warranty has to be sent in for repair, the seller bears costs. After expiry of the warranty, the buyer bears the costs of transport and insurance. If the fault is covered by our warranty, you will receive a new or repaired equipment in return.

Warranty claims are invalid in case of damage resulting from:

- + misuse or improper handling
- + environmental influences (moisture, heat, electrical surge, dust, etc.)
- + failure to follow the current safety measures for the equipment
- + failure to follow the operating instructions
- + use of force (e. g. hitting, kicking, falling)
- + interventions which were not carried out by one of our authorized service centres
- + unauthorised repair attempts

Proof of Purchase and Serial Number

Please make sure that you are able to provide the appropriate receipt when claiming on your warranty. So that we can clearly identify the model of your equipment, and for the purposes of our quality control, you will need to give the serial number of your equipment, when contacting the service team. Where possible please have your serial number and your customer number ready when you call our service hotline. It will help us to deal with your request swiftly.




































If you cannot find the serial number on your fitness equipment, our service team is at your disposal to offer further information.

Service outside of the Warranty Period

We are also happy to issue an individual cost estimate if there is a problem with your fitness equipment after the warranty has expired, or in cases which do not fall under the terms of the warranty, e. g. normal wear and tear. Please contact our customer service team to find a quick and cost-effective solution to your problem. In such a case you will be responsible for the delivery costs.

Communication

Many problems can be solved just by speaking to us as your specialist supplier. We know how important it is to you as a user of the fitness equipment to have problems solved quickly and simply, so you can enjoy working out with minimal interruption. For that reason, we also want to resolve your queries quickly and in a straightforward manner. Thus, please always keep your customer number and the serial number of the faulty equipment handy.

DE	DK	FR
<p>TECHNICAL SUPPORT</p> <p> +49 4621 4210-900</p> <p> +49 4621 4210-698</p> <p> technik@sport-tiedje.de</p> <p> Mo - Fr 08:00 - 18:00 Sa 09:00 - 18:00</p> <p>SERVICE</p> <p> 0800 20 20277 (Freecall)</p> <p> info@sport-tiedje.de</p> <p> Mo - Fr 08:00 - 21:00 Sa 09:00 - 21:00 So 10:00 - 18:00</p>	<p>TECHNICAL SUPPORT & SERVICE</p> <p> 80 90 16 50</p> <p>+49 4621 4210-945</p> <p> info@fitshop.dk</p> <p> Mo - Fr 08:00 - 18:00 Sa 09:00 - 18:00</p>	<p>TECHNICAL SUPPORT & SERVICE</p> <p> +33 (0) 172 770033</p> <p>+49 4621 4210-933</p> <p> service-france@fitshop.fr</p> <p> Mo - Fr 08:00 - 18:00 Sa 09:00 - 18:00</p>
	PL	BE
	<p>TECHNICAL SUPPORT & SERVICE</p> <p> 22 307 43 21</p> <p>+49 4621 42 10-948</p> <p> info@fitshop.pl</p> <p> Mo - Fr 08:00 - 18:00 Sa 09:00 - 18:00</p>	<p>TECHNICAL SUPPORT & SERVICE</p> <p> 02 732 46 77</p> <p>+49 4621 42 10-932</p> <p> info@fitshop.be</p> <p> Mo - Fr 08:00 - 18:00 Sa 09:00 - 18:00</p>
UK	NL	INT
<p>TECHNICAL SUPPORT</p> <p> +44 141 876 3986</p> <p> support@powerhousefitness.co.uk</p> <p>SERVICE</p> <p> +44 141 876 3972</p> <p> Mo - Fr 9am - 5pm</p>	<p>TECHNICAL SUPPORT & SERVICE</p> <p> +31 172 619961</p> <p> info@fitshop.nl</p> <p> Ma - Do 09:00 - 17:00 Vr 09:00 - 21:00 Za 10:00 - 17:00</p>	<p>TECHNICAL SUPPORT & SERVICE</p> <p> +49 4621 4210-944</p> <p> service-int@sport-tiedje.de</p> <p> Mo - Fr 8am - 6pm Sat 9am - 6pm</p>
	AT	CH
	<p>TECHNICAL SUPPORT & SERVICE</p> <p> 0800 20 20277 (Freecall)</p> <p>+49 4621 42 10-0</p> <p> info@sport-tiedje.at</p> <p> Mo - Fr 08:00 - 18:00 Sa 09:00 - 18:00</p>	<p>TECHNICAL SUPPORT & SERVICE</p> <p> 0800 202 027</p> <p>+49 4621 42 10-0</p> <p> info@sport-tiedje.ch</p> <p> Mo - Fr 08:00 - 18:00 Sa 09:00 - 18:00</p>

Please find a detailed overview including address and opening hours for all stores of the Sport-Tiedje Group in Germany and abroad on the following website:

www.sport-tiedje.com/en/stores

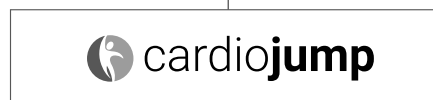
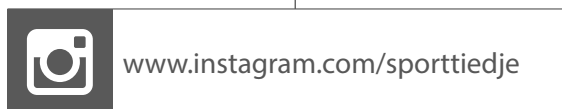
WE LIVE FITNESS

WEBSHOP AND SOCIAL MEDIA

Sport-Tiedje is Europe's largest specialist store for home fitness equipment with currently over 70 stores and one of the world's most renowned online mail order companies for fitness equipment. Private customers order via the 25 web shops in the respective national language or have their desired equipment assembled on site. In addition, the company supplies fitness studios, hotels, sports clubs, companies and physio practices with professional equipment for endurance and strength training.

Sport-Tiedje offers a wide range of fitness equipment from renowned manufacturers, high-quality in-house developments and comprehensive services, such as a build-up service and sports scientific advice before and after the purchase. The company employs numerous sports scientists, fitness trainers and competitive athletes.

Visit us also on our social media platforms or our blog!



Notes

A large grid of graph paper for taking notes, consisting of 20 columns and 30 rows of small squares.

TAURUS®

Dual Pro Pec Fly & Rear Delt