

# TAURUS®

## Assembly and Operating Instructions



max. 150 kg



~ 120 Min.



168 kg

L 176 | W 145 | H 165

FSUKSESS7004.01.01

SKU: SESS7004

**Taurus Elite Iso Low Row**



# Content

<b>1</b>	<b>GENERAL INFORMATION</b>	<b>8</b>
1.1	Technical Data	8
1.2	Personal Safety	9
1.3	Set-Up Place	10
<b>2</b>	<b>ASSEMBLY</b>	<b>11</b>
2.1	General Instructions	11
2.2	Scope of Delivery	11
2.3	Assembly	14
<b>3</b>	<b>STORAGE AND TRANSPORT</b>	<b>24</b>
3.1	General Instructions	24
<b>4</b>	<b>TROUBLESHOOTING, CARE AND MAINTENANCE</b>	<b>25</b>
4.1	General Instructions	25
4.2	Faults and Fault Diagnosis	25
4.3	Maintenance and Inspection Calendar	26
<b>5</b>	<b>DISPOSAL</b>	<b>26</b>
<b>6</b>	<b>RECOMMENDED ACCESSORIES</b>	<b>27</b>
<b>7</b>	<b>ORDERING SPARE PARTS</b>	<b>28</b>
7.1	Serial Number and Model Name	28
7.2	Parts List	29
7.3	Exploded Drawing	32
<b>8</b>	<b>WARRANTY</b>	<b>33</b>
<b>9</b>	<b>CONTACT</b>	<b>35</b>



**Dear customer,**

Thank you for choosing a high-quality equipment of the brand TAURUS®. Taurus offers sports and fitness equipment for the sophisticated home sport and the equipment of fitness studios and business customers. With Taurus fitness equipment, the focus is on what sport is all about: maximum performance! Therefore, the equipment is developed in close consultation with athletes and sports scientists. Because athletes know best what makes perfect fitness equipment.

Further information can be found at [www.fitshop.co.uk](http://www.fitshop.co.uk)

**Intended Use**

The equipment may only be used for its intended purpose

This fitness equipment is suitable for home use, semi-professional use and commercial or professional use. The semi-professional sector includes, for example, institutional facilities such as hospitals, schools, hotels and associations. Professional use refers to commercial use, e.g. in a fitness studio.

**Legal Notice**

Fitshop GmbH  
Europe's No. 1 for home fitness

International Headquarters  
Flensburger Straße 55  
24837 Schleswig  
Germany

Management:  
Christian Grau  
Sebastian Campmann  
Dr. Bernhard Schenkel  
No. HRB 1000 SL  
Local Court Flensburg  
European VAT Number: DE813211547

**Disclaimer**

© TAURUS is a registered brand of the company Fitshop GmbH. All rights reserved. Any use of this trademark without the explicit written permission of Fitshop is prohibited.

Product and manual are subject to change. Technical data can be changed without advance notice.

# **FITSHOP**

Europe's No.1 for Home Fitness

## ABOUT THIS MANUAL

Please carefully read the entire manual before installation and first use. The manual will help you to quickly set up the system and explains how to safely use it. Make sure that all persons exercising with the equipment (especially children and persons with physical, sensory, mental or motor disabilities) are informed about this manual and its contents in advance. In case of doubt, responsible persons must supervise the use of the equipment.

Due to ongoing changes and software optimisations, the manual may have to be updated. If you notice any discrepancies during assembly or use, please refer to the manual uploaded to the webshop. The latest manual is always available there.



This equipment has been manufactured according to the latest safety knowledge. As far as possible, potential safety hazards which could cause injury have been eliminated. Make sure to carefully follow the instructions and that all parts are securely in place. If required, read through the instructions again to correct any mistakes.

Training devices must be classified according to accuracy and use. Accuracy classes are only applicable to devices that display training data.

### Accuracy classes

Class A: high accuracy.

Class B: medium accuracy.

Class C: low accuracy.

The use classes explain the intended use of the training device.

### Use classes

**Class S** (studio): professional and/or commercial use.

These training devices are intended for the use in training rooms of facilities such as sports clubs, school facilities, hotels, clubs and studios whose access and supervision is specifically regulated by the owner (person with legal responsibility).

**Class H** (home use): use at home.

These stationary training devices are intended for the use in private homes where access to the training device is regulated by the owner (person with legal responsibility).

Please pay close attention to the safety and maintenance instructions given here. The contract partner cannot be held liable for damage to health, accidents or damage to the equipment when it is not used in accordance with these instructions.

The following safety instructions may appear in this manual:

► **ATTENTION**

This notice indicates potentially hazardous situations which, if not avoided, may result in property damage.

⚠ **CAUTION**

This notice indicates potentially hazardous situations which, if not avoided, may result in slight or minor injuries!

⚠ **WARNING**

This notice indicates potentially hazardous situations which, if not avoided, may result in death or serious injuries!

⚠ **DANGER**

This notice indicates potentially hazardous situations which, if not avoided, will result in death or serious injuries!

ⓘ **NOTICE**

This notice indicates further useful information.

Retain these instructions in a safe place for future reference, maintenance or when ordering replacement parts.

## 1.1 Technical Data

### Weight and Dimensions

Packaging dimensions (L x W x H) and article weight (gross, incl. packaging) approx.:

Box 1:	201.5 cm x 72.5 cm x 32.5 cm	122 kg
Box 2:	108.5 cm x 76.5 cm x 43.5 cm	73.6 kg

Set-up dimensions (L x W x H) approx.: 176 cm x 145 cm x 165 cm

Article weight (net, excl. packaging) approx.: 167.5 kg

Maximum user weight:	150 kg
Maximum load weight (training):	2 x 150 kg
Maximum load weight (storage):	2 x 100 kg

Use class: S

#### **NOTICE**

This equipment is compatible with weight plates with a 50 mm hole and a maximum external diameter of 500 mm (not included in the scope of delivery).



## 1.2 Personal Safety

### **DANGER**

- + Before you start using the equipment, you should consult your physician that this type of exercise is suitable for you from a health perspective. Particularly affected are persons who: have a hereditary disposition to high blood pressure or heart disease, are over the age of 45, smoke, have high cholesterol values, are overweight and/or have not exercised regularly in the past year. If you are under medical treatment that affects your heart rate, medical advice is absolutely essential.
- + Note that excessive training can seriously endanger your health. Please also note that heart rate monitoring systems can be inaccurate. If you notice any signs of weakness, nausea, dizziness, pain, shortness of breath, or other abnormal symptoms, stop exercising immediately and seek advice from your doctor if necessary.
- + The owner must communicate all warnings and instructions to the user.

### **WARNING**

- + This equipment may not be used by children under the age of 14.
- + Children should not be allowed unsupervised access to the equipment.
- + Persons with disabilities must have a medical license and must be under strict observation when using the equipment.
- + The equipment is strictly for use by one person at a time.
- + Keep your hands, feet and other body parts, hair, clothing, jewellery and other objects well clear of moving parts.
- + During use, wear suitable sports clothing rather than loose or baggy clothing. When wearing sports shoes, make sure they have suitable soles, preferably made of rubber or other non-slip materials. Shoes with heels, leather soles, studs or spikes are unsuitable. Never exercise barefoot.
- + Always start each workout with a light warm-up and end with a cool-down phase.
- + Using the machine as a support during stretching exercises or attaching resistance bands, ropes or other accessories to it, may cause injuries.

### **CAUTION**

- + If your equipment needs to be connected to the power supply with a mains cable, make sure that the cable is not a potential tripping hazard.
- + Make sure that nobody is within the range of motion of the equipment during training so as not to endanger you or other persons.
- + Be aware that if adjustment devices are left protruding, they may impede the user's movement.
- + The weights should remain in the user's field of vision during the entire exercise to prevent danger to third parties.

### **ATTENTION**

- + Do not insert any objects of any kind into the openings of the device.

## 1.3 Set-Up Place

### ⚠ WARNING

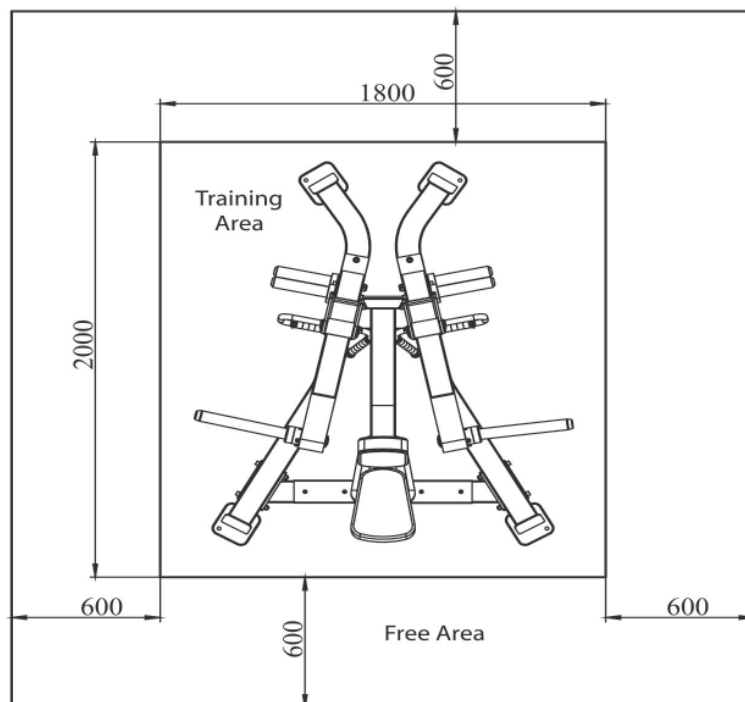
- + Do not place the equipment in main corridors or escape routes.

### ⚠ CAUTION

- + Choose a location in which to place the equipment such that there is enough free space/clearance to the front, the rear and to the sides of the equipment.
- + The training room should be well ventilated during training and not be exposed to any draughts.
- + Choose the place in which to set up the equipment such that there is enough free space/clearance to the front, the rear and to the sides of the equipment.
- + The free area in the direction from which the exercise equipment is accessed must be at least 0.6 m larger than the exercise area.
- + The set-up and mounting surface of the equipment should be flat, loadable and solid.
- + If your device is to be mounted on the wall/ceiling, make sure that you use the appropriate assembly material to avoid possible damages or personal injuries. The contractual partner accepts no liability for this.

### ▶ ATTENTION

- + The device may only be used in one building, in sufficiently tempered and dry rooms (ambient temperatures between 10°C and 35°C). The equipment should not be used outdoors or in rooms with high humidity (over 70%) like swimming pools.
- + A floor protective mat/equipment underlay can help to protect high-quality floor coverings (parquet, laminate, cork, carpets) from dents and sweat and can help to level out slight unevenness.
- + For Class S equipment, the exercise equipment may only be used in areas where access, supervision and control are specifically regulated by the owner.



### 2.1 General Instructions



#### **DANGER**

- + Do not leave any tools, packaging materials such as foils or small parts lying around, as otherwise there is a danger of suffocation for children. Keep children away from the equipment during assembly.



#### **WARNING**

- + Pay attention to the instructions attached to the equipment in order to reduce the risk of injuries.



#### **CAUTION**

- + Ensure to have sufficient room for movement in each direction during assembly.
- + The assembly of the equipment must be carried out by at least two adults. If in doubt, seek the help of a third technically skilled person.



#### **ATTENTION**

- + To prevent damage to the equipment and the floor, assemble the equipment on a mat or packaging board.



#### **NOTICE**

- + In order to make the assembly as simple as possible, some screws and nuts to be used can already be pre-assembled.
- + Ideally, assemble the equipment at its later set-up place.

### 2.2 Scope of Delivery

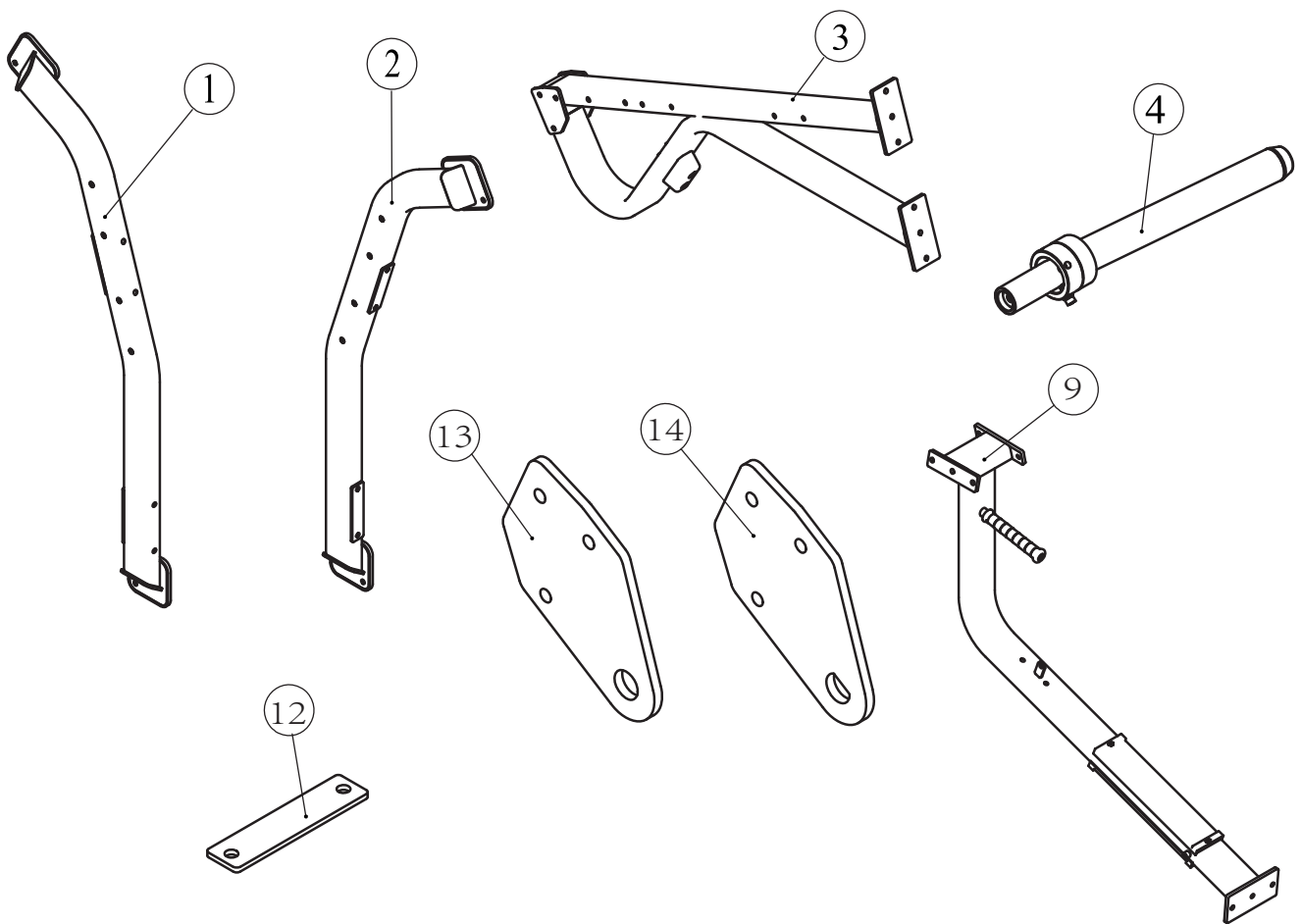
The scope of delivery consist of the following parts. At the beginning, check whether all parts and tools belonging to the device are included in the scope of delivery and whether damage has occurred. In the event of complaints, the contractual partner must be contacted directly.



#### **CAUTION**

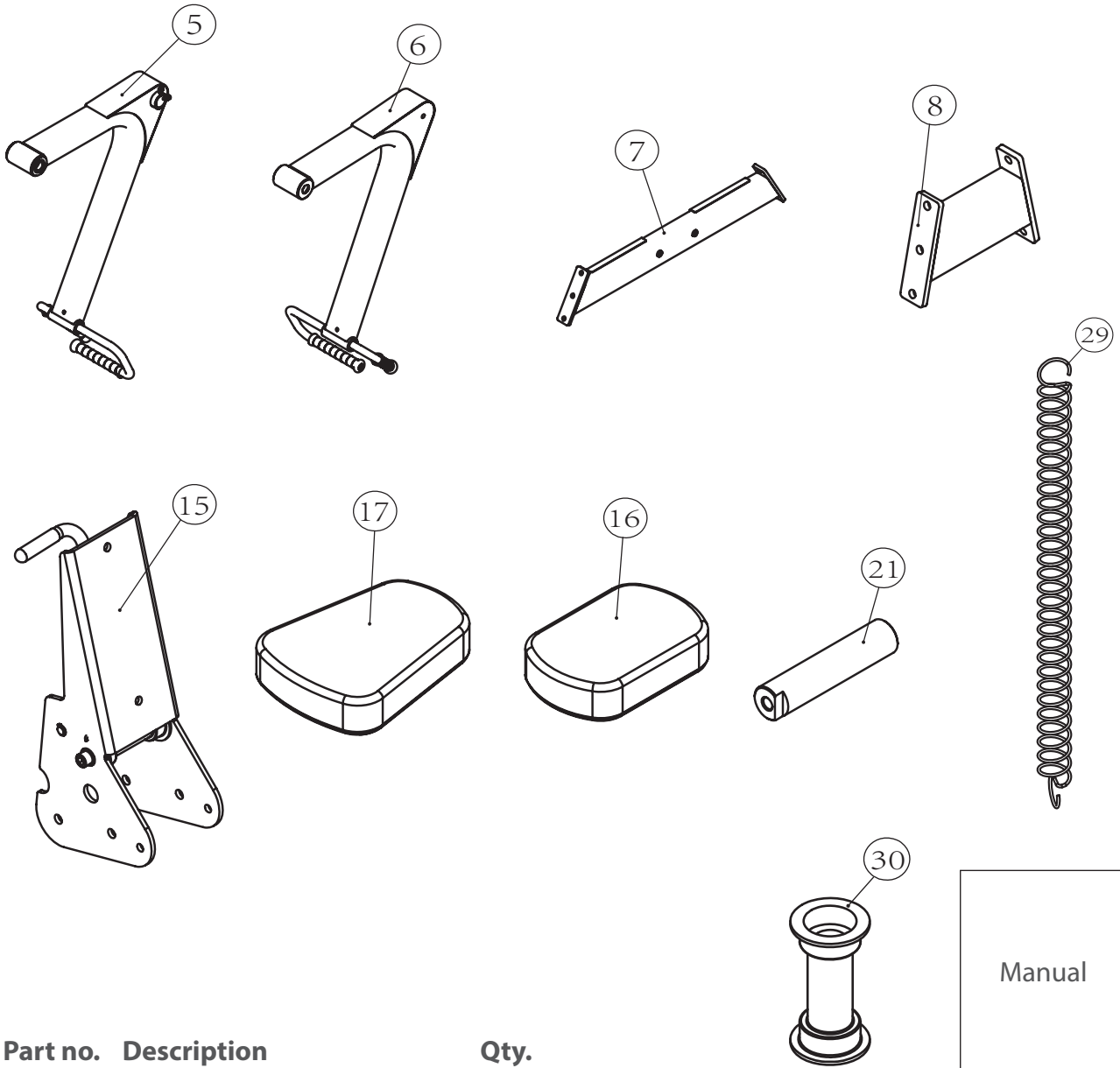
- If parts of the scope of delivery are missing or damaged, the assembly must not be carried out.

## Content of Box 1

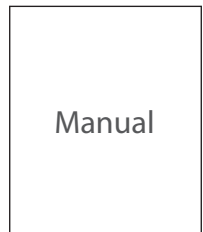


Part no.	Description	Qty.
1	Left Bottom Frame	1
2	Right Bottom Frame	1
3	Upright Frame	2
4	Weight Horn Assembly	2
9	Middle Standing Frame	1
13	Pivot Plate 1	2
14	Pivot Plate 2	2

## Content of Box 2



Part no.	Description	Qty.
5	Left Arm Frame	1
6	Right Arm Frame	1
7	Long Cross Frame	1
8	Short Cross Frame	1
15	Seat Frame	1
16	Chest Pad	1
17	Seat Pad	1
21	Pivot Shaft	2
29	Pull Spring	1
30	Idler Wheel	2
	Manual	1
	Hardware Pack	3



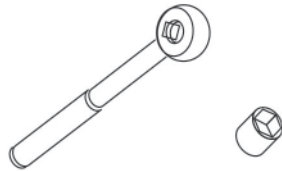
## 2.3 Assembly

Before assembly, take a close look at the individual assembly steps shown and carry out the assembly in the order given.

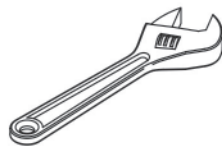
### **NOTICE**

- + First loosely screw all parts together and check that they fit properly. Tighten the screws using the tool only when you are instructed to do so.
- + If you have difficulty recognising the graphics, we recommend that you open and/or download the PDF instructions stored in the webshop on your end device (e.g. smartphone, tablet or PC). There you have the option of zooming in closer. Please note that the Adobe Acrobat Reader programme must be installed on your end device in order to open the file.

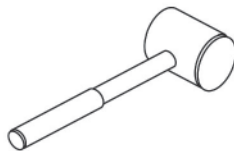
### Required Tools



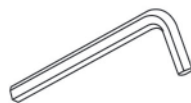
**Ratchet Wrench and Socket**



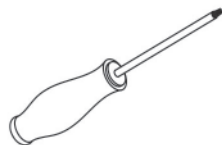
**Adjustable Wrench**



**Rubber Mallet**



**Hex Key Wrench Set**



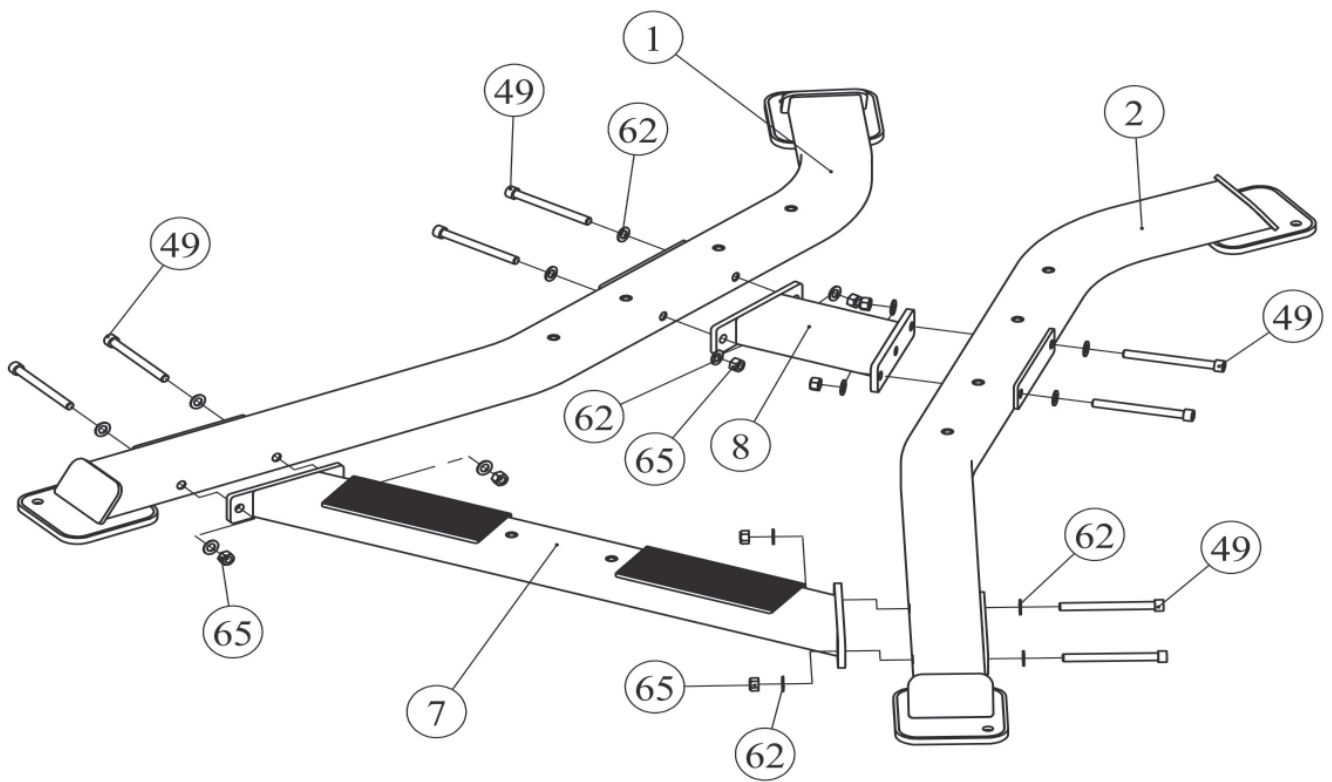
**Phillips Screwdriver**

## Step 1: Assembly of the Bottom Frames and Cross Frames

### ⓘ NOTICE

Do not tighten the screws and nuts completely yet.

Attach the long cross frame (7) and the short cross frame (8) to the left and right bottom frames (1 & 2) with a total of eight screws (49), 16 flat washers (62) and eight lock nuts (65).

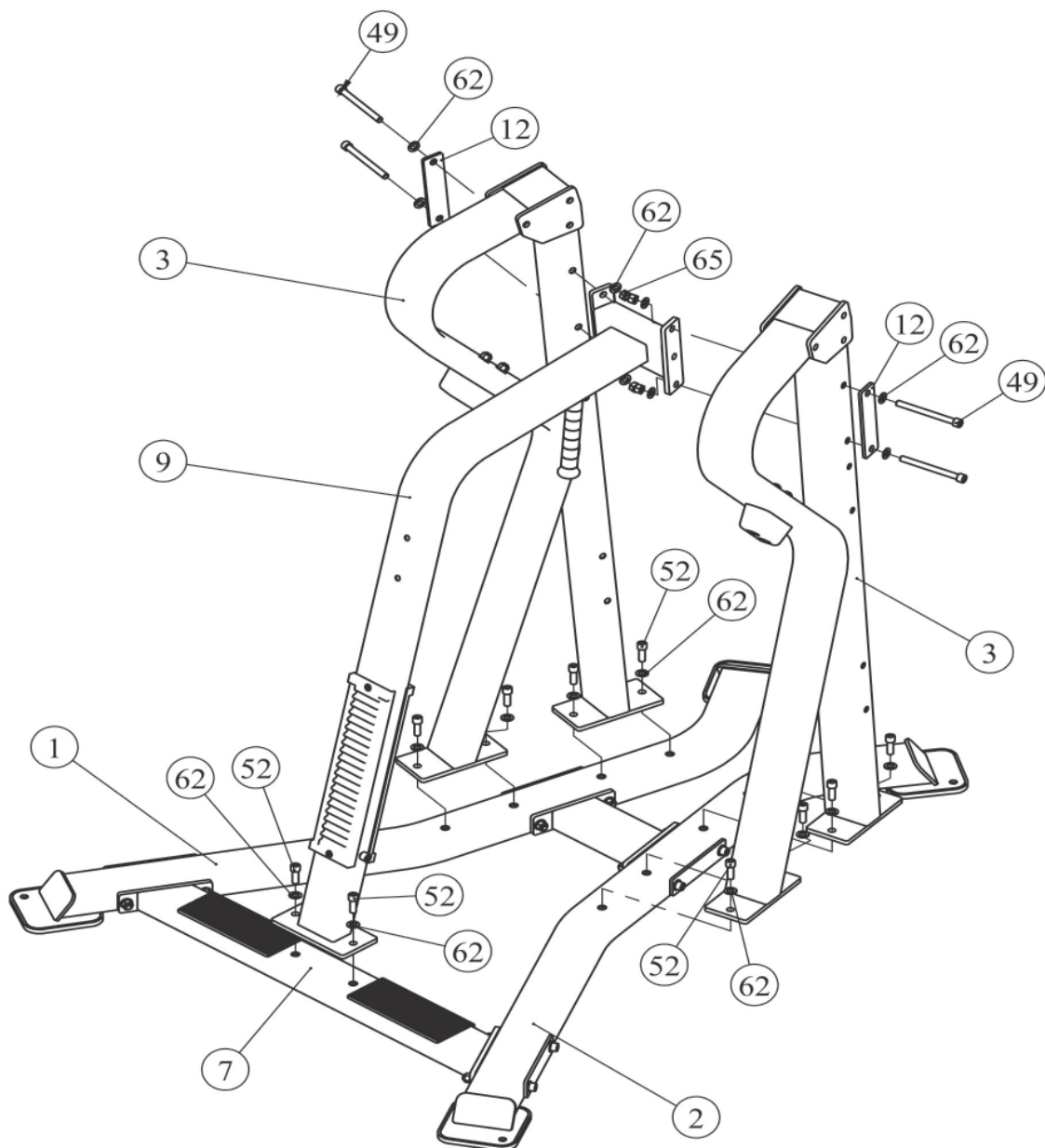


## Step 2: Assembly of the Upright Frames and Middle Standing Frame

### ⓘ NOTICE

Do not tighten the screws and nuts completely yet.

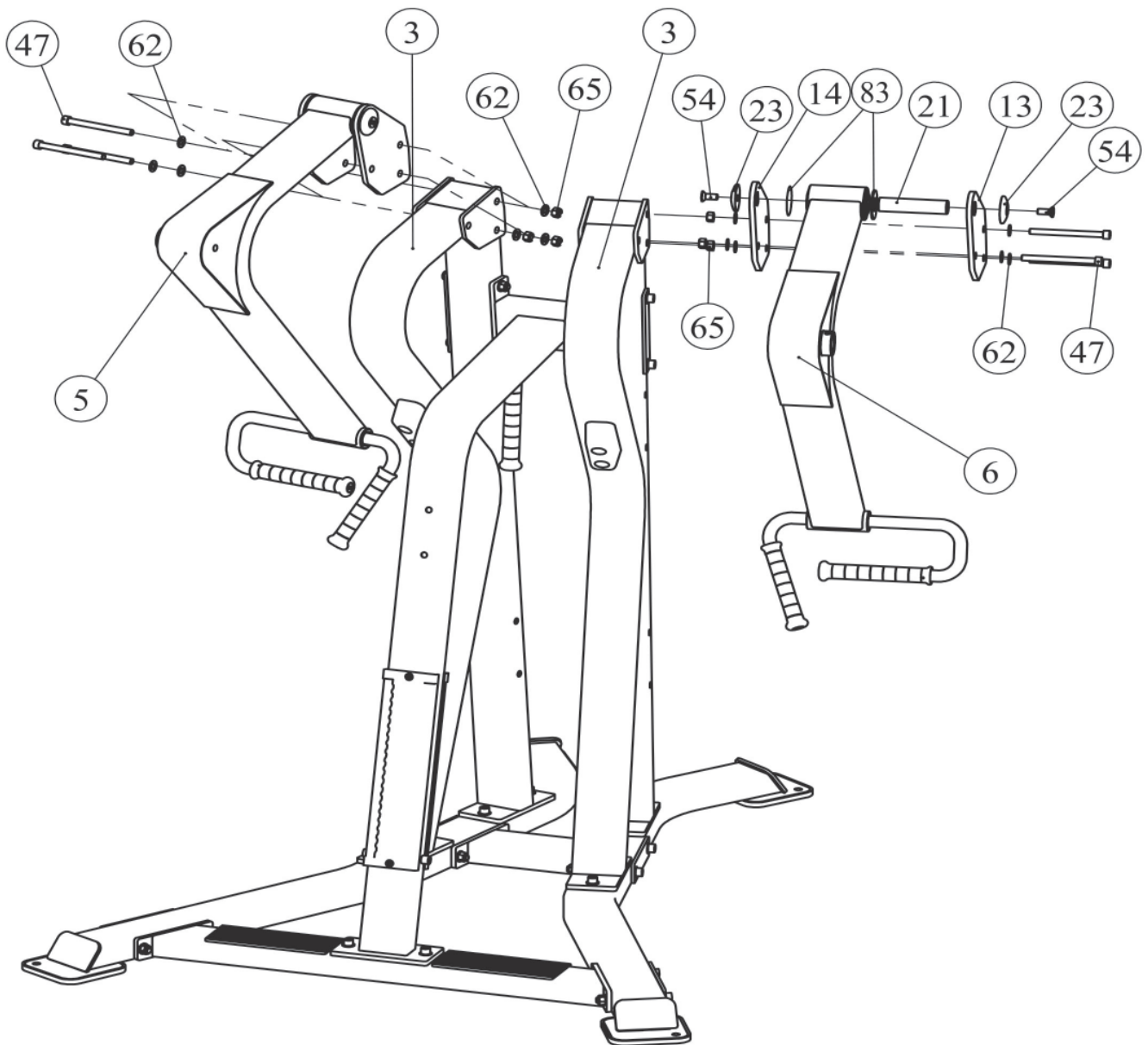
1. Attach one upright frame (3) to the left bottom frame (1) with four screws (52) and four flat washers (62).
2. Attach another upright frame (3) to the right bottom frame (2) with four screws (52) and four flat washers (62).
3. Attach the middle standing frame (9) to the long cross frame (7) with two screws (52) and two flat washers (62).
4. Attach the middle standing frame (9) to the upright frames (3) with a total of two narrow outside plates (12), four screws (49), eight flat washers (62) and four lock nuts (62).
5. Tighten the screws and nuts from this and the previous assembly step with the appropriate tools.





### Step 3: Assembly of the Arm Frames

1. Slide one pivot shaft (21) through the right arm frame (6).
2. Attach two baffle rings (83), one pivot plate 1 (13) and one pivot plate 2 (14) to the right arm frame (6) with two domed aluminium caps (23) and two screws (54).
3. Attach the right arm frame (6) to the right sided upright frame (3) with three screws (47), six flat washers (62) and three lock nuts (65).
4. Repeat the steps 1 to 3 with the left arm frame (5).
5. Tighten the screws and nuts with the appropriate tools.



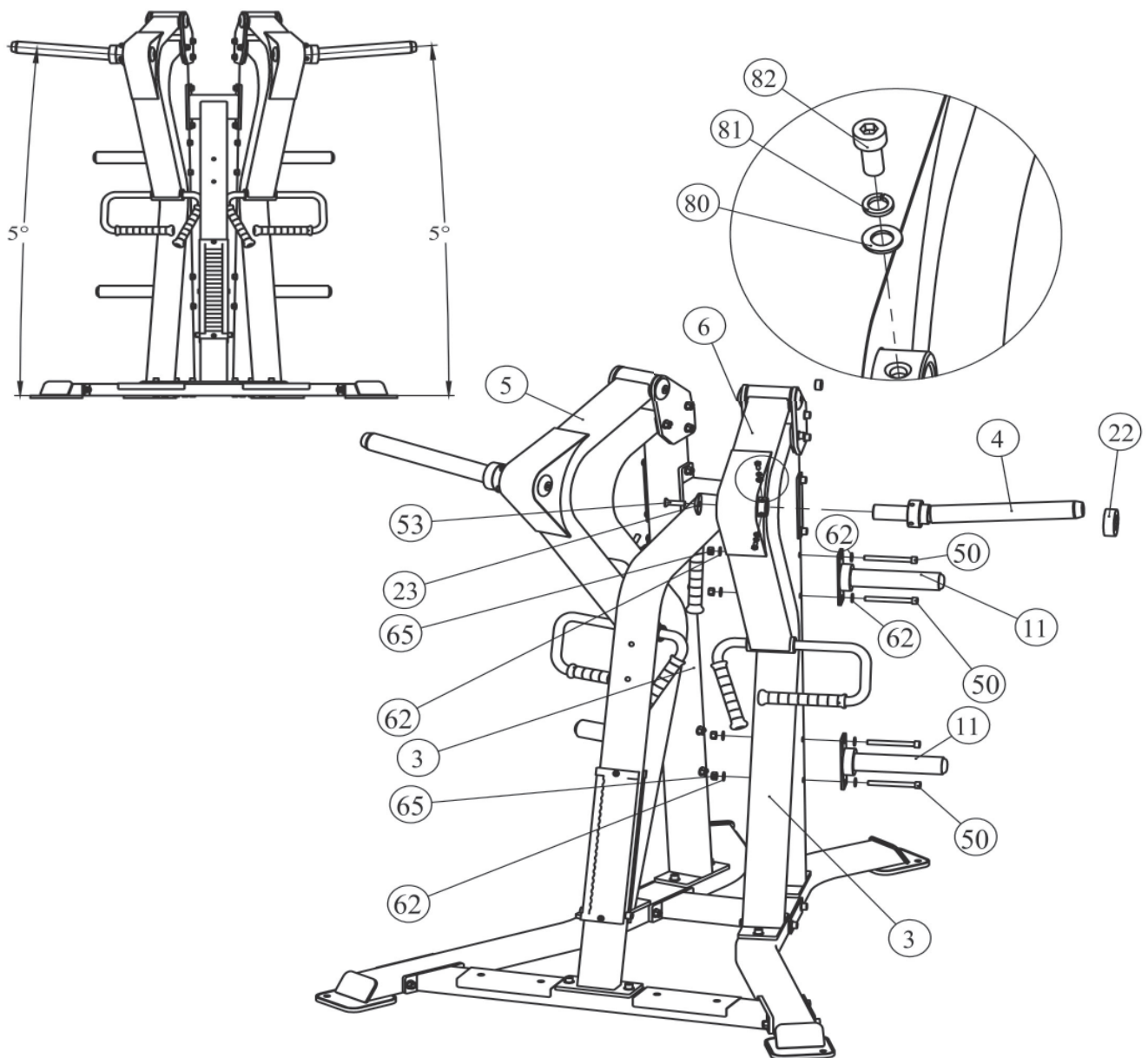
#### Step 4: Assembly of the Weight Horns and Weight Plate Storages

1. Attach two weight plate storages (11) to the right upright frame (3) with a total of four screws (50), eight flat washers (62) and four lock nuts (65).

**NOTICE**

The weight horns should be installed at a 5-degree-angle like shown.

2. Attach one weight horn (4) to the right arm frame (6) with one screw (53) and one domed aluminium cap (23).
3. Secure the weight horn (4) with two screws (82), two spring washers (81) and two flat washers (80).
4. Slide one rubber bumper (22) onto the weight horn (4).
5. Repeat the steps 1 to 4 on the left side.
6. Tighten the screws and nuts with the appropriate tools.



## Step 5: Assembly of the Seat Frame

### **NOTICE**

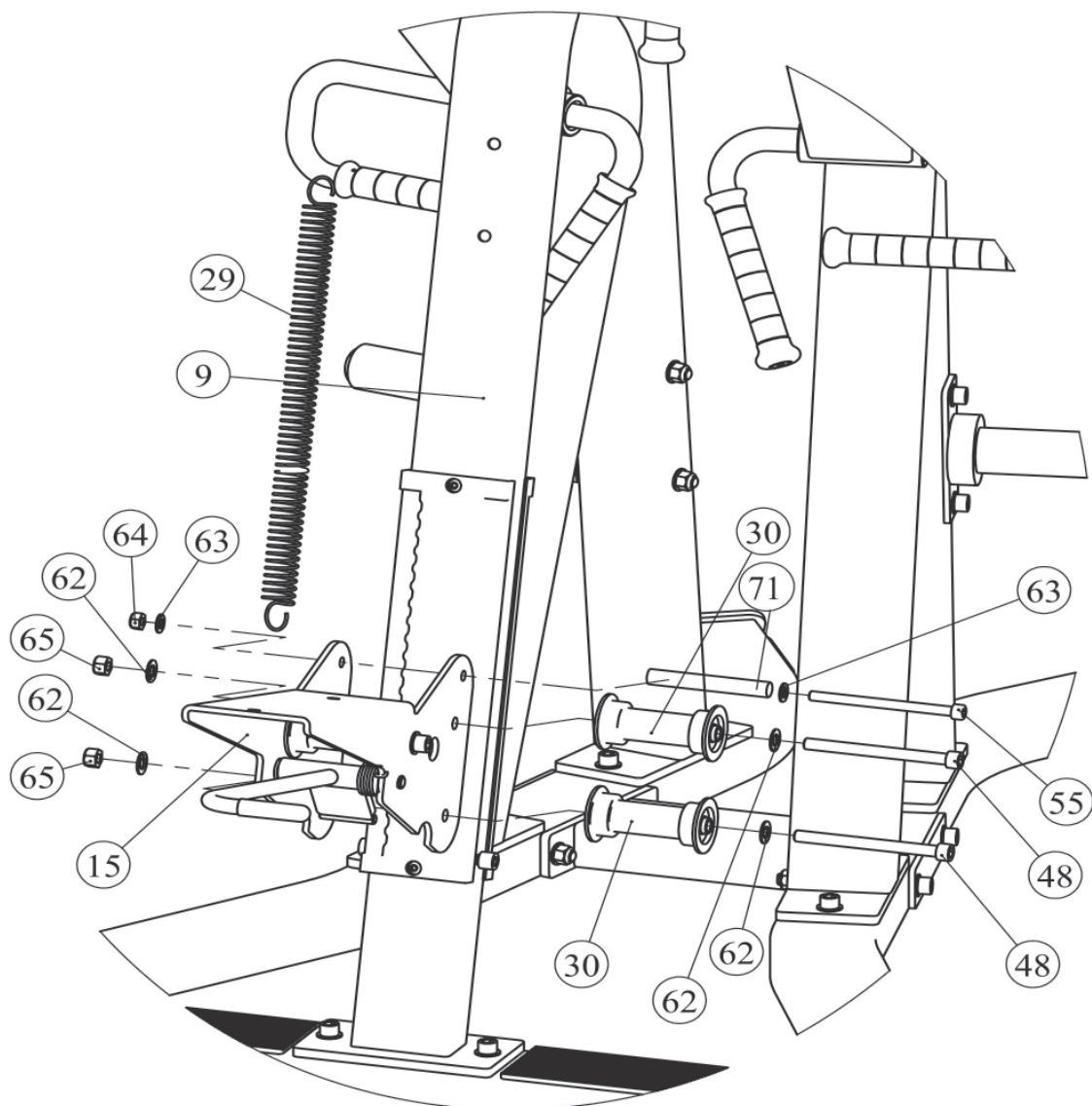
- + Do not tighten the screws and nuts completely yet.
- + Make sure that the seat frame (15) can be moved up and down smoothly. If needed, slightly loosen the screws and nuts.

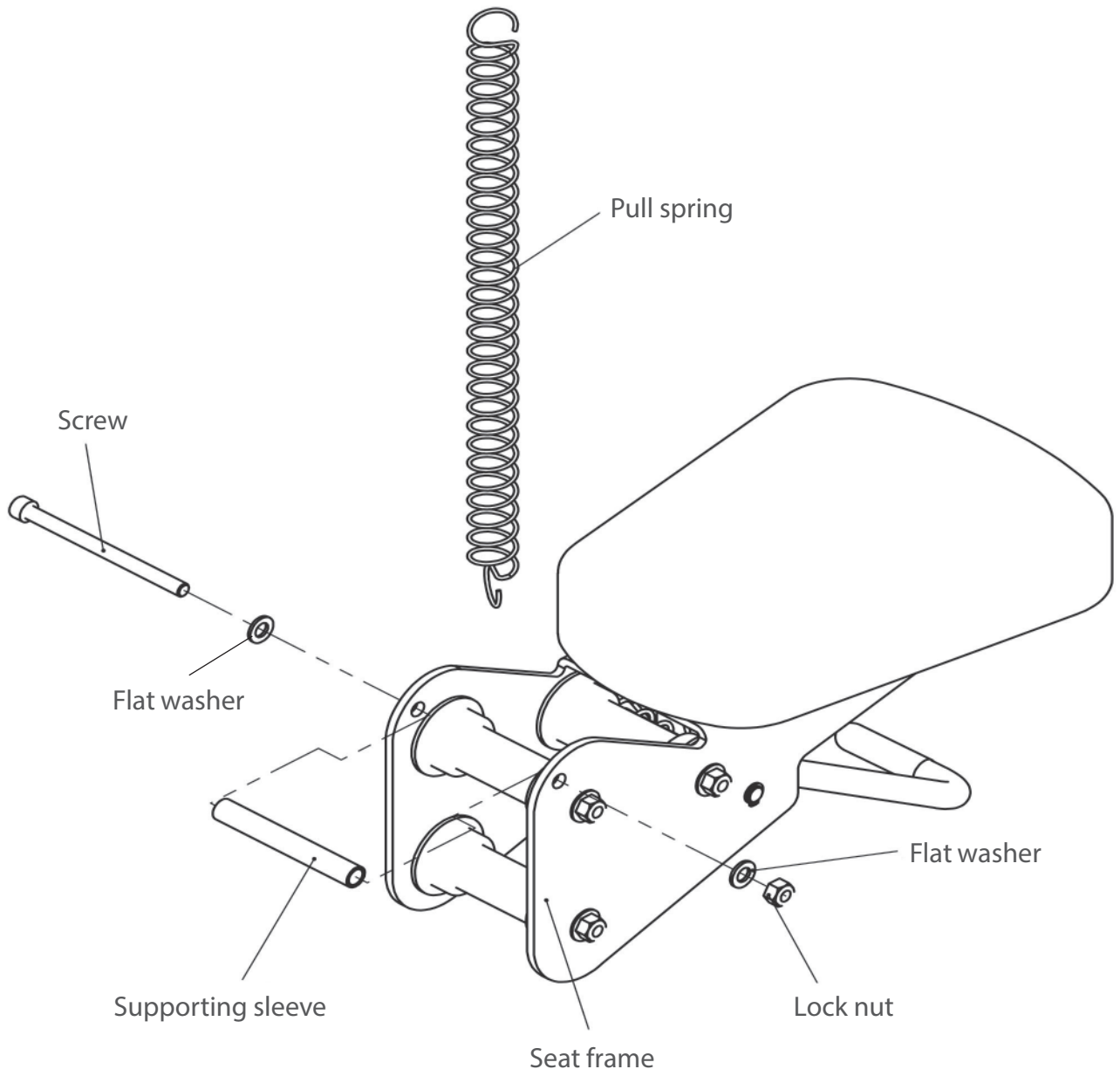
1. Attach the seat frame (15) to the middle standing frame (9) with two idler wheels (30), two screws (48), four flat washers (62) and two lock nuts (65).
2. Slide the supporting sleeve (71) between the two frame parts of the seat frame (15).
3. Attach the supporting sleeve (71) to the seat frame (15) with one screw (55), two flat washers (63) and one lock nut (64).

### **CAUTION**

Carefully hold the pull spring (29) at the hooks.

4. Hook the pull spring (29) onto the supporting sleeve (71) and the middle standing frame (9).

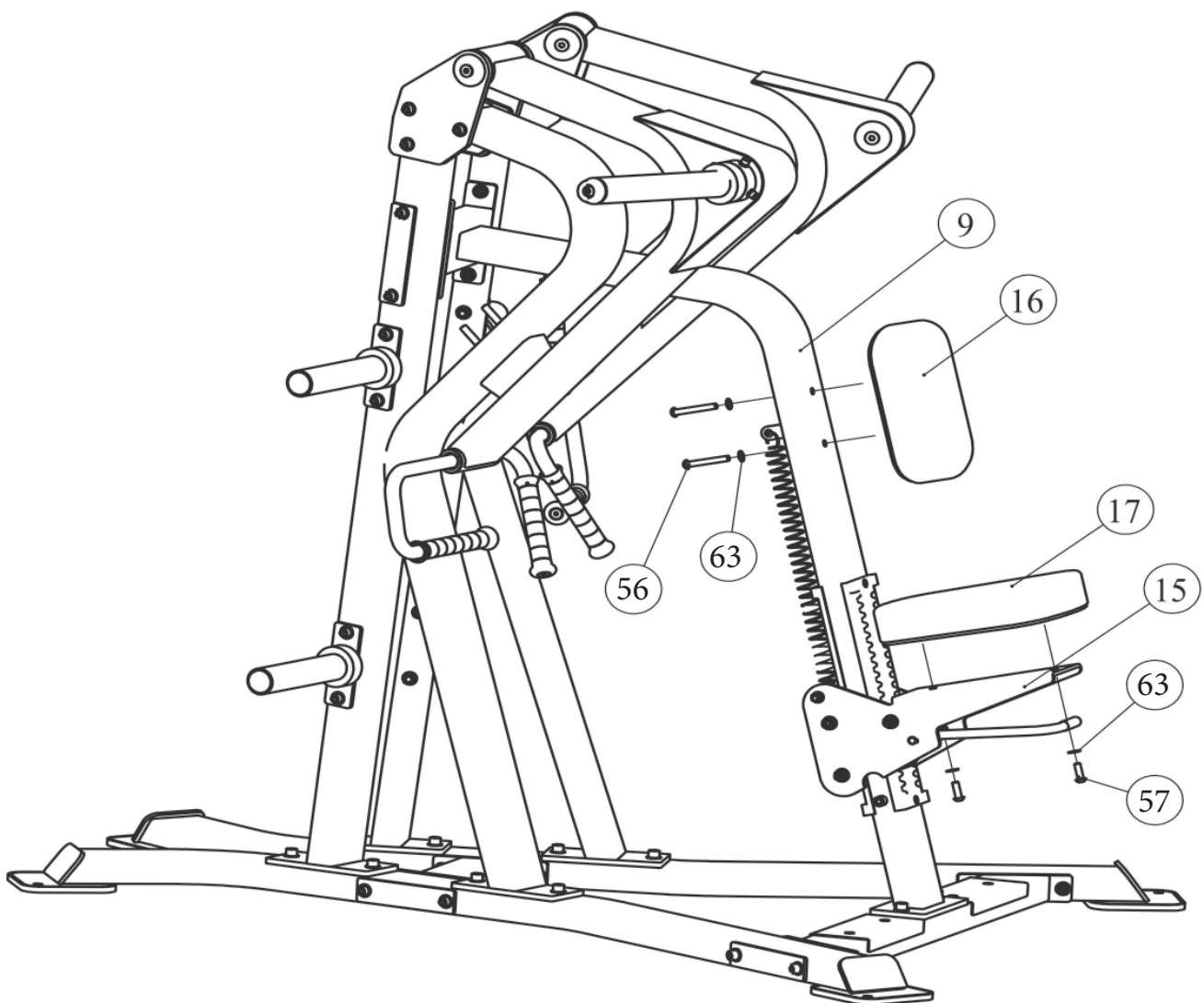




### Step 6: Assembly of the Pads

1. Attach the seat pad (17) to the seat frame (16) with two screws (57) and two flat washers (63).
2. Attach the chest pad (16) to the middle standing frame (9) with two screws (56) and two flat washers (63).
3. Tighten the screws with the appropriate tool.
4. Check that all screws and nuts are properly tightened and retighten if needed.

→ *The assembly is completed.*



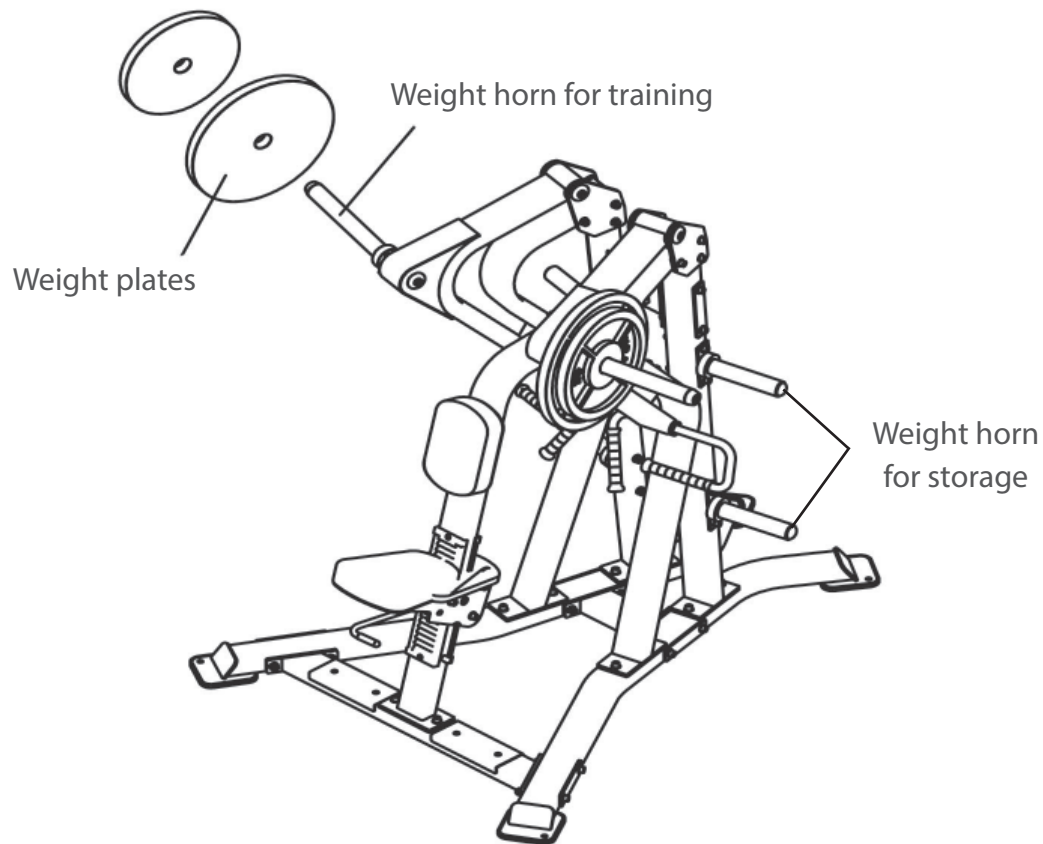
## Load and Unload Weight Plates

### ⚠ CAUTION

- + Make sure to always use some sort of weight collar when exercising with external weights.
- + Never store unused weight plates on the floor.
- + Store unused weight plates on a weight rack or on the integrated storage options.

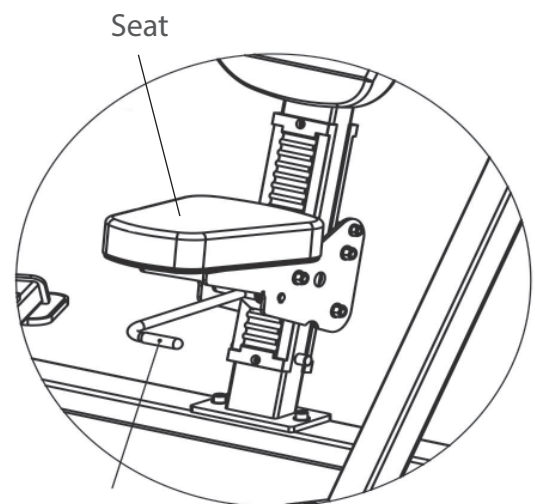
### ▶ ATTENTION

- + The weight horn is compatible with 50 mm weight plates with a maximum external diameter of 450 mm.
  - + Weight plates and weight collars are not included in the scope of delivery.
  - + Do not load more than 150 kg on each weight horn (training).
  - + Do not load more than 100 kg on each weight horn (storage).
1. To load the weight horn, carefully grab one weight plate at a time with both hands.
  2. Slide each weight plate onto the weight horn one by one until you have reached your desired training weight.
  3. Attach a weight collar to secure the weight plates from sliding off.
  4. To unload the weight horn, take off the weight collar.
  5. Slide each weight plate off of the weight horn with both hands one by one.



## Seat Adjustment

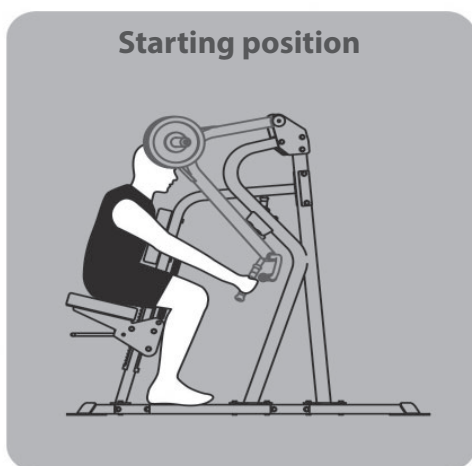
1. Push the adjustable handle.
2. Move the seat to the desired position.
3. Release the handle.



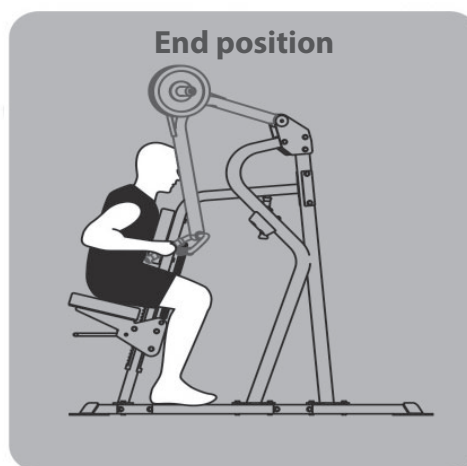
Adjustable handle

## Exercise Instructions

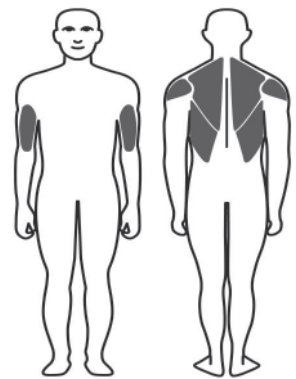
1. Select an appropriate weight.
2. Adjust the seat to the desired position.
3. Sit on the seat with your chest resting against the chest pad.
4. Grasp the handles.
5. Slowly pull the handles towards your chest.
6. Pause slightly at the end position.
7. Slowly return to the starting position.



Starting position



End position



### 3.1 General Instructions



#### **WARNING**

- + The storage location should be chosen so that improper use by third parties or children can be prevented.
- + If your equipment does not have transportation wheels, the equipment must be disassembled before transportation.



#### **ATTENTION**

- + Make sure that the equipment is protected from moisture, dust and dirt in the selected storage location. The storage location should be dry and well ventilated and have a constant ambient temperature between 10°C and 35°C.



## 4.1 General Instructions



### WARNING

- + Do not make any improper changes to the equipment.



### CAUTION

- + Damaged or worn components may affect your safety and the life of the equipment. Therefore, immediately replace damaged or worn components. In such a case, contact the contract partner. The equipment must not be used until it has been repaired. If necessary, use only original spare parts.

### ► ATTENTION

- + In addition to the instructions and recommendations for maintenance and care given here, additional service and/or repair work may be necessary; this must only be carried out by authorised service technicians.

## 4.2 Faults and Fault Diagnosis

The equipment undergoes regular quality controls during production. Nevertheless, faults or malfunctions may occur. Frequently, individual parts are responsible for these disturbances, an exchange is usually sufficient. Please refer to the following overview for the most common errors and how to correct them. If the equipment still does not function properly, contact your contract partner.

Fault	Cause	Solution
Squeaking & cracking noises	Screw connections loosened or too tight	+ Check or lubricate screw connections*
Unit wobbles	+ Uneven ground + Loose screw connections	+ Align unit + Tighten screw connections

\* With a grease-free silicone oil or silicone spray.

### 4.3 Maintenance and Inspection Calendar

To avoid damage from body sweat, the equipment must be cleaned with a damp towel (no solvents!) after each training session.

The following routine tasks must be performed at the specified intervals:

Part	Weekly	Monthly	Quarterly
Screw connections		I	
Cushions	C		
Legend: C = clean; I = inspect			

## 5 DISPOSAL

At the end of its operational life, this equipment cannot be disposed of in normal household waste. Instead, it must be disposed of via an recycling centre. Further information can be obtained from your local authority's recycling service.



The materials can be recycled as per their symbols. Through the reuse, recycling of materials or other forms of recovery of old equipment, you make an important contribution to the protection of the environment.

## 6 RECOMMENDED ACCESSORIES

To make your training experience even more efficient and pleasant, we recommend that you add suiting accessories to your fitness equipment. For training equipment like smith machines, weight benches or racks this could for example be a **floor mat**, which makes your fitness equipment stand more securely and also protects the floor from sweat but it could be also **additional weights, handles, foot straps** for leg exercises or **triceps ropes**. For some smith machines, there are also optional add-ons such as **leg presses** that make your workout even more intense and comprehensive.

Our range of accessories offers the highest quality and makes training even better. If you would like to find out more about compatible accessories, please go to the detail page of the product in our webshop (the easiest way is to enter the article number in the search field above) and go to the recommended accessories on this page. Of course, you can also contact our customer service: by telephone, e-mail, in one of our branches or via our social media channels. We will be happy to advise you!



floor mat



chest strap



tricep and curl bar



triceps rope

## 7.1 Serial Number and Model Name

In order to provide you with the best possible service, please have the model name, article number, serial number, exploded drawing and parts list ready. The corresponding contact options can be found in chapter 9 of this operating manual.

**NOTICE**

The serial number of your equipment is unique. It's located on a white sticker. The exact position of this sticker is shown in the following illustration.

Enter the serial number in the appropriate field.



**Serial number:**

**Brand / Category:**

**Model Name:**

**SKU:**

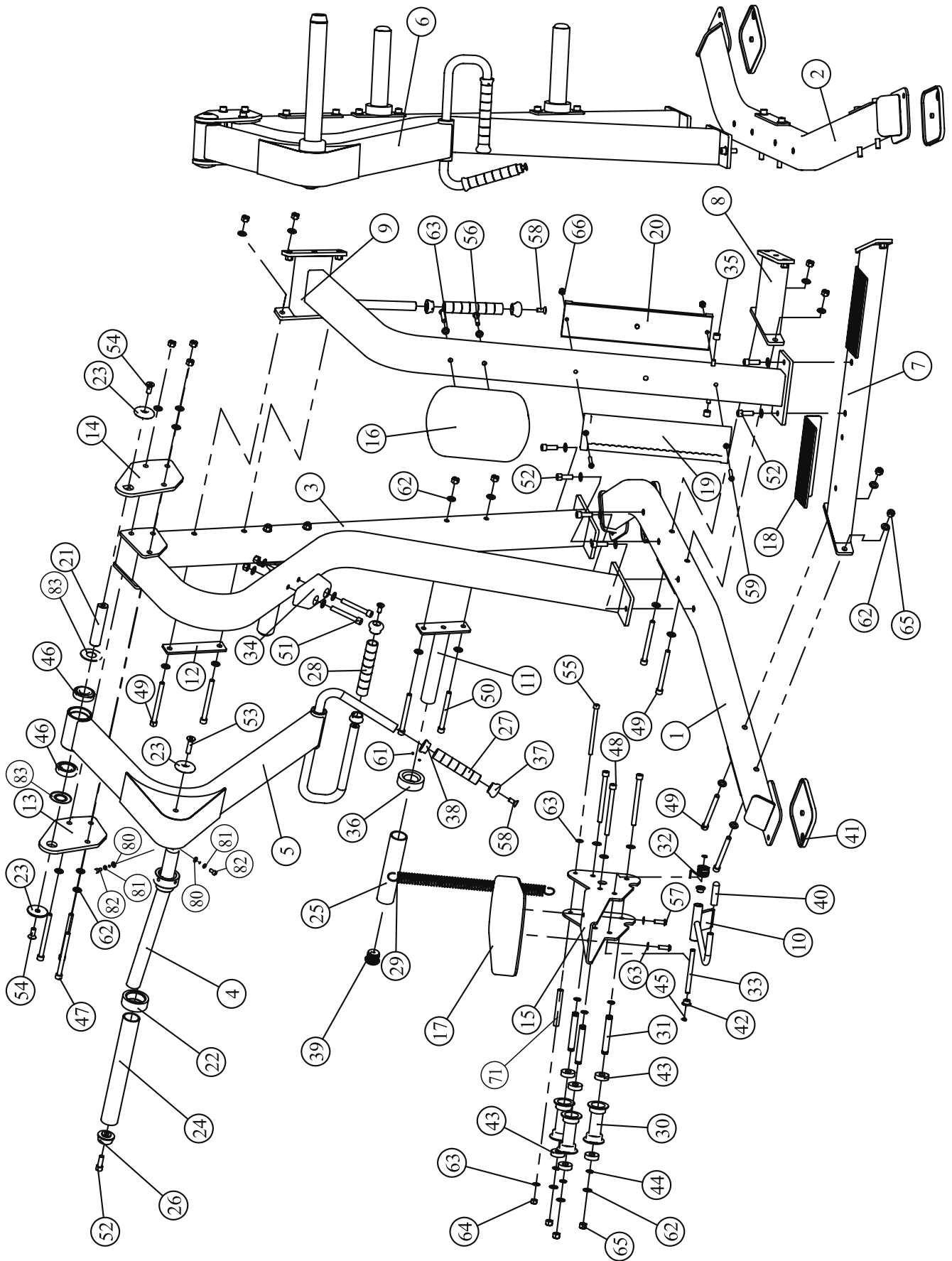
## 7.2 Parts List

No.	Supplier parts no.	Name	Specification	Qty.
1	SL70040100	Left Bottom Frame		1
2	SL70040200	Right Bottom Frame		1
3	SL70040300	(left/right) Upright Frame		2
4	SL70041000V1	Weight Horn Assembly		2
5	SL70040500	Left Arm Frame		1
6	SL70040600	Right Arm Frame		1
7	SL70040700V1	Long Cross Frame		1
8	SL70040800	Short Cross Frame		1
9	SL70040900	Middle Standing Frame		1
10	SL70012800	Adjustable Handle		1
11	SL70100300	Weight Plate Storage		4
12	SL70010103	Narrow Outside Plate	45*200*6	2
13	SL70041300	Pivot Plate 1	151.4*244.6*10	2
14	SL70041400	Pivot Plate 2	151.4*244.6*10	2
15	SL70012300	Seat Frame	441.9*117*6	1
16	SL70041600V1	Chest Pad	200*300*70	1
17	SL70013000V1	Seat Pad	340*270*70	1
18	SL7007B2100	Pedal	250*105*25*2	2
19	SL70011100	Front Plastic Plate	435*107*19	1
20	SL70011200	Rear Plastic Plate	435*107*19	1
21	SL70011500	Pivot Shaft $\Phi$ 30	$\phi$ 30*134	2
22	SL70013100	Rubber bumper	DT $\phi$ 76* $\phi$ 42*25	2
23	SL70011700	Domed Aluminium Cap	$\phi$ 54* $\phi$ 12.5*10.6	6
24	SL70011800	Long Weight Horn Sleeve	$\phi$ 41.4* $\phi$ 49*361	2
25	SL70100400	Weight Horn Sleeve	$\phi$ 41.4* $\phi$ 49*223	4
26	SL70012000	Weight Horn Plastic Cap	$\phi$ 49* $\phi$ 12.5*25	2
27	SL70042700	Short Aluminium Grip	$\phi$ 31* $\phi$ 25*150	2
28	SL70012100	Aluminium Grip	$\phi$ 31* $\phi$ 25.4*175	2
29	SL70012200	Pull Spring	$\phi$ 31.5* $\phi$ 2.5*165	1
30	SL70012400	Idler Wheel	$\phi$ 60* $\phi$ 40*113.5	3
31	SL70012500	Wheel Shaft	$\phi$ 17* $\phi$ 12.5*116.5	3

32	SL70012600	Wring Spring	φ30*φ3*30	1
33	SL70012700	Shaft For Adjustable Handle	φ12*135.1	1
34	PL380800	Large Rubber Bumper	120*140*52	2
35	SL70013200	Plastic Sleeve	φ18*φ10*19	2
36	HF985A1500	Weight Horn Rubber Donut	φ76*φ42*25	4
37	IT90102100	Aluminium Cap Φ25	φ43*φ10.5*26	1
38	IT90102200	Aluminium Ring Φ25	φ40*φ26.8*18	1
39	RF-6012500	End Plug	φ41.3*φ34	4
40	CG50001700	Rubber Grip	DTφ19*φ14*70	1
41	CWRVL0051200	Rubber Foot	159.5*159.5*11	4
42	M01402000	Oilite Bushing	φ25*φ12.2*13	2
43	GB2766203-2Z	Ball Bearing	6203-2Z	6
44	GB894.117FH12	External Retaining Ring Φ12	φ17	6
45	GB894.112FH12	External Retaining Ring Φ17	φ12	2
46	GB2766206-2ZC3	Ball Bearing 6206-2Z	6206-2Z	4
47	GB70M12*155DHS20	Socket Head Cap Screw M12*155	M12*155(8.8 degree)	6
48	GB70M12*145DHS20	Socket Head Cap Screw M12*145	M12*145(8.8 degree)	2
49	GB70M12*135DHS20	Socket Head Cap Screw M12*135	M12*135(8.8 degree)	12
50	GB70M12*125DHS20	Socket Head Cap Screw M12*125	M12*125(8.8 degree)	8
51	GB70M12*90DHS20	Socket Head Cap Screw M12*90	M12*90	4
52	GB70M12*35*35DHS20NL	Socket Head Cap Screw M12*35	M12*35(full thread,8.8 degree)	2
53	CNLM12*50*50DS20NL	Flat Head Cap Screw M12*50	M12*50(full thread, ,8.8 degree)	2
54	CNLM12*30DS20NL	Flat Head Cap Screw M12*30	M12*30( ,8.8 degree)	4
55	GB70M10*145DHS20	Socket Head Cap Screw M10*145	M10*145(8.8 degree)	1

56	PNLM10*75DHS2	Button Head Cap Screw M10*75	M10*75	2
57	PNLM10*30DHS2	Button Head Cap Screw M10*30	M10*30	2
58	CNLM10*25DS20NL	Flat Head Cap Screw M10*25	M10*25(8.8 degree)	1
59	PNLM8*65DHS2	Button Head Cap Screw M8*65	M8*65	2
61	YZGB7710-32*3.2N19	Socket Set Screw 10- 32*3.2	10-32UNF*3.2	2
62	DQ12DHS2A	Flat Washer $\Phi 13*\Phi 24*1.5$	$\phi 13*\phi 24*1.5$	8
63	GB9510DHS2	Flat Washer $\Phi 11*\Phi 20*2$	$\phi 11*\phi 20*2$	6
64	NM10DHS2	Nylon lock Nut M10	M10	1
65	NM12DHS2	Nylon lock Nut M12	M12	4
66	NM8DHS2	Nylon lock Nut M8	M8	2
67	NBS10DHS	Hex key S=10	S=10	1
68	NBS8DHS	Hex key S=8	S=8	1
69	NBS6DHS	Hex key S=6	S=6	1
70	NBS4DHS	Hex key S=4	S=4(Long side=120mm)	1
71	SL70026700	Supporting Sleeve	$\phi 16*2.0*117$	1
72	GB17880.3M8*16.5DS17	Rivet Nut M8	M8	4
73	CNLM8*20DS2	Flat Head Cap Screw M8*20	M8*20	4
80	GB958DHS2	Flat Washer $\Phi 9*\Phi 16*1.6$	$\phi 9*\phi 16*1.6$	4
81	GB938DHS12	Spring Washer $\Phi 8$	$\phi 8$	4
82	GB70M8*30DHS20	Socket Head Cap Screw M8*30	M8*30(8.8 degree)	4
83	SL70022500	Baffle Ring	$\phi 46*\phi 30.5*3$	4

### 7.3 Exploded Drawing





Products from TAURUS® are subject to strict quality control. However, if a fitness equipment purchased from us does not work perfectly, we take it very seriously and ask you to contact our customer service as indicated. We are happy to help you by phone via our service hotline.

### **Error Descriptions**

Your fitness equipment is developed for long-term, high-quality training. However, should a problem arise, please first read the operating instructions. For further assistance, please contact your contract partner or call our service hotline. To ensure your problem is solved as quickly as possible, please describe the defect as exactly as possible.

In addition to the statutory warranty, we provide a warranty for every fitness equipment purchased from us according to the following provisions.

**Your statutory rights are not affected.**

### **Warranty**

The warranty is the first/original buyer.

### **Warranty periods**

The following warranty periods begin on delivery of the fitness equipment.

#### **Warranty period**

The warranty periods, shown on our web shop, begin on delivery of the fitness equipment. The respective warranty periods for your equipment can be found on its product website.

### **Repair Costs**

According to our choice, there will either be a repair, a replacement of individual damaged parts or a complete replacement. Spare parts, that have to be mounted while assembling the equipment, have to be replaced by the warranty holder personally and are not a part of repair. After the expiration of the warranty period, the responsibility for parts costs, repair costs, installation costs and delivery costs lies with the warranty holder.

### **The terms of use are defined as follows:**

- + Home use: solely for private use in private households up to 3 hours per day
- + Semi-professional use: up to 6 hours per day (e. g. rehabilitation centres, hotels, clubs, company gyms)
- + Professional use: more than 6 hours per day (e. g. commercial gyms)

## **Warranty Service**

Within the warranty period, equipment which develops faults as a result of material or manufacturing defects, will be repaired or replaced at our discretion. Ownership of equipment or parts of equipment which have been replaced is transferred to us. The warranty period is not extended nor does a new warranty period begin following repair or replacement under the warranty.

## **Warranty Conditions**

For the warranty to be valid, the following steps must be taken:

Please contact our customer service by email or phone. If the product under warranty has to be sent in for repair, the seller bears costs. After expiry of the warranty, the buyer bears the costs of transport and insurance. If the fault is covered by our warranty, you will receive a new or repaired equipment in return.

## **Warranty claims are invalid in case of damage resulting from:**

- + misuse or improper handling
- + environmental influences (moisture, heat, electrical surge, dust, etc.)
- + failure to follow the current safety measures for the equipment
- + failure to follow the operating instructions
- + use of force (e. g. hitting, kicking, falling)
- + interventions which were not carried out by one of our authorized service centres
- + unauthorised repair attempts

## **Proof of Purchase and Serial Number**

Please make sure that you are able to provide the appropriate receipt when claiming on your warranty. So that we can clearly identify the model of your equipment, and for the purposes of our quality control, you will need to give the serial number of your equipment, when contacting the service team. Where possible please have your serial number and your customer number ready when you call our service hotline. It will help us to deal with your request swiftly.







































If you cannot find the serial number on your fitness equipment, our service team is at your disposal to offer further information.

## **Service outside of the Warranty Period**

We are also happy to issue an individual cost estimate if there is a problem with your fitness equipment after the warranty has expired, or in cases which do not fall under the terms of the warranty, e. g. normal wear and tear. Please contact our customer service team to find a quick and cost-effective solution to your problem. In such a case you will be responsible for the delivery costs.

## **Communication**

Many problems can be solved just by speaking to us as your specialist supplier. We know how important it is to you as a user of the fitness equipment to have problems solved quickly and simply, so you can enjoy working out with minimal interruption. For that reason, we also want to resolve your queries quickly and in a straightforward manner. Thus, please always keep your customer number and the serial number of the faulty equipment handy.

DE	DK	UK
<p><b>TECHNIK</b></p> <p> +49 4621 4210-900</p> <p> +49 4621 4210-698</p> <p> technik@fitshop.de</p> <p> Öffnungszeiten entnehmen Sie unserer Homepage.</p> <p><b>SERVICE</b></p> <p> 0800 20 20277 (kostenlos)</p> <p> 04621 4210 - 0</p> <p> info@fitshop.de</p> <p> Öffnungszeiten entnehmen Sie unserer Homepage: <a href="https://stg.fit/statita">https://stg.fit/statita</a></p>	<p><b>TEKNIK OG SERVICE</b></p> <p> 80 90 16 50</p> <p>+49 4621 4210-945</p> <p> info@fitshop.dk</p> <p> Åbningstider kan findes på hjemmesiden: <a href="https://stg.fit/statit7">https://stg.fit/statit7</a></p> <p><b>FR</b></p> <p><b>TECHNIQUE &amp; SERVICE</b></p> <p> +33 (0) 189 530984</p> <p>+49 4621 42 10 933</p> <p> info@fitshop.fr</p> <p> Vous trouverez les heures d'ouverture sur notre site Internet: <a href="https://stg.fit/statit4">https://stg.fit/statit4</a></p>	<p><b>CUSTOMER CARE</b></p> <p> +44 141 737 2249 or +44 141 876 3972</p> <p> customercare@fitshop.co.uk</p> <p> You can find the opening hours on our homepage: <a href="https://stg.fit/statitd">https://stg.fit/statitd</a></p> <p><b>BE</b></p> <p><b>TECHNIQUE &amp; SERVICE</b></p> <p> 02 732 46 77</p> <p>+49 4621 4210 933</p> <p> info@fitshop.be</p> <p> Vous trouverez les heures d'ouverture sur notre site Internet: <a href="https://stg.fit/statit8">https://stg.fit/statit8</a></p>
ES	NL	INT
<p><b>TECNOLOGÍA Y SERVICIOS</b></p> <p> 911 238 029</p> <p> info@fitshop.es</p> <p> Consulta nuestro horario de apertura en la página web: <a href="https://stg.fit/statit5">https://stg.fit/statit5</a></p>	<p><b>TECHNISCHE DIENST &amp; SERVICE</b></p> <p> +31 172 619961</p> <p> service@fitshop.nl</p> <p> De openingstijden vindt u op onze homepage: <a href="https://stg.fit/statit3">https://stg.fit/statit3</a></p>	<p><b>TECHNICAL SUPPORT &amp; SERVICE</b></p> <p> +49 4621 4210-944</p> <p> service-int@fitshop.de</p> <p> You can find the opening hours on our homepage: <a href="https://stg.fit/statita">https://stg.fit/statita</a></p>
PL	AT	CH
<p><b>DZIAŁ TECHNICZNY I SERWIS</b></p> <p> 22 307 43 21</p> <p>+49 4621 42 10-948</p> <p> info@fitshop.pl</p> <p> Godziny otwarcia można znaleźć na stronie głównej: <a href="https://stg.fit/statit6">https://stg.fit/statit6</a></p>	<p><b>TECHNIK &amp; SERVICE</b></p> <p> 0800 20 20277 (Freecall)</p> <p>+49 4621 42 10-0</p> <p> info@fitshop.at</p> <p> Öffnungszeiten entnehmen Sie unserer Homepage: <a href="https://stg.fit/statitb">https://stg.fit/statitb</a></p>	<p><b>TECHNIK &amp; SERVICE</b></p> <p> 0800 202 027</p> <p>+49 4621 42 10-0</p> <p> info@fitshop.ch</p> <p> Öffnungszeiten entnehmen Sie unserer Homepage: <a href="https://stg.fit/statit9">https://stg.fit/statit9</a></p>

Please find a detailed overview including address and opening hours for all stores of Fitshop UK on the following website:

[www.fitshop.co.uk/storelocator](http://www.fitshop.co.uk/storelocator)

# WE LIVE FITNESS

## WEBSHOP AND SOCIAL MEDIA

The Fitshop Group is Europe's largest specialist for home fitness equipment with currently 70 stores and one of the world's most renowned online mail order companies for fitness equipment.

Fitshop UK is part of the Fitshop Group. Private customers order via the 25 web shops in the respective national language or have their desired equipment assembled on site. In addition, the company supplies fitness studios, hotels, sports clubs, companies and physio practices with professional equipment for endurance and strength training.

The Fitshop group offers a wide range of fitness equipment from renowned manufacturers, high-quality in-house developments and comprehensive services, such as a build-up service and sports scientific advice before and after the purchase. The company employs numerous sports scientists, fitness trainers and competitive athletes.

Visit us also on our social media platforms or our blog!



<https://www.fitshop.co.uk/>  
[www.fitshop.co.uk/blog/](https://www.fitshop.co.uk/blog/)



[www.facebook.com/fitshop.co.uk](https://www.facebook.com/fitshop.co.uk)



[www.instagram.com/fitshop\\_uk](https://www.instagram.com/fitshop_uk)



[www.youtube.com/@fitshop\\_uk](https://www.youtube.com/@fitshop_uk)

**TAURUS**

 cardiostrong

*BODYCRAFT*

**BodyMax**

Notes

Notes



**TAURUS<sup>®</sup>**

**Taurus Elite Iso Low Row**