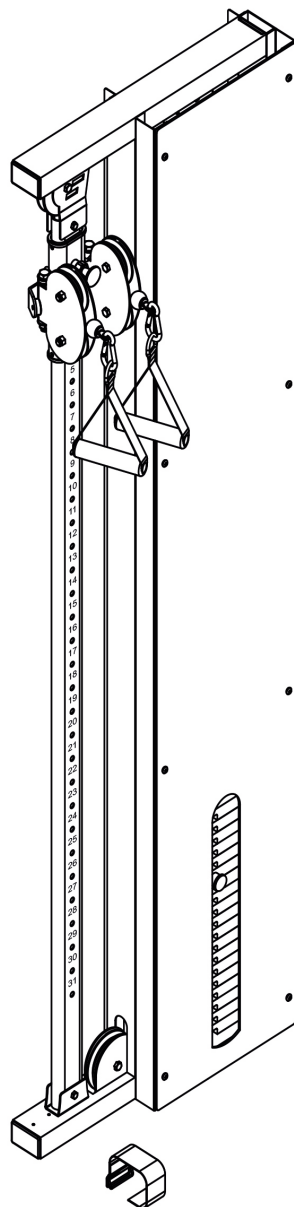


TAURUS®

Assembly Instructions



~ 75 Min.



120 kg

L 27 | W 64 | H 209

TFPS90.01.05

Art. No. TF-PS-90

Taurus Design Line Single Pulley

Content

1	GENERAL INFORMATION	7
1.1	Technical Data	7
1.2	Personal Safety	8
1.3	Set-Up Place	9
2	ASSEMBLY	10
2.1	General Instructions	10
2.2	Scope of Delivery	11
2.3	Assembly	12
2.3.1	Assembly (left)	12
2.3.2	Assembly (right)	22
2.4	Cable Adjustment	36
3	STORAGE AND TRANSPORT	37
3.1	General Instructions	37
4	TROUBLESHOOTING, CARE AND MAINTENANCE	38
4.1	General Instructions	38
4.2	Faults and Fault Diagnosis	38
4.3	Maintenance and Inspection Calendar	39
5	DISPOSAL	39
6	RECOMMENDED ACCESSORIES	40
7	ORDERING SPARE PARTS	41
7.1	Serial Number and Model Name	41
7.2	Parts List	42
7.3	Exploded Drawing	44
8	WARRANTY	45
9	CONTACT	47

Dear customer,

Thank you for choosing a high-quality equipment of the brand Taurus®. Taurus® offers sports and fitness equipment for the sophisticated home sport and the equipment of fitness studios and business customers. With Taurus® fitness equipment, the focus is on what sport is all about: maximum performance! Therefore, the equipment is developed in close consultation with athletes and sports scientists. Because athletes know best what makes perfect fitness equipment.

Further information can be found at www.sport-tiedje.com.

Intended Use

The equipment may only be used for its intended purpose.

The equipment is suitable for home use and semi-professional use (e.g. hospitals, clubs, hotels, schools, etc.). The equipment is not suitable for commercial or professional use (e.g. fitness studio).

Disclaimer



©2008 Taurus® is a registered brand of the company Sport-Tiedje GmbH. All rights reserved. Any use of this trademark without the explicit written permission of Sport-Tiedje is prohibited.

Product and manual are subject to change. Technical data can be changed without advance notice.

ABOUT THIS MANUAL

Please carefully read the entire manual before installation and first use. The manual will help you to quickly set up the system and explains how to safely use it. Make sure that all persons exercising with the equipment (especially children and persons with physical, sensory, mental or motor disabilities) are informed about this manual and its contents in advance. In case of doubt, responsible persons must supervise the use of the equipment.



This equipment has been manufactured according to the latest safety knowledge. As far as possible, potential safety hazards which could cause injury have been eliminated. Make sure to carefully follow the instructions and that all parts are securely in place. If required, read through the instructions again to correct any mistakes.

Please pay close attention to the safety and maintenance instructions given here. The contract partner cannot be held liable for damage to health, accidents or damage to the equipment when it is not used in accordance with these instructions.

The following safety instructions may appear in this manual:

► **ATTENTION**

This notice indicates potentially hazardous situations which, if not avoided, may result in property damage.

⚠ **CAUTION**

This notice indicates potentially hazardous situations which, if not avoided, may result in slight or minor injuries!

⚠ **WARNING**

This notice indicates potentially hazardous situations which, if not avoided, may result in death or serious injuries!

⚠ **DANGER**

This notice indicates potentially hazardous situations which, if not avoided, will result in death or serious injuries!

ⓘ **NOTICE**

This notice indicates further useful information.

Retain these instructions in a safe place for future reference, maintenance or when ordering replacement parts.

1.1 Technical Data

Weight and Dimensions:

Weight block (67,5 kg)

Package dimensions (L x W x H) approx.:

No. 1:	211 cm x 67 cm x 15 cm	59.6 kg
No. 2:	211 cm x 40 cm x 4 cm	5.4 kg
No. 3 (2x):	28 cm x 19 cm x 15 cm	33 kg

Article weight (net, excl. packaging):

120.1 kg

Set-up dimensions (L x W x H) approx.:

27 cm x 64 cm x 209 cm

Weight block (90 kg)

Package dimensions (L x W x H) approx.:

No. 1:	211 cm x 67 cm x 15 cm	59.6 kg
No. 2:	211 cm x 40 cm x 4 cm	5.4 kg
No. 3 (2x):	28 cm x 19 x 15 cm	33 kg
No. 4:	27 cm x 14 cm x 13 cm	23.02 kg

Article weight (net, excl. packaging):

142.6 kg

Set-up dimensions (L x W x H) approx.:

27 cm x 64 cm x 209 cm

Cables and Pulleys:

Material:	Steel
Cover material:	Nylon
Cable quantity:	2
Pulley diameter:	9 cm and 11.4 cm

Weight Block:

Quantity:	1
Weight in total:	67.5 kg / 90 kg
Quantity of weight plates:	14 +1 / 19 +1
Weight per weight plate:	4.5 kg

1.2 Personal Safety

DANGER

- + Before you start using the equipment, you should consult your physician that this type of exercise is suitable for you from a health perspective. Particularly affected are persons who: have a hereditary disposition to high blood pressure or heart disease, are over the age of 45, smoke, have high cholesterol values, are overweight and/or have not exercised regularly in the past year. If you are under medical treatment that affects your heart rate, medical advice is absolutely essential.
- + Note that excessive training can seriously endanger your health. Please also note that heart rate monitoring systems can be inaccurate. If you notice any signs of weakness, nausea, dizziness, pain, shortness of breath, or other abnormal symptoms, stop exercising immediately and seek advice from your doctor if necessary.

WARNING

- + This equipment may not be used by children under the age of 14.
- + Children should not be allowed unsupervised access to the equipment.
- + Persons with disabilities must have a medical license and must be under strict observation when using the equipment.
- + The equipment is strictly for use by one person at a time.
- + If your equipment provides a safety key, the clip of the safety key must be attached to your clothing before starting your training. In the event of a fall, the EMERGENCY STOP of the equipment can be initiated.
- + Keep your hands, feet and other body parts, hair, clothing, jewellery and other objects well clear of moving parts.
- + During use, wear suitable sports clothing rather than loose or baggy clothing. When wearing sports shoes, make sure they have suitable soles, preferably made of rubber or other non-slip materials. Shoes with heels, leather soles, studs or spikes are unsuitable. Never exercise barefoot.

CAUTION

- + If your equipment needs to be connected to the power supply with a mains cable, make sure that the cable is not a potential tripping hazard.
- + Make sure that nobody is within the range of motion of the equipment during training so as not to endanger you or other persons.

ATTENTION

- + Do not insert any objects of any kind into the openings of the device.

1.3 Set-Up Place



WARNING

- + Do not place the equipment in main corridors or escape routes.



CAUTION

- + Choose a location in which to place the equipment such that there is enough free space/clearance to the front, the rear and to the sides of the equipment.
- + The training room should be well ventilated during training and not be exposed to any draughts.
- + Choose the place in which to set up the equipment such that there is enough free space/clearance to the front, the rear and to the sides of the equipment.
- + The set-up and mounting surface of the equipment should be flat, loadable and solid.



ATTENTION

- + The device may only be used in one building, in sufficiently tempered and dry rooms (ambient temperatures between 10°C and 35°C). The equipment should not be used outdoors or in rooms with high humidity (over 70%) like swimming pools.
- + A floor protective mat/equipment underlay can help to protect high-quality floor coverings (parquet, laminate, cork, carpets) from dents and sweat and can help to level out slight unevenness.

2.1 General Instructions

 **DANGER**

- + Do not leave any tools, packaging materials such as foils or small parts lying around, as otherwise there is a danger of suffocation for children. Keep children away from the equipment during assembly.

 **WARNING**

- + Pay attention to the instructions attached to the equipment in order to reduce the risk of injuries.

 **CAUTION**

- + Ensure to have sufficient room for movement in each direction during assembly.
- + The assembly of the equipment must be carried out by at least two adults. If in doubt, seek the help of a third technically skilled person.

 **ATTENTION**

- + To prevent damage to the equipment and the floor, assemble the equipment on a mat or packaging board.

 **NOTICE**

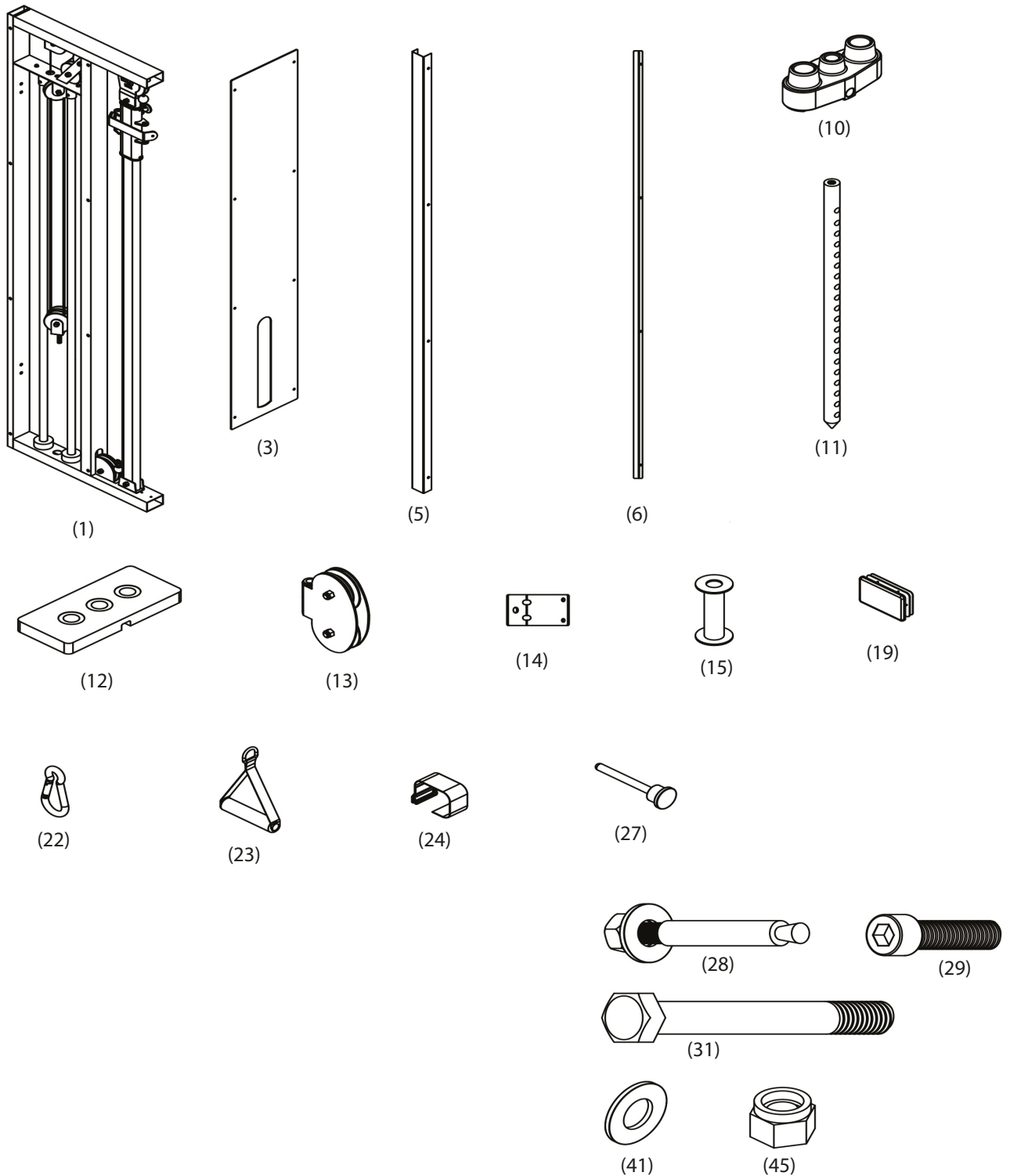
- + In order to make the assembly as simple as possible, some screws and nuts to be used can already be pre-assembled.
- + Ideally, assemble the equipment at its later set-up place.

2.2 Scope of Delivery

The scope of delivery consist of the following parts. At the beginning, check whether all parts and tools belonging to the device are included in the scope of delivery and whether damage has occurred. In the event of complaints, the contractual partner must be contacted directly.

CAUTION

If parts of the scope of delivery are missing or damaged, the assembly must not be carried out.



2.3 Assembly

Before assembly, take a close look at the individual assembly steps shown and carry out the assembly in the order given.

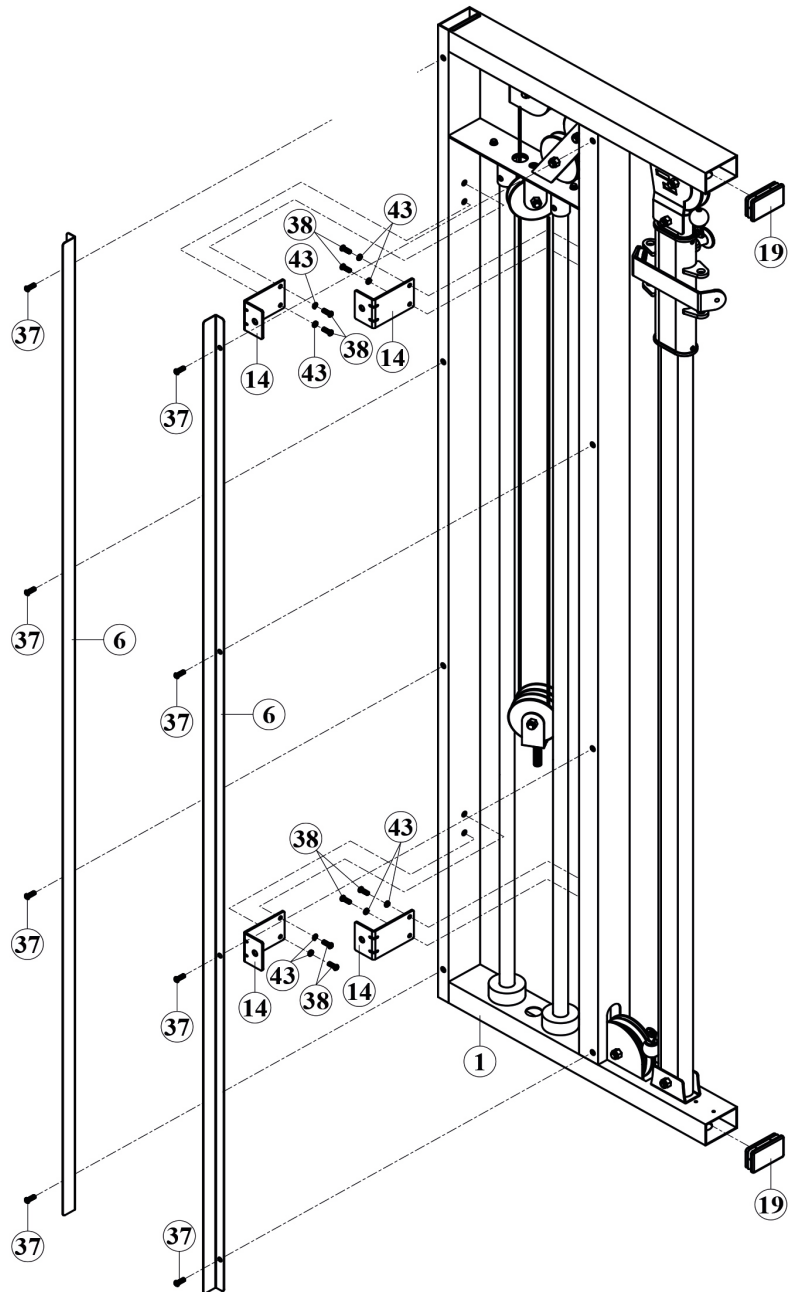
① NOTICE

First loosely screw all parts together and check that they fit properly. Tighten the screws using the tool only when you are instructed to do so.

2.3.1 Assembly (left)

Step 1

1. Fasten the two rear covers (6) to the main frame (1) with eight screws (37).
2. Fasten the four L-shaped brackets (14) to the main frame (1) with eight screws (38) and eight spring washers (43).
3. Place the two end caps (19) on the main frame (1).

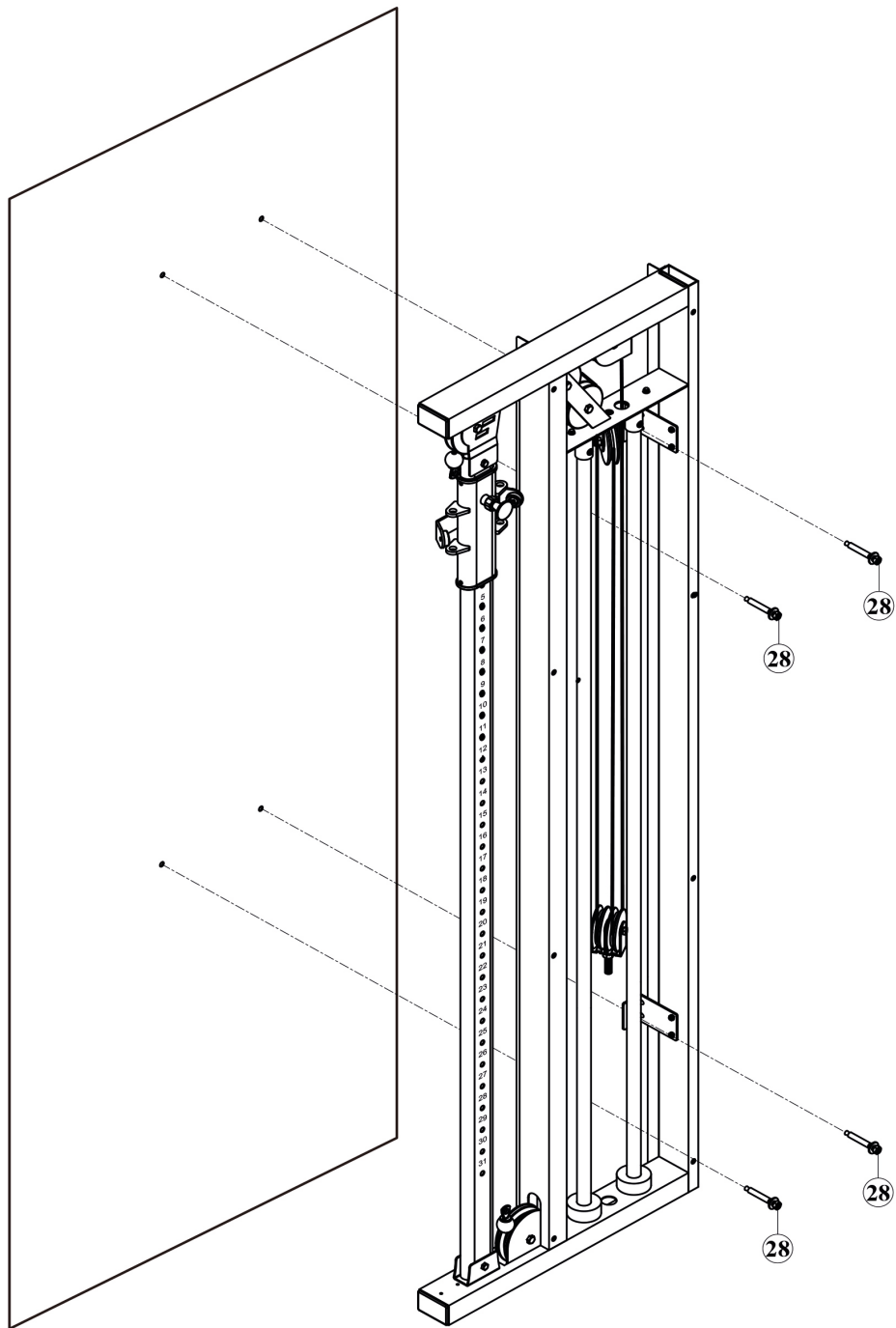


Step 2

WARNING

Check whether the condition of your walls is suitable for mounting this unit. To do this, contact your contract partner.

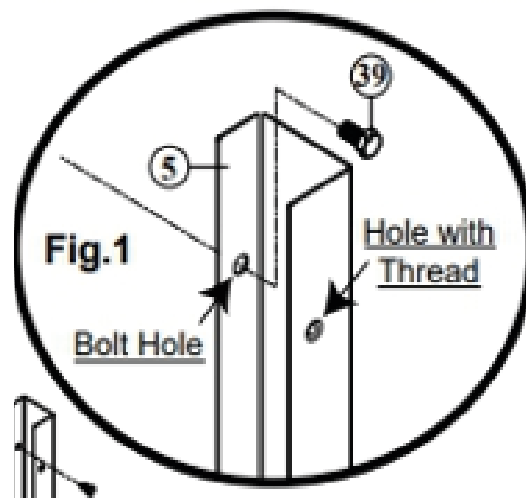
Fasten the main frame (1) with four bolt sets (28).



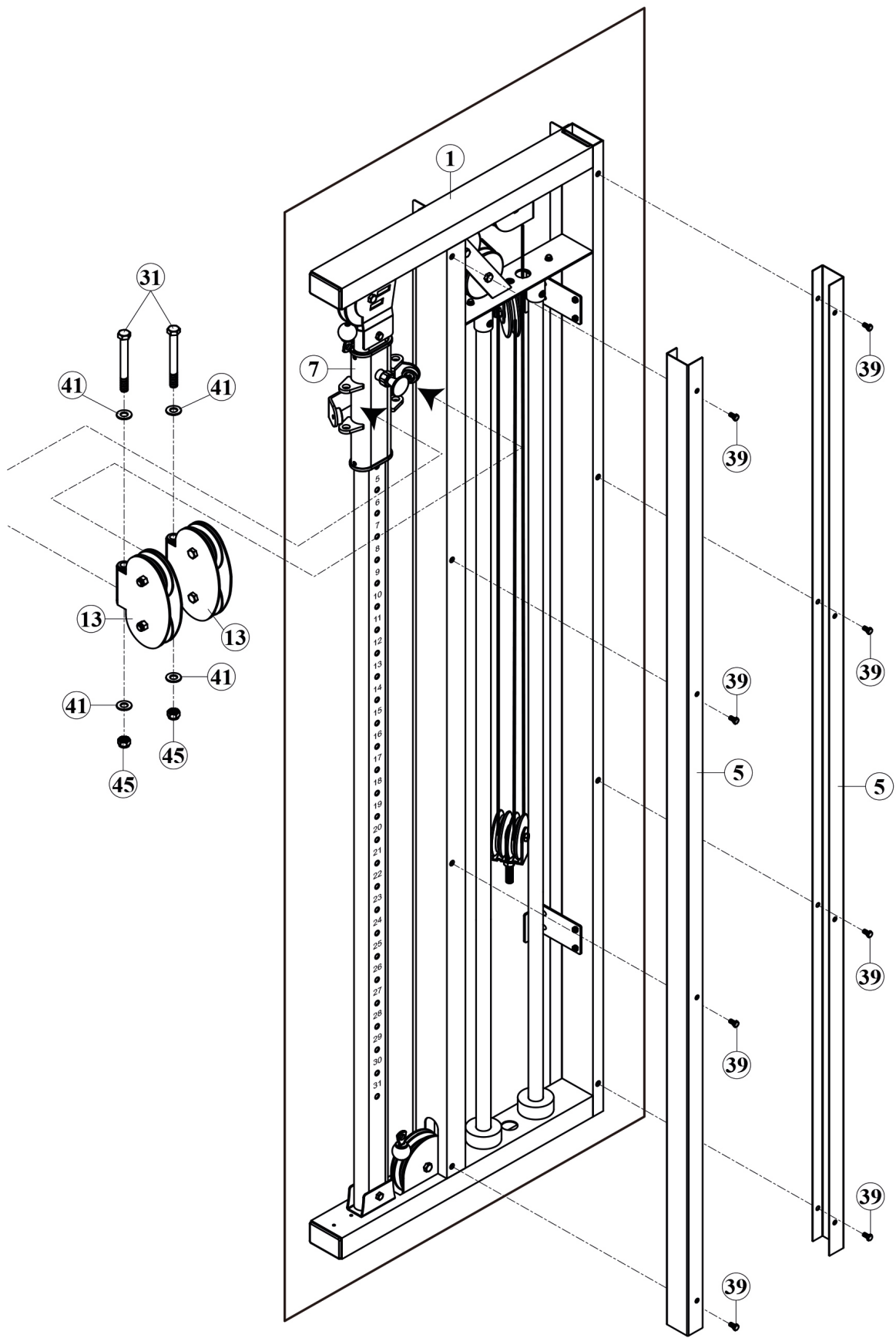
Step 3

NOTICE

Before installing the front covers, Make sure that the bolt hole faces in the direction of the main frame like in the footate below. (also applies to step 11).



1. Fasten the pulley housings (13) to the cable height adjuster (7) with two bolts (31), four washers (41) and two nuts (45).
2. Attach the two front covers (5) to the main frame (1) with eight bolts (39).

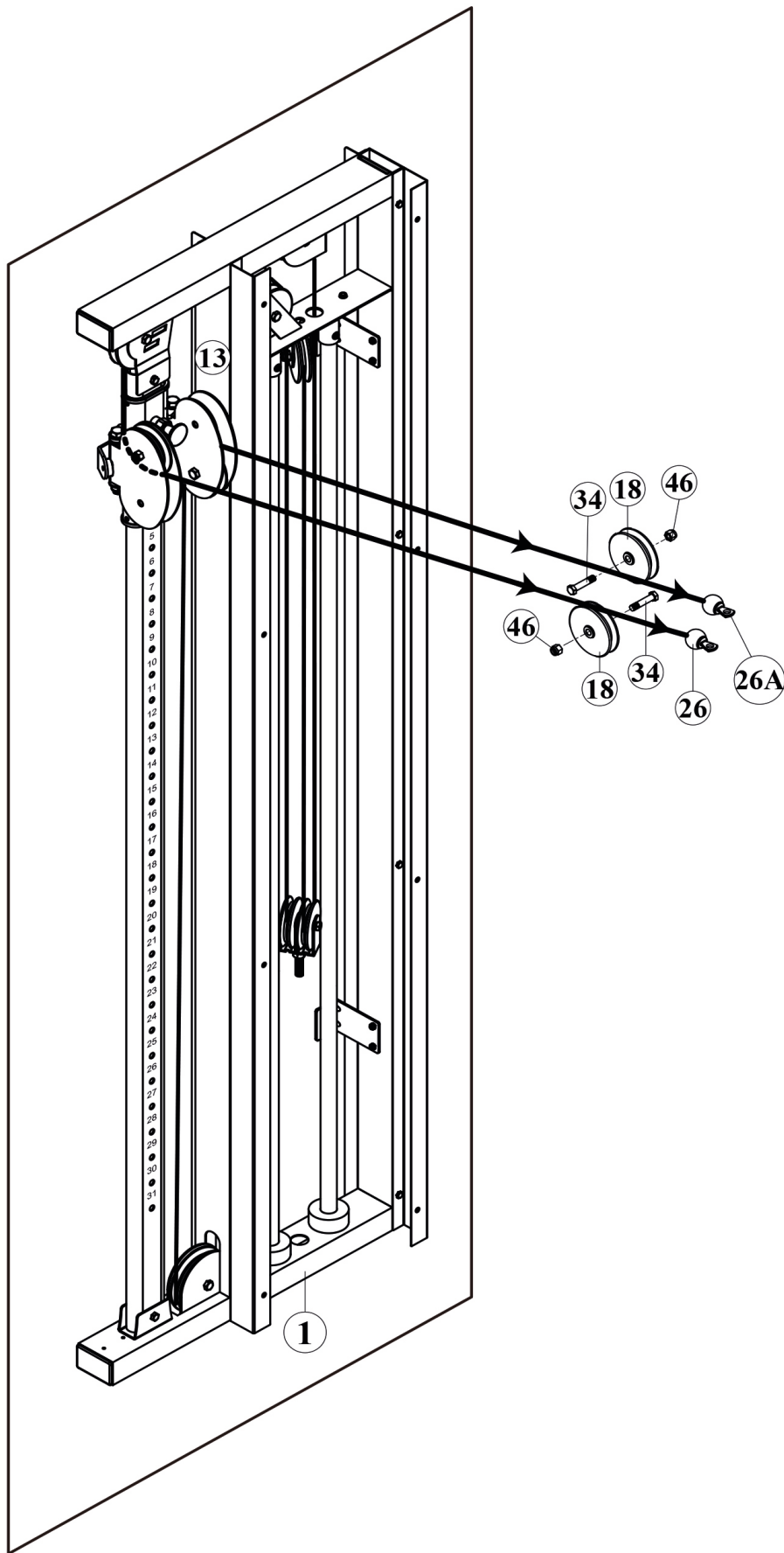


Step 4

ⓘ NOTICE

The pulleys (18) are fixed simultaneously with the cable (26)

1. Remove one pulley (18) from each of the pulley housings (13) by loosening two bolts (34) and two nuts (46).
2. Guide the ball end of the cable (26) through the left pulley housing (13) and re-fasten the previously removed pulley (18) with a bolt (34) and a nut (46).
3. Pass the ball end of the cable (26) through the right pulley housing (13) and re-fasten the previously removed pulley (18) with a bolt (34) and nut (46).



Step 5

1. Remove the guide rod retainer (8).

ⓘ NOTICE

Check the number of weight plates of the weight block (12). If you have a total of 14 weight plates, use the spacers (15) when assembling the weight block. If you have 19 weight plates, skip this step.

2. Slide the rubber donuts (16) onto the guide rods (4).
3. Slide all the weight plates of the weight block (12) one by one onto the guide rods (4).
4. Attach the top plate (10) to the selector rod (11) with the pin (29).
5. Screw the double pulley block (9) into the top plate (10).
6. Insert the selector rod (11) into the weight block (12).
7. Insert the guide rods (4) into the guide rod retainer (8).
8. Fasten the guide rods (4) to the guide rod retainer (8) using two screws (40).
9. Attach the guide rod retainer (8) to the main frame (1) with two screws (35).

ⓘ NOTICE

The length of the cable can be varied by removing the screw on the top plate (10) and turning the selector rod (11). Please refer to chapter 2.4.

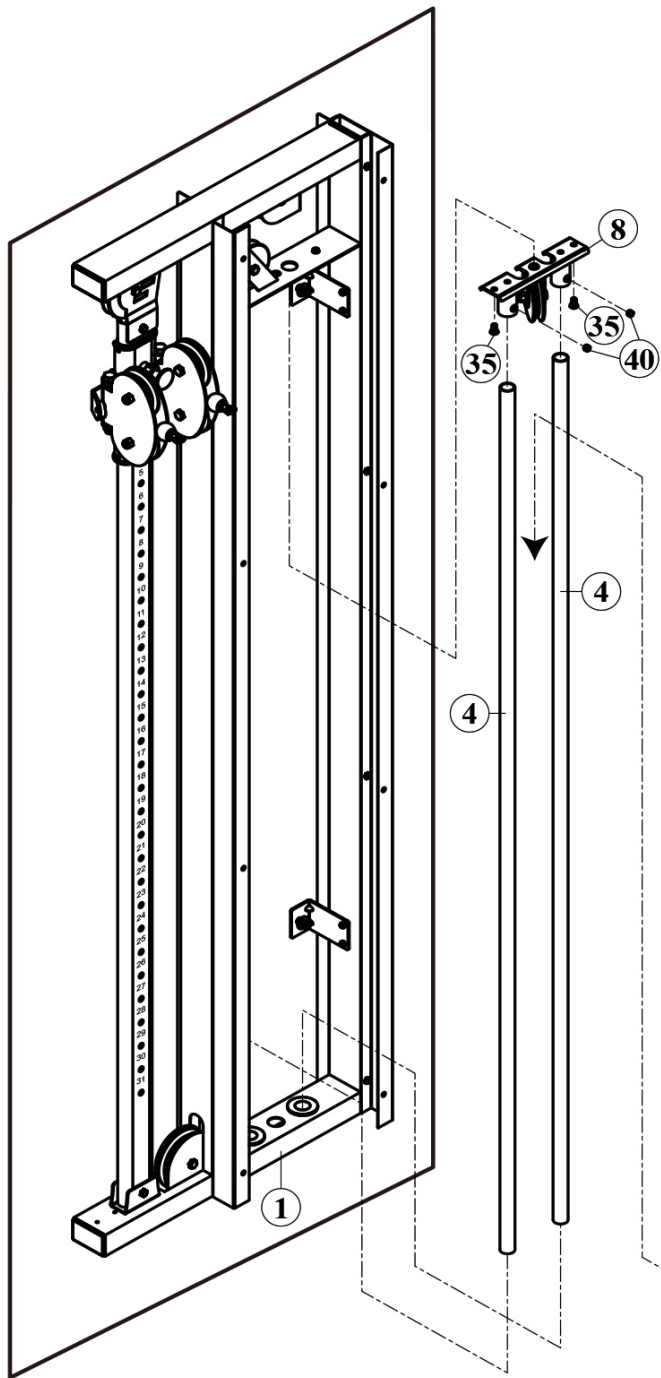
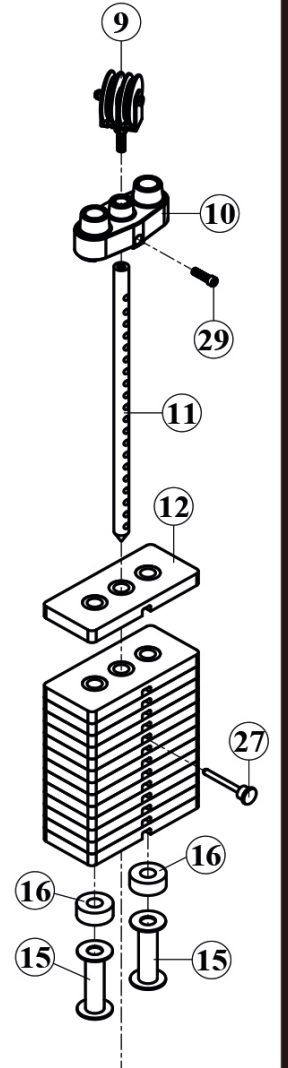
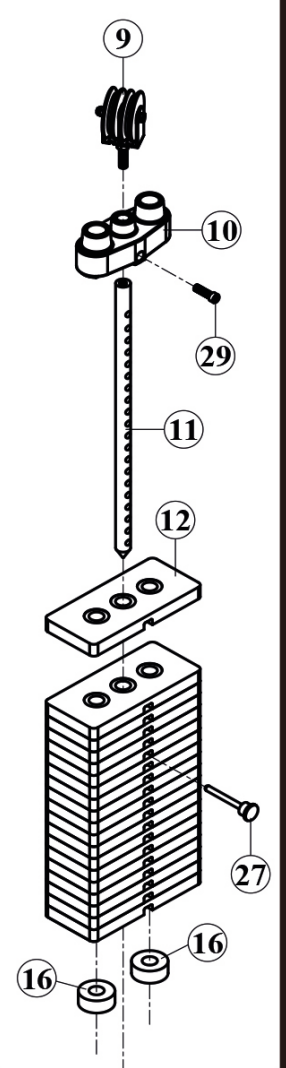


Fig 1.
14 Weight Plates



150 lbs stack

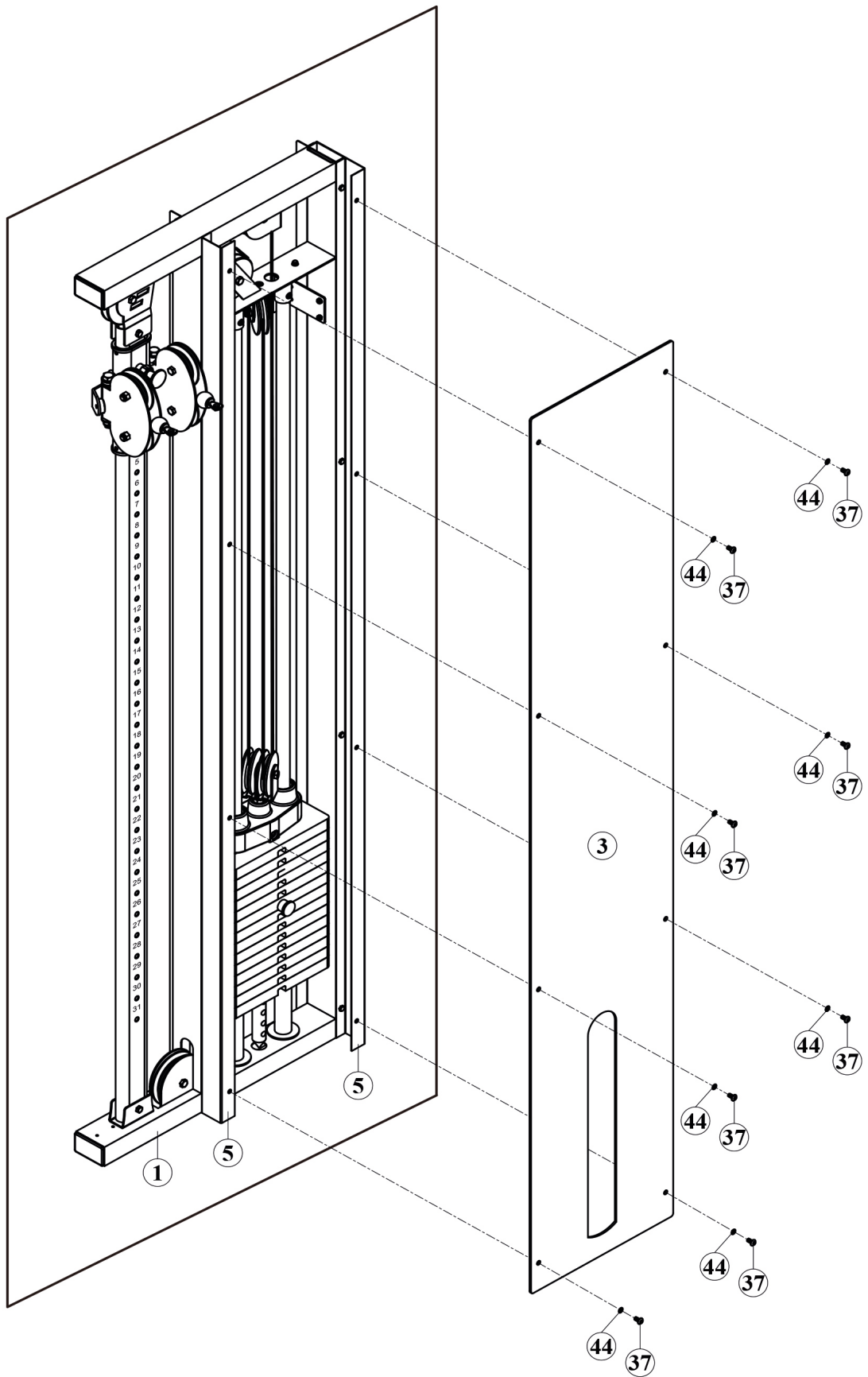
Fig 2.
19 Weight Plates



200 lbs stack

Step 6

Fix the panel (3) to the two front covers (5) with eight screws (37) and eight rubber gaskets (44).



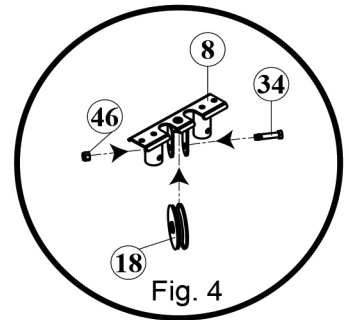
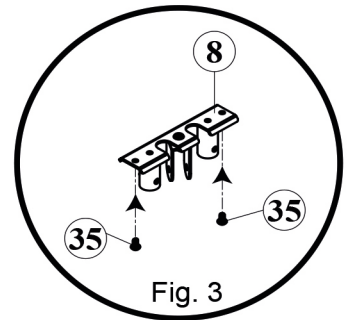
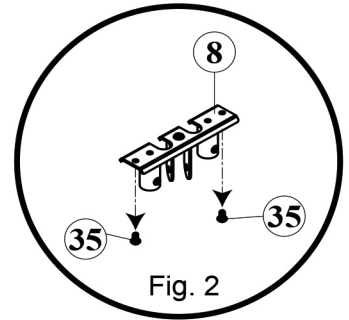
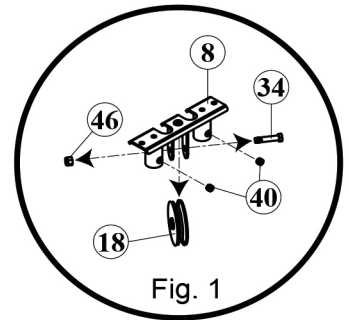
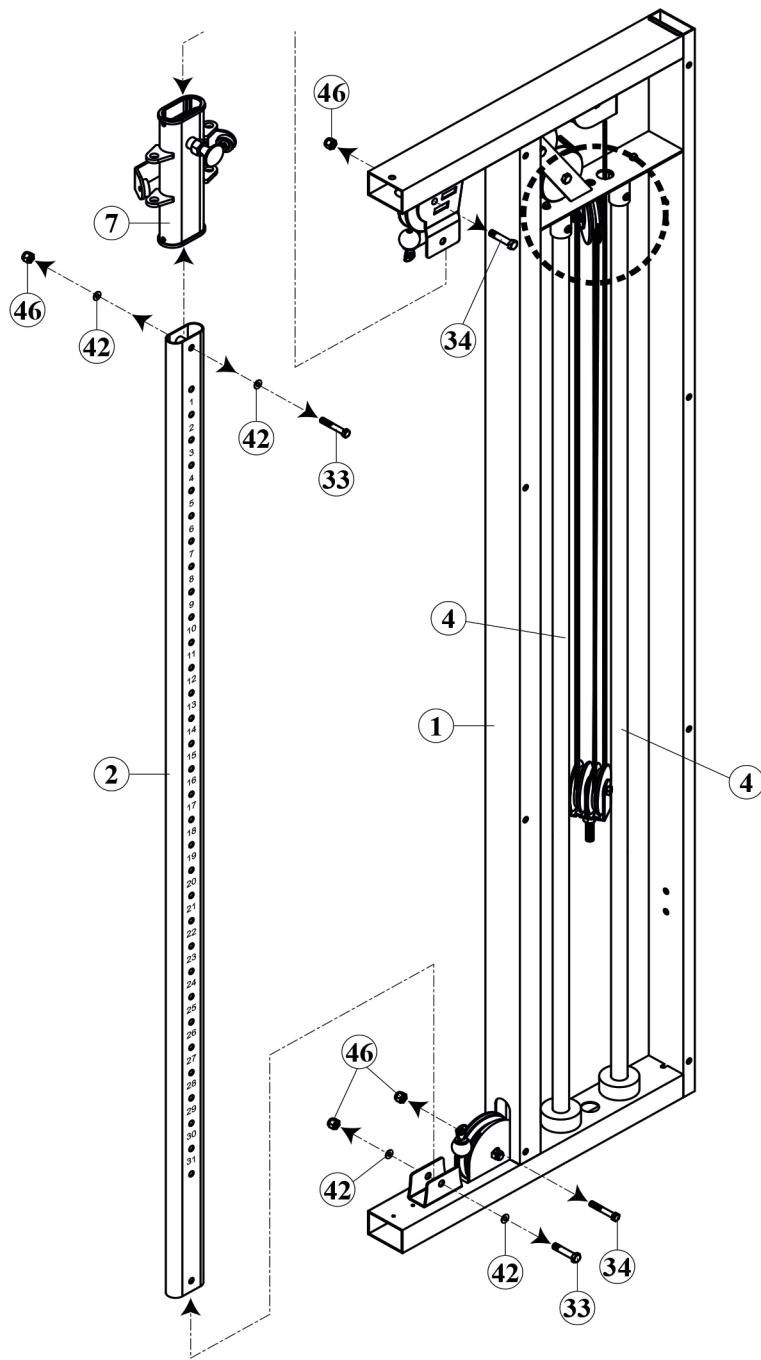
2.3.2 Assembly (right)

Step 7

1. Remove the upright frame (2) along with the cable height adjuster (7) from the main frame (1) by loosening the two bolts (33), four washers (42) and two nuts (46).
2. Loosen the two bolts (34) and two nuts (46) from the main frame (1).
3. Remove the pulley (18) from the guide rod retainer (8) by loosening the two screws (40), the bolt (34) and the nut (46).
4. Remove the guide rod retainer (8) and the two guide rods (4) from the main frame (1) by loosening the two screws (35).
5. Turn the guide rod retainer (8) around and reattach it along with the guide rods (4) to the main frame (1) with the previously removed screws.
6. Re-attach the pulley (18) to the guide rod retainer (8) with the screws and nuts removed previously.

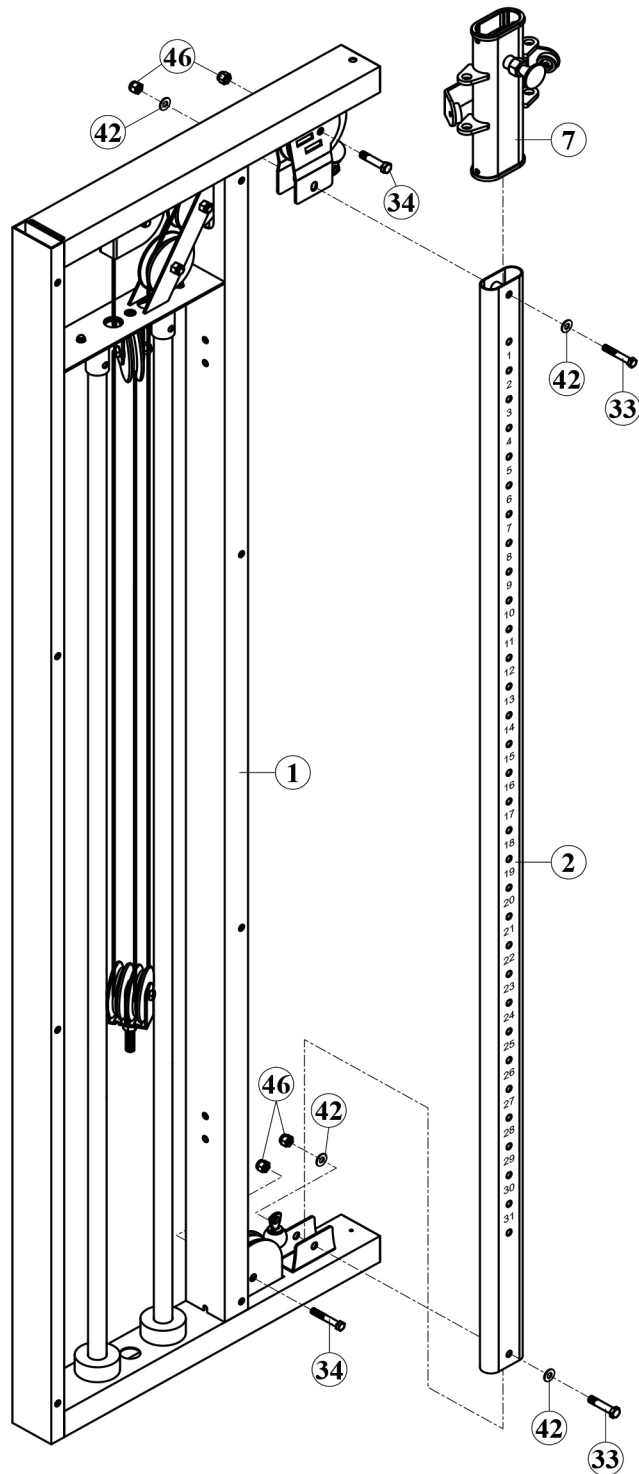
ⓘ NOTICE

Please refer to step 15 and follow the fifth instruction to reinstall the cable (26) if the cable needs to be adjusted.



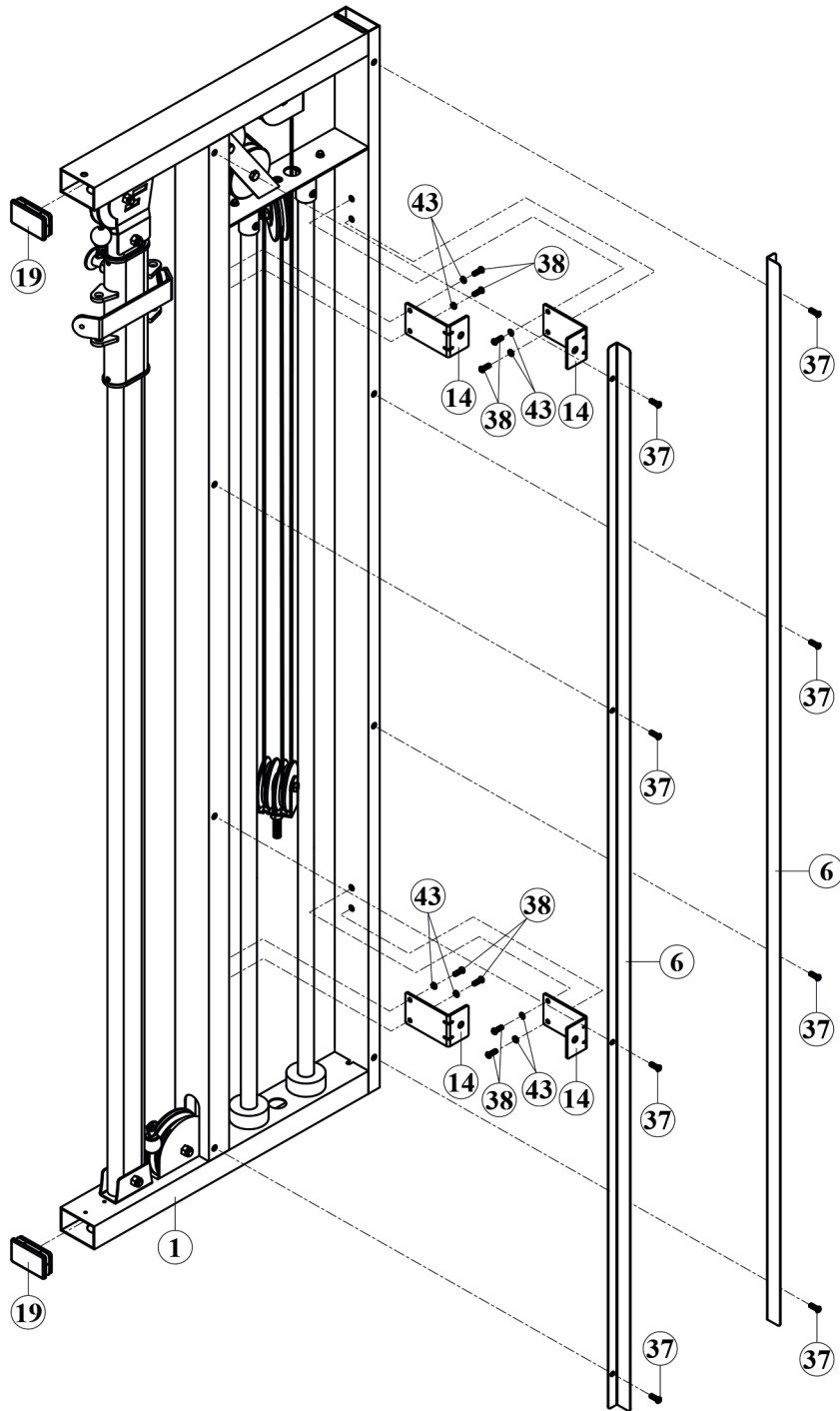
Step 8

1. Turn the main frame (1) around.
2. Reattach the upright frame (2) along with the cable height adjuster (7) to the main frame (1) using the bolts, washers and nuts previously removed in step 7.
3. Refasten the two bolts (34) and the two nuts (46) on the main frame (1).



Step 9

1. Fasten the two rear covers (6) to the main frame (1) with eight screws (37).
2. Fasten the four L-shaped brackets (14) to the main frame (1) with eight screws (38) and eight spring washers (43).
3. Place the two end caps (19) on the main frame (1).



Step 10

► **ATTENTION**

The supplied assembly material for wall mounting is not suitable for every wall. Pay attention to the condition of your wall to determine which assembly material is suitable for your wall.

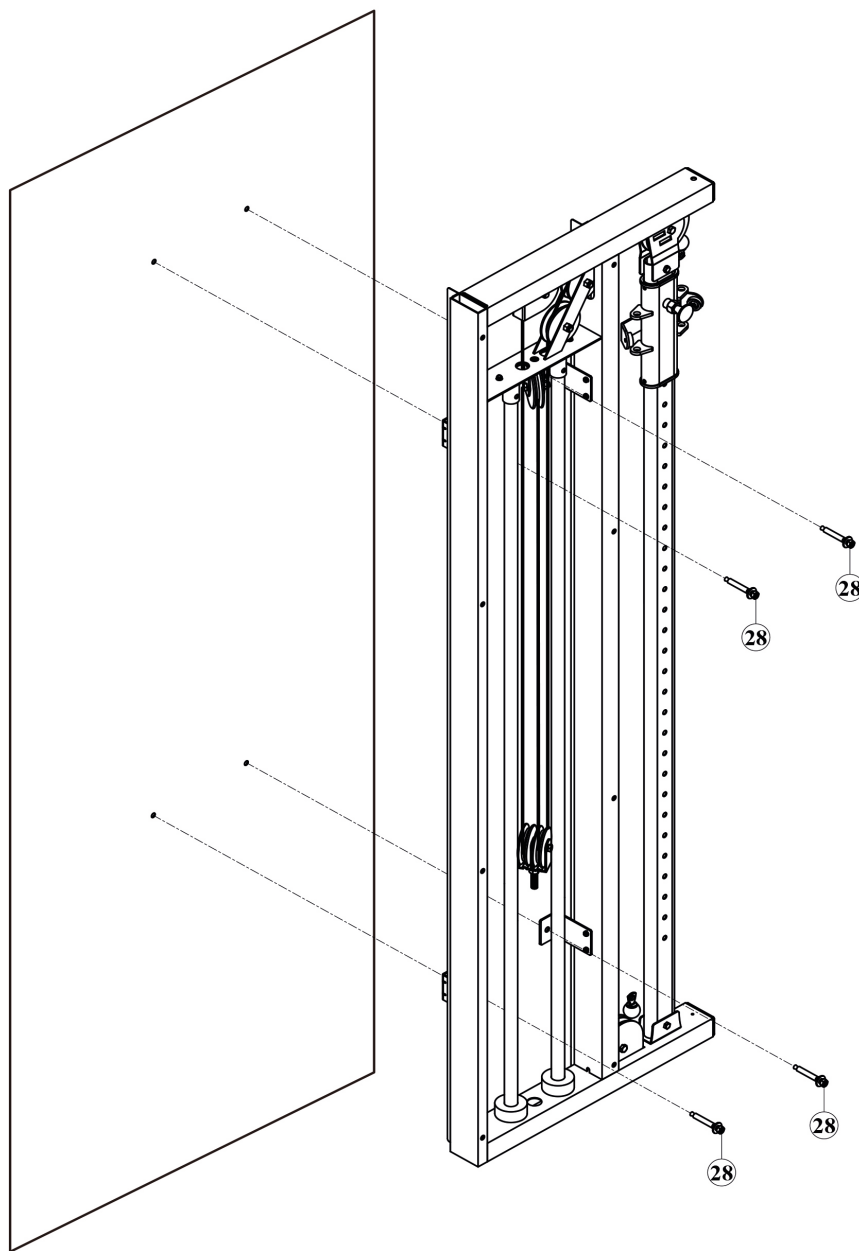
The contractual partner accepts no liability for any damage to the wall.

Make sure that there are no cables or wires running in the wall where you attach the training equipment.

ⓘ **NOTICE**

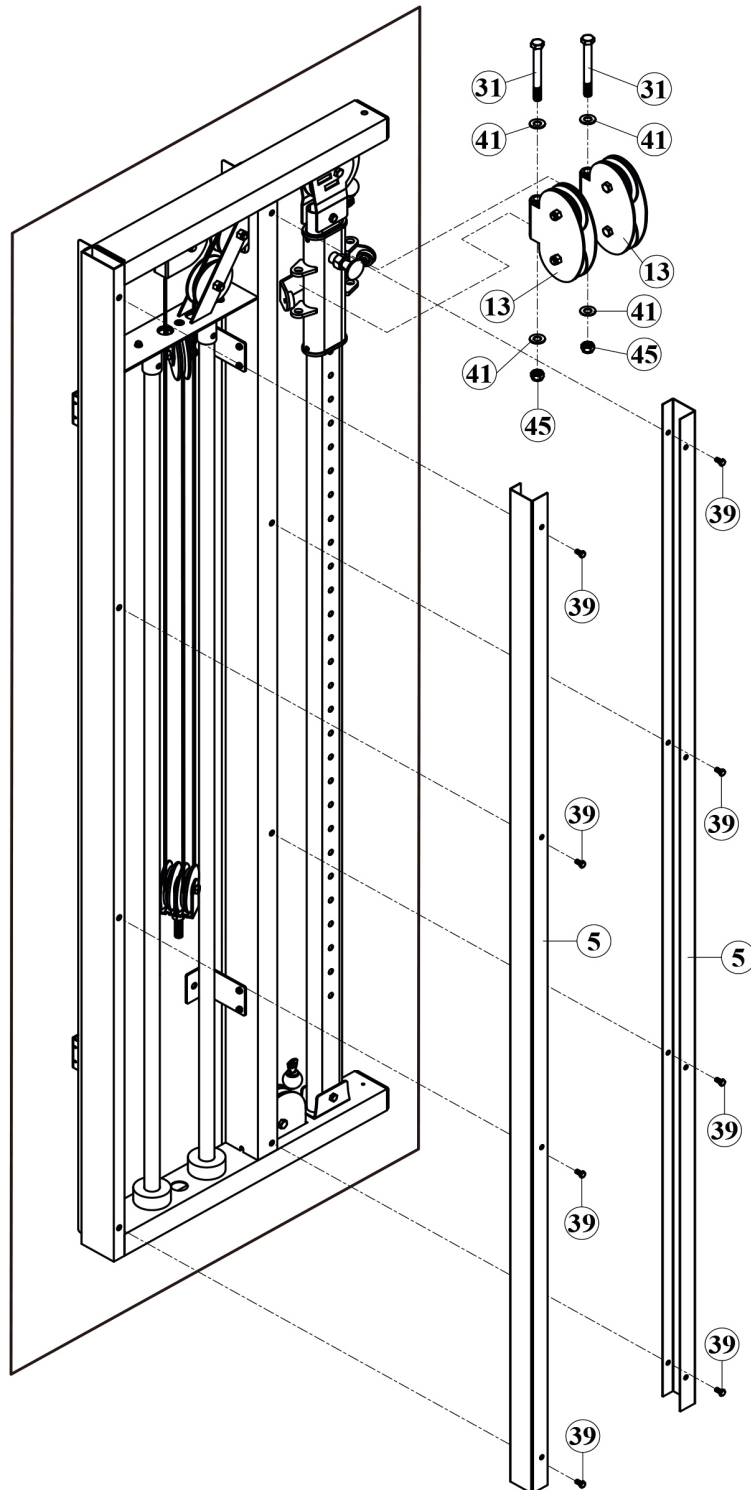
The supplied assembly material is not suitable for every wall, so you may need to get assembly material that is suitable for your wall.

Fasten the main frame (1) with four bolt sets (28).



Step 11

1. Fasten the two pulley housings (13) to the cable height adjuster (7) with two bolts (31), four washers (41) and two nuts (45).
2. Attach the two front covers (5) to the main frame (1) with eight bolts (39).

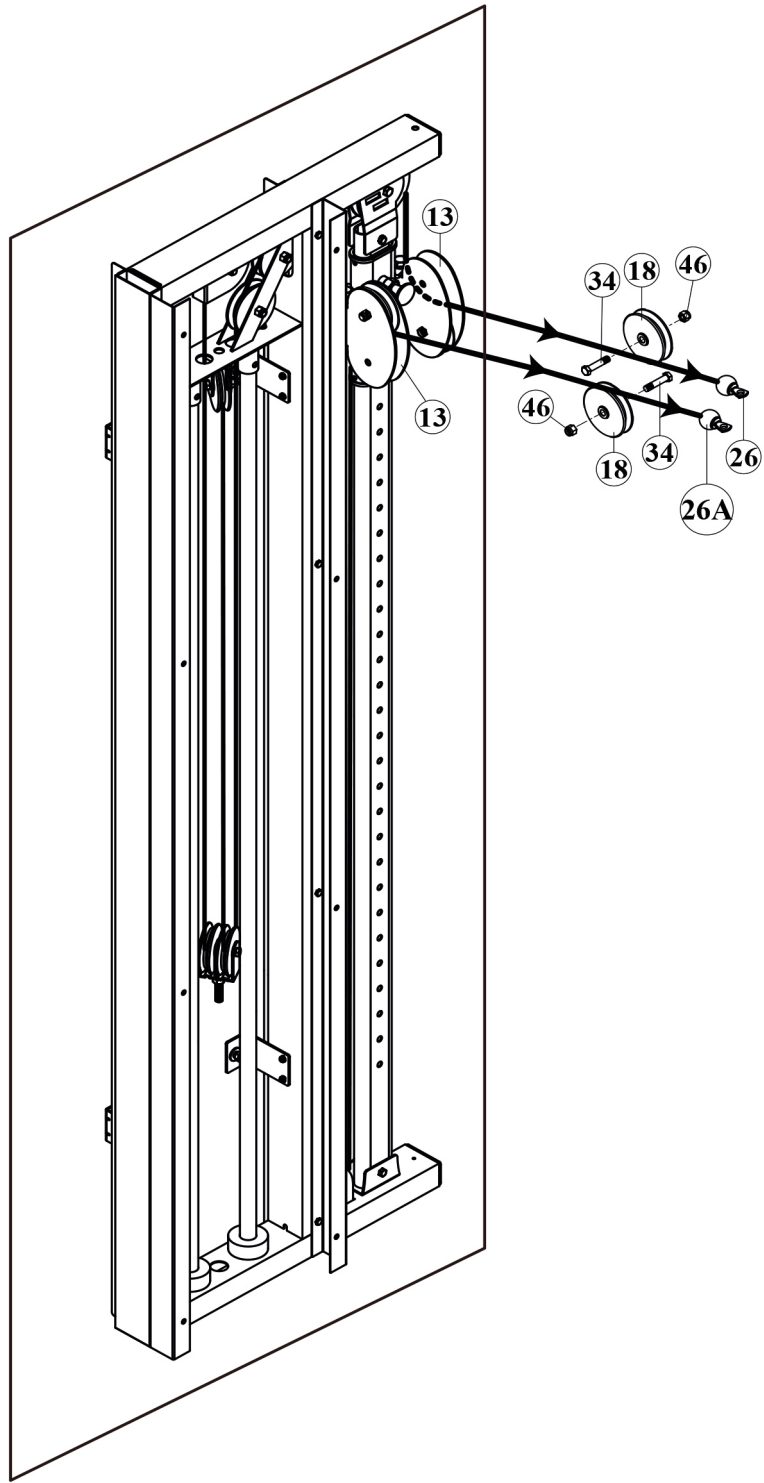


Step 12

ⓘ NOTICE

The pulleys (18) are fixed simultaneously with the cable (26)

1. Remove one pulley (18) from each of the pulley housings (13) by loosening two bolts (34) and two nuts (46).
2. Guide the ball end of the cable (26) through the left pulley housing (13) and re-fasten the previously removed pulley (18) with a bolt (34) and a nut (46).
3. Pass the ball end of the cable (26) through the right pulley housing (13) and re-fasten the previously removed pulley (18) with a bolt (34) and nut (46).



Step 13

1. Remove the guide rod retainer (8).

ⓘ NOTICE

Check the number of weight plates of the weight block (12). If you have a total of 14 weight plates, use the spacers (15) when assembling the weight block. If you have 19 weight plates, skip this step.

2. Slide the rubber donuts (16) onto the guide rods (4).
3. Slide all the weight plates of the weight block (12) one by one onto the guide rods (4).
4. Attach the top plate (10) to the selector rod (11) with the pin (29).
5. Screw the double pulley block (9) into the top plate (10).
6. Insert the selector rod (11) into the weight block (12).
7. Insert the guide rods (4) into the guide rod retainer (8).
8. Fasten the guide rods (4) to the guide rod retainer (8) using two screws (40).
9. Attach the guide rod retainer (8) to the main frame (1) with two screws (35).

ⓘ NOTICE

The length of the cable can be varied by removing the screw on the top plate (10) and turning the selector rod (11). Please refer to chapter 2.4.

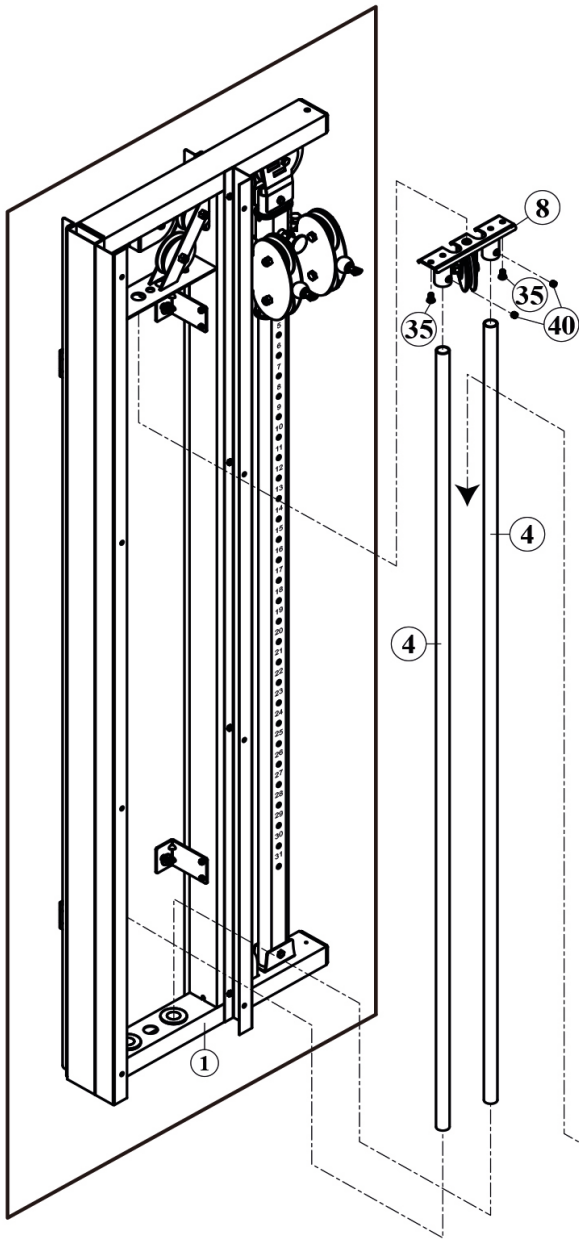
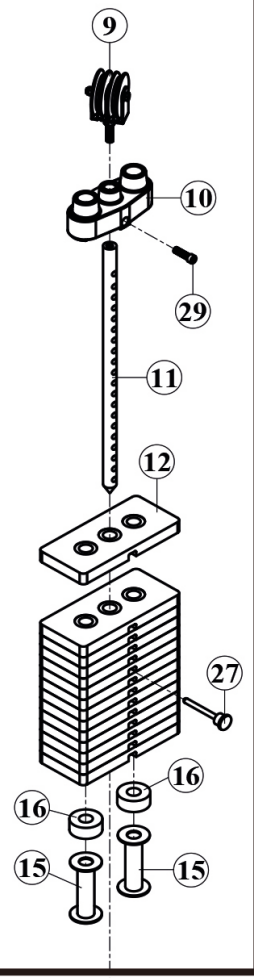
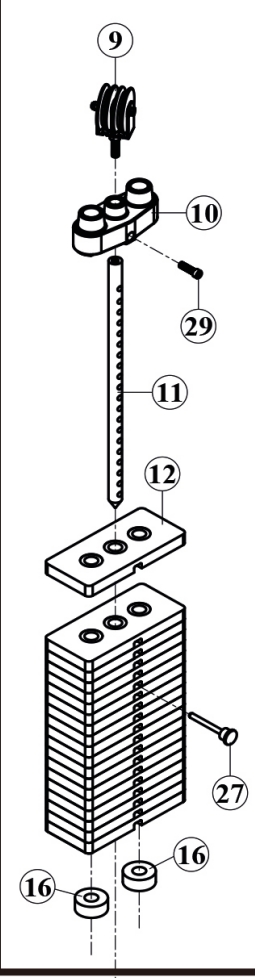


Fig 1.
14 Weight Plates



150 lbs stack

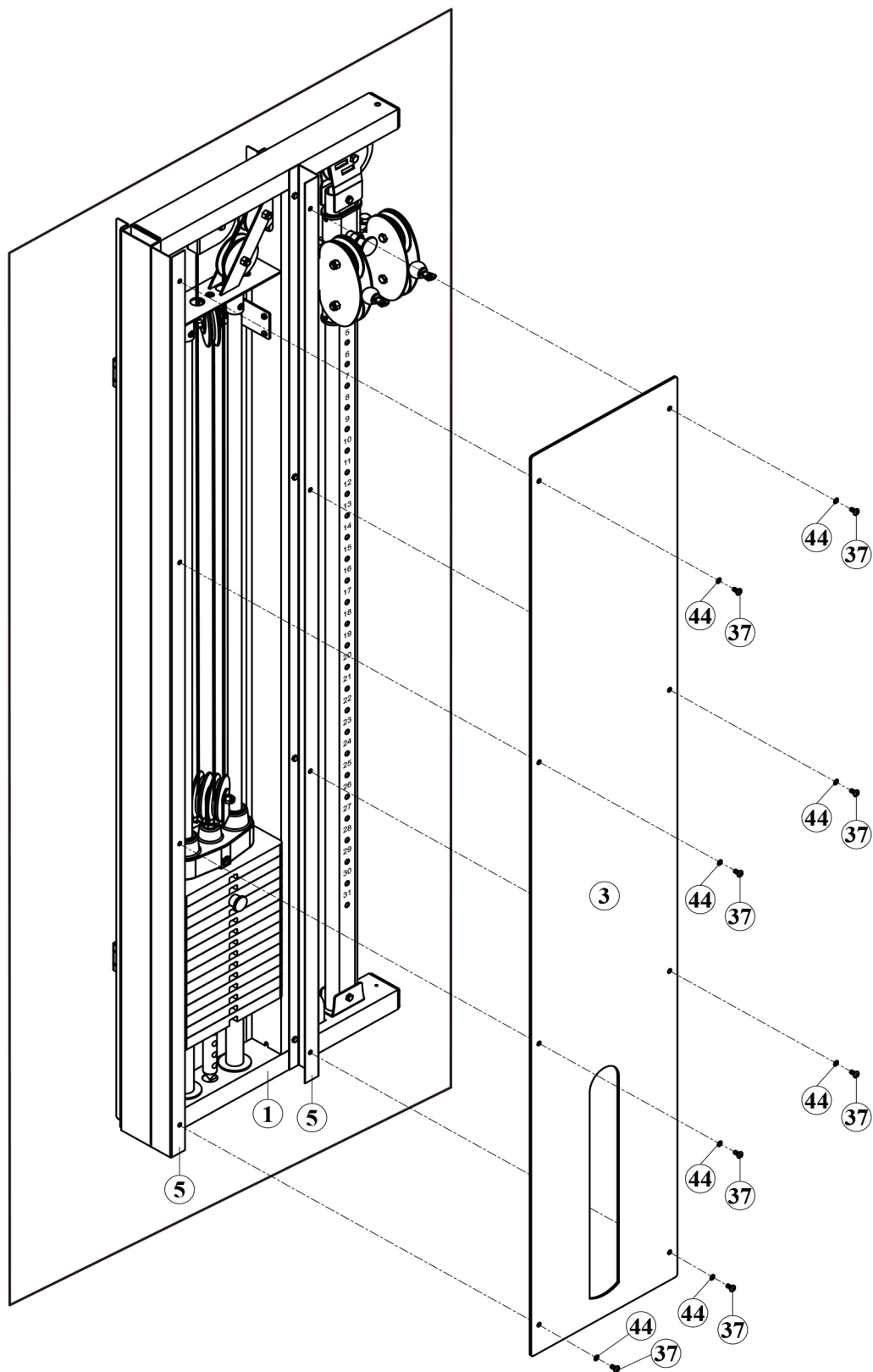
Fig 2.
19 Weight Plates



200 lbs stack

Step 14

Fix the panel (3) to the two front covers (5) with eight screws (37) and eight rubber gaskets (44).



Step 15

1. Remove one pulley (18) each from the two pulley housings (13). To do this, loosen the two bolts (34) and the two nuts (46).
2. Guide the ball end of the cable (26) through the two pulleys (18) located in the right pulley housing (13).
3. Assemble the pulley (18) in the right pulley housing (13) again with the previously loosened bolt (34) and nut (46).
4. Loosen the bolt (32) and the nut (46) of the double pulley block (9).
5. Guide the cable (26) up to the A4 pulley in the double pulley block (9), up to the A5 pulley in the main frame (1) and then up to the A6 pulley.
6. Attach the bolt (32) and nut (46) to the double pulley block (9).
7. Guide the cable (26) through the two pulleys (18) in the left pulley housing (13) and then reattach the pulley (18) to the left pulley housing (13) with the bolt (34) and nut (46).

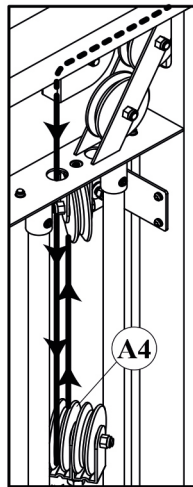
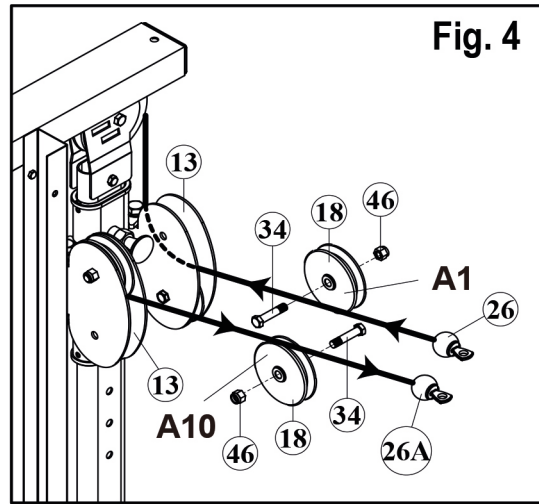
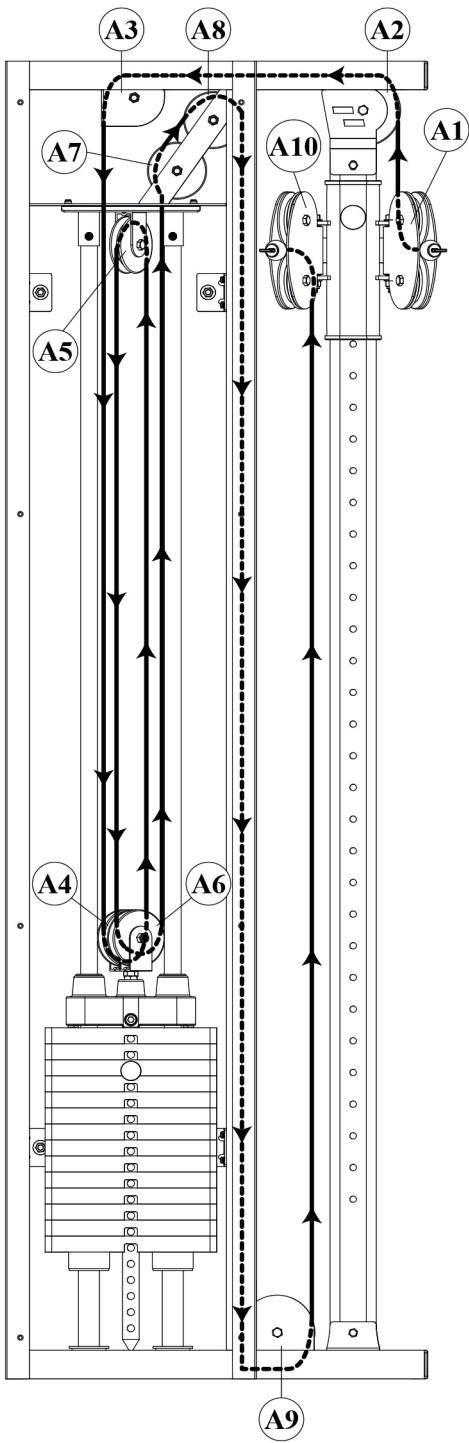


Fig. 1

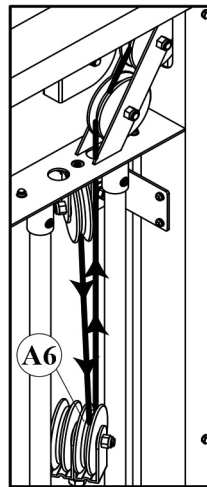


Fig. 2

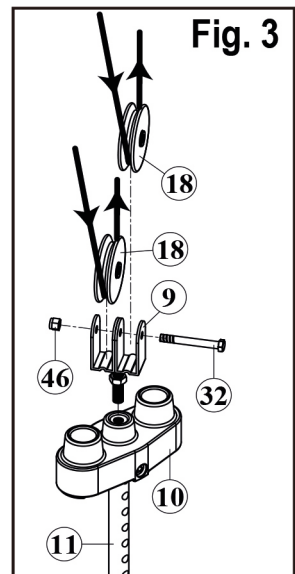
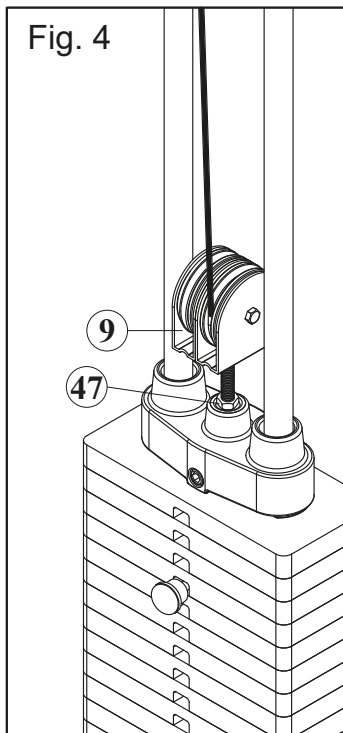
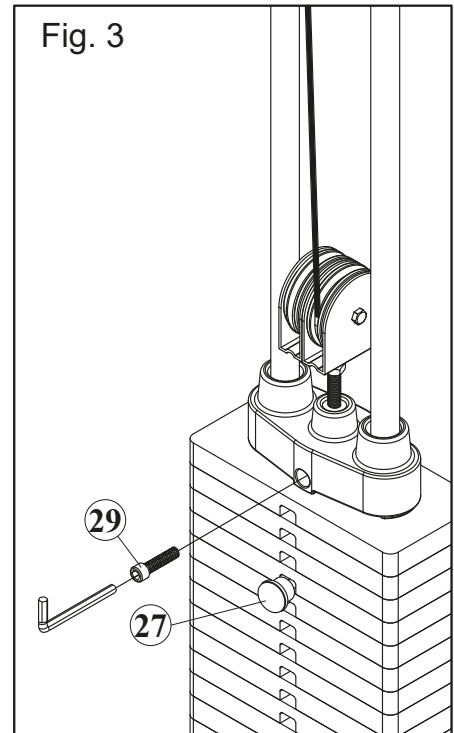
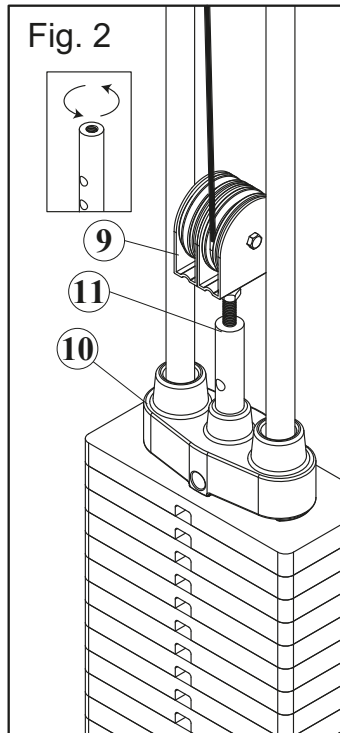
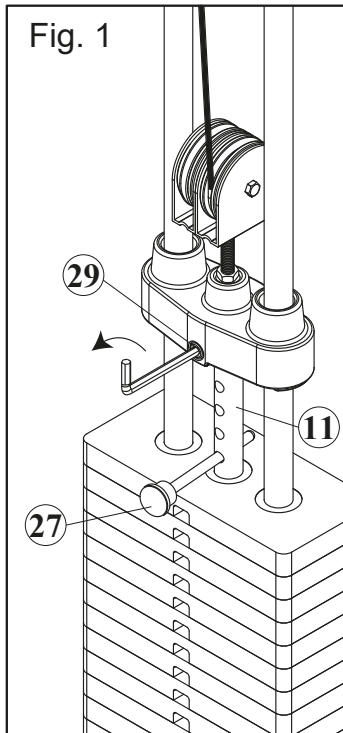


Fig. 3

2.4 Cable Adjustment

The cables should be tensioned so that the top weight plate is just resting on the other weight plates. As soon as the top weight plate does not rest on the other weight plates, the cable should be extended. As soon as the cable slackens, the cable must be shortened.



1 Use the selector pin (27) to stabilize the selector rod (11) and the loose bolt of the top plate bolt (29) as shown in Fig. 1.

2. Release the top plate (10). Hold the double pulley block (9) and rotate the selector rod (11) to adjust the cable tension. If the cable is too long, turn the selector rod (11) clockwise to adjust. If the cable is too short, turn the selector rod (11) counterclockwise as shown in Fig. 2.

3. Use the selector pin (27) to find the most suitable cable tension. Then tighten the top plate bolt (29) as shown in Fig. 3.

4. After you have found the best cable tension, unscrew the nut (47) to secure the double pulley block (9) as shown in fig. 4.

3.1 General Instructions



WARNING

- + The storage location should be chosen so that improper use by third parties or children can be prevented.
- + If your equipment does not have transportation wheels, the equipment must be disassembled before transportation.



ATTENTION

- + Make sure that the equipment is protected from moisture, dust and dirt in the selected storage location. The storage location should be dry and well ventilated and have a constant ambient temperature between 10°C and 35°C.

4.1 General Instructions



WARNING

- + Do not make any improper changes to the equipment.



CAUTION

- + Damaged or worn components may affect your safety and the life of the equipment. Therefore, immediately replace damaged or worn components. In such a case, contact the contract partner. The equipment must not be used until it has been repaired. If necessary, use only original spare parts.

► ATTENTION

- + In addition to the instructions and recommendations for maintenance and care given here, additional service and/or repair work may be necessary; this must only be carried out by authorised service technicians.

4.2 Faults and Fault Diagnosis

The equipment undergoes regular quality controls during production. Nevertheless, faults or malfunctions may occur. Frequently, individual parts are responsible for these disturbances, an exchange is usually sufficient. Please refer to the following overview for the most common errors and how to correct them. If the equipment still does not function properly, contact your contract partner.

Fault	Cause	Solution
Grinding noises	Cables or pulleys do not run smoothly or are damaged	+ Visual inspection of the cable routing or the pulley guide + If damaged, replace the defective part
Weight hanging in the air	Cable tensioned too tight	Readjust cable tension
Cable without tension	Cable too loose	+ Check cable routing + Readjust cable tension
Squeaking & cracking noises	Screw connections loosened or too tight	+ Check or lubricate screw connections* + Check cable routing
Unit wobbles	+ Uneven ground + Loose screw connections	+ Align unit + Tighten screw connections
Heavy draught	+ Weight holders/guide rods too dry + Faulty cable routing	+ Lubricate guide rods* + Check cable routing

* With a grease-free silicone oil or silicone spray.

4.3 Maintenance and Inspection Calendar

To avoid damage from body sweat, the equipment must be cleaned with a damp towel (no solvents!) after each training session.

The following routine tasks must be performed at the specified intervals:

Part	Weekly	Monthly	Quarterly
Cables	C	I	
Screw connections		I	
Pulleys and cable routing		I	
Slide rails/Guide rods		I	
Weights			I
Cushions	C	I	
Legend: C = clean; I = inspect			

5 DISPOSAL

At the end of its operational life, this equipment cannot be disposed of in normal household waste. Instead, it must be disposed of via an recycling centre. Further information can be obtained from your local authority's recycling service.



The materials can be recycled as per their symbols. Through the reuse, recycling of materials or other forms of recovery of old equipment, you make an important contribution to the protection of the environment.

6 RECOMMENDED ACCESSORIES

To make your training experience even more efficient and pleasant, we recommend that you add suiting accessories to your fitness equipment. For training equipment like smith machines, weight benches or racks this could for example be a **floor mat**, which makes your fitness equipment stand more securely and also protects the floor from sweat but it could be also **additional weights, handles, foot straps** for leg exercises or **triceps ropes**. For some smith machines, there are also optional add-ons such as **leg presses** that make your workout even more intense and comprehensive.

Our range of accessories offers the highest quality and makes training even better to find out more about compatible accessories, please go to the detail page of the product in our webshop (the easiest way is to enter the article number in the search field above) and go to the recommended accessories on this page. Alternatively, you can use the QR code provided. Of course, you can also contact our customer service: by telephone, e-mail, in one of our branches or via our social media channels. We will be happy to advise you!



floor mat



chest strap



triceps rope



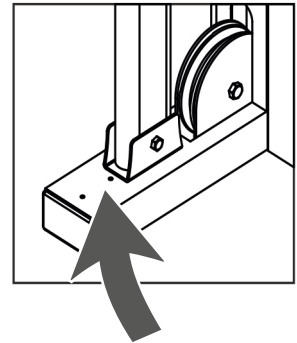
weight block extension

7.1 Serial Number and Model Name

In order to provide you with the best possible service, please have the model name, article number, serial number, exploded drawing and parts list ready. The corresponding contact options can be found in chapter 9 of this operating manual.

NOTICE

The serial number of your equipment is unique. It's located on a white sticker. The exact position of this sticker is shown in the following illustration.



Enter the serial number in the appropriate field.

Serial number:

Brand / Category:

Model Name:

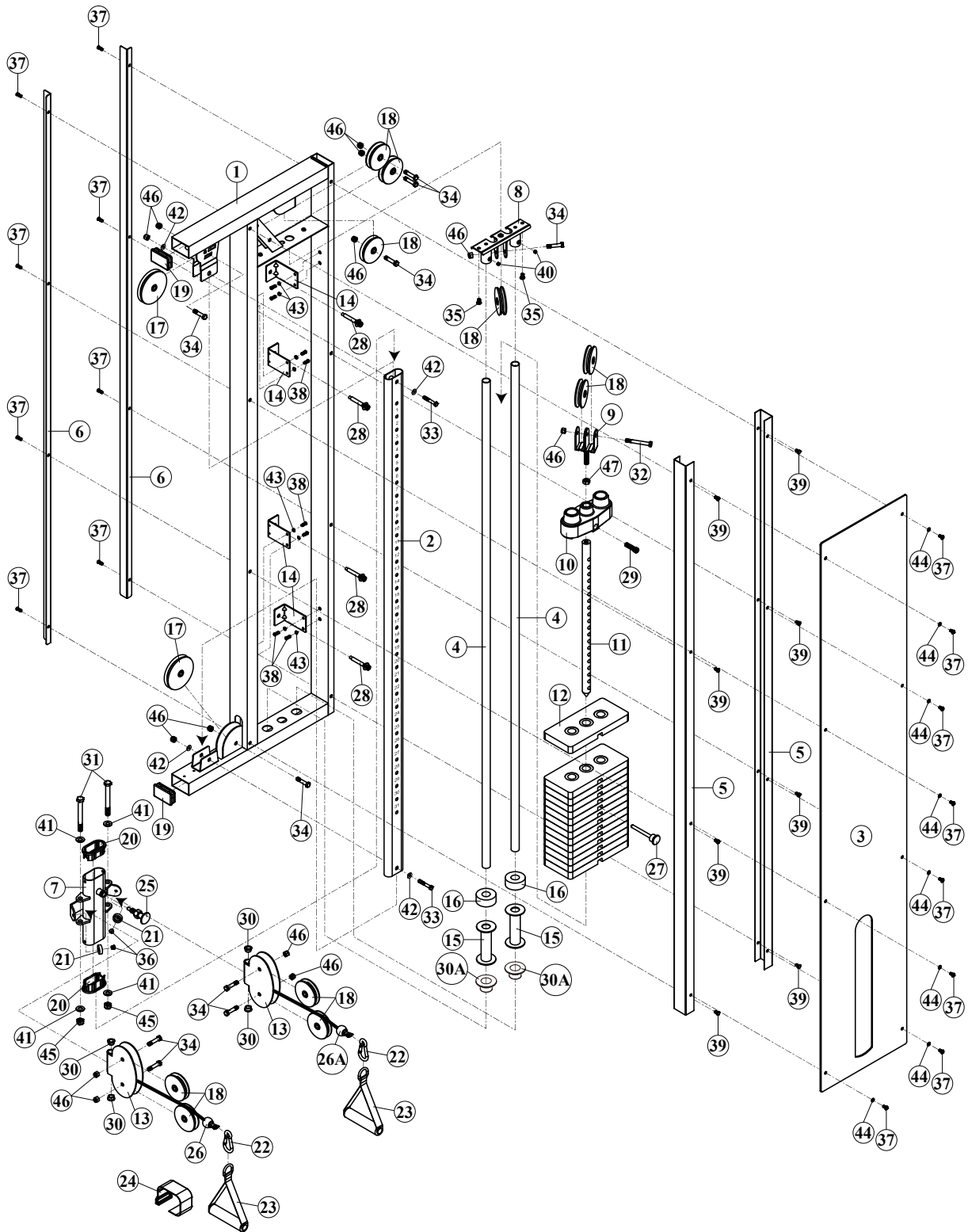
Article Number:

7.2 Parts List

No.	Name	Qty.
1901-1	MAIN FRAME	1pcs
1901-2	UPRIGHT FRAME	1pcs
1901-3	PANEL	1pcs
1901-4	GUIDE ROD	2pcs
1901-5	FRONT COVER	2pcs
1901-6	REAR COVER	2pcs
1901-7	CABLE HEIGHT ADJUSTER	1pcs
1901-8	GUIDE ROD RETAINER	1pcs
1901-9	DOUBLE PULLEY BLOCK	1pcs
1901-10	TOP PLATE	1pcs
1901-11	SELECTOR ROD	1pcs
1901-12	WEIGHT PLATE	19pcs
1901-13	SWIVEL PULLEY HOUSING	2pcs
1901-14	L-SHAPED BRACKET	4pcs
1901-15	STACK SPACER	2pcs
1901-16	RUBBER DOUNT	2pcs
1901-17	114mm PULLEY	2pcs
1901-18	90mm PULLEY	10pcs
1901-19	45 X 75mm END CAP	2pcs
1901-20	PLASTIC BUSHING	2pcs
1901-21	STOPPER	2pcs
1901-22	SNAP HOOK	2pcs
1901-23	SINGLE HANDLE	2pcs
1901-24	ANKLE STRAP	1pcs
1901-25	POP PIN	1pcs
1901-26	CABLE	1pcs
1901-26A	HEAD OF CABLE	1pcs
1901-27	SELECTOR PIN	1pcs
1901-28	5/16" X 2-1/2" BOLT SET	4pcs
1901-29	TOP PLATE BOLT	1pcs
1901-30	BUSHING	4pcs

1901-30A	PLASTIC GUIDE ROD HOLDER	2pcs
1901-31	1/2" X 4 1/4" HEX BOLT	2pcs
1901-32	3/8" X 3" HEX BOLT	1pcs
1901-33	3/8" X 2" HEX BOLT	2pcs
1901-34	3/8" X 1-3/4" HEX BOLT	10pcs
1901-35	5/16" X 5/8" INNER HEX SCREW	2pcs
1901-36	5/16" X 1/2" SUNKEN HEAD BOLT	2pcs
1901-37	M6 X 15mm INNER HEX SCREW	16pcs
1901-38	M6 X 10mm HEXAGON ALLOY STEEL SCREW	8pcs
1901-39	M6 X 12mm HEX BOLT	8pcs
1901-40	5/16" X 1/4" SET SCREW	2pcs
1901-41	1/2" WASHER	4pcs
1901-42	3/8" WASHER	4pcs
1901-43	M6 SPRING WASHER	8pcs
1901-44	M6 RUBBER GASKET	8pcs
1901-45	1/2" NYLON NUT	2pcs
1901-46	3/8" NYLON NUT	13pcs
1901-47	1/2" NUT	1pcs
1901-48	5mm HEX KEY	1pcs
1901-49	4mm HEX KEY	1pcs

7.3 Exploded Drawing



Training equipment from Taurus® is subject to strict quality control. However, if a fitness equipment purchased from us does not work perfectly, we take it very seriously and ask you to contact our customer service as indicated. We are happy to help you by phone via our service hotline.

Error Descriptions

Your fitness equipment is developed for long-term, high-quality training. However, should a problem arise, please first read the operating instructions. For further assistance, please contact your contract partner or call our service hotline. To ensure your problem is solved as quickly as possible, please describe the defect as exactly as possible.

In addition to the statutory warranty, we provide a warranty for every fitness equipment purchased from us according to the following provisions.

Your statutory rights are not affected.

Warranty

The warranty is the first/original buyer and/or any person who received a newly purchased product as a gift from the original buyer.

Warranty period

The warranty periods, shown on our web shop, begin on delivery of the fitness equipment. The respective warranty periods for your equipment can be found on its product website.

Repair Costs

According to our choice, there will either be a repair, a replacement of individual damaged parts or a complete replacement. Spare parts, that have to be mounted while assembling the equipment, have to be replaced by the warranty personally and are not a part of repair. After the expiration of the warranty period for repair costs, a pure parts warranty applies, which does not include the repair, installation and delivery costs.

The terms of use are defined as follows:

- + Home use: solely for private use in private households up to 3 hours per day
- + Semi-professional use: up to 6 hours per day (e. g. rehabilitation centres, hotels, clubs, company gyms)
- + Professional use: more than 6 hours per day (e. g. commercial gyms)

Warranty Service

Within the warranty period, equipment which develops faults as a result of material or manufacturing defects, will be repaired or replaced at our discretion. Ownership of equipment or parts of equipment which have been replaced is transferred to us. The warranty period is not extended nor does a new warranty period begin following repair or replacement under the warranty.

Warranty Conditions

For the warranty to be valid, the following steps must be taken:

Please contact our customer service by email or phone. If the product under warranty has to be sent in for repair, the seller bears costs. After expiry of the warranty, the buyer bears the costs of transport and insurance. If the fault is covered by our warranty, you will receive a new or repaired equipment in return.

Warranty claims are invalid in case of damage resulting from:

- + misuse or improper handling
- + environmental influences (moisture, heat, electrical surge, dust, etc.)
- + failure to follow the current safety measures for the equipment
- + failure to follow the operating instructions
- + use of force (e. g. hitting, kicking, falling)
- + interventions which were not carried out by one of our authorized service centres
- + unauthorised repair attempts

Proof of Purchase and Serial Number

Please make sure that you are able to provide the appropriate receipt when claiming on your warranty. So that we can clearly identify the model of your equipment, and for the purposes of our quality control, you will need to give the serial number of your equipment, when contacting the service team. Where possible please have your serial number and your customer number ready when you call our service hotline. It will help us to deal with your request swiftly.

If you cannot find the serial number on your fitness equipment, our service team is at your disposal to offer further information.




















Service outside of the Warranty Period
















We are also happy to issue an individual cost estimate if there is a problem with your fitness equipment after the warranty has expired, or in cases which do not fall under the terms of the warranty, e. g. normal wear and tear. Please contact our customer service team to find a quick and cost-effective solution to your problem. In such a case you will be responsible for the delivery costs.

Communication

Many problems can be solved just by speaking to us as your specialist supplier. We know how important it is to you as a user of the fitness equipment to have problems solved quickly and simply, so you can enjoy working out with minimal interruption. For that reason, we also want to resolve your queries quickly and in a straightforward manner. Thus, please always keep your customer number and the serial number of the faulty equipment handy.

9 CONTACT

DE	DK	FR
<p>TECHNIK</p> <p> +49 4621 4210-900</p> <p> +49 4621 4210-698</p> <p> technik@sport-tiedje.de</p> <p> Öffnungszeiten entnehmen Sie unserer Homepage.</p> <p>SERVICE</p> <p> 0800 20 20277 (kostenlos)</p> <p> info@sport-tiedje.de</p> <p> Öffnungszeiten entnehmen Sie unserer Homepage.</p>	<p>TEKNIK OG SERVICE</p> <p> 80 90 16 50</p> <p>+49 4621 4210-945</p> <p> info@fitshop.dk</p> <p> Åbningstider kan findes på hjemmesiden.</p>	<p>TECHNIQUE & SERVICE</p> <p> +33 (0) 189 53 09 84</p> <p>+49 4621 4210-933</p> <p> info@fitshop.fr</p> <p> Vous trouverez les heures d'ouverture sur notre site Internet.</p>
	PL	BE
	<p>TECHNIKA I SERWIS</p> <p> 22 307 43 21</p> <p>+49 4621 42 10-948</p> <p> info@fitshop.pl</p> <p> Godziny otwarcia można znaleźć na stronie głównej.</p>	<p>TECHNIQUE & SERVICE</p> <p> 02 732 46 77</p> <p>+49 4621 42 10-932</p> <p> info@fitshop.be</p> <p> Vous trouverez les heures d'ouverture sur notre site Internet.</p>

UK	NL	INT
<p>CUSTOMER CARE</p> <p> +44 141 737 2249 or +44 141 876 3972</p> <p> customercare@powerhouse-fitness.co.uk</p> <p> You can find the opening hours on our homepage.</p>	<p>TECHNISCHE DIENST & SERVICE</p> <p> +31 172 619961</p> <p> info@fitshop.nl</p> <p> De openingstijden vindt u op onze homepage.</p>	<p>TECHNICAL SUPPORT & SERVICE</p> <p> +49 4621 4210-944</p> <p> service-int@sport-tiedje.de</p> <p> You can find the opening hours on our homepage.</p>
	AT	CH
	<p>TECHNIK & SERVICE</p> <p> 0800 20 20277 (Freecall)</p> <p>+49 4621 42 10-0</p> <p> info@sport-tiedje.at</p> <p> Öffnungszeiten entnehmen Sie unserer Homepage.</p>	<p>TECHNIK & SERVICE</p> <p> 0800 202 027</p> <p>+49 4621 42 10-0</p> <p> info@sport-tiedje.ch</p> <p> Öffnungszeiten entnehmen Sie unserer Homepage.</p>

Please find a detailed overview including address and opening hours for all stores of the Sport-Tiedje Group in Germany and abroad on the following website:

www.sport-tiedje.com/en/stores

WE LIVE FITNESS

WEBSHOP AND SOCIAL MEDIA

Sport-Tiedje is Europe's largest specialist store for home fitness equipment with currently over 70 stores and one of the world's most renowned online mail order companies for fitness equipment. Private customers order via the 25 web shops in the respective national language or have their desired equipment assembled on site. In addition, the company supplies fitness studios, hotels, sports clubs, companies and physio practices with professional equipment for endurance and strength training.

Sport-Tiedje offers a wide range of fitness equipment from renowned manufacturers, high-quality in-house developments and comprehensive services, such as a build-up service and sports scientific advice before and after the purchase. The company employs numerous sports scientists, fitness trainers and competitive athletes.

Visit us also on our social media platforms or our blog!



www.sport-tiedje.co.uk
www.sport-tiedje.de/blog



www.facebook.com/SportTiedje



www.instagram.com/sporttiedje



www.youtube.com/user/sporttiedje

TAURUS

 cardiostrong

BODYCRAFT

 cardiojump

 **DUKEFITNESS**

DARWIN

Notes

Notes



TAURUS[®]

Taurus Single Pulley Design Line