

TAURUS®

Operating Instructions



SKU: CVTM2515

FSUKCVTM5215.01.01

GENERAL SAFETY INSTRUCTIONS

Personal Safety

⚠ DANGER

- + Before you start using the equipment, you should consult your physician that this type of exercise is suitable for you from a health perspective.
- + Note that excessive training can seriously endanger your health. If you notice any signs of weakness, nausea, dizziness, pain, shortness of breath, or other abnormal symptoms, stop exercising immediately and seek advice from your doctor if necessary.

⚠ WARNING

- + This equipment may not be used by children under 14 years.
- + Children should not be allowed unsupervised access to the equipment
- + Persons with disabilities must have a medical license and must be under strict observation when using the equipment.
- + The equipment is strictly for use by one person at a time.

⚠ CAUTION

- + Make sure that nobody is within the range of motion of the equipment during training so as not to endanger you or other persons.

▶ ATTENTION

- + Do not insert any objects of any kind into the openings of the device.

Set-Up Place

⚠ WARNING

- + Do not place the equipment in main corridors or escape routes.
- + To prevent fire, do not place the device near or in areas with high heat (e.g. near a heater).

⚠ CAUTION

- + Choose the set-up place so that there is sufficient space around the product.

▶ ATTENTION

- + The device may only be used in one building, in sufficiently tempered and dry rooms (ambient temperatures between 10°C and 35°C). The equipment should not be used outdoors or in rooms with high humidity (over 70%) like swimming pools.

These handrails are an optional accessory for the Taurus treadmills T9.9, T9.9 Black Edition, T9.9 Touch, T10.3 Pro und T10.3 HD Pro.

All instructions regarding the proper use, safety instructions, technical data and service instructions you will find in the manuals of the treadmills.

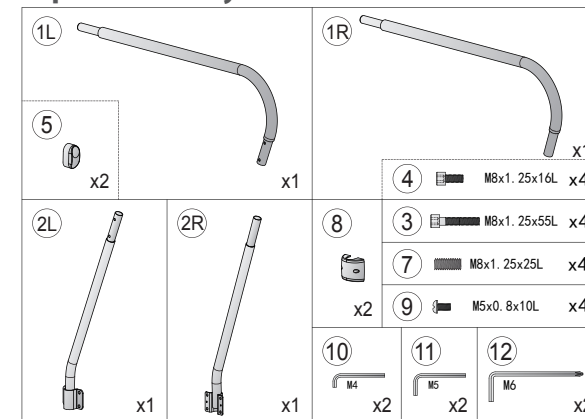
Technical data

Article weight (gross, incl. packaging):	7.275 kg
Article weight (net, without packaging):	6.285 kg
Packaging dimensions (L x W x H) approx.:	103 cm x 36 cm x 6 cm

Parts List

No.	Name	Qty.
1L	Left Extended Handrail	1
1R	Right Extended Handrail	1
2L	Left Handrail Support Tube	1
2R	Right Handrail Support Tube	1
3	Inner Hex Screw	4
4	Inner Hex Screw	4
5	Oval End Cap of Handlebar (with Hole)	2
6	Foam	2
7	Flat End Fastening Hex Screw	4
8	Lower Protective Cover	2
9	Roundhead Cross Screw	4
10	Inner Hex Spanner (M4)	1
11	Inner Hex Spanner (M5)	1
12	Inner Hex Cross Spanner (M6)	1

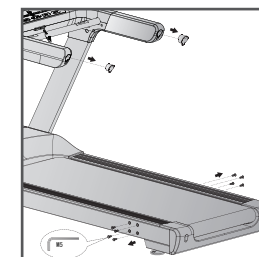
Scope of Delivery



Assembly

Step 1

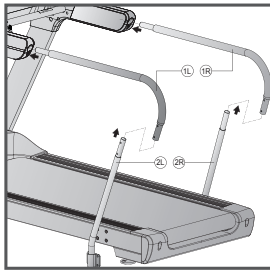
Remove the end caps of the handrails and loosen the eight screws on the main frame.



TF-EXT-HR

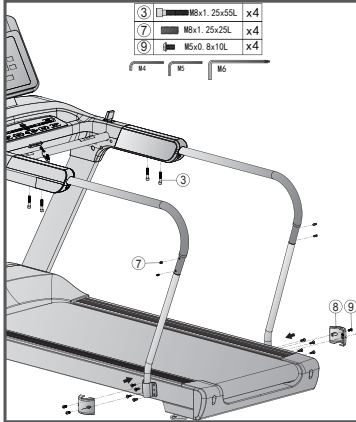
Step 2

1. Insert the extended handrails (1L and 1R) into the respective housings.
2. Connect the extended handrails (1L and 1R) with their respective counterparts (2L and 2R).

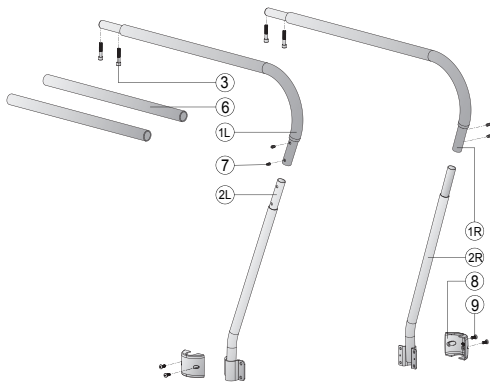


Step 3

1. Fix the extended handrails (1L and 1R) to the ends of the treadmill's handrails with four screws (3).
2. Screw the extended handrails (1L and 1R) and their respective counterparts (2L and 2R) together with four screws (7).
3. Fix the external handrails (2L and 2R) to the main frame with the four screws that you have removed previously in step 1.
4. Attach the two covers (8) with four screws (9).



Exploded Drawing



Warranty Information

Training equipment from TAURUS® is subject to strict quality control. However, if a fitness equipment purchased from us does not work perfectly, we take it very seriously and ask you to contact our customer service as indicated. We are happy to help you by phone via our service hotline.

Warranty period

The warranty periods, shown on our web shop, begin on delivery of the fitness equipment. The respective warranty periods for your equipment can be found on its product website.

Please refer to the website of your TAURUS® device for the exact warranty conditions.

Care, Maintenance and Storage

⚠ WARNING

The storage location should be chosen so that improper use by third parties or children is prevented.

1. Clean the device with a dry soft cloth.
2. Store the device in the supplied carton in a dry environment.

Disposal

At the end of its operational life, this equipment cannot be disposed of in normal household waste. Instead, it must be disposed of via a recycling centre. Further information can be obtained from your local authority's recycling service.

Contact

DE TECHNIK

+49 4621 4210-900
technik@fitshop.de

SERVICE

0800 20 20277 (kostenlos)
info@fitshop.de

UK

CUSTOMER CARE

+44 141 737 2249 or
+44 141 876 3972
customercare@fitshop.co.uk

FR

TECHNIQUE & SERVICE

+33 (0) 189 530984
+49 4621 42 10 933
info@fitshop.fr

DK

TEKNIK OG SERVICE

80 90 16 50
+49 4621 4210-945
info@fitshop.dk

ES

TECNOLOGÍA Y SERVICIOS

911 238 029
info@fitshop.es

BE

TECHNIQUE & SERVICE

02 732 46 77
+49 4621 4210 933
info@fitshop.be

NL

TECHNISCHE DIENST & SERVICE

+31 172 619961
service@fitshop.nl

AT

TECHNIK & SERVICE

0800 20 20277 (kostenlos)
+49 4621 42 10-0
info@fitshop.at

CH

TECHNIK & SERVICE

0800 202 027
+49 4621 42 10-0
info@fitshop.ch

PL

DZIAŁ TECHNICZNY I SERWIS

22 307 43 21
+49 4621 42 10-948
info@fitshop.pl

INT

TECHNICAL SUPPORT & SERVICE

+49 4621 4210-944
service-int@fitshop.de