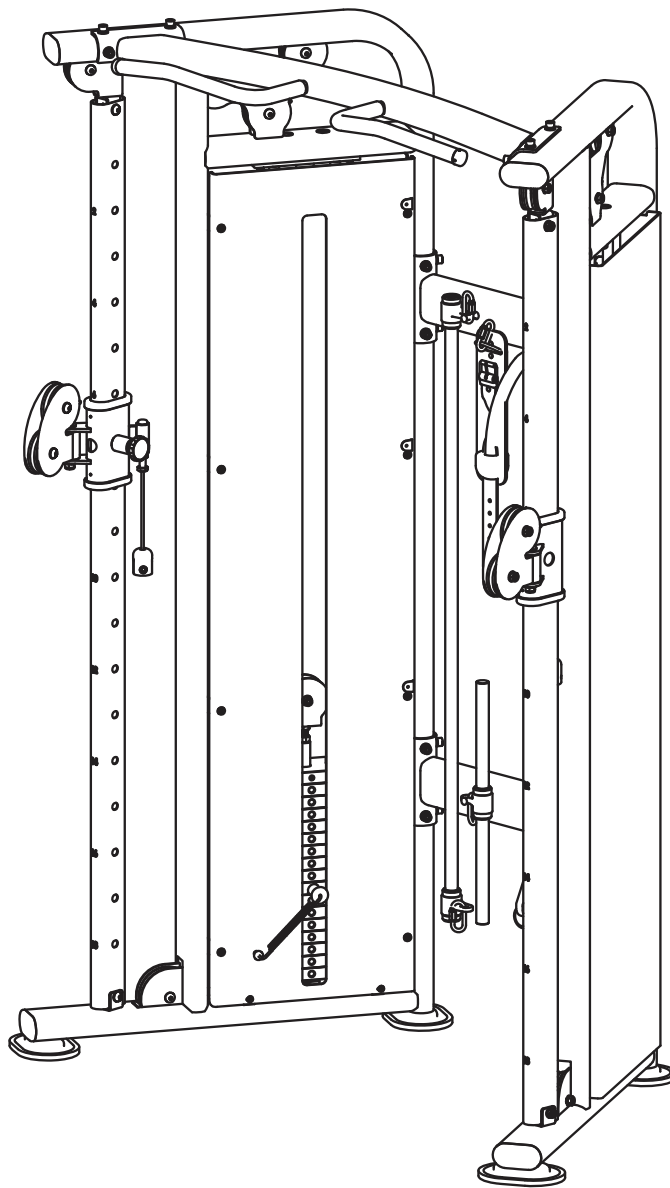


TAURUS®

Assembly and Operating Instructions



max. 180 kg



~ 180 Min. 



 299 kg

L 84 | W 152 | H 212

SEBR7017.01.03

SKU: SEBR7017

Taurus Elite Dual Adjustable Pulley

Content

| | | |
|----------|--|-----------|
| 1 | GENERAL INFORMATION | 7 |
| 1.1 | Technical Data | 7 |
| 1.2 | Personal Safety | 8 |
| 1.3 | Set-Up Place | 9 |
| 2 | ASSEMBLY | 10 |
| 2.1 | General Instructions | 10 |
| 2.2 | Scope of Delivery | 10 |
| 2.3 | Assembly | 12 |
| 3 | STORAGE AND TRANSPORT | 17 |
| 3.1 | General Instructions | 17 |
| 4 | TROUBLESHOOTING, CARE AND MAINTENANCE | 18 |
| 4.1 | General Instructions | 18 |
| 4.2 | Faults and Fault Diagnosis | 18 |
| 4.3 | Maintenance and Inspection Calendar | 19 |
| 5 | DISPOSAL | 19 |
| 6 | RECOMMENDED ACCESSORIES | 20 |
| 7 | ORDERING SPARE PARTS | 21 |
| 7.1 | Serial Number and Model Name | 21 |
| 7.2 | Parts List | 22 |
| 7.3 | Exploded Drawing | 25 |
| 8 | WARRANTY | 26 |
| 9 | CONTACT | 28 |

Dear customer,

Thank you for choosing a high-quality equipment of the brand Taurus®. Taurus® offers sports and fitness equipment for the sophisticated home sport and the equipment of fitness studios and business customers. With Taurus® fitness equipment, the focus is on what sport is all about: maximum performance! Therefore, the equipment is developed in close consultation with athletes and sports scientists. Because athletes know best what makes perfect fitness equipment.

Further information can be found at www.sport-tiedje.com.

Intended Use

The equipment may only be used for its intended purpose.

This fitness equipment is suitable for home use, semi-professional use and commercial or professional use. The semi-professional sector includes, for example, institutional facilities such as hospitals, schools, hotels and associations. Professional use refers to commercial use, e.g. in a gym.

Disclaimer



©2011 Taurus® is a registered brand of the company Sport-Tiedje GmbH. All rights reserved. Any use of this trademark without the explicit written permission of Sport-Tiedje is prohibited.

Product and manual are subject to change. Technical data can be changed without advance notice.

ABOUT THIS MANUAL

Please carefully read the entire manual before installation and first use. The manual will help you to quickly set up the system and explains how to safely use it. Make sure that all persons exercising with the equipment (especially children and persons with physical, sensory, mental or motor disabilities) are informed about this manual and its contents in advance. In case of doubt, responsible persons must supervise the use of the equipment.



This equipment has been manufactured according to the latest safety knowledge. As far as possible, potential safety hazards which could cause injury have been eliminated. Make sure to carefully follow the instructions and that all parts are securely in place. If required, read through the instructions again to correct any mistakes.

Please pay close attention to the safety and maintenance instructions given here. The contract partner cannot be held liable for damage to health, accidents or damage to the equipment when it is not used in accordance with these instructions.

The following safety instructions may appear in this manual:

► **ATTENTION**

This notice indicates potentially hazardous situations which, if not avoided, may result in property damage.

⚠ **CAUTION**

This notice indicates potentially hazardous situations which, if not avoided, may result in slight or minor injuries!

⚠ **WARNING**

This notice indicates potentially hazardous situations which, if not avoided, may result in death or serious injuries!

⚠ **DANGER**

This notice indicates potentially hazardous situations which, if not avoided, will result in death or serious injuries!

ⓘ **NOTICE**

This notice indicates further useful information.

Retain these instructions in a safe place for future reference, maintenance or when ordering replacement parts.

1.1 Technical Data

Weight and dimensions:

Packaging dimensions (L x W x H) and weight approx:

| | | |
|-------|---------------------------|------------------|
| No.1: | 216 cm x 56.5 cm x 105 cm | 193 kg / 425 lbs |
| No.2: | 50 cm x 47 cm x 41.5 cm | 184 kg / 405 lbs |

| | |
|--|------------------|
| Article weight (net, without packaging and weight stack): | 299 kg / 659 lbs |
|--|------------------|

| | |
|--|-------------------------|
| Set-up dimensions (L x W x H) approx.: | 84 cm x 152 cm x 212 cm |
|--|-------------------------|

| | |
|----------------------|------------------|
| Maximum user weight: | 180 kg / 396 lbs |
|----------------------|------------------|

Cables and pulleys:

| | |
|---------------------|----------------|
| Quantity of cables: | 2 |
| Cable length: | 728 cm |
| Material: | Steel |
| Coating: | Nylon |
| Diameter pulleys: | 89 mm ; 114 mm |
| Transmission ratio: | 2:1 |

Weight stack:

| | |
|----------------------------------|------------------|
| Quantity: | 2 |
| Total weight: | 180 kg / 396 lbs |
| Quantity of weight plates: | 38 + 2 |
| Weight of a single weight plate: | 4.5 kg / 10 lbs |

1.2 Personal Safety

DANGER

- + Before you start using the equipment, you should consult your physician that this type of exercise is suitable for you from a health perspective. Particularly affected are persons who: have a hereditary disposition to high blood pressure or heart disease, are over the age of 45, smoke, have high cholesterol values, are overweight and/or have not exercised regularly in the past year. If you are under medical treatment that affects your heart rate, medical advice is absolutely essential.
- + Note that excessive training can seriously endanger your health. Please also note that heart rate monitoring systems can be inaccurate. If you notice any signs of weakness, nausea, dizziness, pain, shortness of breath, or other abnormal symptoms, stop exercising immediately and seek advice from your doctor if necessary.

WARNING

- + This equipment may not be used by children under the age of 14.
- + Children should not be allowed unsupervised access to the equipment.
- + Persons with disabilities must have a medical license and must be under strict observation when using the equipment.
- + The equipment is strictly for use by one person at a time.
- + If your equipment provides a safety key, the clip of the safety key must be attached to your clothing before starting your training. In the event of a fall, the EMERGENCY STOP of the equipment can be initiated.
- + Keep your hands, feet and other body parts, hair, clothing, jewellery and other objects well clear of moving parts.
- + During use, wear suitable sports clothing rather than loose or baggy clothing. When wearing sports shoes, make sure they have suitable soles, preferably made of rubber or other non-slip materials. Shoes with heels, leather soles, studs or spikes are unsuitable. Never exercise barefoot.

CAUTION

- + If your equipment needs to be connected to the power supply with a mains cable, make sure that the cable is not a potential tripping hazard.
- + Make sure that nobody is within the range of motion of the equipment during training so as not to endanger you or other persons.

ATTENTION

- + Do not insert any objects of any kind into the openings of the device.

1.3 Set-Up Place



WARNING

- + Do not place the equipment in main corridors or escape routes.



CAUTION

- + Choose a location in which to place the equipment such that there is enough free space/clearance to the front, the rear and to the sides of the equipment.
- + The training room should be well ventilated during training and not be exposed to any draughts.
- + Choose the place in which to set up the equipment such that there is enough free space/clearance to the front, the rear and to the sides of the equipment.
- + The set-up and mounting surface of the equipment should be flat, loadable and solid.



ATTENTION

- + The device may only be used in one building, in sufficiently tempered and dry rooms (ambient temperatures between 10°C and 35°C). The equipment should not be used outdoors or in rooms with high humidity (over 70%) like swimming pools.
- + A floor protective mat/equipment underlay can help to protect high-quality floor coverings (parquet, laminate, cork, carpets) from dents and sweat and can help to level out slight unevenness.

2.1 General Instructions



DANGER

- + Do not leave any tools, packaging materials such as foils or small parts lying around, as otherwise there is a danger of suffocation for children. Keep children away from the equipment during assembly.



WARNING

- + Pay attention to the instructions attached to the equipment in order to reduce the risk of injuries.



CAUTION

- + Ensure to have sufficient room for movement in each direction during assembly.
- + The assembly of the equipment must be carried out by at least two adults. If in doubt, seek the help of a third technically skilled person.



ATTENTION

- + To prevent damage to the equipment and the floor, assemble the equipment on a mat or packaging board.



NOTICE

- + In order to make the assembly as simple as possible, some screws and nuts to be used can already be pre-assembled.
- + Ideally, assemble the equipment at its later set-up place.

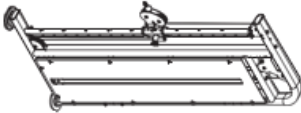
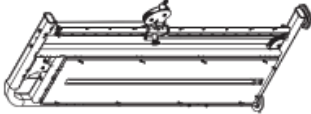





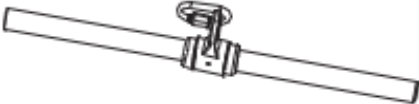



2.2 Scope of Delivery

The scope of delivery consist of the following parts. At the beginning, check whether all parts and tools belonging to the device are included in the scope of delivery and whether damage has occurred. In the event of complaints, the contractual partner must be contacted directly.



CAUTION

- If parts of the scope of delivery are missing or damaged, the assembly must not be carried out.

| Item No. | Name | Description | Qty. |
|----------|---------------------|--|------|
| 1 | Left doorframe |  | 1 |
| 2 | Right doorframe |  | 1 |
| 3 | Upper beam bracket |  | 1 |
| 4 | Joint frame |  | 2 |
| 12 | Long handle support |  | 1 |
| 19 | Pull back rope set |  | 1 |
| 69 | Handle grips |  | 2 |
| 17 | Short handle |  | 1 |
| 18 | Foot strap |  | 1 |
| 37 | Rubber foot |  | 4 |
| | Hardware pack |  | 1 |

2.3 Assembly

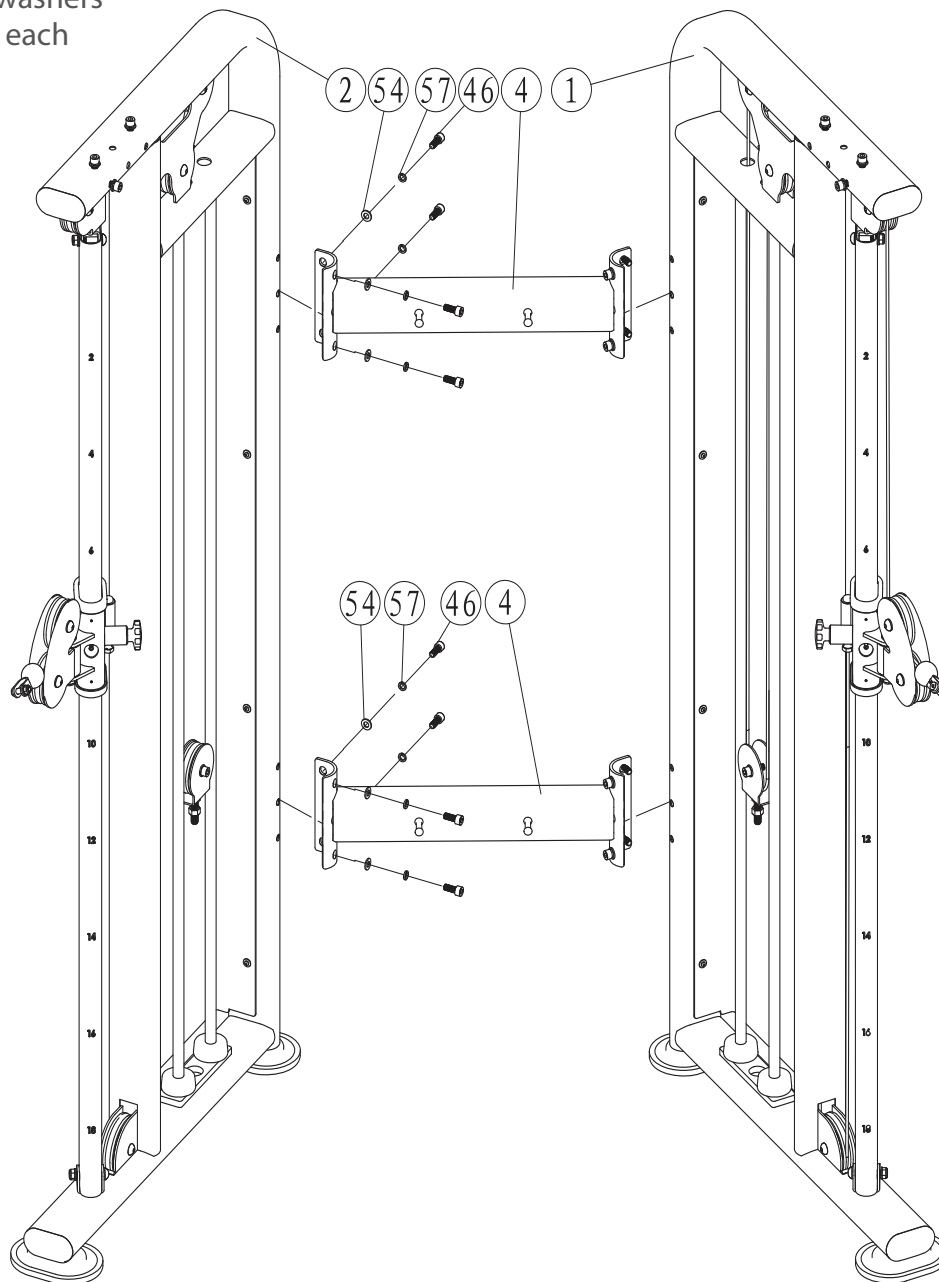
Before assembly, take a close look at the individual assembly steps shown and carry out the assembly in the order given.

i NOTICE

First loosely screw all parts together and check that they fit properly. Tighten the screws using the tool only when you are instructed to do so.

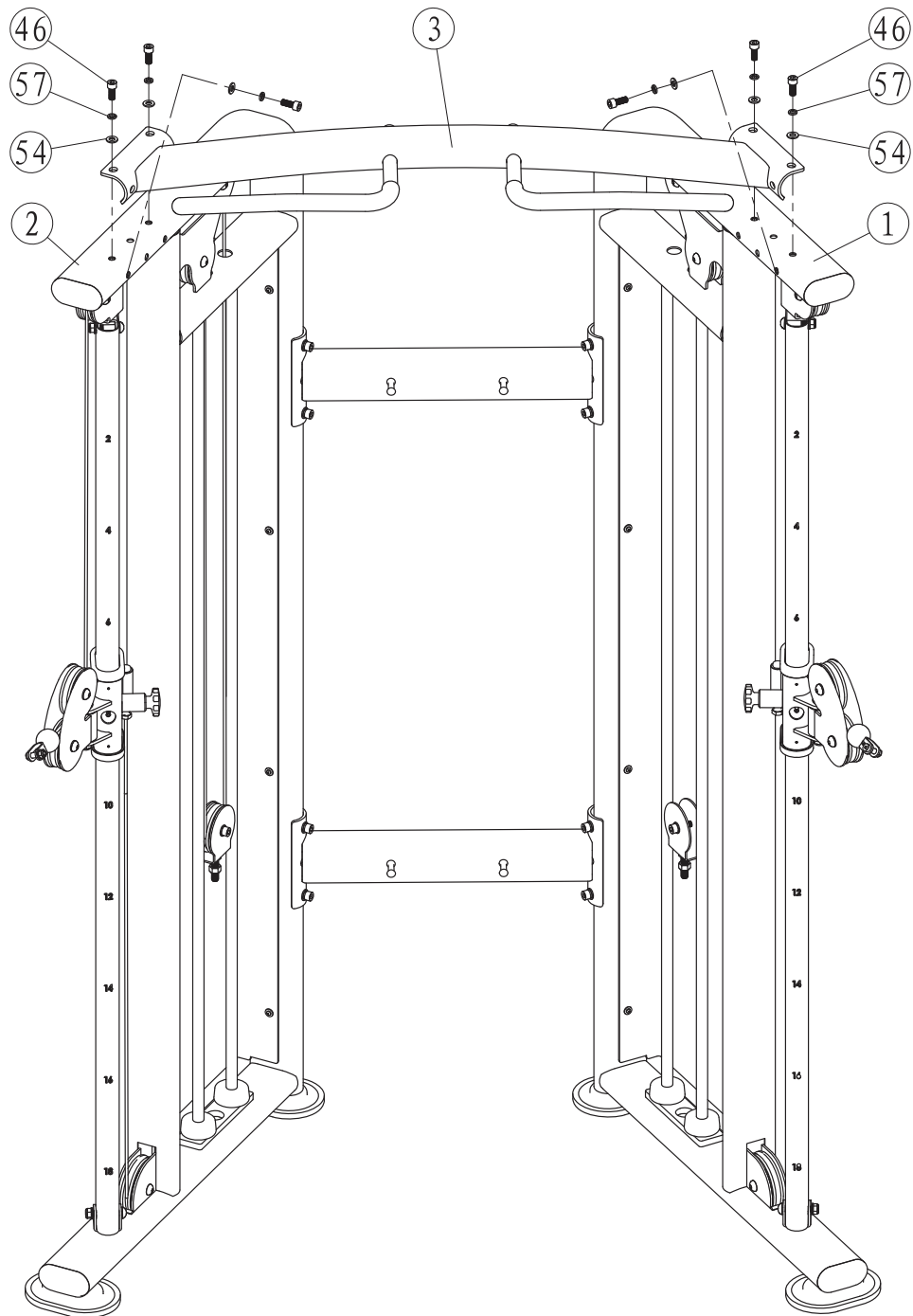
Step 1: Assembly of the Joint Frames

1. Attach the upper joint frame (4) to the left and right doorframes (1&2) by using four screws (46), four spring washers (57) and four plain washers (54) on each side.
2. Attach the lower joint frame (4) to the left and right doorframes (1&2) by using four screws (46), four spring washers (57) and four plain washers (54) on each side.



Step 2: Assembly of Upper Beam Bracket

1. Attach the upper beam bracket (3) to the left and right doorframes (1&2) by using two screws (46), two spring washers (57) and two plain washers (54) on each upper side.
2. Attach the upper beam bracket (3) by using one screw (46), one spring washer (57) and one plain washer (54) on each side.



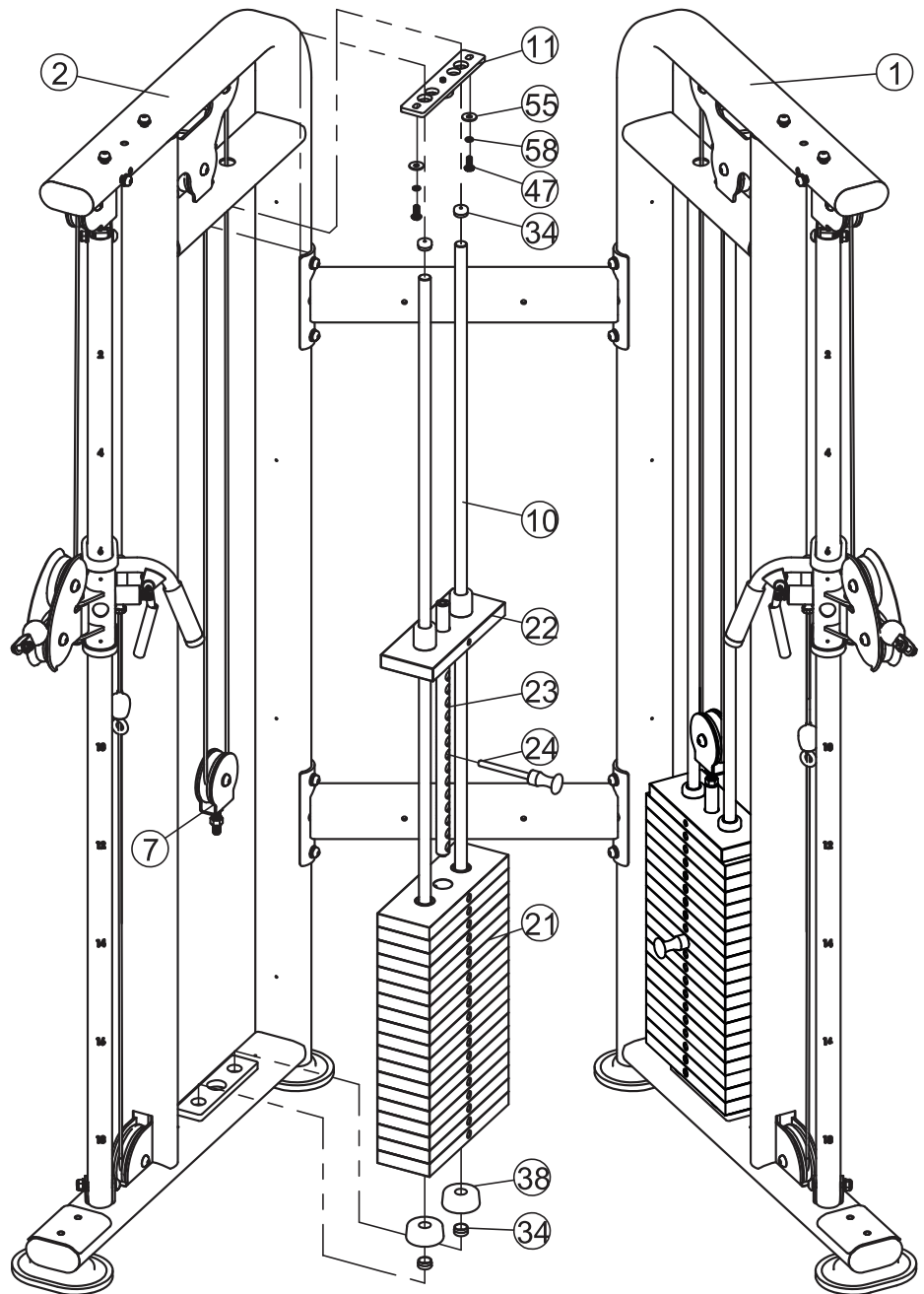
Step 3: Assembly of Weight Stack Plates

1. Place two rod end covers (34) in the bottom of the right doorframe (2).
2. Insert the guide rods (10) into the two rod end covers (34).
3. Slide the two rubber bumpers (38) onto the guide rods (10).

NOTICE

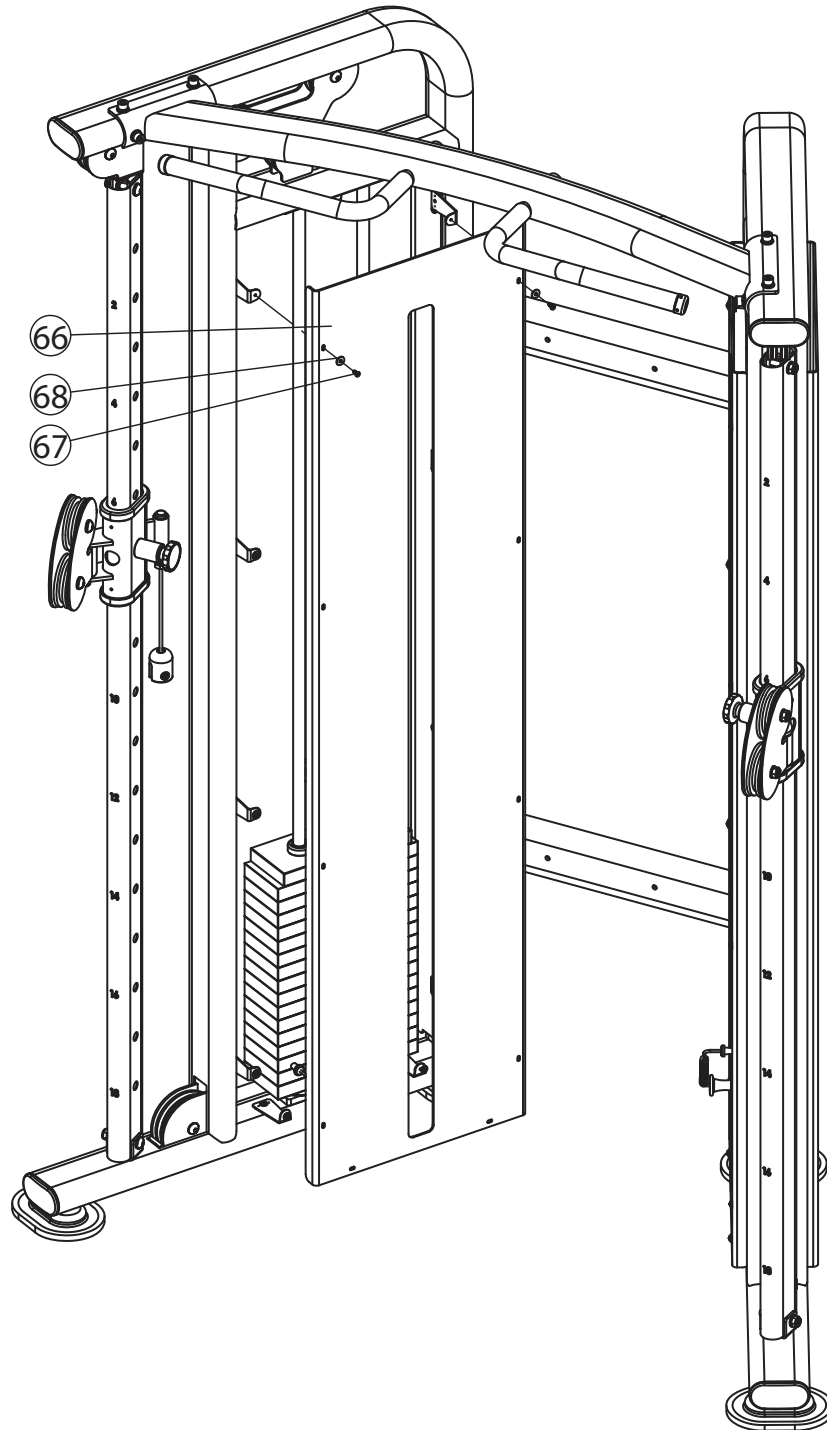
Make sure that the holes in the weight stack plates are facing inwards. Begin with the weight plate with the highest number.

4. Carefully slide 19 weight stack plates (21) over the guide rods (10) one by one.
5. Carefully slide the counterweight (22) with the shaft (23) over the guide rods (10).
6. Attach the parsing davit (7) to the upper thread of the shaft (23).
7. Attach the guide rods (10) along with two rod end covers (34) to the guide rod fixing plate (11).
8. Attach the guide rod fixing plate (11) to the upper side of the right doorframe (2) by using two screws (47), two spring washers (58) and two plain washers (55).
9. Insert the selector pin (24) into any desired hole of the shaft (23).
10. Repeat the steps 1 to 9 for the left doorframe (1).



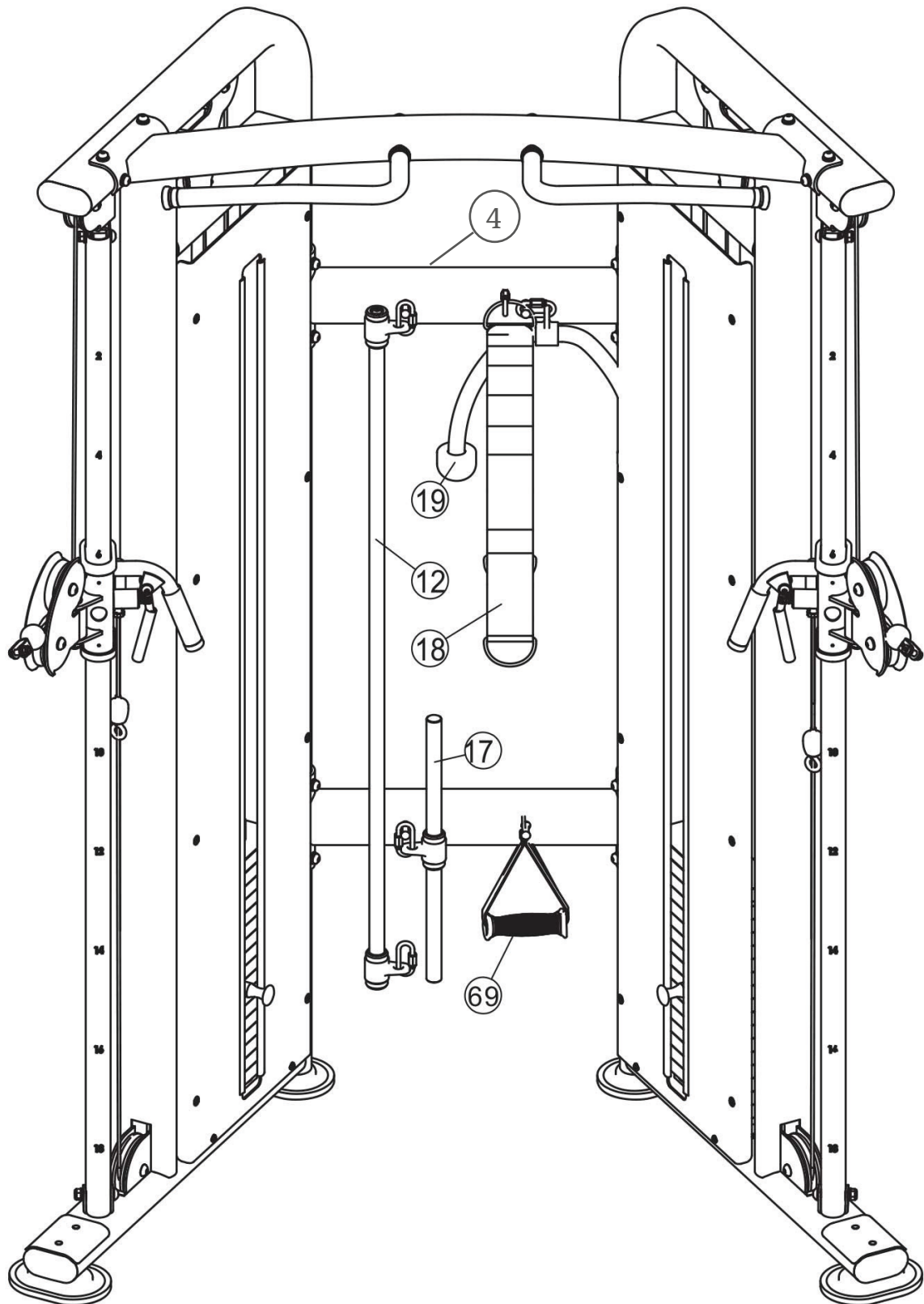
Step 4: Assembly of Front Shields

Assemble both front shields (66) by using ten screws (67) and ten washers (68) on each side.



Step 5: Assembly of Accessories

1. Attach the latpulldown cable (19), foot strap (18) and long handle support (12) to the upper link span (4).
2. Attach the short handle (17) and handle grips (69) to the lower link span (4).



3.1 General Instructions



WARNING

- + The storage location should be chosen so that improper use by third parties or children can be prevented.
- + If your equipment does not have transportation wheels, the equipment must be disassembled before transportation.



ATTENTION

- + Make sure that the equipment is protected from moisture, dust and dirt in the selected storage location. The storage location should be dry and well ventilated and have a constant ambient temperature between 10°C and 35°C.

4.1 General Instructions



WARNING

- + Do not make any improper changes to the equipment.



CAUTION

- + Damaged or worn components may affect your safety and the life of the equipment. Therefore, immediately replace damaged or worn components. In such a case, contact the contract partner. The equipment must not be used until it has been repaired. If necessary, use only original spare parts.

ATTENTION

- + In addition to the instructions and recommendations for maintenance and care given here, additional service and/or repair work may be necessary; this must only be carried out by authorised service technicians.

4.2 Faults and Fault Diagnosis

The equipment undergoes regular quality controls during production. Nevertheless, faults or malfunctions may occur. Frequently, individual parts are responsible for these disturbances, an exchange is usually sufficient. Please refer to the following overview for the most common errors and how to correct them. If the equipment still does not function properly, contact your contract partner.

| Fault | Cause | Solution |
|-----------------------------|---|--|
| Grinding noises | Cables or pulleys do not run smoothly or are damaged | + Visual inspection of the cable routing or the pulley guide + If damaged, replace the defective part |
| Weight hanging in the air | Cable tensioned too tight | Readjust cable tension |
| Cable without tension | Cable too loose | + Check cable routing + Readjust cable tension |
| Squeaking & cracking noises | Screw connections loosened or too tight | + Check or lubricate screw connections* + Check cable routing |
| Unit wobbles | + Uneven ground + Loose screw connections | + Align unit + Tighten screw connections |
| Heavy draught | + Weight holders/guide rods too dry + Faulty cable routing | + Lubricate guide rods* + Check cable routing |

* With a grease-free silicone oil or silicone spray.

4.3 Maintenance and Inspection Calendar

To avoid damage from body sweat, the equipment must be cleaned with a damp towel (no solvents!) after each training session.

The following routine tasks must be performed at the specified intervals:

| Part | Weekly | Monthly | Quarterly |
|--------------------------------|--------|---------|-----------|
| Cables | C | I | |
| Screw connections | | I | |
| Pulleys and cable routing | | I | |
| Slide rails/Guide rods | | I | |
| Weights | | | I |
| Legend: C = clean; I = inspect | | | |

5 DISPOSAL

At the end of its operational life, this equipment cannot be disposed of in normal household waste. Instead, it must be disposed of via an recycling centre. Further information can be obtained from your local authority's recycling service.



The materials can be recycled as per their symbols. Through the reuse, recycling of materials or other forms of recovery of old equipment, you make an important contribution to the protection of the environment.

6 RECOMMENDED ACCESSORIES

To make your training experience even more efficient and pleasant, we recommend that you add suiting accessories to your fitness equipment. For training equipment like smith machines, weight benches or racks this could for example be a **floor mat**, which makes your fitness equipment stand more securely and also protects the floor from sweat but it could be also **additional weights, handles, foot straps** for leg exercises or **triceps ropes**. For some smith machines, there are also optional add-ons such as **leg presses** that make your workout even more intense and comprehensive.

Our range of accessories offers the highest quality and makes training even better. If you would like to find out more about compatible accessories, please go to the detail page of the product in our webshop (the easiest way is to enter the article number in the search field above) and go to the recommended accessories on this page. Alternatively, you can scan the QR code provided. Of course, you can also contact our customer service: by telephone, e-mail, in one of our branches or via our social media channels. We will be happy to advise you!



floor mat



chest strap



tricep and curl bar



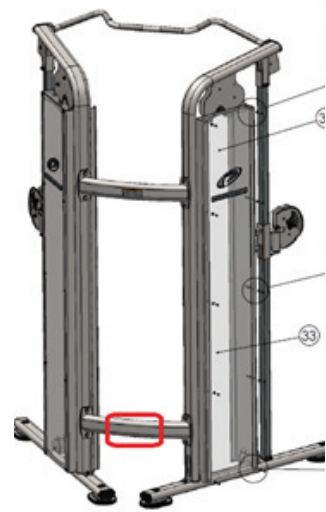
triceps rope

7.1 Serial Number and Model Name

In order to provide you with the best possible service, please have the model name, article number, serial number, exploded drawing and parts list ready. The corresponding contact options can be found in chapter 9 of this operating manual.

NOTICE

The serial number of your equipment is unique. It's located on a white sticker. The exact position of this sticker is shown in the following illustration.



Enter the serial number in the appropriate field.

Serial number:

Brand / Category:

Model Name:

SKU:

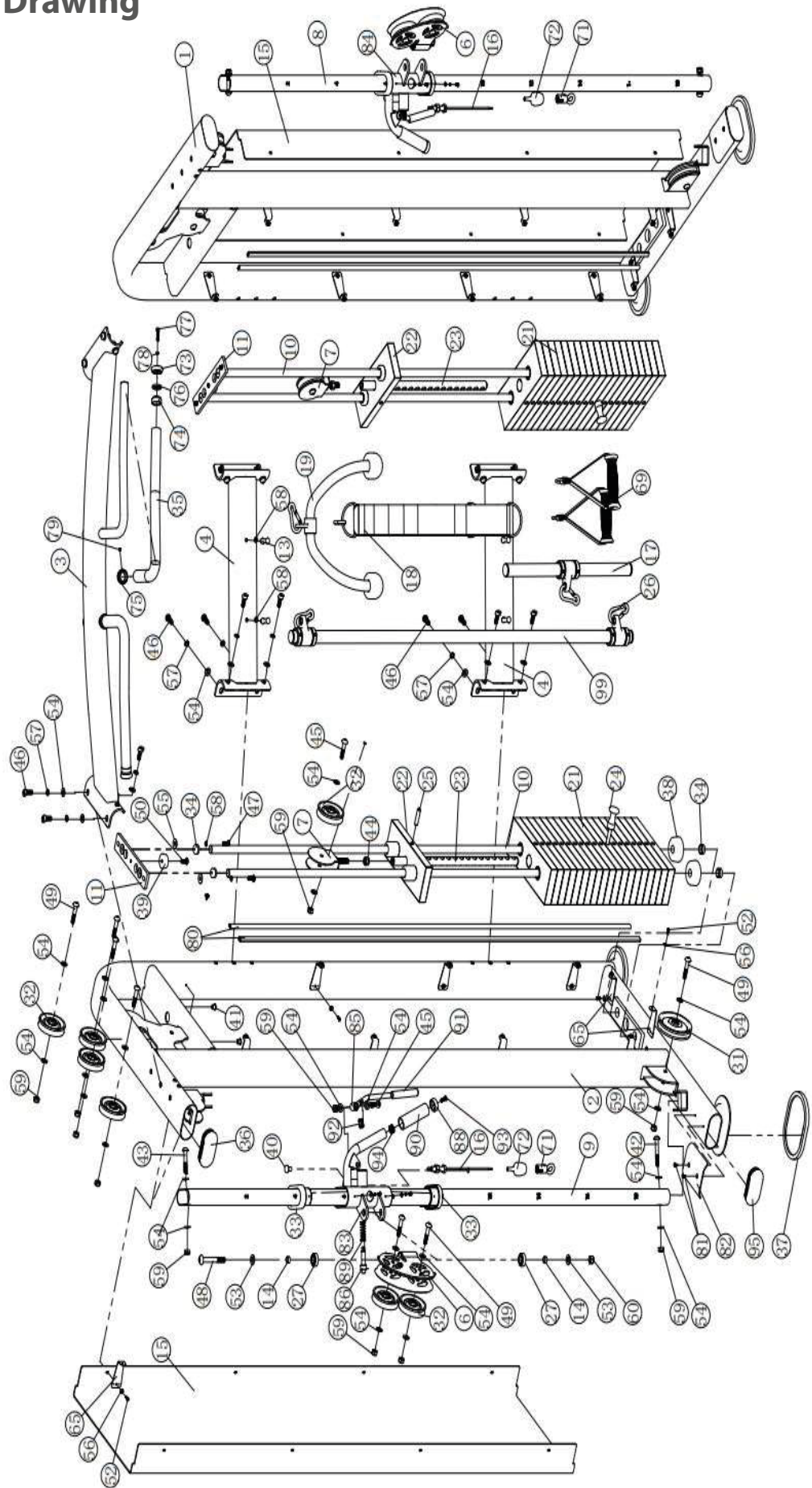
7.2 Parts List

| No. | Name | Specification | Qty. |
|-----|-------------------------|----------------|------|
| 1 | Left doorframe | | 1 |
| 2 | Right doorframe | | 1 |
| 3 | Upper beam bracket | | 1 |
| 4 | Joint frame | | 2 |
| 5 | Glide frame | | 2 |
| 6 | Rotary frame | | 2 |
| 7 | Parsing davit | | 2 |
| 8 | Left adjusting pipe | PT40*80*2*1875 | 1 |
| 9 | Right adjusting pipe | PT40*80*2*1875 | 1 |
| 10 | Guide rod | Φ20*1726 | 4 |
| 11 | Guide rod fixing plate | 220*45*8 | 2 |
| 12 | Long handle support | | 1 |
| 13 | Mounting pole | 46*Φ10*M8 | 4 |
| 14 | Ringer | Φ16*Φ12*7 | 4 |
| 15 | Shield | 1725*420*85 | 2 |
| 16 | Cable set | 4.8mm*7280mm | 2 |
| 17 | Short handle | | 1 |
| 18 | Foot strap | | 1 |
| 19 | Latpulldown cable | | 1 |
| 21 | 10lb weight stack plate | | 38 |
| 22 | 10lb counterweight | | 2 |
| 23 | 19 holes shaft | Φ22*529 | 2 |
| 24 | Selector pin | Φ10*100 | 2 |
| 25 | Spring pin | Φ10*45 | 2 |
| 26 | C type buckle | Φ7*66 | 5 |
| 27 | Rolling bearing | Φ32*Φ12*10 | 4 |
| 28 | Spring | Φ16*Φ1.4*45 | 2 |
| 29 | Pilot plunger | Φ20*Φ12*80 | 2 |
| 30 | M8 Rotary knob | M8*Φ50 | 2 |
| 31 | Pulley | Φ114*26.7 | 2 |
| 32 | Pulley | Φ89*25 | 14 |

| | | | |
|----|---|----------------|----|
| 33 | Hollow pipe sleeve | T50-100-T40-80 | 4 |
| 34 | Rod end cover | Φ23*12 | 8 |
| 35 | Handle grip | Φ31.5*Φ24*500 | 2 |
| 36 | Elliptical tube stopper | PT50*100*2 | 4 |
| 37 | Rubber foot | 175*125*11 | 4 |
| 38 | Rubber bumper | Φ62*Φ20*26 | 4 |
| 39 | Rubber bumper | Φ38*Φ33*15 | 2 |
| 40 | Plug | Φ12.5*Φ11.2*20 | 2 |
| 41 | Blind nuts | M8 | 4 |
| 42 | Hexagon socket button head screw | M10*65 | 2 |
| 43 | Hexagon socket button head screw | M10*55 | 2 |
| 44 | Hexagon bolt | M12 | 2 |
| 45 | Hexagon socket button head screw | M10*45 | 2 |
| 46 | Hexagon socket button head screw | M10*25 | 24 |
| 47 | Hexagon socket button head screw | M8*25 | 4 |
| 48 | Hexagon socket button head screw | M12*90 | 2 |
| 49 | Hexagon socket button head screw | M10*50 | 14 |
| 50 | Hexagon socket button head screw | M8*20 | 2 |
| 51 | Hexagon socket set screws with cone point | M4*5 | 8 |
| 52 | Cross recessed pan head tapping screw | ST4.2*16 | 20 |
| 53 | Plain washer | Φ24*Φ13*2.5 | 4 |
| 54 | Plain washer | Φ20*Φ10.5*2 | 62 |
| 55 | Plain washer | Φ24*Φ8.4*2 | 4 |
| 56 | Plain washer | Φ15*Φ5.3*1.2 | 20 |
| 57 | Spring washer | M10 | 24 |
| 58 | Spring washer | M8 | 4 |
| 59 | Nylon insert lock nut | M10 | 20 |
| 60 | Nylon insert lock nut | M12 | 2 |
| 61 | Aluminum ring | Φ25*17 | 2 |
| 62 | Hexagon socket set screws with cone point | M4*3 | 4 |
| 63 | Handle grip | | 2 |
| 64 | Endcover | Φ36*Φ11*12.5 | 2 |
| 65 | L shape plate | 75*23*35*2 | 20 |
| 66 | Front shield | 1725*421*28 | 2 |

| | | | |
|----|---------------------------------------|----------------|----|
| 67 | Cross recessed pan head tapping screw | ST4.2*13 | 20 |
| 68 | Big washer | Φ15*Φ5.3*1.2 | 20 |
| 69 | Long handle group | | 2 |
| 70 | hexagon socket head screw | M10*25 | 2 |
| 71 | rings components | | 2 |
| 72 | hook cover | | 2 |
| 73 | aluminum end cover | Φ38*Φ6.5*13 | 2 |
| 74 | aluminum ring | Φ32*Φ23*14.5 | 2 |
| 75 | aluminum baffle ring | Φ35*Φ26*13 | 2 |
| 76 | plastic ring | Φ30*Φ26*4.5 | 2 |
| 77 | socket cap screw | M6*25 | 2 |
| 78 | spring washer | M6 | 2 |
| 79 | inner hexagon end set screw | M5*5 | 4 |
| 80 | reinforcing regula | 16*9*1560 | 4 |
| 81 | countersunk head pull mandrel rivet | 5*12 | 4 |
| 82 | protect plate | | 2 |
| 83 | right sliding frame | | 1 |
| 84 | left sliding frame | | 1 |
| 85 | select adjusting frame | | 2 |
| 86 | adjusting bar | | 2 |
| 87 | metallurav set | Φ12.7*Φ9.5*9.5 | 4 |
| 88 | aluminum end cover | Φ32*Φ6.5*12 | 2 |
| 89 | spring | Φ1.4*Φ12.5*38 | 2 |
| 90 | handle grip cover | Φ31.5*Φ24*490 | 2 |
| 91 | handle grip cover | Φ18*Φ12*100 | 2 |
| 92 | roller link | 08A | 2 |
| 93 | countersunk head hexagon screw | M6*20 | 2 |
| 94 | reed nut | M6*Φ20.8*10 | 2 |
| 95 | elliptical pipe plug | PT50*100*3 | 2 |
| 96 | cross recessed pan head screw | M4*10 | 8 |
| 97 | spring washer | M4 | 8 |
| 98 | plain washer | Φ9*Φ4.3*0.8 | 8 |

7.3 Exploded Drawing



Training equipment from Taurus® is subject to strict quality control. However, if a fitness equipment purchased from us does not work perfectly, we take it very seriously and ask you to contact our customer service as indicated. We are happy to help you by phone via our service hotline.

Error Descriptions

Your fitness equipment is developed for long-term, high-quality training. However, should a problem arise, please first read the operating instructions. For further assistance, please contact your contract partner or call our service hotline. To ensure your problem is solved as quickly as possible, please describe the defect as exactly as possible.

In addition to the statutory warranty, we provide a warranty for every fitness equipment purchased from us according to the following provisions.

Your statutory rights are not affected.

Warranty

The warranty is the first/original buyer and/or any person who received a newly purchased product as a gift from the original buyer.

Warranty period

The warranty periods, shown on our web shop, begin on delivery of the fitness equipment. The respective warranty periods for your equipment can be found on its product website.

Repair Costs

According to our choice, there will either be a repair, a replacement of individual damaged parts or a complete replacement. Spare parts, that have to be mounted while assembling the equipment, have to be replaced by the warranty holder personally and are not a part of repair. After the expiration of the warranty period, the responsibility for parts costs, repair costs, installation costs and delivery costs lies with the warranty holder.

The terms of use are defined as follows:

- + Home use: solely for private use in private households up to 3 hours per day
- + Semi-professional use: up to 6 hours per day (e. g. rehabilitation centres, hotels, clubs, company gyms)
- + Professional use: more than 6 hours per day (e. g. commercial gyms)

Warranty Service

Within the warranty period, equipment which develops faults as a result of material or manufacturing defects, will be repaired or replaced at our discretion. Ownership of equipment or parts of equipment which have been replaced is transferred to us. The warranty period is not extended nor does a new warranty period begin following repair or replacement under the warranty.

Warranty Conditions

For the warranty to be valid, the following steps must be taken:

Please contact our customer service by email or phone. If the product under warranty has to be sent in for repair, the seller bears costs. After expiry of the warranty, the buyer bears the costs of transport and insurance. If the fault is covered by our warranty, you will receive a new or repaired equipment in return.

Warranty claims are invalid in case of damage resulting from:

- + misuse or improper handling
- + environmental influences (moisture, heat, electrical surge, dust, etc.)
- + failure to follow the current safety measures for the equipment
- + failure to follow the operating instructions
- + use of force (e. g. hitting, kicking, falling)
- + interventions which were not carried out by one of our authorized service centres
- + unauthorised repair attempts

Proof of Purchase and Serial Number

Please make sure that you are able to provide the appropriate receipt when claiming on your warranty. So that we can clearly identify the model of your equipment, and for the purposes of our quality control, you will need to give the serial number of your equipment, when contacting the service team. Where possible please have your serial number and your customer number ready when you call our service hotline. It will help us to deal with your request swiftly.

If you cannot find the serial number on your fitness equipment, our service team is at your disposal to offer further information.

Service outside of the Warranty Period

We are also happy to issue an individual cost estimate if there is a problem with your fitness equipment after the warranty has expired, or in cases which do not fall under the terms of the warranty, e. g. normal wear and tear. Please contact our customer service team to find a quick and cost-effective solution to your problem. In such a case you will be responsible for the delivery costs.

Communication

Many problems can be solved just by speaking to us as your specialist supplier. We know how important it is to you as a user of the fitness equipment to have problems solved quickly and simply, so you can enjoy working out with minimal interruption. For that reason, we also want to resolve your queries quickly and in a straightforward manner. Thus, please always keep your customer number and the serial number of the faulty equipment handy.

| DE | DK | FR |
|---|--|---|
| <p>TECHNIK</p> <p>☎ +49 4621 4210-900 ☎ +49 4621 4210-698 ✉ technik@sport-tiedje.de 🕒 Öffnungszeiten entnehmen Sie unserer Homepage.</p> <p>SERVICE</p> <p>☎ 0800 20 20277 (kostenlos) ☎ 04621 4210 - 0 ✉ info@sport-tiedje.de 🕒 Öffnungszeiten entnehmen Sie unserer Homepage.</p> | <p>TEKNIK OG SERVICE</p> <p>☎ 80 90 16 50 +49 4621 4210-945 ✉ info@fitshop.dk 🕒 Åbningstider kan findes på hjemmesiden.</p> | <p>TECHNIQUE & SERVICE</p> <p>☎ +33 (0) 189 530984 +49 4621 42 10 933 ✉ info@fitshop.fr 🕒 Vous trouverez les heures d'ouverture sur notre site Internet.</p> |
| | PL | BE |
| | <p>DZIAŁ TECHNICZNY I SERWIS</p> <p>☎ 22 307 43 21 +49 4621 42 10-948 ✉ info@fitshop.pl 🕒 Godziny otwarcia można znaleźć na stronie głównej.</p> | <p>TECHNIQUE & SERVICE</p> <p>☎ 02 732 46 77 +49 4621 4210 933 ✉ info@fitshop.be 🕒 Vous trouverez les heures d'ouverture sur notre site Internet.</p> |
| UK | NL | INT |
| <p>CUSTOMER CARE POWERHOUSE</p> <p>☎ +44 141 737 2249 or +44 141 876 3972 ✉ customercare@powerhouse-fitness.co.uk 🕒 You can find the opening hours on our homepage.</p> | <p>TECHNISCHE DIENST & SERVICE</p> <p>☎ +31 172 619961 ✉ service@fitshop.nl 🕒 De openingstijden vindt u op onze homepage.</p> | <p>TECHNICAL SUPPORT & SERVICE</p> <p>☎ +49 4621 4210-944 ✉ service-int@sport-tiedje.de 🕒 You can find the opening hours on our homepage.</p> |
| ES | AT | CH |
| <p>TECNOLOGÍA Y SERVICIOS</p> <p>☎ 911 238 029 ✉ info@fitshop.es 🕒 Consulta nuestro horario de apertura en la página web.</p> | <p>TECHNIK & SERVICE</p> <p>☎ 0800 20 20277 (Freecall) +49 4621 42 10-0 ✉ info@sport-tiedje.at 🕒 Öffnungszeiten entnehmen Sie unserer Homepage.</p> | <p>TECHNIK & SERVICE</p> <p>☎ 0800 202 027 +49 4621 42 10-0 ✉ info@sport-tiedje.ch 🕒 Öffnungszeiten entnehmen Sie unserer Homepage.</p> |

Please find a detailed overview including address and opening hours for all stores of Powerhouse Fitness in the UK on the following website:

www.powerhouse-fitness.co.uk/storelocator

WE LIVE FITNESS

WEBSHOP AND SOCIAL MEDIA

The Sport-Tiedje Group is Europe's largest specialist for home fitness equipment with currently 70 stores and one of the world's most renowned online mail order companies for fitness equipment.

Powerhouse Fitness is part of the Sport-Tiedje Group. Private customers order via the 25 web shops in the respective national language or have their desired equipment assembled on site. In addition, the company supplies fitness studios, hotels, sports clubs, companies and physio practices with professional equipment for endurance and strength training.

The Sport-Tiedje group offers a wide range of fitness equipment from renowned manufacturers, high-quality in-house developments and comprehensive services, such as a build-up service and sports scientific advice before and after the purchase. The company employs numerous sports scientists, fitness trainers and competitive athletes.

Visit us also on our social media platforms or our blog!



<http://www.powerhouse-fitness.co.uk/>
www.powerhouse-fitness.co.uk/blog/



<https://www.facebook.com/powerhousefitness.co.uk>



www.instagram.com/powerhousefitness_uk/



www.youtube.com/user/PHFTV/

TAURUS

 cardiostrong

BODYCRAFT

 **BodyMax**
PERFORMANCE AT YOUR COMFORT

Notes

TAURUS®

Taurus Elite Dual Pulley