

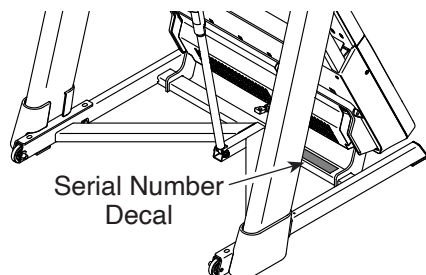
# PRO-FORM<sup>®</sup>

## CARBON TL

Model No. PFTL59725-INT.0

Serial No. \_\_\_\_\_

Write the serial number in the space above for reference.



### UNITED KINGDOM

Website: [iFITsupport.eu](http://iFITsupport.eu)

E-mail: [csuk@iconeurope.com](mailto:csuk@iconeurope.com)

#### Write:

iFIT Health & Fitness Limited

Unit 4, Westgate Court

Silkwood Park

OSSETT

WF5 9TT

UNITED KINGDOM

### AUSTRALIA

Call: 1800 993 770

E-mail: [australiacc@iFIT.com](mailto:australiacc@iFIT.com)

#### Write:

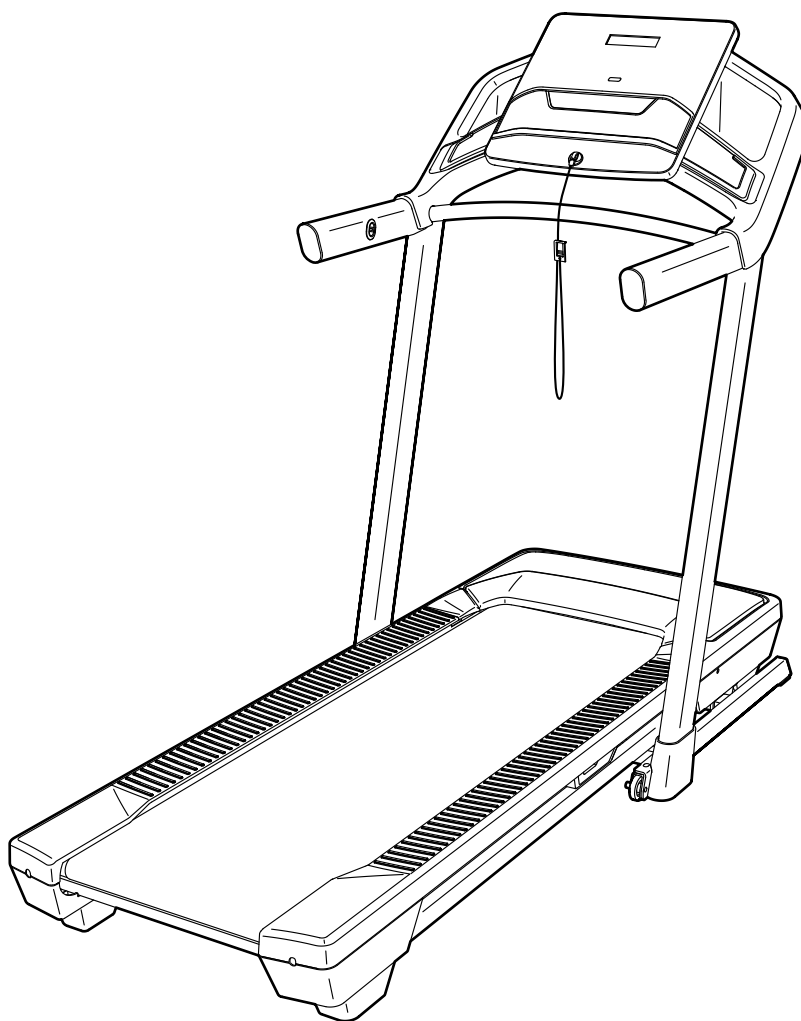
iFIT Inc.

PO Box 635

WINSTON HILLS NSW 2153

AUSTRALIA

## USER'S MANUAL



### CAUTION

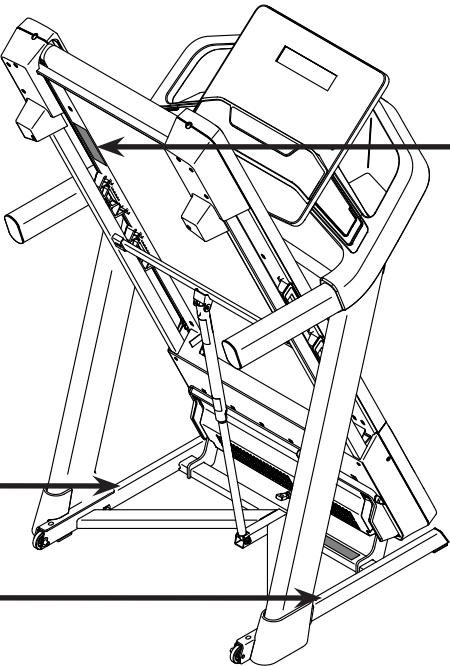
Read all precautions and instructions in this manual before using this equipment. Keep this manual for future reference.

# TABLE OF CONTENTS

WARNING DECAL PLACEMENT .....	2
IMPORTANT PRECAUTIONS .....	3
BEFORE YOU BEGIN .....	6
PART IDENTIFICATION CHART .....	7
ASSEMBLY .....	8
HOW TO PLUG IN THE POWER CORD .....	15
HOW TO USE THE TREADMILL .....	16
HOW TO FOLD AND MOVE THE TREADMILL .....	24
MAINTENANCE AND TROUBLESHOOTING .....	25
EXERCISE GUIDELINES .....	27
PART LIST .....	28
EXPLODED DRAWING .....	29
ORDERING REPLACEMENT PARTS .....	Back Cover
RECYCLING INFORMATION .....	Back Cover
UK/EU DECLARATION OF CONFORMITY .....	Back Cover

## WARNING DECAL PLACEMENT

This drawing shows the locations of the warning decals. **If a decal is missing or illegible, see the front cover of this manual and request a free replacement decal. Apply the decal in the location shown.** Note: The decals may not be shown at actual size.



**⚠ CAUTION**

Keep hands and feet away from this area while the treadmill is in operation.

**⚠ WARNING**

To reduce the risk of serious injury, read user's manual and:

- Stand only on foot rails when starting or stopping.
- Never allow children on or around.
- Keep clothing, fingers, and hair away from moving parts.
- Change speed in small increments.
- Hold handrails to reduce risk of falling.
- Always wear clip while operating.
- Stop if you feel faint, dizzy, or short of breath.
- Set incline to zero before folding (power incline only).
- Fully engage the safety latch before moving or storing.
- Always remove key when not in use.
- Never adjust or fix the belt while it is moving.
- Always wear athletic shoes while operating.

PROFORM and IFIT are registered trademarks of iFIT Inc. App store is a trademark of Apple Inc., registered in the U.S. and other countries. Android and Google Play are trademarks of Google LLC. The Bluetooth® word mark and logos are registered trademarks of Bluetooth SIG, Inc. and are used under license. IOS is a trademark or registered trademark of Cisco in the U.S. and other countries and is used under license.

# IMPORTANT PRECAUTIONS

**⚠️ WARNING:** To reduce the risk of burns, fire, electric shock, or injury to persons, read all important precautions and instructions in this manual and all warnings on your treadmill before using your treadmill. iFIT assumes no responsibility for personal injury or property damage sustained by or through the use of this product.

1. It is the responsibility of the owner to ensure that all users of the treadmill are adequately informed of all warnings and precautions.
2. Keep children under age 16 and pets away from the treadmill at all times.
3. Consult your health care provider before beginning any exercise program. This is especially important for persons over age 35 or persons with pre-existing health problems.
4. Consult your health care provider before beginning or continuing any exercise program during pregnancy. Use the treadmill only as authorized by your health care provider.
5. The treadmill is not intended for use by persons with reduced physical, sensory, or mental capabilities or lack of experience and knowledge, unless they have been given supervision or instruction concerning the use of the treadmill by someone responsible for their safety.
6. Use the treadmill only as described in this manual.
7. The treadmill is intended for home use only. Do not use the treadmill in any commercial, rental, or institutional setting.
8. Keep the treadmill indoors, away from moisture and dust. Do not put the treadmill in a garage or covered patio, or near water.
9. Place the treadmill on a level surface, with at least 8 ft. (2.4 m) of clearance behind it and 2 ft. (0.6 m) on each side. Do not place the treadmill on any surface that blocks air openings. To protect the floor or carpet from damage, place a mat under the treadmill.
10. Do not operate the treadmill where aerosol products are used or where oxygen is being administered.
11. The treadmill should be used only by persons weighing 300 lbs. (136 kg) or less.
12. Never allow more than one person on the treadmill at a time.
13. Wear appropriate exercise clothes while using the treadmill. Do not wear loose clothes that could become caught in the treadmill. Athletic support clothes are recommended for both men and women. Always wear athletic shoes. Never use the treadmill with bare feet, wearing only stockings, or in sandals.
14. When connecting the power cord (see page 15), plug the power cord into an earthed circuit. No other appliance should be on the same circuit. When replacing the fuse in the power cord adapter, insert an ASTA-approved BS1362, 13-amp fuse into the fuse carrier.
15. If an extension cord is needed, use only a 3-conductor, 14-gauge (2 mm<sup>2</sup>) cord that is no longer than 5 ft. (1.5 m).
16. Keep the power cord away from heated surfaces.
17. Never move the walking belt while the power is turned off. Do not operate the treadmill if the power cord or plug is damaged, or if the treadmill is not working properly. (See MAINTENANCE AND TROUBLESHOOTING on page 25 if the treadmill is not working properly.)
18. Read, understand, and test the emergency stop procedure before using the treadmill (see HOW TO TURN ON THE CONSOLE on page 17). Always wear the clip while using the treadmill.
19. Be careful when mounting and dismounting the treadmill. Always stand on the foot rails when starting or stopping the walking belt. Always hold the handrails while using the treadmill.

20. When a person is walking on the treadmill, the noise level of the treadmill will increase.
21. Keep fingers, hair, and clothing away from the moving walking belt.
22. The treadmill is capable of high speeds. Adjust the speed in small increments to avoid sudden jumps in speed.
23. Never leave the treadmill unattended while it is running. Always remove the key, press the power switch into the off position (see the drawing on page 6 for the location of the power switch), and unplug the power cord when the treadmill is not in use.
24. Do not attempt to move the treadmill until it is properly assembled. (See ASSEMBLY on page 8 and HOW TO FOLD AND MOVE THE TREADMILL on page 24.) You must be able to safely lift 45 lbs. (20 kg) to move the treadmill.
25. When folding or moving the treadmill, make sure that the storage latch is holding the frame securely in the storage position. Do not operate the treadmill while it is folded.
26. Do not change the incline of the treadmill by placing objects under the treadmill.
27. Never insert any object into any opening on the treadmill.
28. Inspect and properly tighten all parts each time the treadmill is used. Replace any worn parts immediately. Use only manufacturer-supplied parts.
29. **DANGER:** Always unplug the power cord immediately after use, before cleaning the treadmill, and before performing the maintenance and adjustment procedures described in this manual. Never remove the motor hood unless instructed to do so by an authorized service representative. Servicing other than the procedures in this manual should be performed by an authorized service representative only.
30. Over exercising may result in serious injury or death. If you feel faint, if you become short of breath, or if you experience pain while exercising, stop immediately and cool down.

**SAVE THESE INSTRUCTIONS**

**This page intentionally left blank**

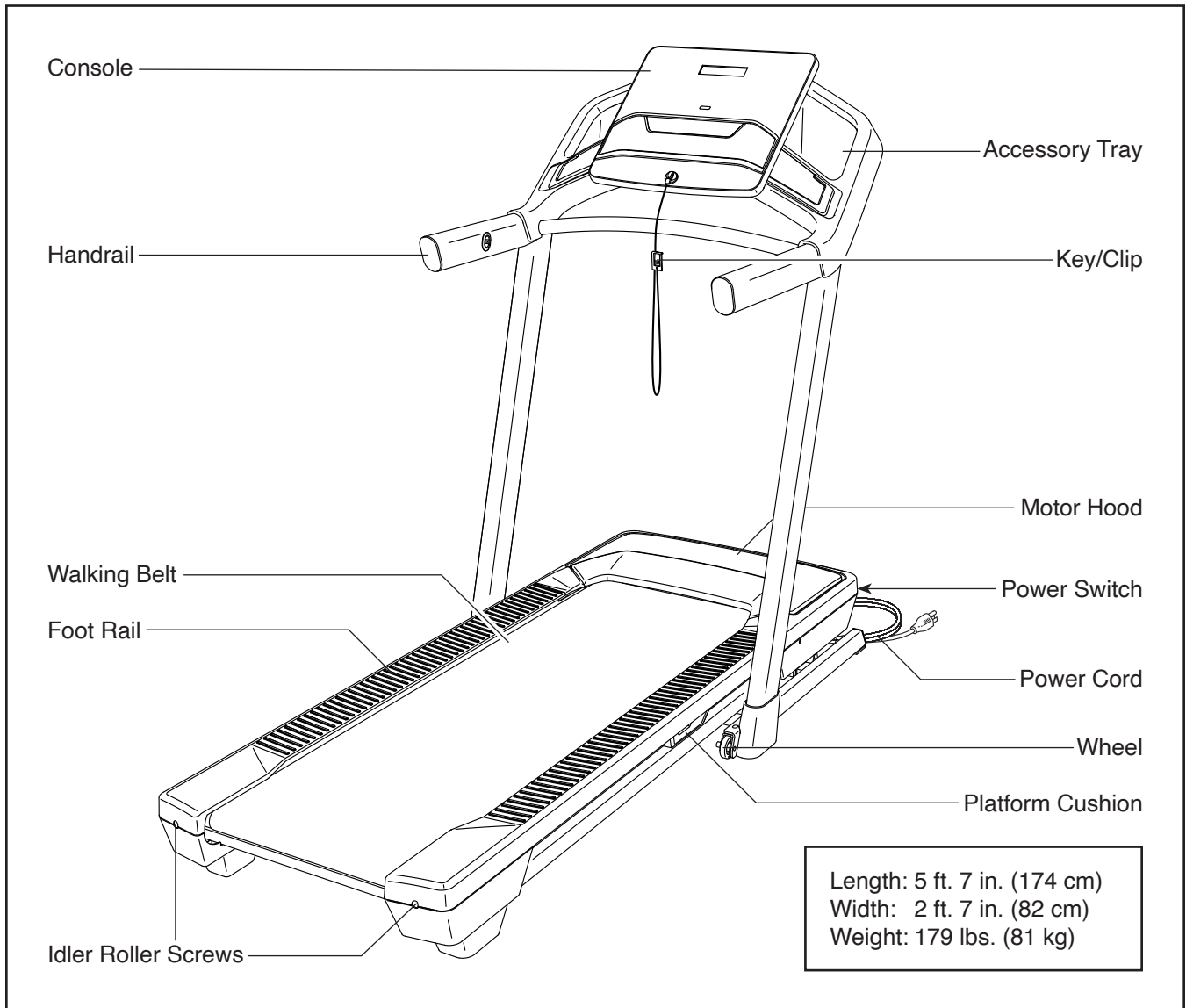
# BEFORE YOU BEGIN

Thank you for selecting the new PROFORM® CARBON TL treadmill. The CARBON TL treadmill provides an impressive selection of features designed to make your workouts at home more effective and enjoyable.

**For your benefit, read this manual carefully before you use the treadmill.** If you have questions after

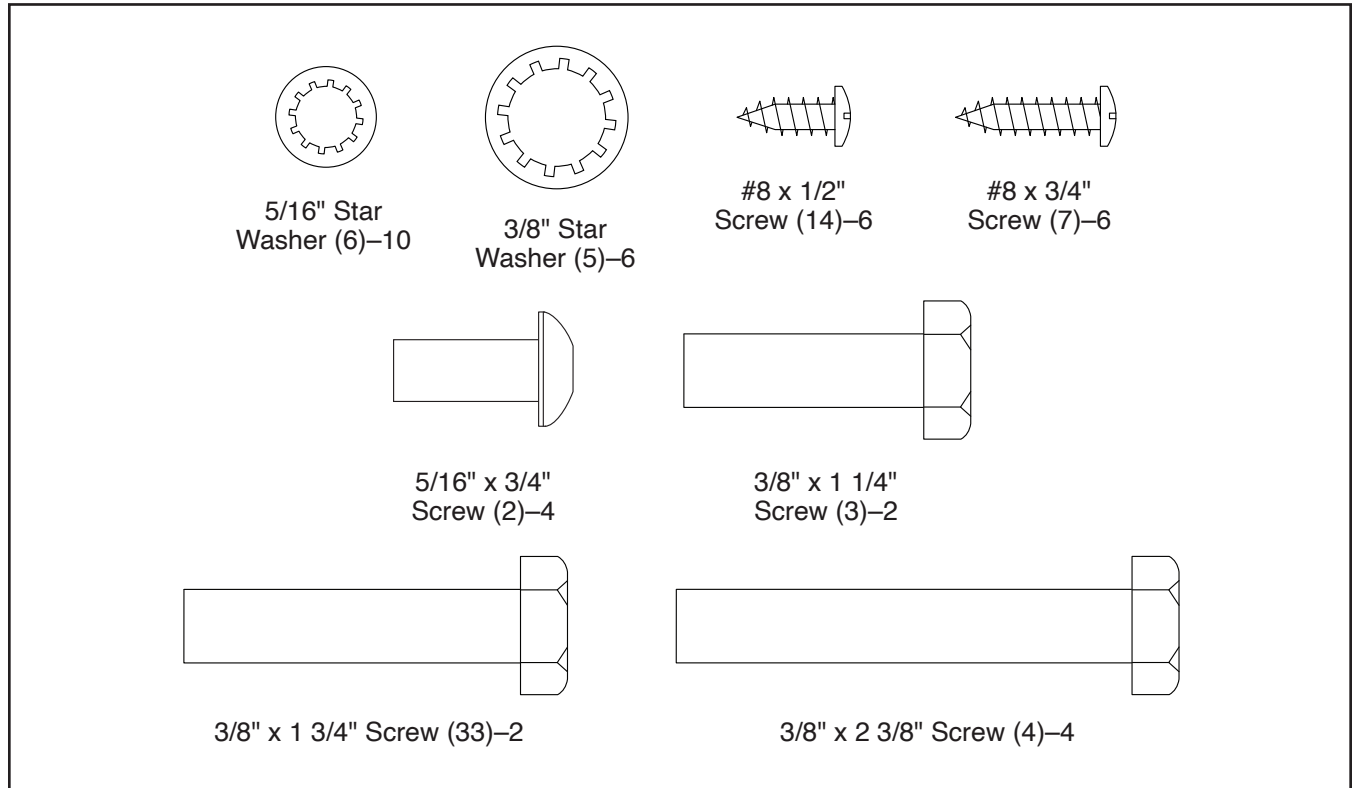
reading this manual, please see the front cover of this manual. To help us assist you, note the product model number and serial number before contacting us. The model number and the location of the serial number decal are shown on the front cover of this manual.

Before reading further, please familiarize yourself with the parts that are labeled in the drawing below.



# PART IDENTIFICATION CHART

Use the drawings below to identify small parts used for assembly. The number in parentheses below each drawing is the key number of the part, from the PART LIST near the end of this manual. The number following the key number is the quantity used for assembly. **Note: If a part is not in the hardware kit, check to see whether it is preattached. Extra parts may be included.**



# ASSEMBLY

- Assembly requires two persons.
- Place all parts in a cleared area and remove the packing materials. Do not dispose of the packing materials until you finish all assembly steps.
- After shipping, there may be an oily substance on the exterior of the treadmill. This is normal. If there is an oily substance on the treadmill, wipe it off with a soft cloth and a mild, non-abrasive cleaner.
- To identify small parts, see page 7.
- Left parts are marked “L” or “Left” and right parts are marked “R” or “Right.”
- Assembly can be completed using the included tools. To avoid damaging parts, do not use power tools for assembly. Note: Keep the included tools. One or more of the included tools may be needed to make adjustments in the future.

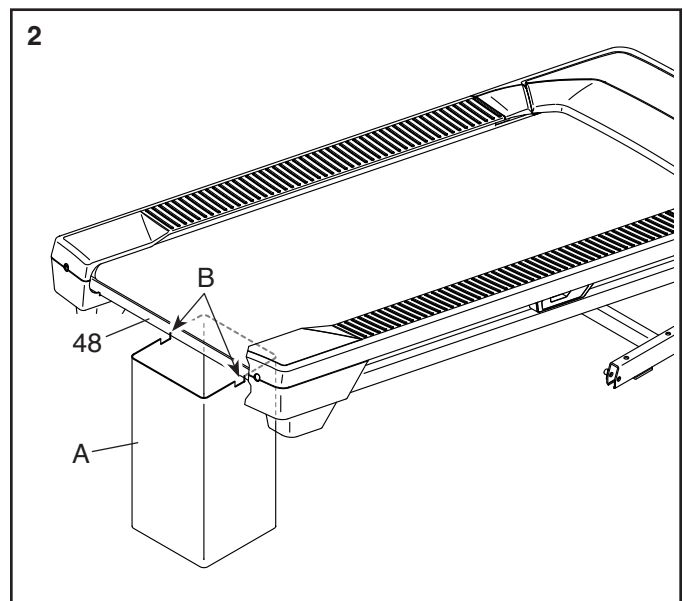
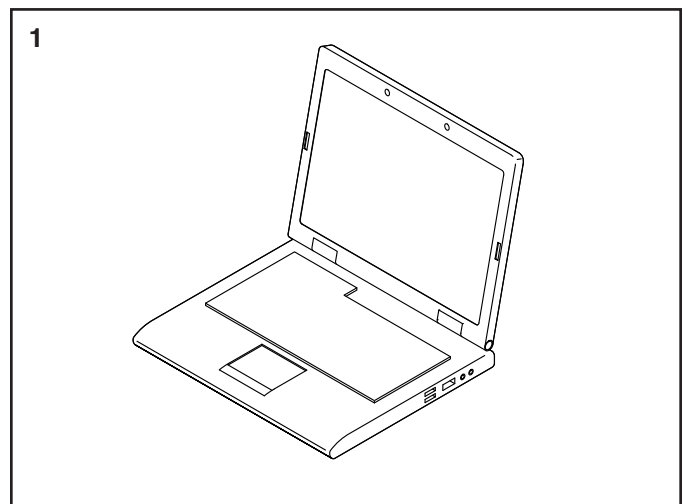
- 1. To register your product and activate your warranty in the UK**, go to [iFITsupport.eu](http://iFITsupport.eu). If you do not have internet access, complete the warranty registration card in the warranty booklet and send it by registered post to the address on the back cover of the warranty booklet.

**To register your product and activate your warranty in Australia**, email or post the following information to the email address or postal address on the front cover of this manual.

- your receipt (make sure to keep a copy)
- your name, address, and telephone number
- the model number, serial number, and name of your product (see the front cover of this manual)

- 2.** Locate the included cardboard support (A) and unfold it to the position shown, with the cutouts (B) at the top.

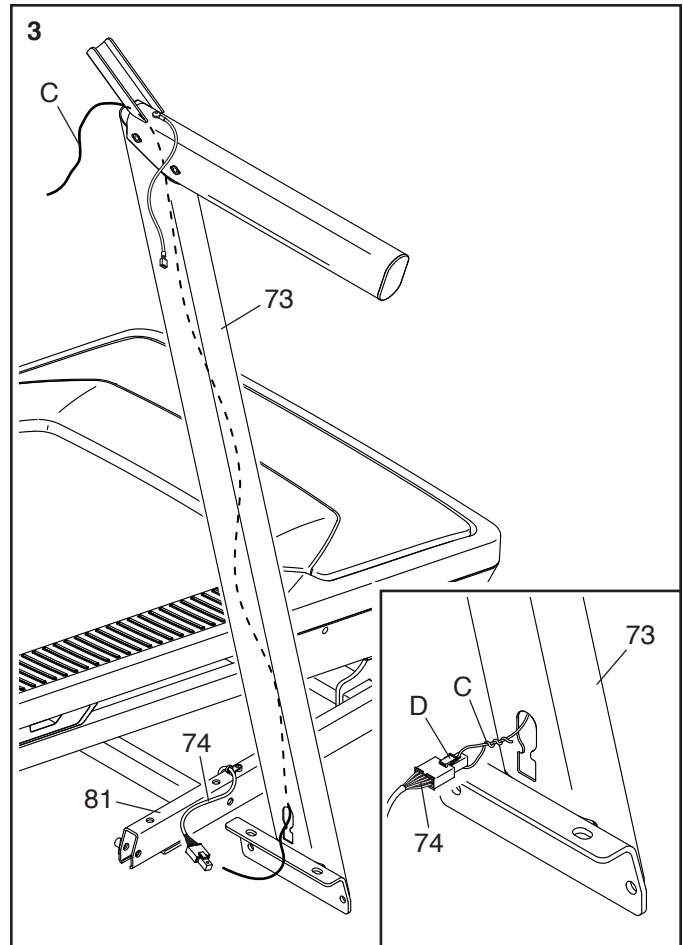
Then, lift the back end of the Frame (48), and insert it into the cutouts (B). The cardboard support (A) will make it easier for you to do steps 3 and 4.



3. Locate the Upright Wire (74) on the right side of the Upright Base (81). Remove the wire tie (not shown) securing the Upright Wire to the Upright Base as shown.

Next, identify the Right Upright (73), and have a second person hold it near the Upright Base (81).

**See the inset drawing.** Locate the wire tie (C) in the Right Upright (73). Tie the wire tie through the wire pull (D) on the Upright Wire (74). Next, feed the Upright Wire into the Right Upright, and pull the upper end of the wire tie until the Upright Wire is routed through the Right Upright. **Do not remove the wire tie yet.**



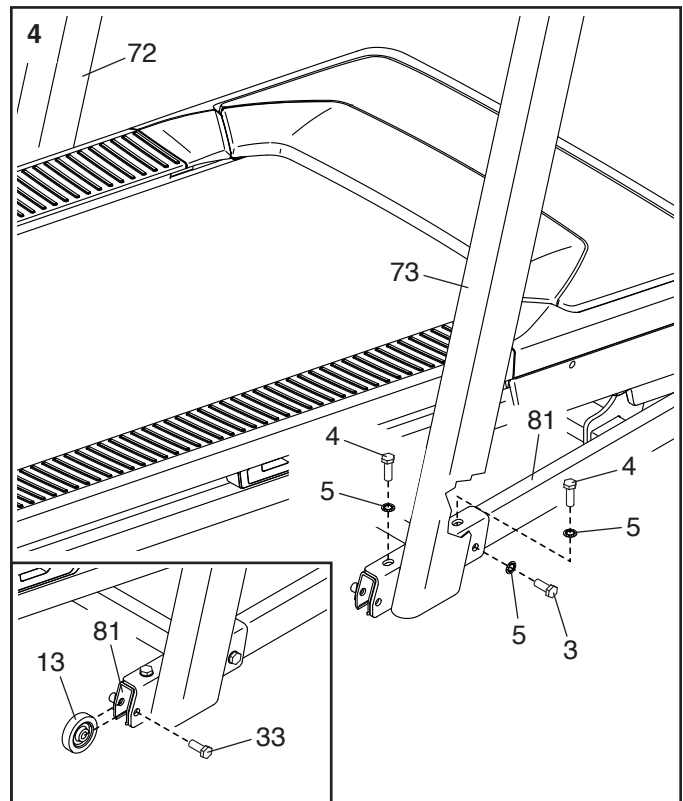
4. **Do not pinch the Upright Wire (not shown) during this step.**

Attach the Right Upright (73) to the Upright Base (81) with two 3/8" x 2 3/8" Screws (4), a 3/8" x 1 1/4" Screw (3), and three 3/8" Star Washers (5) as shown; **do not fully tighten the Screws yet.**

**See the inset drawing.** Attach a Wheel (13) to the Upright Base (81) with a 3/8" x 1 3/4" Screw (33); **do not fully tighten the Screw yet.**

**Attach the Left Upright (72) and the other Wheel (not shown) in the same way.**

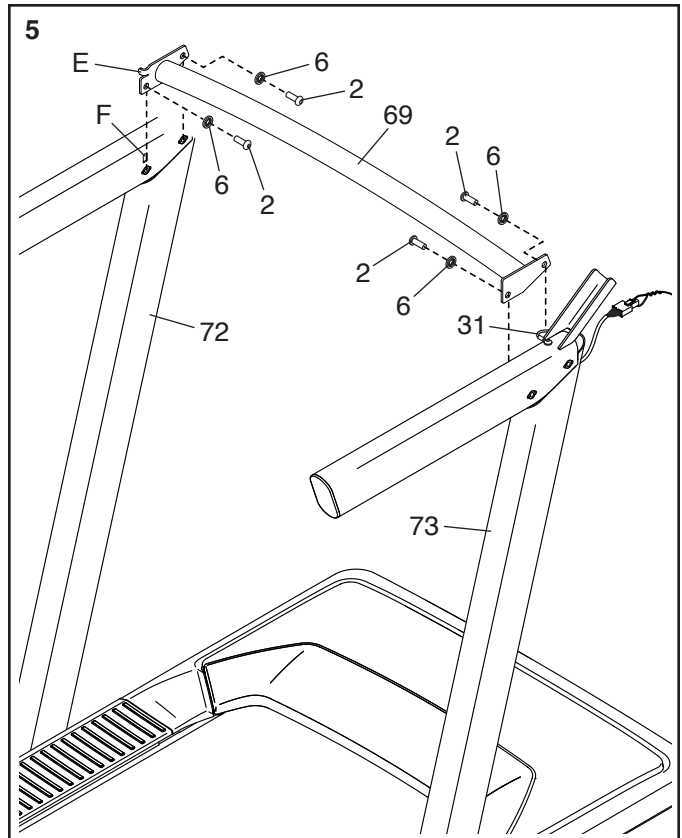
**See step 2.** Remove the cardboard support (A) and lower the Frame (48) to the floor.



**5. Do not pinch the Ground Wire (31) during this step.**

Locate the small tab (E) on the Crossbar (69). Hold the Crossbar between the Uprights (72, 73), with the tab in the slot (F) in the Left Upright.

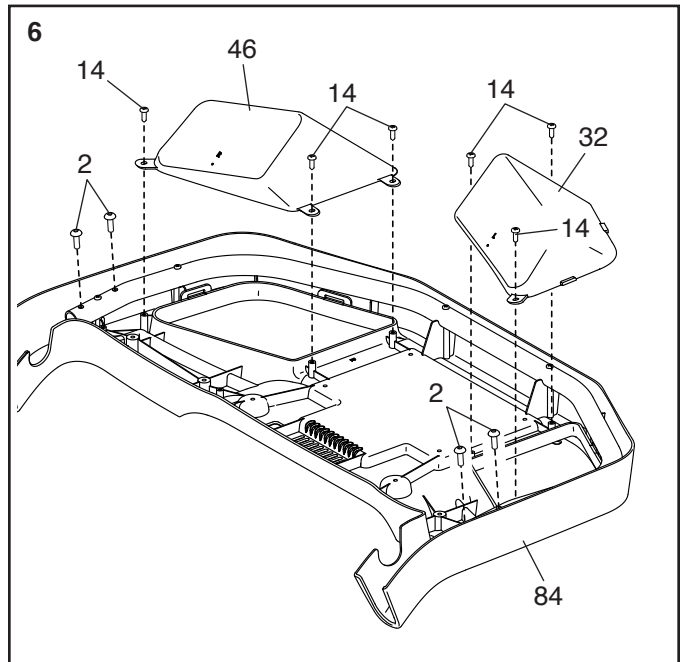
Attach the Crossbar (69) with four 5/16" x 3/4" Screws (2) and four 5/16" Star Washers (6); **start all four Screws, and then tighten them.**



**6. Set the Console Base (84) facedown on a soft surface to avoid scratching the Console Base.**

Attach the Left and Right Trays (32, 46) to the Console Base (84) with six #8 x 1/2" Screws (14); **start all of the Screws, and then tighten them. Do not overtighten the Screws.**

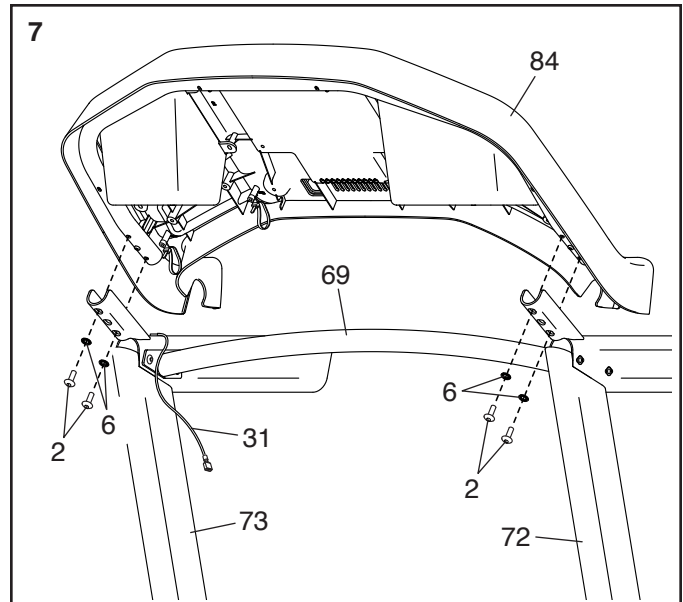
Then, remove and save the four indicated 5/16" x 3/4" Screws (2).



7. Make sure that the Ground Wire (31) is in front of the Crossbar (69) as shown. **Do not pinch the Ground Wire during this step.**

Set the Console Base (84) on the Uprights (72, 73).

Attach the Console Base (84) with the four 5/16" x 3/4" Screws (2) that you removed in step 6 and four 5/16" Star Washers (6); **start all four Screws, and then tighten them.**

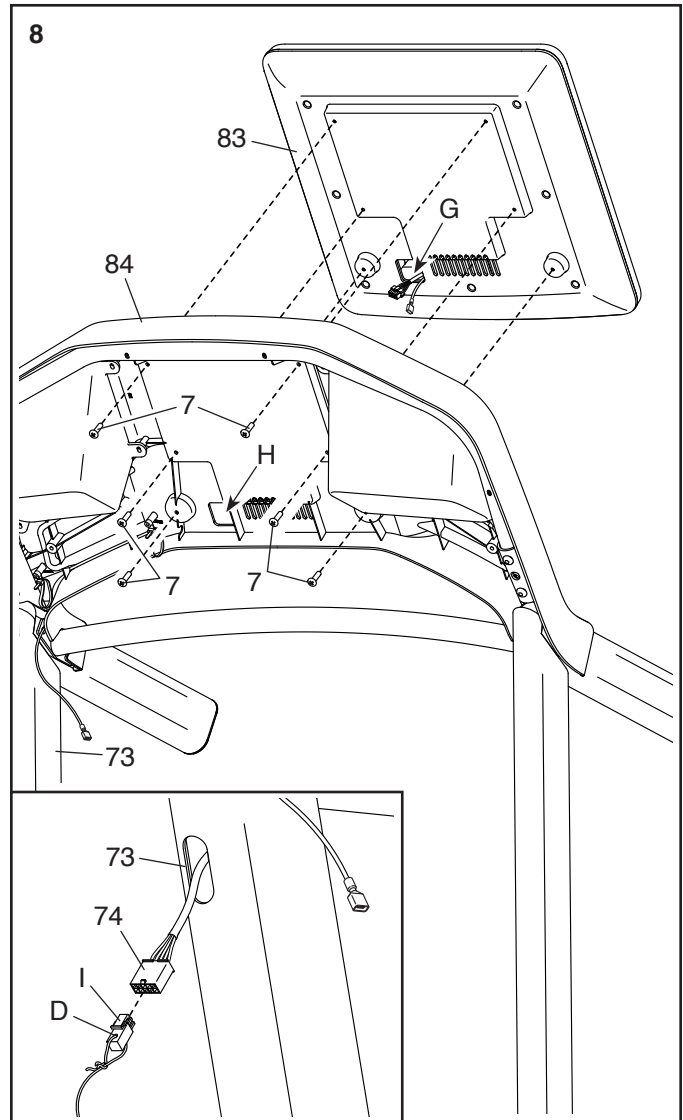


8. **Do not pinch any wires (G) during this step.**

Hold the Console (83) near the Console Base (84). Insert the console wires (G) into the opening (H) in the Console Base, and then set the Console on the Console Base.

Attach the Console (83) with six #8 x 3/4" Screws (7); **start all six Screws, and then tighten them. Do not overtighten the Screws.**

**See the inset drawing.** Grip the connector on the end of the Upright Wire (74) extending from the Right Upright (73). Then, press the small latch (I) on the wire pull (D), and remove and discard the wire pull.

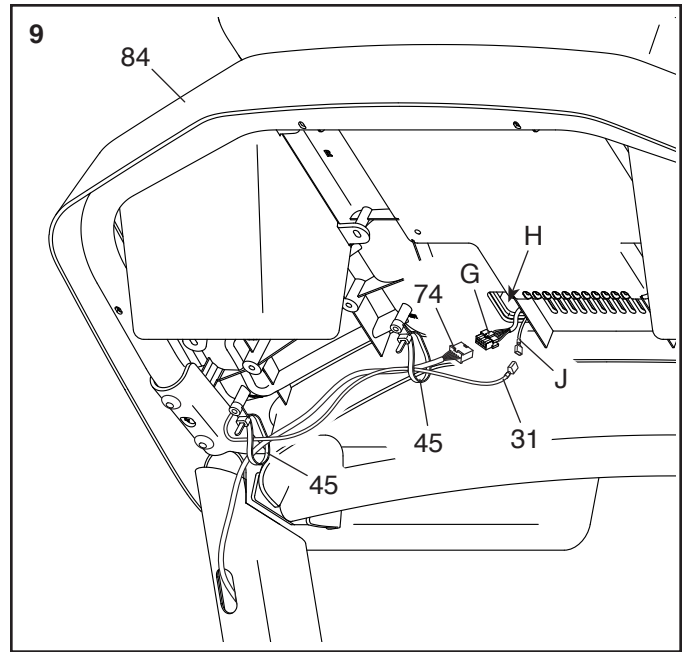


9. Route the Upright Wire (74) and the Ground Wire (31) through the two Plastic Ties (45).

Next, connect the Upright Wire (74) to the console wire (G). **IMPORTANT: The wire connectors should slide together easily and snap into place with an audible click. If they do not, turn one connector and try again. You must connect the wires properly for your treadmill to function properly.**

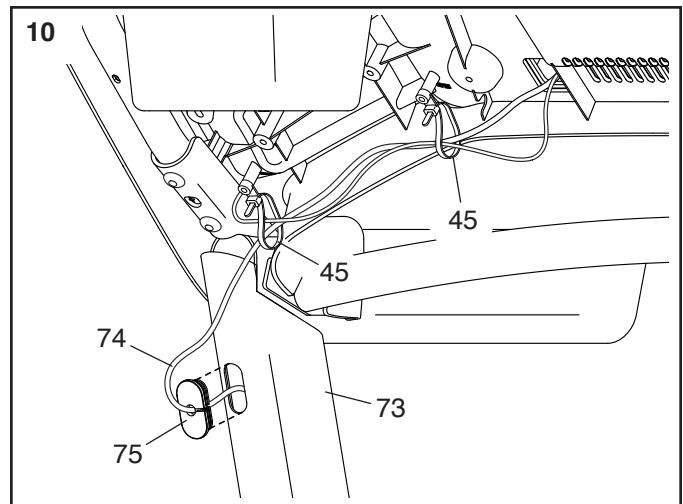
Next, connect the Ground Wire (31) to the console ground wire (J).

Then, insert the wire connectors (74, G, 31, J) into the opening (H) in the Console Base (84).



10. Do not pinch the Upright Wire (74) during this step.

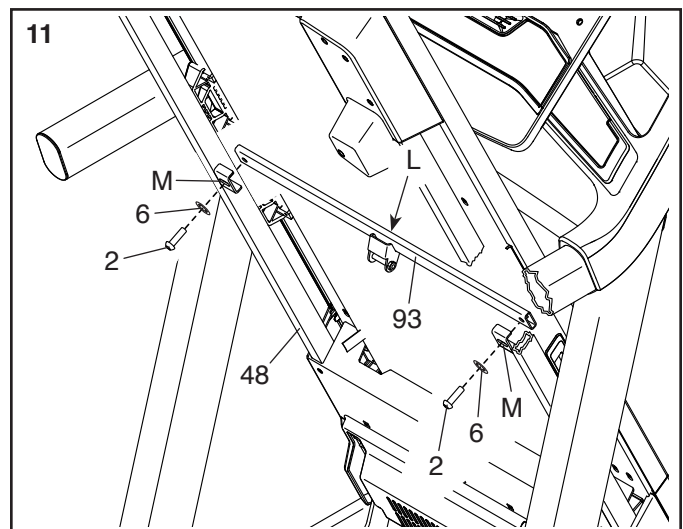
Slide the Oval Grommet (75) onto the Upright Wire (74). Next, insert one side of the Oval Grommet into the Right Upright (73). Then, press the other side of the Oval Grommet into the Right Upright.



11. Raise the treadmill to the position shown. **IMPORTANT: Have a second person hold the Frame (48) until step 13 is completed.**

Next, remove the two 5/16" x 3/4" Screws (2) from the Latch Crossbar (93).

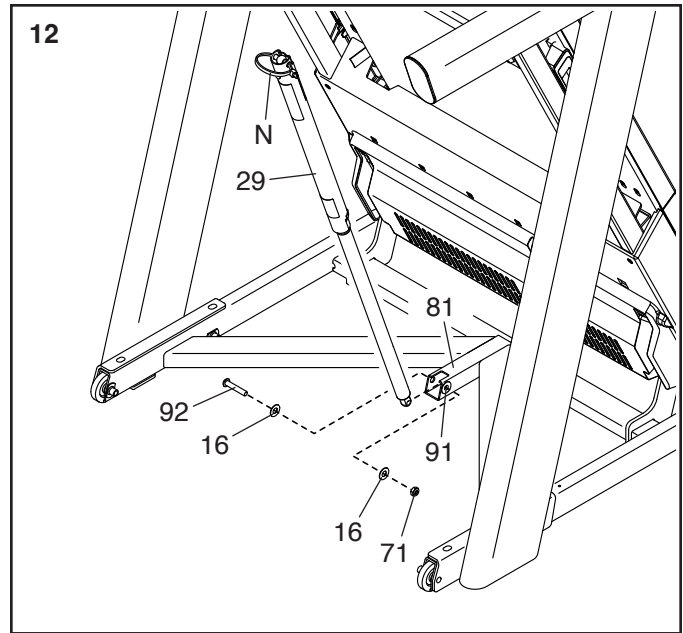
Then, orient the Latch Crossbar (93) as shown; **make sure that the "This side toward belt" sticker (L) is facing the treadmill.** Attach the Latch Crossbar to the brackets (M) on the Frame (48) with the two 5/16" x 3/4" Screws (2) that you just removed and two 5/16" Star Washers (6).



12. Remove the 5/16" Locknut (71), the two 3/8" Thrust Washers (16), and the 5/16" x 1 3/4" Bolt (92) from the Upright Base (81). **Note: If either of the 5/16" Bushings (91) comes out, reinsert it.**

Next, orient the Storage Latch (29) as shown and attach it to the bracket on the Upright Base (81) with the 5/16" x 1 3/4" Bolt (92), the two 3/8" Thrust Washers (16), and the 5/16" Locknut (71).

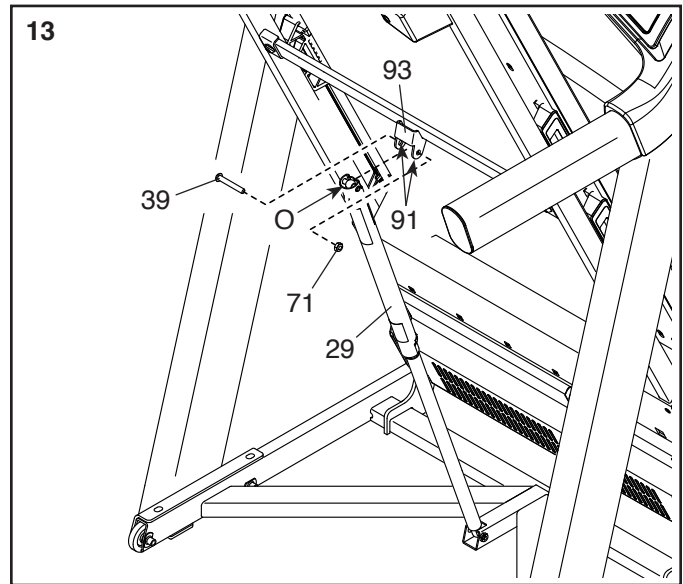
Then, raise the Storage Latch (29) to a vertical position, and remove the tie (N).



13. Remove the 5/16" Locknut (71) and the 5/16" x 2 1/4" Bolt (39) from the bracket on the Latch Crossbar (93).

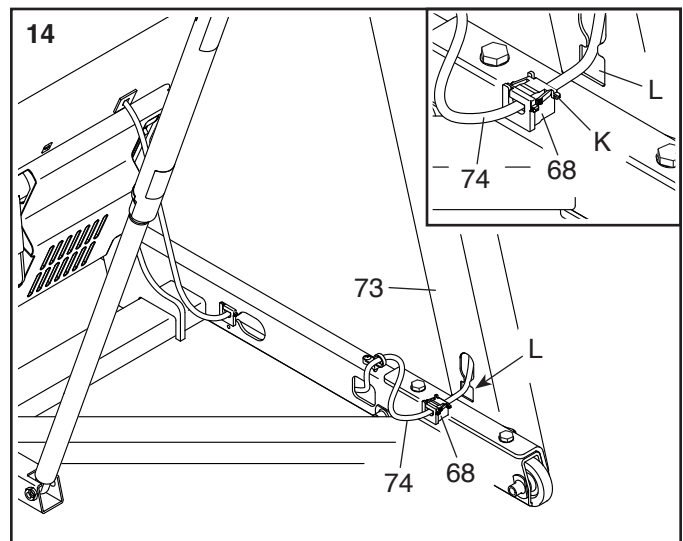
Next, align the upper end of the Storage Latch (29) with the bracket on the Latch Crossbar (93), and insert the 5/16" x 2 1/4" Bolt (39) through the bracket and the Storage Latch. **This will push a spacer (O) out of the Storage Latch: discard the spacer. Note: If either of the 5/16" Bushings (91) comes out, reinsert it.**

Then, tighten the 5/16" Locknut (71) onto the 5/16" x 2 1/4" Bolt (39). **Do not overtighten the Locknut; the Storage Latch (29) must be able to pivot.**



14. Orient the Square Grommet (68) as shown in the inset drawing, and close it around the Upright Wire (74). Next, insert the small ear (K) on the Square Grommet into the square hole (L) in the Right Upright (73), and then press the Square Grommet into the square hole.

**See step 10.** Pull the two Plastic Ties (45) tight, and carefully cut off the ends.



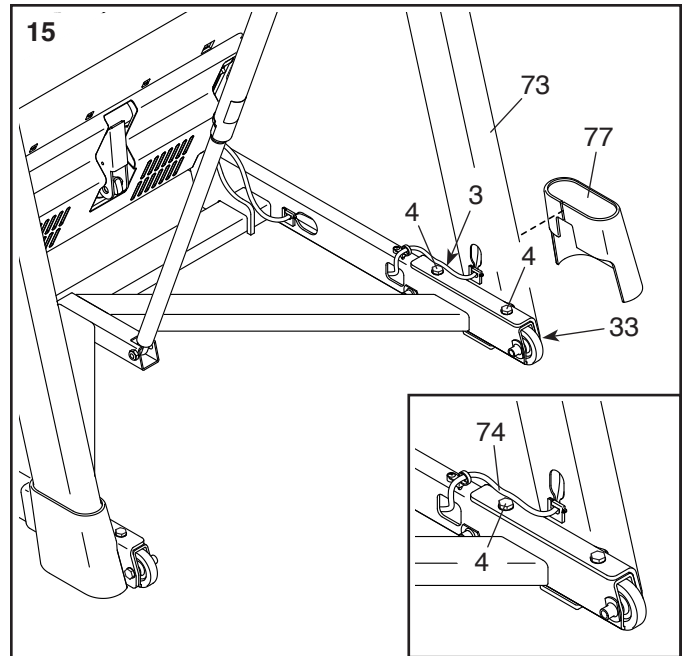
15. Firmly tighten the four indicated Screws (3, 4, 33).

**See the inset drawing.** Make sure that the Upright Wire (74) is on the indicated side of the 3/8" x 2 3/8" Screw (4).

Next, pull the Right Upright Cover (77) open slightly, slide it around the Right Upright (73), and then slide it down to the floor.

**Repeat this step on the left side of the treadmill.** Note: There is not a wire on the left side.

Then, lower the treadmill (see HOW TO LOWER THE TREADMILL FOR USE on page 24).



16. **Make sure that all parts are properly tightened before you use the treadmill.** If there are sheets of plastic on the treadmill decals, remove the plastic. To protect the floor or carpet, place a mat under the treadmill. To avoid damage to the console, keep the treadmill out of direct sunlight. Keep the included tools in a secure place; one or more of the tools may be needed to make adjustments to the treadmill in the future. Note: Extra hardware may be included.

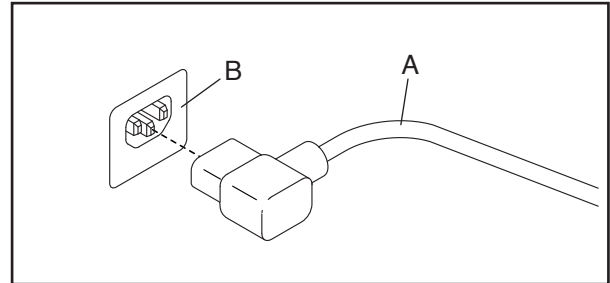
# HOW TO PLUG IN THE POWER CORD

**This product must be earthed.** If it should malfunction or break down, earthing provides a path of least resistance for electric current to reduce the risk of electric shock. This product's power cord has an equipment-earthing conductor and an earthing plug. **IMPORTANT: If the power cord is damaged, it must be replaced with a manufacturer-recommended power cord.**

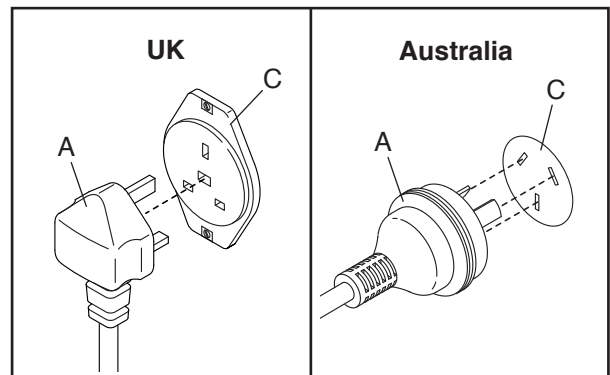
**⚠ DANGER:** Improper connection of the equipment-earthing conductor can result in an increased risk of electric shock. Check with a qualified electrician or serviceman if you are in doubt as to whether the product is properly earthed. Do not modify the plug provided with the product—if it will not fit the outlet, have a proper outlet installed by a qualified electrician.

Follow the steps below to plug in the power cord.

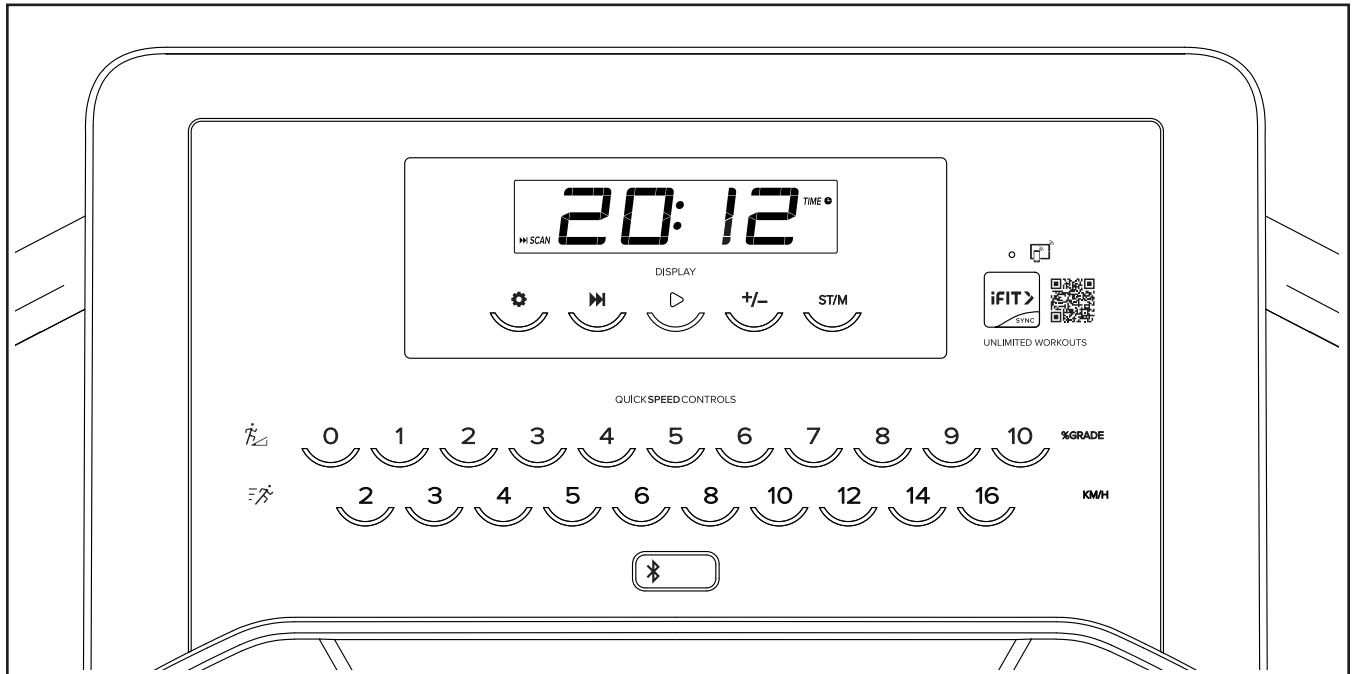
1. Plug the indicated end of the power cord (A) into the socket (B) on the treadmill.



2. Plug the other end of the power cord (A) into an appropriate outlet (C) that is properly installed and earthed in accordance with all local codes and ordinances.



# HOW TO USE THE TREADMILL



## FEATURES OF THE CONSOLE

The treadmill console offers a selection of features designed to make your workouts more effective and enjoyable. When you use the manual mode of the console, you can change the speed and incline of the treadmill with a touch of a button. As you exercise, the console will display continuous exercise feedback.

You can even monitor your heart rate when you use a compatible heart rate monitor. **To purchase a compatible heart rate monitor, see page 23.**

The console also features wireless technology that enables the console to connect to iFIT®. With the iFIT app, you can choose from a rotating selection of featured workouts that automatically control the speed of the treadmill as iFIT trainers guide you through immersive exercise sessions.

With an iFIT subscription, you can access a large and varied library of thousands of destination and studio workouts, create your own workouts, track your workout results, and access many other features.

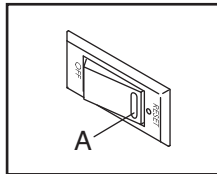
**To turn on and turn off the console, see page 17. To use the manual mode, see page 18. To use an iFIT workout, see page 20. To change console settings, see page 21.**

Note: If there is a sheet of plastic on the display, remove the plastic.

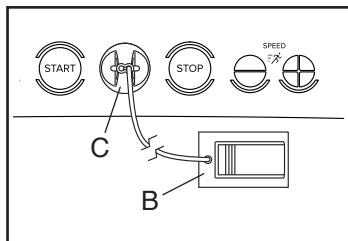
## HOW TO TURN ON THE CONSOLE

**IMPORTANT:** If the treadmill has been exposed to cold temperatures, allow it to warm to room temperature before you turn on the console. If you do not do this, you may damage the console display or other electrical components.

Plug in the power cord (see page 15). Next, locate the power switch on the treadmill frame near the power cord. Make sure that the power switch is in the reset position (A).



Next, **stand on the foot rails of the treadmill.** Find the clip (B) attached to the key (C), and slide the clip onto the waistband of your clothes. Then, insert the key into the console. After a moment, the display will light. **IMPORTANT: In an emergency, the key can be pulled from the console, causing the walking belt to slow to a stop. Test the clip by carefully taking a few steps backward; if the key is not pulled from the console, adjust the position of the clip.**



**IMPORTANT:** The console may feature a demo mode, designed to be used if the treadmill is displayed in a store. If the display lights as soon as you plug in the power cord and press the power

switch into the reset position, the demo mode is turned on. To turn off the demo mode, hold down the Stop button for a few seconds. If the display remains lit, see **HOW TO CHANGE CONSOLE SETTINGS** on pages 21 and 22 to turn off the demo mode.

**IMPORTANT:** The first time you use the treadmill, you must calibrate the incline system. To calibrate the incline system, see **HOW TO CHANGE CONSOLE SETTINGS** on pages 21 and 22.

**IMPORTANT:** To prevent damage to the walking platform, wear clean athletic shoes while using the treadmill. The first time you use the treadmill, observe the alignment of the walking belt, and center the walking belt if necessary (see page 26).

## HOW TO TURN OFF THE CONSOLE

When you are finished using the treadmill, first remove the key from the console and put it in a secure place.

Then, press the power switch into the off position and unplug the power cord. **IMPORTANT: If you do not do this, the electrical components of the treadmill may wear prematurely.**

**IMPORTANT:** Before you fold the treadmill, make sure that the incline is adjusted to the appropriate level (see **HOW TO FOLD AND MOVE THE TREADMILL** on page 24).

## HOW TO USE THE MANUAL MODE

### 1. Insert the key into the console.

See HOW TO TURN ON THE CONSOLE on page 17.

### 2. Select the manual mode.

When you turn on the console, the manual mode will be selected automatically.

### 3. Get ready for the workout.

**To use a heart rate monitor**, see HOW TO USE AN OPTIONAL HEART RATE MONITOR on page 23.

**To use the sound system**, see HOW TO USE THE SOUND SYSTEM on page 23.

### 4. Change the speed as desired.

To start the workout, press the Start button. The walking belt will start to move at a low speed.

You can change the speed of the walking belt in the following ways:

**Speed increase and decrease buttons**—Each time you press a button, the speed setting will change in small increments; if you hold down the button, the speed setting will change more quickly.

**Numbered speed buttons**—Each time you press a button, the walking belt will gradually change speed until it reaches the selected speed setting. To select a speed setting that includes a decimal—such as 3.5 mph—press two numbered buttons in succession. For example, to select a speed setting of 3.5 mph, press the 3 button and then immediately press the 5 button. Note: This feature may not function when the console is set to metric units.

### 5. Change the incline as desired.

You can change the incline of the treadmill in the following ways:

**Incline increase and decrease buttons**—Each time you press a button, the incline will gradually change until it reaches the selected incline setting.

**Numbered incline buttons**—Each time you press a button, the incline will gradually change until it reaches the selected incline setting.

### 6. Follow your progress.

The display can show the following workout information:

**Calories (CALs)**—The approximate number of calories you have burned.

**Calories per Hour (CALs/HR)**—The approximate number of calories you are burning per hour.

**Time**—The elapsed time.

**Pace**—The speed in minutes per mile or minutes per kilometer. To change the unit of measurement, press the St/M button.

**Vertical Distance (VRT FT or VRT M)**—The distance you have walked or run in vertical feet or vertical meters. To change the unit of measurement, press the St/M button.

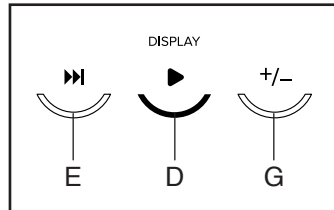
**Incline (%Grade)**—The incline level.

**Distance (MI or KM)**—The distance that you have walked or run in miles or kilometers. To change the unit of measurement, press the St/M button.

**Speed (MPH or KPH)**—The speed in miles per hour or kilometers per hour. To change the unit of measurement, press the St/M button.

**Pulse (BPM and heart symbol)**—Your heart rate when you use a compatible heart rate monitor (see HOW TO USE AN OPTIONAL HEART RATE MONITOR on page 23).

Press the Display button (D) repeatedly to view the desired workout information in the display.



**Scan mode**—The console also has a scan mode that will display workout information in a repeating cycle. **To turn on the scan mode**, press the Scan button (E); the scan indicator (F) and the word SCAN will turn on in the display.



**To manually advance the scan cycle**, press the Scan button repeatedly.

**To turn off the scan mode**, press the Display button; the scan indicator and the word SCAN will turn off.

You can also customize the scan mode to display only the desired workout information in the repeating cycle.

**To customize the scan mode**, first press the Display button repeatedly until the workout information that you want to add to or remove from the scan cycle appears in the display.

Next, press the +/- button (G) to add or remove that workout information from the scan cycle. **When workout information is added**, its indicator will turn on in the display. **When workout information is removed**, its indicator will turn off.

Then, press the Scan button to turn on the scan mode.

## 7. Pause or end the workout.

To pause the workout, first **step onto the foot rails**. Next, press the Stop button. The walking belt will stop and the time will flash in the display.

To continue the workout, press the Start button or one of the speed buttons.

To end the workout and reset the display to zero, first **step onto the foot rails**. Next, press the Stop button twice. The word DONE will appear in the display, and then your workout results will be shown. Press the Stop button a third time to reset the display to zero.

## 8. When you are finished using the treadmill, turn off the console.

See HOW TO TURN OFF THE CONSOLE on page 17.

## HOW TO USE AN iFIT WORKOUT

The console offers access to a large and varied library of iFIT workouts when you download the iFIT app to your smart device and connect it to the console.

Note: The console supports Bluetooth® connections to smart devices via the iFIT app and to compatible heart rate monitors. Other Bluetooth connections are not supported.

### 1. Download and install the iFIT app on your smart device.

On your iOS® or Android™ smart device, open the App Store<sup>SM</sup> or the Google Play™ store, search for the free iFIT app, and then install the app on your smart device. Make sure that the Bluetooth option is enabled on your smart device.

Then, open the iFIT app and follow the instructions to set up an iFIT account and customize settings.

**Take time to explore the iFIT app and learn about its features and settings.**

### 2. Get ready for the workout.

**To use a heart rate monitor**, see HOW TO USE AN OPTIONAL HEART RATE MONITOR on page 23.

Note: If you are connecting both your heart rate monitor and your smart device to the console, **you must connect your heart rate monitor before you connect your smart device.**

**To use the sound system**, see HOW TO USE THE SOUND SYSTEM on page 23.

### 3. Connect your smart device to the console.

Press the iFIT Sync button on the console; the console pairing number will appear in the display. Then, follow the instructions in the iFIT app to connect your smart device to the console.

When a connection is established, the LED on the console will turn solid blue.

### 4. Select an iFIT workout.

In the iFIT app, touch the buttons at the bottom of the screen to select either the home screen (Home button) or the workout library (Browse button).

To select a workout from the home screen or the workout library, simply touch the desired workout button on the screen. Slide or flick the screen to scroll as necessary.

When you select a workout, the screen will show an overview of the workout that includes details such as the duration and distance of the workout and the approximate number of calories you will burn during the workout.

### 5. Start the workout.

Touch *Start Workout* to start the workout.

During some workouts, an iFIT trainer will guide you through an immersive video workout. Touch the screen in any open space to view and select music, trainer voice, and volume options for the workout.

During some workouts, the screen will show a map of the route and a marker indicating your progress. Touch the buttons on the screen to select the desired map options.

If the speed or incline setting for the current segment of the workout is too high or too low, you can manually override the setting by pressing the speed and incline buttons on the console.

To return to the programmed speed and incline settings of the workout, touch *Follow Trainer*.

**Note: The calorie goal shown in the workout description is an estimate of the number of calories that you will burn during the workout. The actual number of calories that you burn will depend on various factors, such as your weight. In addition, if you manually change the speed or incline during the workout, the number of calories you burn will be affected.**

## 6. Pause or end the workout.

To pause the workout, simply touch the screen or press the Stop button on the console. To continue the workout, touch the play symbol on the screen, or press the Start button on the console.

To end the workout, touch the screen to pause the workout, and then follow the prompts on the screen to end the workout and return to the home screen.

When the workout ends, a workout summary will appear on the screen. If desired, you can select options such as adding the workout to your schedule or adding the workout to your favorites list. Then, touch *Finish* to return to the home screen.

## 7. Disconnect your smart device from the console.

To disconnect your smart device from the console, first select the disconnect option in the iFIT app. Then, press and hold the iFIT Sync button on the console until the LED on the console turns solid green.

**Note:** All Bluetooth connections between the console and other devices (including any smart devices, heart rate monitors, and so forth) will be disconnected.

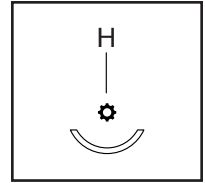
## 8. When you are finished using the treadmill, turn off the console.

See HOW TO TURN OFF THE CONSOLE on page 17.

## HOW TO CHANGE CONSOLE SETTINGS

### 1. Select the settings mode.

To select the settings mode, press the settings button (H). The first settings screen will appear in the display. **Note:** If you have selected a workout, you may need to press the Stop button repeatedly to return to the main menu before selecting the settings mode.



### 2. Navigate the settings mode.

While the settings mode is selected, you can navigate through several settings screens. Press the Stop button repeatedly to select the desired settings screen.

### 3. Change settings as desired.

**Unit of Measurement**—The currently selected unit of measurement may appear in the display. The console can show speed and distance in standard or metric units of measurement. To change the unit of measurement, press the Speed increase button repeatedly. To view workout information in standard units, select STD. To view workout information in metric units, select MET.



**Software Version Number**—The software version number will appear in the display.

**Incline System Calibration**—The letters CAL will appear in the display. If the incline system is not functioning properly, it may need to be calibrated. To calibrate the incline system, press the Incline increase or decrease button. The frame will automatically rise to the maximum incline level, lower to the minimum level, and then return to the starting position. When the treadmill stops moving, the incline system is calibrated.



**IMPORTANT:** Keep pets, feet, and other objects away from the treadmill while the incline system is calibrating. In an emergency, remove the key from the console to stop the calibration operation.

**Note:** The incline system may occasionally calibrate automatically when you turn on the treadmill. Wait for the frame to stop moving before you attempt to use the treadmill.

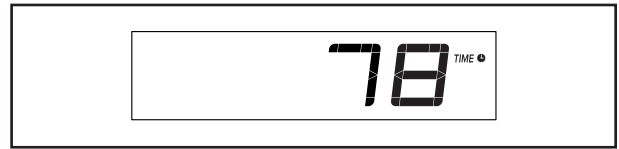
**Display Test**—This screen is intended to be used by service technicians to identify whether the display is working correctly.

**Button Test**—This screen is intended to be used by service technicians to identify whether a certain button is working correctly.

**Demo Mode**—The currently selected demo mode option will appear in the display. The console features a demo mode, designed to be used if the treadmill is displayed in a store. If the demo mode is turned on, the console will not turn off and the display will not be reset when you finish exercising. Press the Speed increase button repeatedly to select a demo mode option. To turn on the demo mode, select DON. To turn off the demo mode, select DOFF.



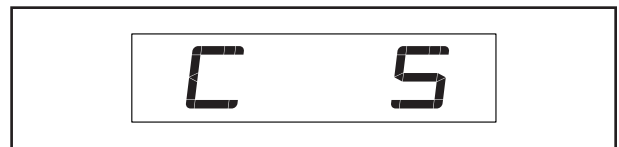
**Total Time**—The word TIME will appear in the display. The display will show the total number of hours that the treadmill has been used.



**Total Distance**—The letters MI or KM will appear in the display. The display will show the total distance (in miles or kilometers) that the walking belt has moved.

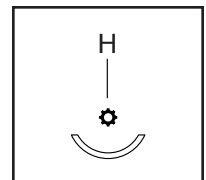


**Contrast Level**—The currently selected contrast level will appear in the display. Press the Incline increase and decrease buttons to adjust the contrast level.



#### 4. Exit the settings mode.

Press the settings button (H) to exit the settings mode.



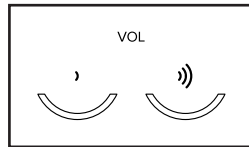
## HOW TO USE THE SOUND SYSTEM

1. **Make sure that your device's Bluetooth setting is turned on, and hold your device near the console.**
2. **Press and hold the Bluetooth Audio button on the console for 3 seconds.**

A tone will sound and the Bluetooth button will begin flashing to indicate that the console has entered pairing mode.

3. **Pair your device to the console.**

Once your device and the console pair successfully, the audio from your device will play through the console speakers. To adjust the volume, press the Vol increase and decrease buttons on the console or use the volume control on your personal audio player.



Note: The console can save multiple devices in its memory. If you have previously paired your device to the console, you can simply press the Bluetooth Audio button to connect your device to the console.

4. **Erase the console's device memory if necessary.**

If you need to erase all the Bluetooth-enabled devices saved in the console's memory, press and hold the Bluetooth Audio button for 10 seconds

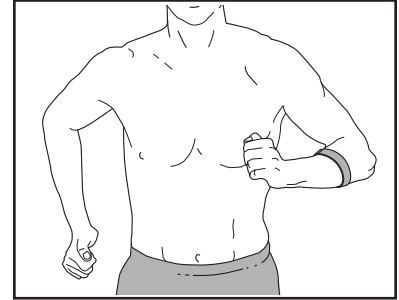
## HOW TO USE THE CHARGING PORT

The console features a charging port to charge USB-C compatible devices, such as smartphones and tablets, while you exercise.

To use the charging port, plug a USB-C charging cable (not included) into the receptacle on your device and into the charging port on the right side of the console; **make sure that the USB-C charging cable is fully plugged in.** Note: The charging port cannot be used to view or transfer data or to play music through the console sound system.

## HOW TO USE AN OPTIONAL HEART RATE MONITOR

Whether your goal is to burn fat or to strengthen your cardiovascular system, the key to achieving the best results is to maintain the proper heart rate during your workouts. The optional



heart rate monitor will enable you to continuously monitor your heart rate while you exercise, helping you to reach your personal fitness goals. **To purchase an optional heart rate monitor, please see the front cover of this manual.**

The console is compatible with all Bluetooth® Smart heart rate monitors.

**To connect your Bluetooth Smart heart rate monitor to the console,** press the iFIT Sync button on the console; the console pairing number will appear in the display. When your heart rate monitor is connected, the LED on the console will flash red twice. Note: If there is more than one compatible heart rate monitor near the console, the console will connect to the heart rate monitor with the strongest signal.

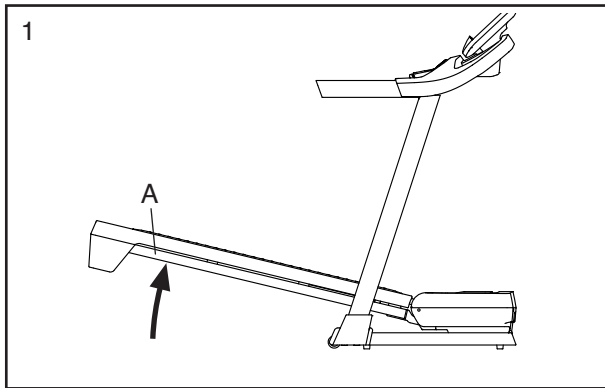
**To disconnect your heart rate monitor from the console,** press and hold the iFIT Sync button on the console until the LED on the console turns solid green. Note: All Bluetooth connections between the console and other devices (including any smart devices, heart rate monitors, and so forth) will be disconnected.

# HOW TO FOLD AND MOVE THE TREADMILL

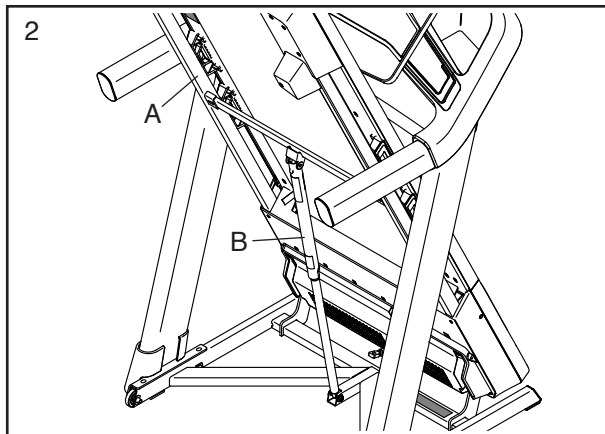
## HOW TO FOLD THE TREADMILL

Before folding the treadmill, adjust the incline of the treadmill to 0% to avoid damaging the treadmill. Then, remove the key and unplug the power cord. **CAUTION: You must be able to safely lift 45 lbs. (20 kg) to raise, lower, or move the treadmill.**

1. Hold the metal frame (A) firmly in the location shown by the arrow below. **CAUTION: Do not hold the frame by the plastic foot rails. Bend your legs and keep your back straight.** Raise the frame about halfway to the vertical position.



2. Raise the frame (A) until the storage latch (B) locks in the storage position. **CAUTION: Make sure that the storage latch locks.**

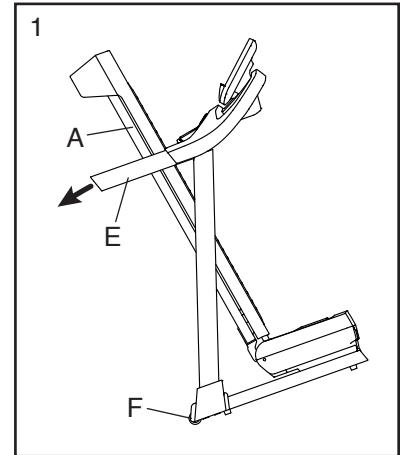


To protect the floor or carpet, place a mat under the treadmill. Keep the treadmill out of direct sunlight. Do not leave the treadmill in the storage position in temperatures above 85°F (30°C).

## HOW TO MOVE THE TREADMILL

Before moving the treadmill, fold it as described at the left. **CAUTION: Make sure that the latch pin (D) is inside of the catch (C).** Moving the treadmill may require two people. Take any necessary measures to avoid damaging your floor.

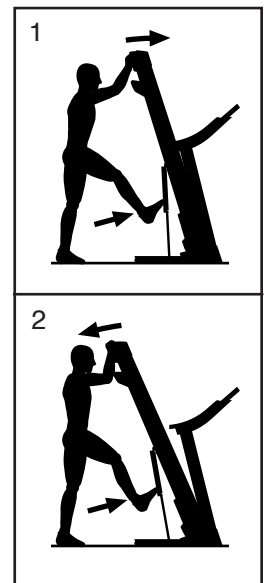
1. Hold the frame (A) and one of the handrails (E), and place one foot against a wheel (F).



2. Pull back on the handrail (E) until the treadmill will roll on the wheels (F), and carefully move the treadmill to the desired location. **CAUTION: Do not move the treadmill without tipping it back, do not pull on the frame (A), and do not move the treadmill over an uneven surface.**
3. Place one foot against a wheel (F), and carefully lower the treadmill.

## HOW TO LOWER THE TREADMILL FOR USE

1. Push the upper end of the frame forward, and gently press the upper part of the storage latch with your foot at the same time.
2. While pressing the storage latch with your foot, pull the upper end of the frame toward yourself.
3. Step back and let the frame descend to the floor.



# MAINTENANCE AND TROUBLESHOOTING

## MAINTENANCE

Regular maintenance is important for optimal performance and to reduce wear. Inspect and properly tighten all parts each time the treadmill is used.

**Replace any worn parts immediately.** Use only manufacturer-supplied parts.

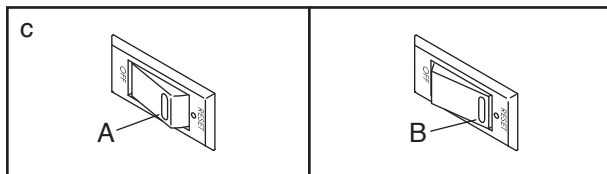
Regularly clean the treadmill and keep the walking belt clean and dry. First, **press the power switch into the off position and unplug the power cord.** Wipe exterior parts of the treadmill with a damp cloth and a small amount of mild soap. **IMPORTANT: Do not spray liquids directly onto the treadmill. To avoid damage to the console, keep liquids away from the console.** Then, thoroughly dry the treadmill with a soft towel.

## TROUBLESHOOTING

**Most treadmill problems can be solved by following the simple steps below. Find the symptom that applies, and follow the steps listed. If further assistance is needed, see the front cover of this manual.**

### **SYMPTOM: The power does not turn on**

- If an extension cord is needed, use only a 3-conductor, 14-gauge (2 mm<sup>2</sup>) cord that is no longer than 5 ft. (1.5 m).
- After the power cord has been plugged in, make sure that the key is inserted into the console.
- Check the power switch located on the treadmill frame near the power cord. If the switch protrudes as shown (A), the switch has tripped. To reset the power switch, wait for five minutes and then press the switch back in (B).



### **SYMPTOM: The power turns off during use**

- Check the power switch (see drawing c above). If the switch has tripped, wait for five minutes and then press the switch back in.
- Make sure that the power cord is plugged in. If the power cord is plugged in, unplug it, wait for five minutes, and then plug it back in.
- Remove the key from the console, and then reinsert it.
- If the treadmill still will not run, please see the front cover of this manual.

### **SYMPTOM: The console displays remain lit when you remove the key from the console**

- The console features a display demo mode, designed to be used if the treadmill is displayed in a store. See HOW TO CHANGE CONSOLE SETTINGS on pages 21 and 22 to check your console settings and turn off the demo mode if needed.

### **SYMPTOM: The treadmill makes a squeaking noise during use**

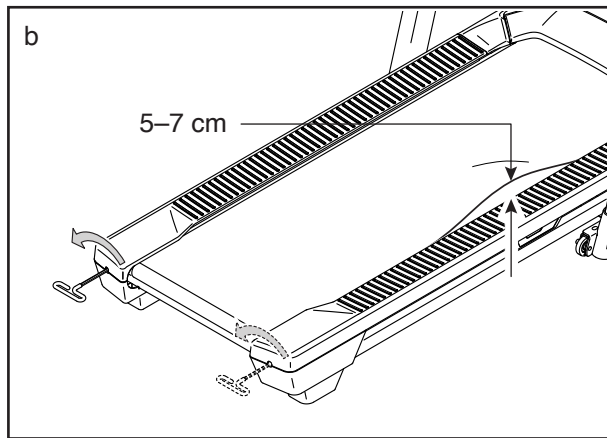
- See assembly step 4 on page 9 and retighten the screws securing the uprights.

### **SYMPTOM: The incline of the treadmill does not change correctly**

- See HOW TO CHANGE CONSOLE SETTINGS on pages 21 and 22 and calibrate the incline system.

**SYMPTOM: The walking belt slows when walked on**

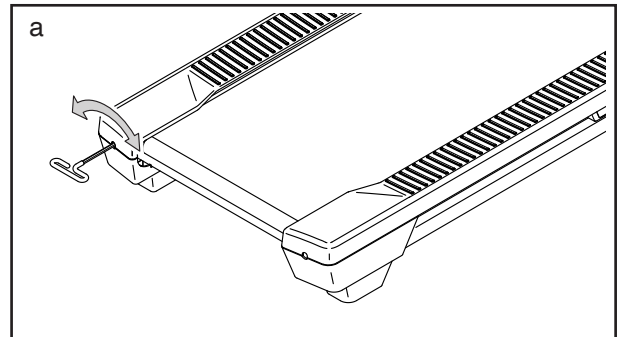
- a. If an extension cord is needed, use only a 3-conductor, 14-gauge (2 mm<sup>2</sup>) cord that is no longer than 5 ft. (1.5 m).
- b. If the walking belt is overtightened, treadmill performance may decrease and the walking belt may become damaged. Remove the key and **UNPLUG THE POWER CORD**. Using the hex key, turn both idler roller screws counterclockwise, 1/4 of a turn. When the walking belt is properly tightened, you should be able to lift each edge of the walking belt 2 to 3 in. (5 to 7 cm) off the walking platform. **Be careful to keep the walking belt centered.** Then, plug in the power cord, insert the key, and walk on the treadmill for a few minutes. Repeat until the walking belt is properly tightened.



- c. Your treadmill features a walking belt coated with high-performance lubricant. **IMPORTANT: Never apply silicone spray or other substances to the walking belt or the walking platform unless instructed to do so by an authorized service representative. Such substances may deteriorate the walking belt and cause excessive wear.** If you suspect that the walking belt needs more lubricant, please see the front cover of this manual.
- d. If the walking belt still slows when walked on, please see the front cover of this manual.

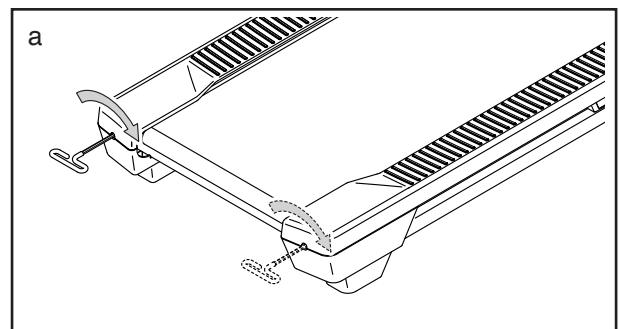
**SYMPTOM: The walking belt is off-center**

- a. First, remove the key and **UNPLUG THE POWER CORD**. **If the walking belt has shifted to the left,** use the hex key to turn the left idler roller screw clockwise 1/2 of a turn; **if the walking belt has shifted to the right,** turn the left idler roller screw counterclockwise 1/2 of a turn. **Be careful not to overtighten the walking belt.** Then, plug in the power cord, insert the key, and walk on the treadmill for a few minutes. Repeat until the walking belt is centered.



**SYMPTOM: The walking belt slips when walked on**

- a. First, remove the key and **UNPLUG THE POWER CORD**. Using the hex key, turn both idler roller screws clockwise, 1/4 of a turn. When the walking belt is correctly tightened, you should be able to lift each edge of the walking belt 2 to 3 in. (5 to 7 cm) off the walking platform. **Be careful to keep the walking belt centered.** Then, plug in the power cord, insert the key, and walk on the treadmill for a few minutes. Repeat until the walking belt is properly tightened.



# EXERCISE GUIDELINES

**⚠️ WARNING:** Before beginning this or any exercise program, consult your physician. This is especially important for persons over age 35 or persons with pre-existing health problems.

These guidelines will help you to plan your exercise program. For detailed exercise information, obtain a reputable book or consult your physician. Remember, proper nutrition and adequate rest are essential for successful results.

## EXERCISE INTENSITY

Whether your goal is to burn fat or to strengthen your cardiovascular system, exercising at the proper intensity is the key to achieving results. You can use your heart rate as a guide to find the proper intensity level. The chart below shows recommended heart rates for fat burning and aerobic exercise.

165	155	145	140	130	125	115	♥️
145	138	130	125	118	110	103	♥️
125	120	115	110	105	95	90	♥️
<hr/>							
20	30	40	50	60	70	80	

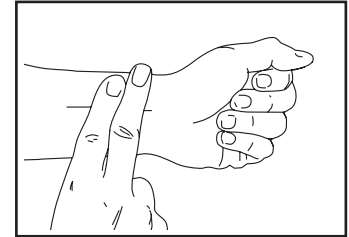
To find the proper intensity level, find your age at the bottom of the chart (ages are rounded off to the nearest ten years). The three numbers listed above your age define your “training zone.” The lowest number is the heart rate for fat burning, the middle number is the heart rate for maximum fat burning, and the highest number is the heart rate for aerobic exercise.

**Burning Fat**—To burn fat effectively, you must exercise at a low intensity level for a sustained period of time. During the first few minutes of exercise, your body uses carbohydrate calories for energy. Only after the first few minutes of exercise does your body begin to use stored fat calories for energy. If your goal is to burn fat, adjust the intensity of your exercise until your heart rate is near the lowest number in your training zone. For maximum fat burning, exercise with your heart rate near the middle number in your training zone.

**Aerobic Exercise**—If your goal is to strengthen your cardiovascular system, you must perform aerobic exercise, which is activity that requires large amounts of oxygen for prolonged periods of time. For aerobic exercise, adjust the intensity of your exercise until your heart rate is near the highest number in your training zone.

## HOW TO MEASURE YOUR HEART RATE

To measure your heart rate, exercise for at least four minutes. Then, stop exercising and place two fingers on your wrist as shown. Take a six-second heartbeat count, and multiply the result by 10 to find your heart rate. For example, if your six-second heartbeat count is 14, your heart rate is 140 beats per minute.



## WORKOUT GUIDELINES

**Warming Up**—Start with 5 to 10 minutes of stretching and light exercise. A warm-up increases your body temperature, heart rate, and circulation in preparation for exercise.

**Training Zone Exercise**—Exercise for 20 to 30 minutes with your heart rate in your training zone. (During the first few weeks of your exercise program, do not keep your heart rate in your training zone for longer than 20 minutes.) Breathe regularly and deeply as you exercise; never hold your breath.

**Cooling Down**—Finish with 5 to 10 minutes of stretching. Stretching increases the flexibility of your muscles and helps to prevent post-exercise problems.

## EXERCISE FREQUENCY

To maintain or improve your condition, complete three workouts each week, with at least one day of rest between workouts. After a few months of regular exercise, you may complete up to five workouts each week, if desired. Remember, the key to success is to make exercise a regular and enjoyable part of your everyday life.

# PART LIST

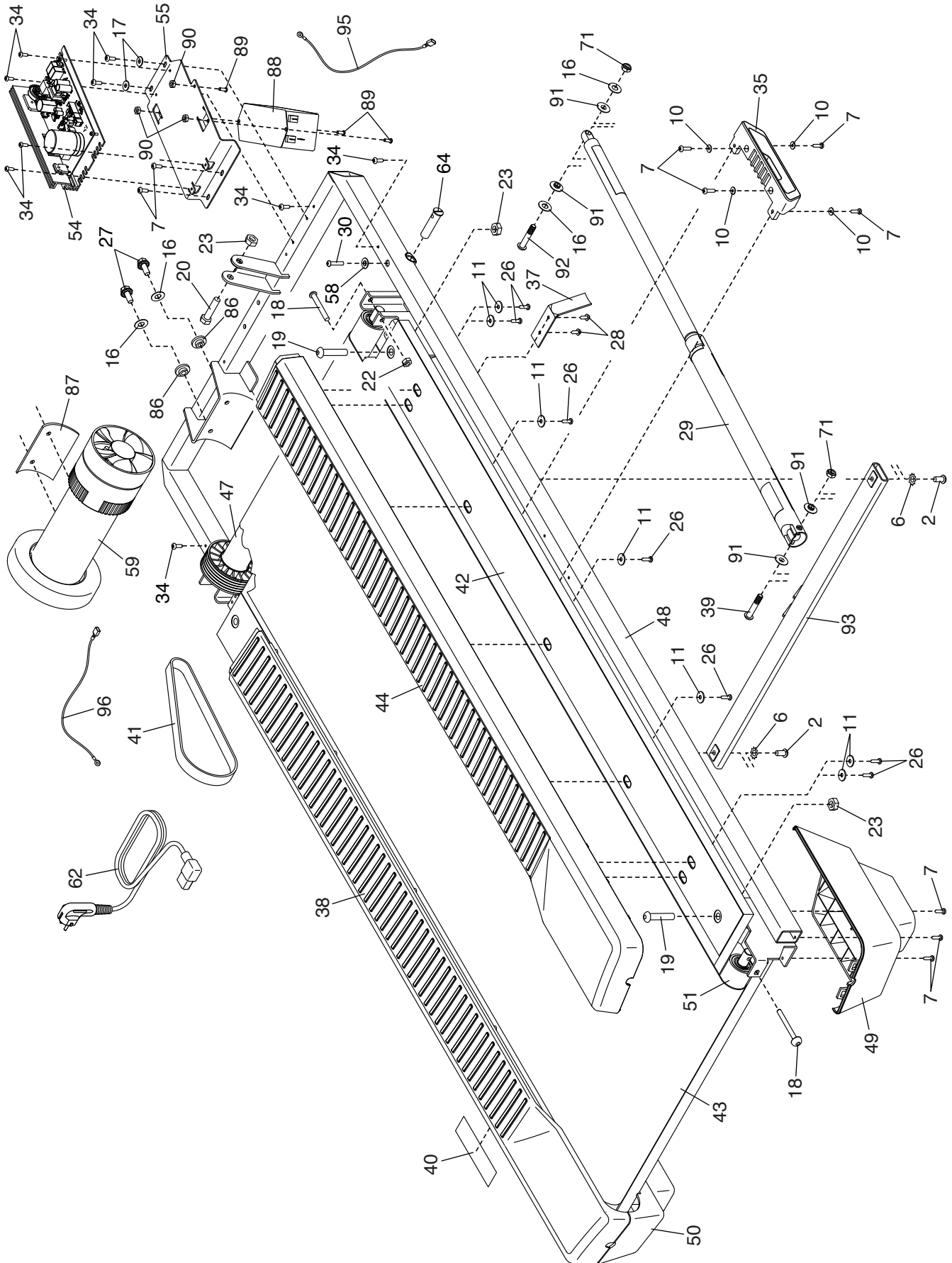
Model No. PFTL59725-INT.0 R0724A

Key No.	Qty.	Description	Key No.	Qty.	Description
1	1	Key/Clip	50	1	Left Rear Foot
2	10	5/16" x 3/4" Screw	51	1	Idler Roller
3	2	3/8" x 1 1/4" Screw	52	1	Motor Hood
4	4	3/8" x 2 3/8" Screw	53	1	Motor Hood Cover
5	6	3/8" Star Washer	54	1	Controller
6	10	5/16" Star Washer	55	1	Controller Bracket
7	40	#8 x 3/4" Screw	56	1	Incline Frame
8	8	#8 x 3/4" Truss Head Screw	57	2	Large Incline Frame Bushing
9	2	3/8" x 1 1/8" Bolt	58	2	Frame Bushing
10	8	Cushion Washer	59	1	Drive Motor
11	14	#8 Washer	60	1	Incline Motor
12	4	Base Pad	61	2	Incline Motor Spacer
13	2	Wheel	62	1	Power Cord
14	11	#8 x 1/2" Screw	63	1	Receptacle
15	6	#8 x 1" Screw	64	2	Incline Frame Pin
16	4	3/8" Thrust Washer	65	1	Power Switch
17	2	#8 Star Washer	66	1	Belly Pan
18	3	Roller Screw	67	5	Hood Clip
19	4	3/8" x 1 1/2" Bolt	68	3	Square Grommet
20	1	3/8" x 2" Bright Bolt	69	1	Crossbar
21	2	Plastic Washer	70	2	Handrail Cap
22	1	M6 Locknut	71	2	5/16" Locknut
23	6	3/8" Locknut	72	1	Left Upright
24	2	3/8" Bright Locknut	73	1	Right Upright
25	1	3/8" x 1 1/2" Hex Bolt	74	1	Upright Wire
26	14	#8 x 5/8" Screw	75	1	Oval Grommet
27	2	1/4" Screw	76	1	Left Upright Cover
28	4	#8 x 7/16" Screw	77	1	Right Upright Cover
29	1	Storage Latch	78	1	Left Console Cover
30	2	Pin Screw	79	1	Right Console Cover
31	1	Ground Wire	80	1	Console Frame
32	1	Left Tray	81	1	Upright Base
33	2	3/8" x 1 3/4" Screw	82	2	Caution Decal
34	11	#8 x 1/2" Truss Head Screw	83	1	Console
35	2	Cushion	84	1	Console Base
36	4	Small Incline Frame Bushing	85	2	Base Cap
37	2	Belt Guide	86	2	Motor Bushing
38	1	Left Foot Rail	87	1	Motor Isolator
39	1	5/16" x 2 1/4" Screw	88	1	Filter
40	1	Warning Decal	89	3	#8 x 1/2" Washer Head Screw
41	1	Motor Belt	90	3	#8 Nut
42	1	Walking Platform	91	4	5/16" Bushing
43	1	Walking Belt	92	1	5/16" x 1 3/4" Bolt
44	1	Right Foot Rail	93	1	Latch Crossbar
45	3	Plastic Tie	94	1	U-bracket
46	1	Right Tray	95	1	Filter Ground Wire
47	1	Drive Roller/Pulley	96	1	Motor Ground Wire
48	1	Frame	*	-	User's Manual
49	1	Right Rear Foot	*	-	Assembly/Adjustment Tool Kit

Note: Specifications are subject to change without notice. For information about ordering replacement parts, see the back cover of this manual. \*These parts are not illustrated.

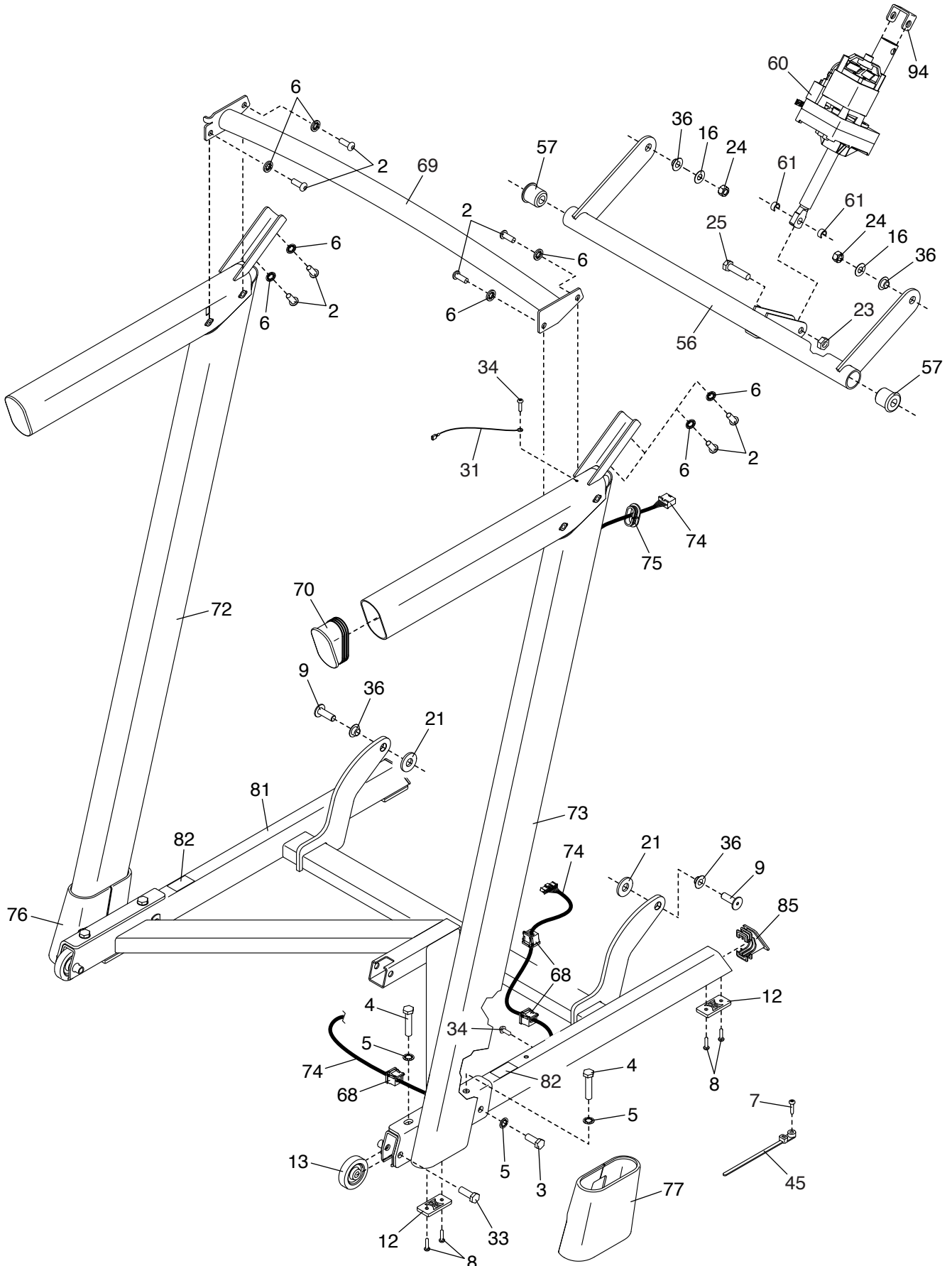
# EXPLODED DRAWING A

Model No. PFTL59725-INT.0 R0724A



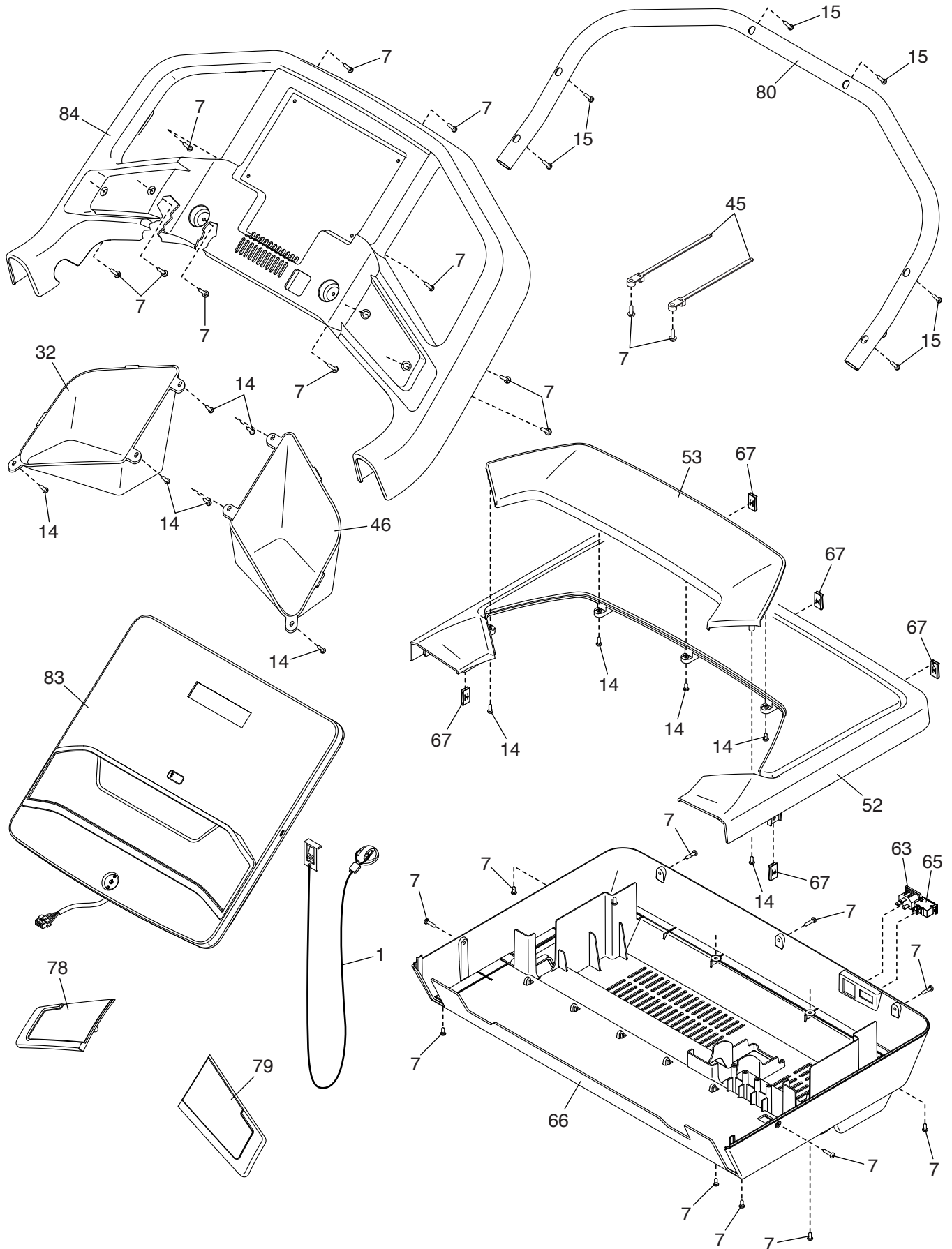
# EXPLODED DRAWING B

Model No. PFTL59725-INT.0 R0724A



# EXPLODED DRAWING C

Model No. PFTL59725-INT.0 R0724A



---

# ORDERING REPLACEMENT PARTS

To order replacement parts, please see the front cover of this manual. To help us assist you, be prepared to provide the following information when contacting us:

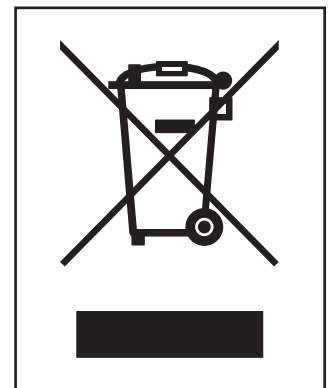
- the model number and serial number of the product (see the front cover of this manual)
- the name of the product (see the front cover of this manual)
- the key number and description of the replacement part(s) (see the PART LIST and the EXPLODED DRAWING near the end of this manual)

---

# RECYCLING INFORMATION

**This electronic product must not be disposed of in municipal waste. To preserve the environment, this product must be recycled after its useful life as required by law.**

Please use recycling facilities that are authorized to collect this type of waste in your area. In doing so, you will help to conserve natural resources and improve European standards of environmental protection. If you require more information about safe and correct disposal methods, please contact your local city office or the establishment where you purchased this product.



---

# UK/EU DECLARATION OF CONFORMITY

PFTL59724-INT contains the BMD-ICN-1 Bluetooth module.

Hereby, iFIT Health & Fitness declares that the radio equipment type BMD-ICN-1 is in compliance with Directive 2014/53/EU and Radio Equipment Regulation 2017.

iFIT Health & Fitness, 1500 S 1000 W, Logan, UT 84320, USA

This declaration of conformity is issued under the sole responsibility of the manufacturer.

Object of the declaration: FCCID OMCBMD1 - Broadcast Frequency: 2.402GHz to 2.480GHz

Transmit Power: +4dBm

Certification: Article 3.1a - Safety EN 62479:2010, EN 62368-1:2014/AC:2015, Article 3.1b – EMC EN 301 489-17 V3.2.4, Article 3.2 – Radio parameters EN 300 328 V2.2.2

UK Representative: ICON Health & Fitness Ltd, Unit 1D The Gateway, Fryers Way, Silkwood Park, Ossett, WF5 9TJ, United Kingdom

EU Representative: iFIT Health & Fitness SAS Business Park, 5 rue Alfred de Vigny 78112 Fourqueux, France

