

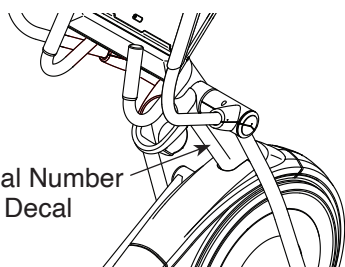
# PRO-FORM<sup>®</sup>

## CARBON EL

Model No. PFEL55925-INT.0

Serial No. \_\_\_\_\_

Write the serial number in the space above for reference.



Serial Number  
Decal

## USER'S MANUAL

### UNITED KINGDOM

**Website:** [iFITsupport.eu](http://iFITsupport.eu)

**E-mail:** [csuk@iconeurope.com](mailto:csuk@iconeurope.com)

**Write:**

iFIT Health & Fitness Limited  
Unit 4, Westgate Court  
Silkwood Park  
OSSETT  
WF5 9TT  
UNITED KINGDOM

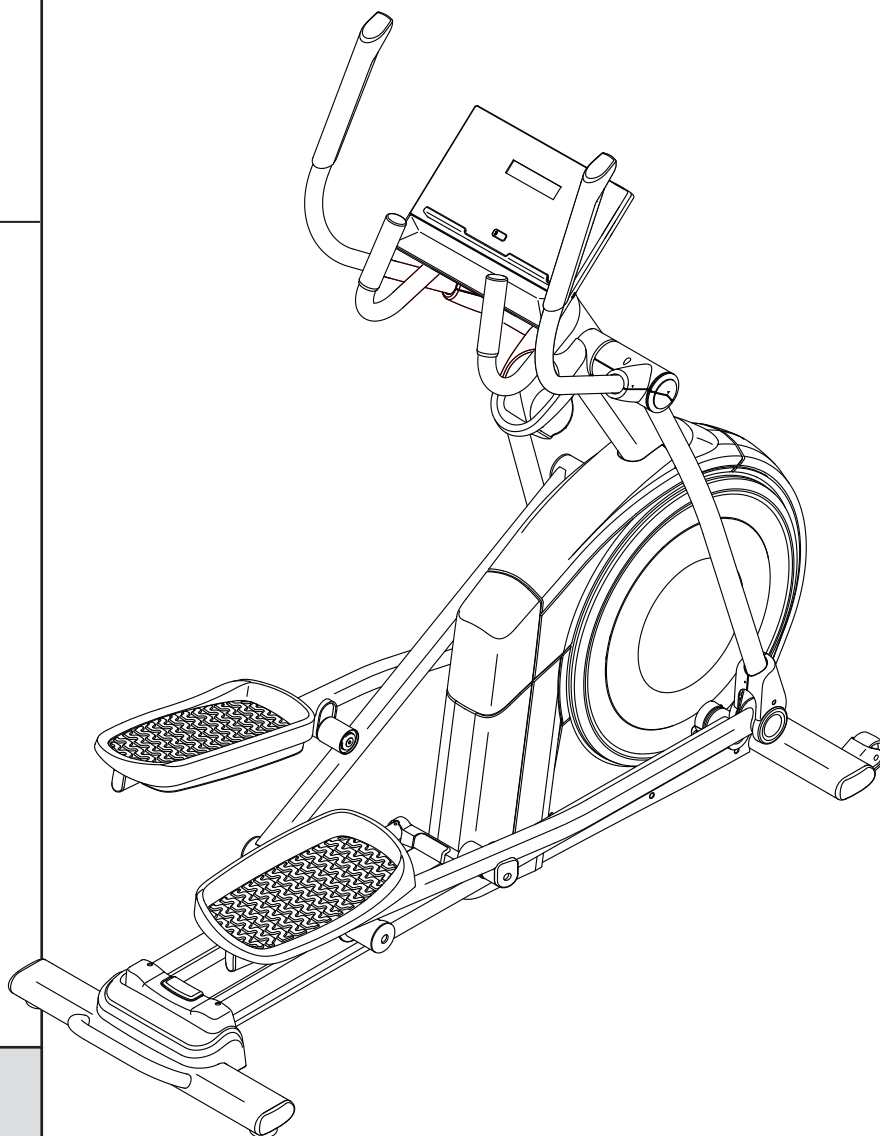
### AUSTRALIA

**Call:** 1800 993 770

**E-mail:** [australiacc@iFIT.com](mailto:australiacc@iFIT.com)

**Write:**

iFIT Inc.  
PO Box 635  
WINSTON HILLS NSW 2153  
AUSTRALIA



## CAUTION

Read all precautions and instructions in this manual before using this equipment. Keep this manual for future reference.

# TABLE OF CONTENTS

WARNING DECAL PLACEMENT ..... 2

IMPORTANT PRECAUTIONS..... 3

BEFORE YOU BEGIN..... 4

PART IDENTIFICATION CHART..... 5

ASSEMBLY..... 6

HOW TO USE THE ELLIPTICAL ..... 16

HOW TO USE THE CONSOLE..... 18

MAINTENANCE AND TROUBLESHOOTING..... 25

EXERCISE GUIDELINES ..... 27

PART LIST..... 31

EXPLODED DRAWING ..... 33

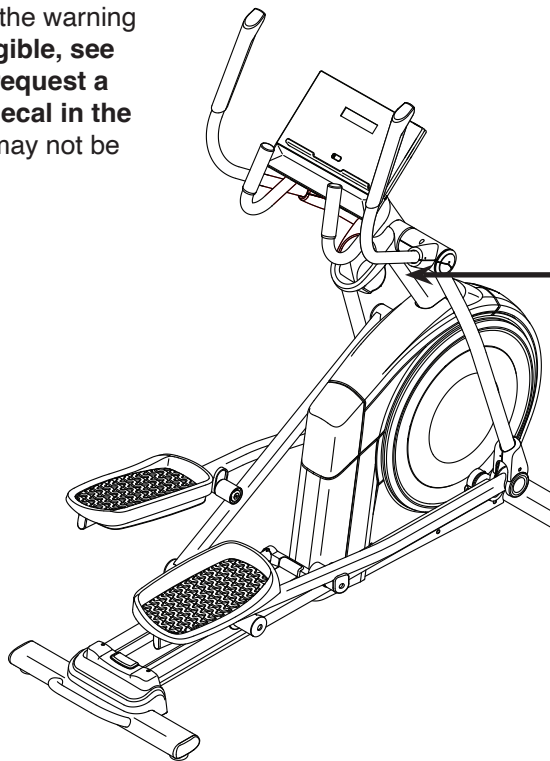
ORDERING REPLACEMENT PARTS ..... Back Cover

RECYCLING INFORMATION..... Back Cover

UK/EU DECLARATION OF CONFORMITY ..... Back Cover

## WARNING DECAL PLACEMENT

This drawing shows the location(s) of the warning decal(s). **If a decal is missing or illegible, see the front cover of this manual and request a free replacement decal. Apply the decal in the location shown.** Note: The decal(s) may not be shown at actual size.



**⚠ WARNING**

- Misuse may result in serious injury.
- Read user's manual prior to use and follow all warnings and instructions.
- Do not allow children on or around.
- Not suitable for high accuracy purposes.
- Always use on a level surface.
- Pedals continue to spin when you stop pedaling.
- Spinning pedals can cause injury.
- Reduce pedal speed in a controlled manner.
- Stop pedals and use care when mounting or dismounting.
- User weight must not exceed 275 lbs./125 kg.
- Replace this label if damaged, illegible or removed.

PROFORM and IFIT are registered trademarks of iFIT Inc. App Store is a trademark of Apple Inc., registered in the U.S. and other countries. Android and Google Play are trademarks of Google LLC. The Bluetooth® word mark and logos are registered trademarks of Bluetooth SIG, Inc. and are used under license. IOS is a trademark or registered trademark of Cisco in the U.S. and other countries and is used under license.

# IMPORTANT PRECAUTIONS

**⚠ WARNING:** To reduce the risk of serious injury, read all important precautions and instructions in this manual and all warnings on the elliptical before using the elliptical. iFIT assumes no responsibility for personal injury or property damage sustained by or through the use of this product.

1. It is the responsibility of the owner to ensure that all users of the elliptical are adequately informed of all precautions.
2. Keep children under age 16 and pets away from the elliptical at all times.
3. Consult your health care provider before beginning any exercise program. This is especially important for persons over age 35 or persons with pre-existing health problems.
4. Consult your health care provider before beginning or continuing any exercise program during pregnancy. Use the elliptical only as authorized by your health care provider.
5. The elliptical is not intended for use by persons with reduced physical, sensory, or mental capabilities or lack of experience and knowledge, unless they are given supervision or instruction about the use of the elliptical by someone responsible for their safety.
6. Use the elliptical only as described in this manual.
7. The elliptical is intended for home use only. Do not use the elliptical in a commercial, rental, or institutional setting.
8. Keep the elliptical indoors, away from moisture and dust. Do not put the elliptical in a garage or covered patio, or near water.
9. Place the elliptical on a level surface, with at least 3 ft. (0.9 m) of clearance in the front and rear of the elliptical and 2 ft. (0.6 m) on each side. To protect the floor or carpet from damage, place a mat under the elliptical.
10. Inspect and properly tighten all parts each time the elliptical is used. Replace any worn parts immediately. Use only manufacturer-supplied parts.
11. Always plug the power adapter into the elliptical before you plug it into an outlet.
12. The elliptical should not be used by persons weighing more than 275 lbs. (125 kg).
13. Wear appropriate clothes while exercising; do not wear loose clothes that could become caught on the elliptical. Always wear athletic shoes for foot protection while exercising.
14. Hold the handlebars or the upper body arms when mounting, dismounting, or using the elliptical. Before mounting or dismounting, bring the pedals to a stop with the pedal on the mounting or dismounting side in its lowest position.
15. The elliptical does not have a freewheel; the pedals will continue to move until the flywheel stops. Reduce your pedaling speed in a controlled way.
16. Keep your back straight while using the elliptical; do not arch your back.
17. Over exercising may result in serious injury or death. If you feel faint, if you become short of breath, or if you experience pain while exercising, stop immediately and cool down.

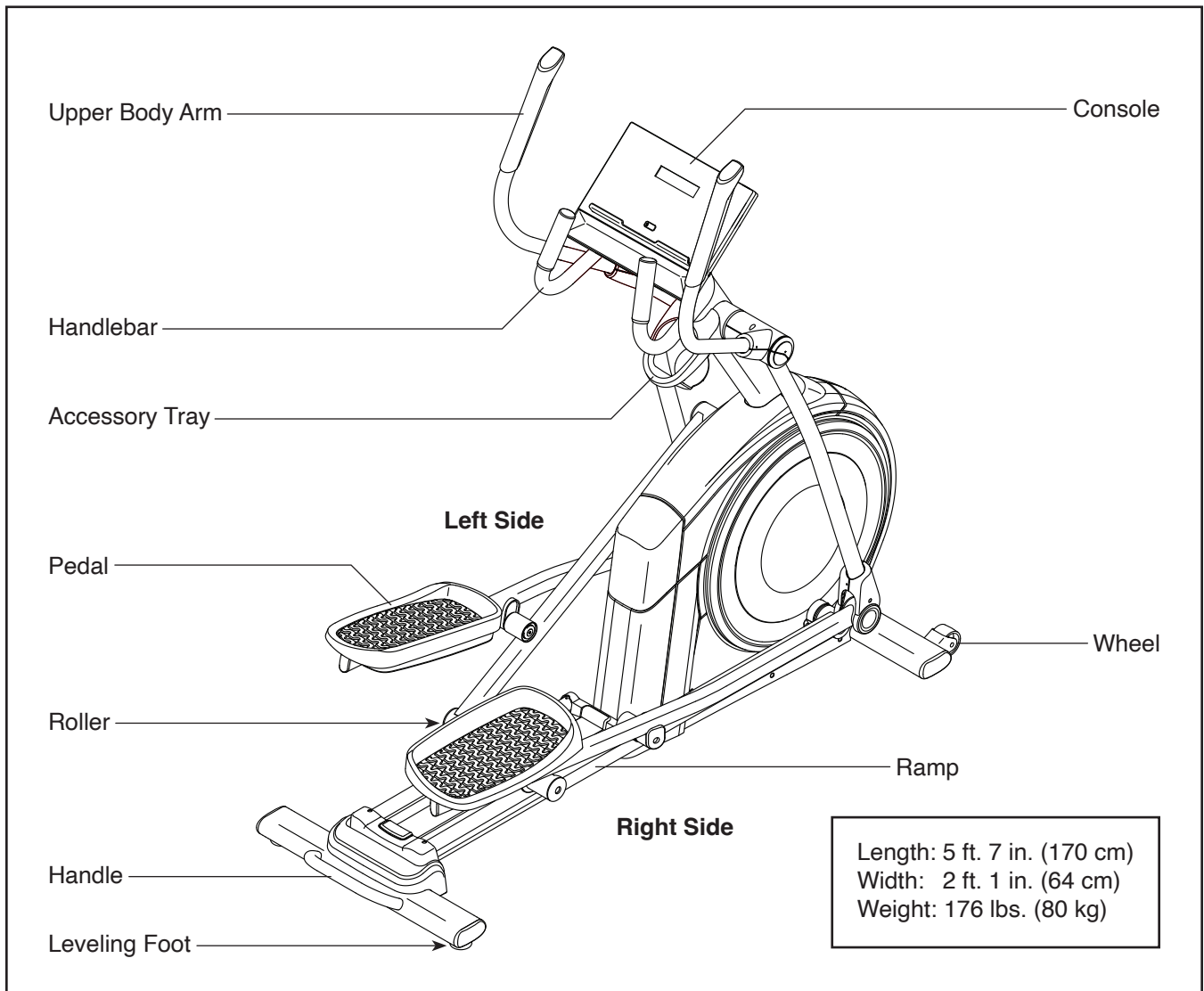
# BEFORE YOU BEGIN

Thank you for selecting the revolutionary PROFORM® CARBON EL elliptical. The CARBON EL elliptical provides an impressive selection of features designed to make your workouts at home more effective and enjoyable.

**For your benefit, read this manual carefully before you use the elliptical.** If you have questions after

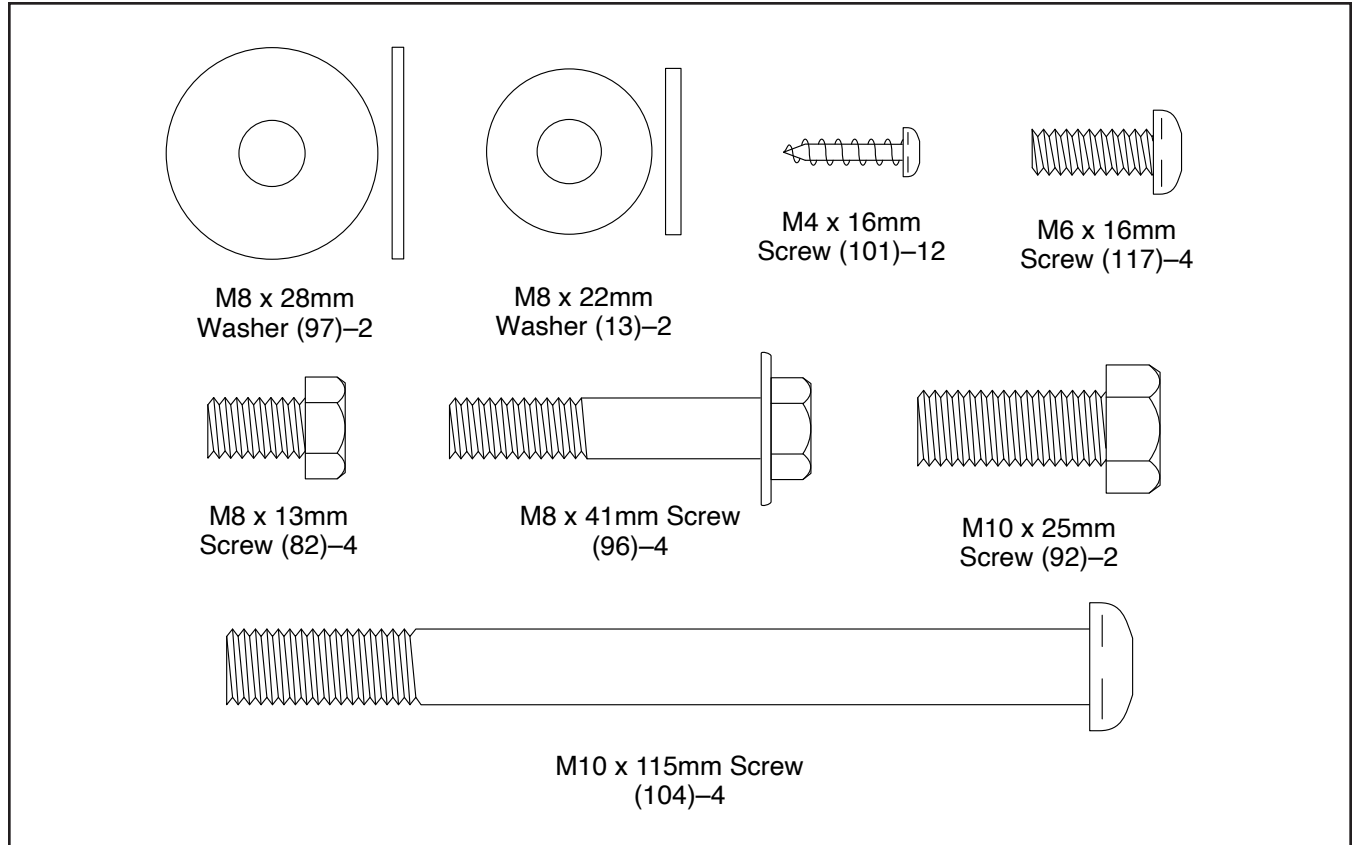
reading this manual, please see the front cover of this manual. To help us assist you, note the product model number and serial number before contacting us (see the front cover of this manual).

Before reading further, please familiarize yourself with the parts that are labeled in the drawing below.



# PART IDENTIFICATION CHART

Use the drawings below to identify the small parts used for assembly. The number in parentheses below each drawing is the key number of the part, from the PART LIST near the end of this manual. The number after the key number is the quantity used for assembly. **Note: If a part is not in the hardware kit, check to see whether it has been preassembled. Extra parts may be included.**



# ASSEMBLY

- Assembly requires two persons.
- Place all parts in a cleared area and remove the packing materials. Do not dispose of the packing materials until you finish all assembly steps.
- Left parts are marked “L” or “Left” and right parts are marked “R” or “Right.”
- Assembly can be completed using the included tools. Note: Your own rubber mallet may also be helpful; however, be careful to not break plastic parts with the rubber mallet. Keep the included tools. One or more of the tools may be needed to make adjustments in the future.
- To avoid damaging parts, do not use power tools for assembly or adjustment.

1. **To register your product and activate your warranty in the UK**, go to [iFITsupport.eu](http://iFITsupport.eu). If you do not have internet access, complete the warranty registration card in the warranty booklet and send it by registered post to the address on the back cover of the warranty booklet.

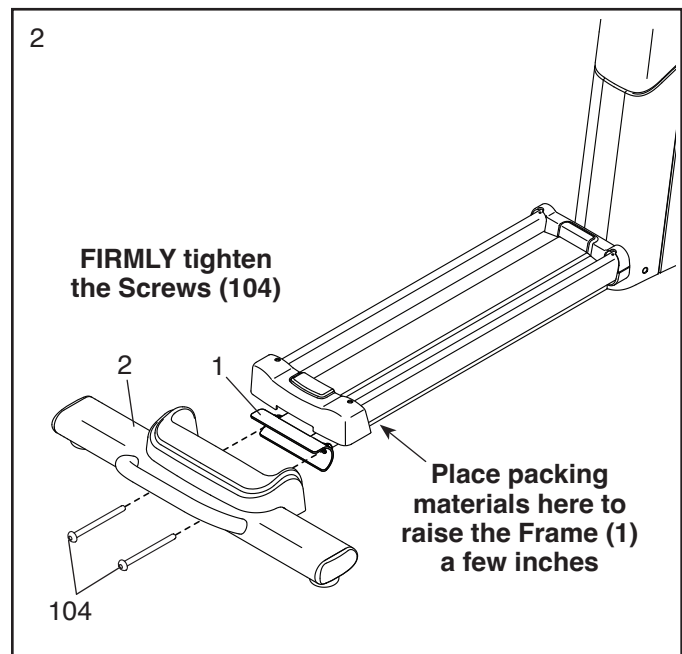
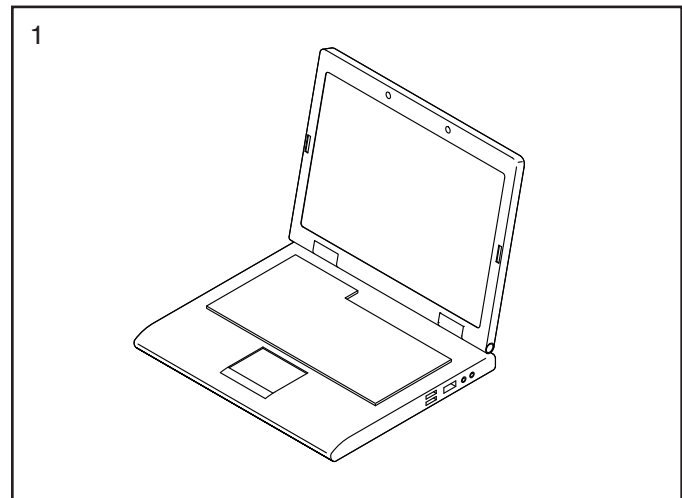
**To register your product and activate your warranty in Australia**, email or post the following information to the email address or postal address on the front cover of this manual.

- your receipt (make sure to keep a copy)
- your name, address, and telephone number
- the model number, serial number, and name of your product (see the front cover of this manual)

2. With the help of a second person, place some of the packing materials (not shown) under the rear of the Frame (1) to raise it a few inches. **Have the second person hold the elliptical to prevent it from tipping while you complete this step.**

Next, attach the Rear Stabilizer (2) with two M10 x 115mm Screws (104); **FIRMLY tighten the Screws.**

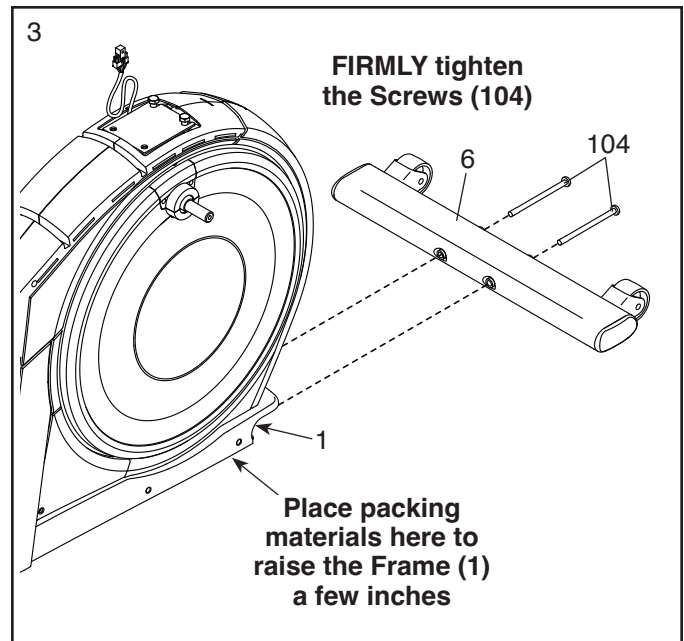
Then, remove the packing materials under the Frame (1).



3. With the help of a second person, place some of the packing materials (not shown) under the front of the Frame (1).

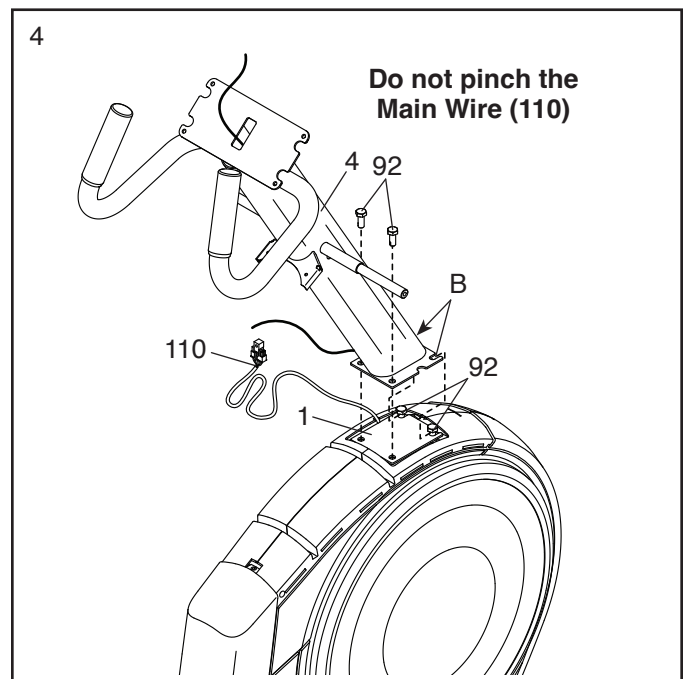
Next, orient the Front Stabilizer (6) so the wheels are on the front and are facing the floor. Attach the Front Stabilizer with two M10 x 115mm Screws (104); **FIRMLY tighten the Screws**.

Then, remove the packing materials under the Frame (1).



4. **Do not pinch the Main Wire (110)**. Have a second person slide the slots (B) in the Upright (4) onto the two M10 x 25mm Screws (92) preattached to the Frame (1); **do not remove the Screws**.

Attach the Upright (4) with two additional M10 x 25mm Screws (92). **Do not fully tighten the Screws yet**.

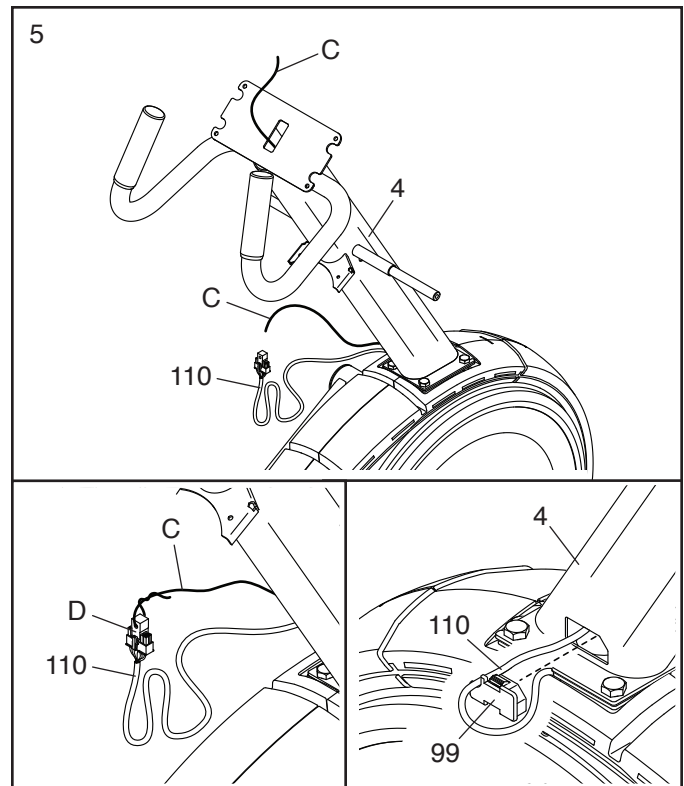


5. Locate the wire tie (C) in the Upright (4).

**See the left inset drawing.** Tie the lower end of the wire tie (C) to the wire pull (D) on the Main Wire (110).

Then, pull the upper end of the wire tie (C) until the Main Wire (110) is routed through the Upright (4).

**See the right inset drawing.** Route the Main Wire (110) through the notch in the Grommet (99) as shown, and then press the Grommet into the Upright (4).

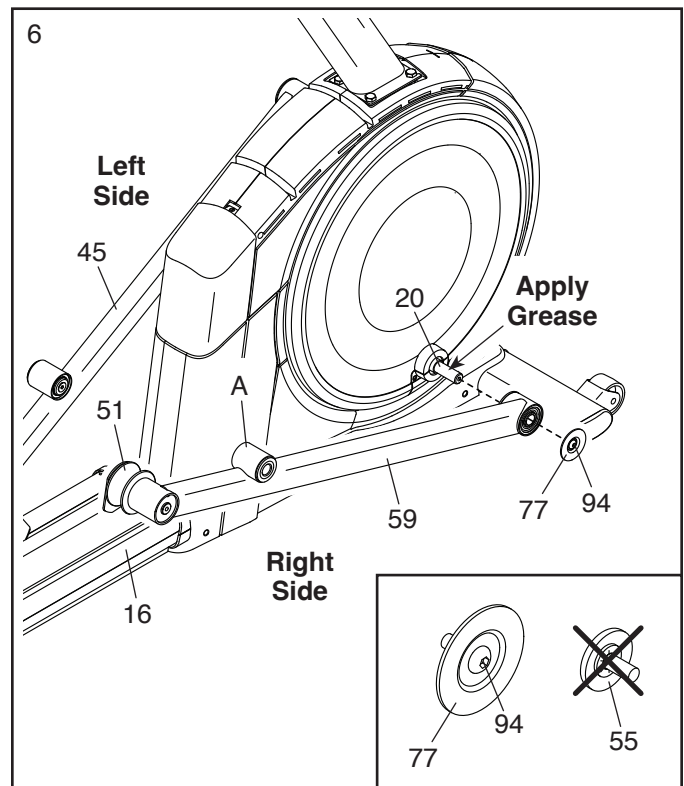


6. Using a plastic bag to keep your fingers clean, apply a thin coat of the included grease to the axle on the right Crank Arm (20).

Next, identify the Right Roller Arm (59) and **orient it so the welded tube (A) is on top and the Roller (51) is facing the elliptical**. Slide the Right Roller Arm onto the axle on the right Crank Arm (20), and **set the Roller on the Track (16)**.

Attach the Right Roller Arm (59) with an M8 x 20mm Screw (94) and a Large Crank Cover (77). Note: The Screw is preattached to the Large Crank Cover. **IMPORTANT: Do not use the Small Retainer (55) for this step.**

**Repeat this step with the Left Roller Arm (45) on the left side of the elliptical.**



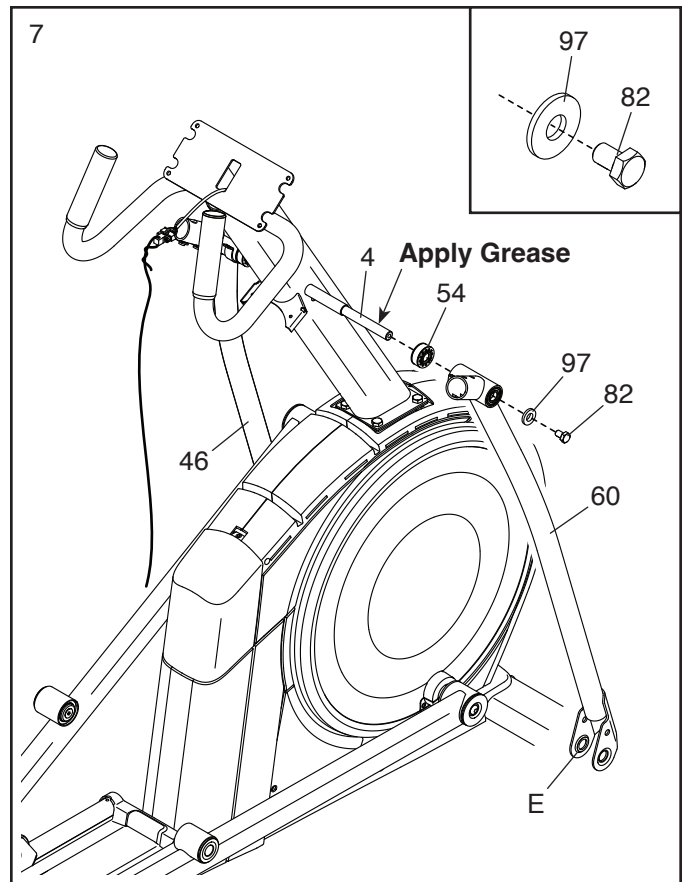
7. Apply a thin coat of grease to the axle on the right side of the Upright (4).

Next, slide a Pivot Spacer (54) onto the axle.

Then, identify the Right Upper Body Leg (60), orient it so the bracket (E) is on the side shown, and slide it onto the axle.

Attach the Right Upper Body Leg (60) with an M8 x 13mm Screw (82) and an M8 x 28mm Washer (97).

**Repeat this step to attach the Left Upper Body Leg (46) on the left side of the elliptical.**



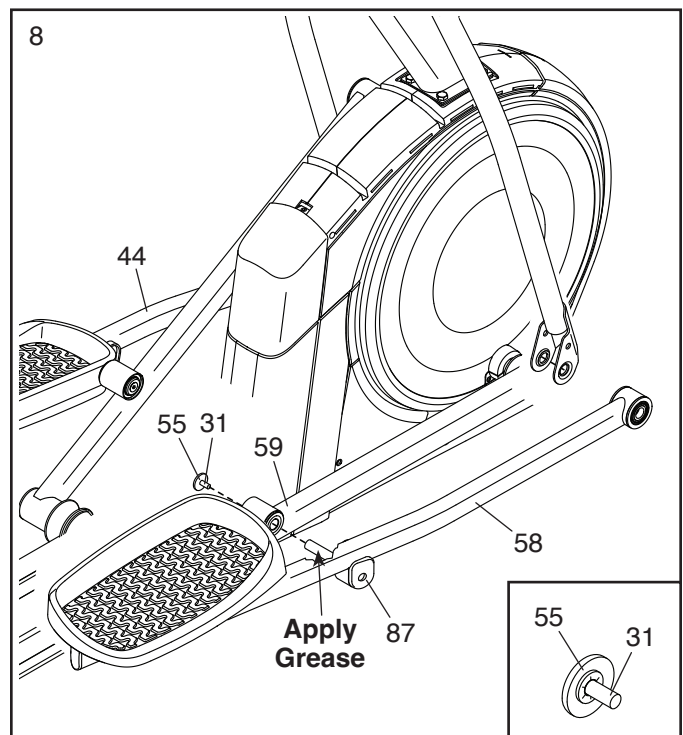
8. Identify the Right Pedal Arm (58) and orient it as shown.

Next, apply a thin coat of grease to the axle on the Right Pedal Arm (58).

Then, insert the axle on the Right Pedal Arm (58) into the Right Roller Arm (59). **IMPORTANT: Do not hit the Side Cap (87) with a rubber mallet to insert the axle; the Side Cap will break.**

Attach the Right Pedal Arm (58) with an M8 x 20mm Flat Head Screw (31) and a Small Retainer (55). Note: The Flat Head Screw is preattached to the Small Retainer.

**Repeat this step to attach the Left Pedal Arm (44) on the left side of the elliptical.**



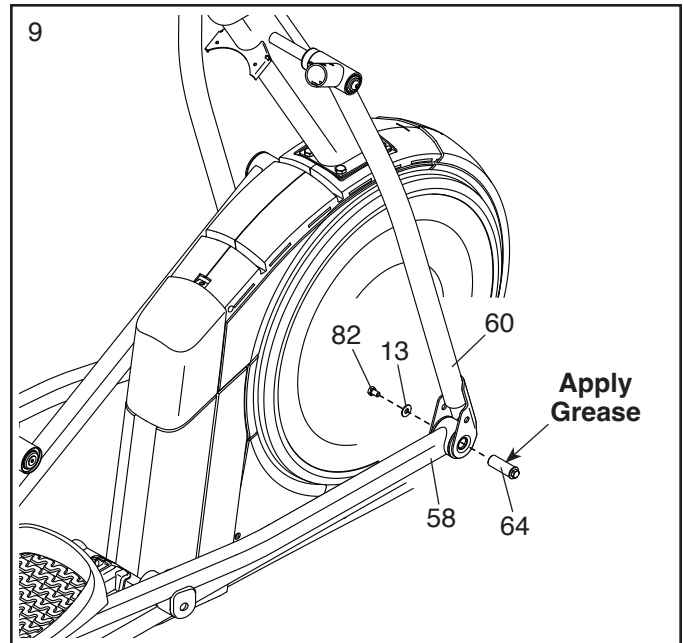
9. Apply a thin coat of grease to one of the Pedal Arm Axles (64).

Insert the Pedal Arm Axle (64) into the Right Upper Body Leg (60) and the Right Pedal Arm (58) from the side shown.

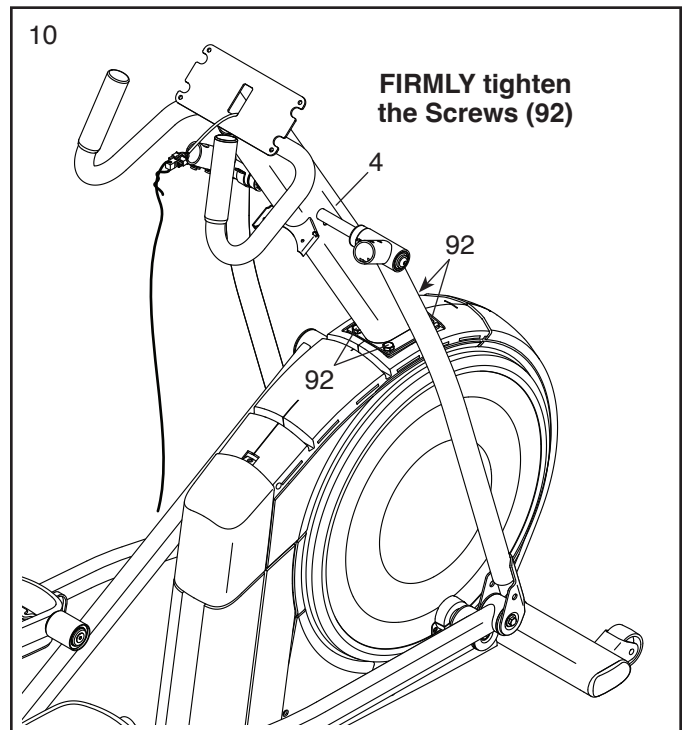
Next, slide an M8 x 22mm Washer (13) onto an M8 x 13mm Screw (82), and tighten the Screw a few turns into the opposite side of the Pedal Arm Axle (64).

**Then, tighten the Pedal Arm Axle (64) and the M8 x 13mm Screw (82) at the same time.**

**Repeat this step on the other side of the elliptical.**



10. To prevent the Upright (4) from rocking during use, **FIRMLY** tighten the four M10 x 25mm Screws (92). These are the Screws that you started in step 4.

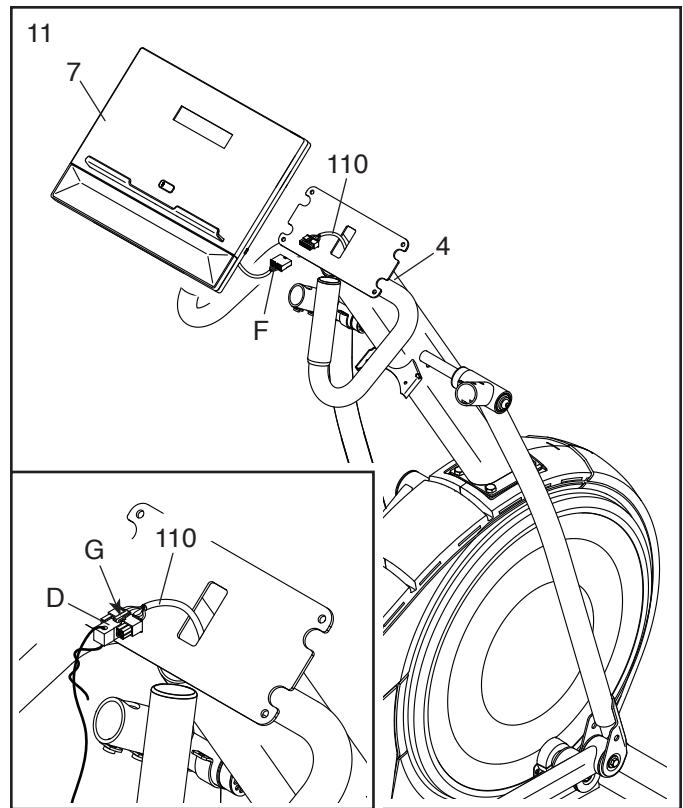


11. **See the inset drawing.** Grip the connector on the Main Wire (110). Then, press the small latch (G) on the connector, and remove and discard the wire pull (D).

While a second person holds the Console (7) near the Upright (4), connect the Main Wire (110) to the console wire (F).

**IMPORTANT: The wire connectors should slide together easily and snap into place with an audible click. You must connect the wires properly for your elliptical to function properly.**

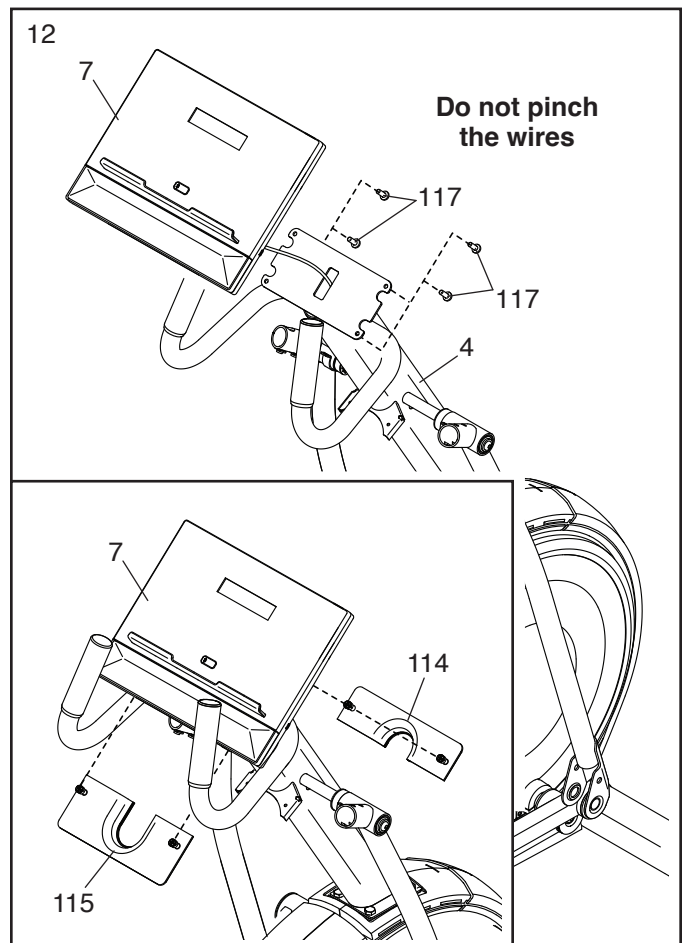
Insert the excess wire into the Upright (4) or into the Console (7).



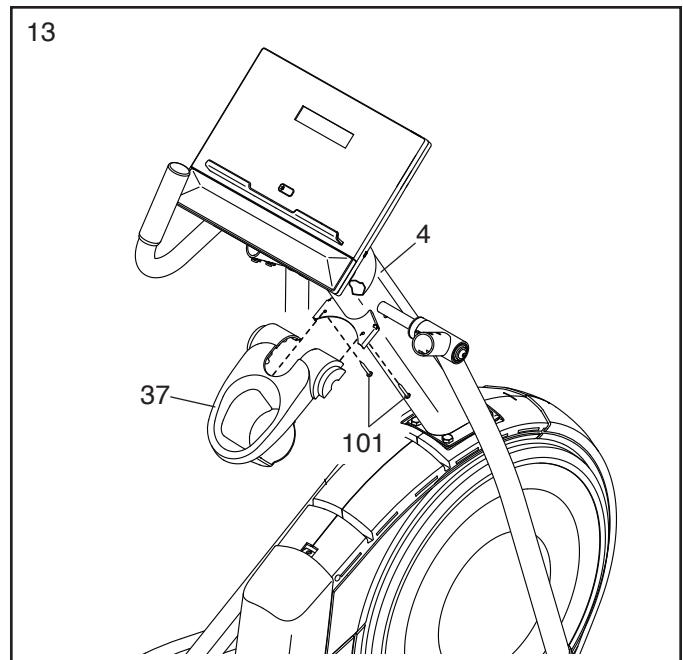
12. If there is a hang tag (not shown) attached to the top of the Upright (4), discard the hang tag.

**Do not pinch the wires.** Attach the Console (7) with four M6 x 16mm Screws (117); **start all four Screws, and then tighten them.**

**See the inset drawing.** Identify the Console Upper Cover (114), and press it onto the back of the Console (7). Then, press the Console Lower Cover (115) onto the back of the Console).

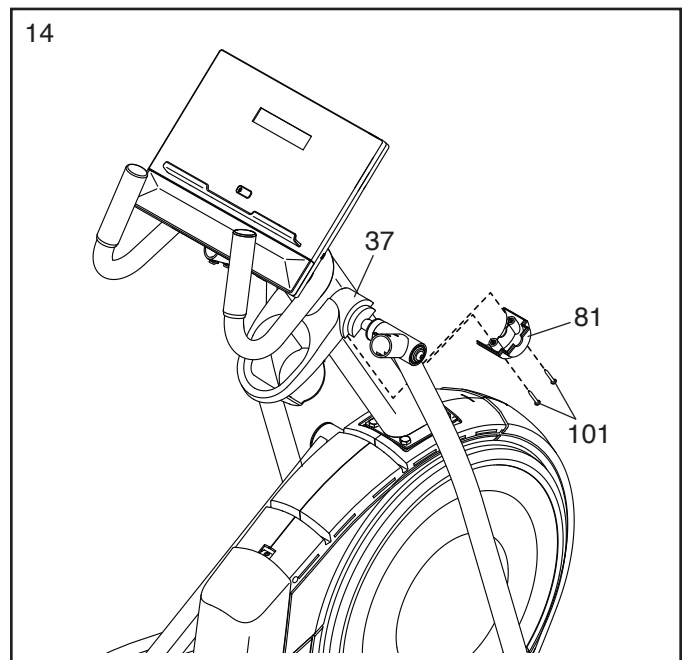


13. Attach the Accessory Tray (37) to the Upright (4) with two M4 x 16mm Screws (101).



14. Orient a Lower Tray Cover (81) as shown, and attach it to the right side of the Accessory Tray (37) with two M4 x 16mm Screws (101).

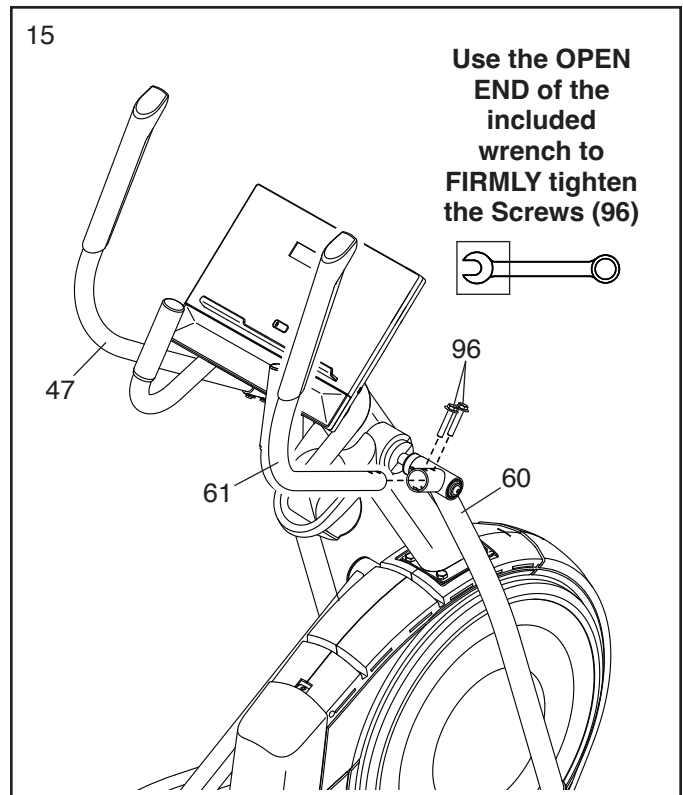
**Repeat this step on the other side of the elliptical.**



15. Identify the Right Upper Body Arm (61), and insert it into the Right Upper Body Leg (60).

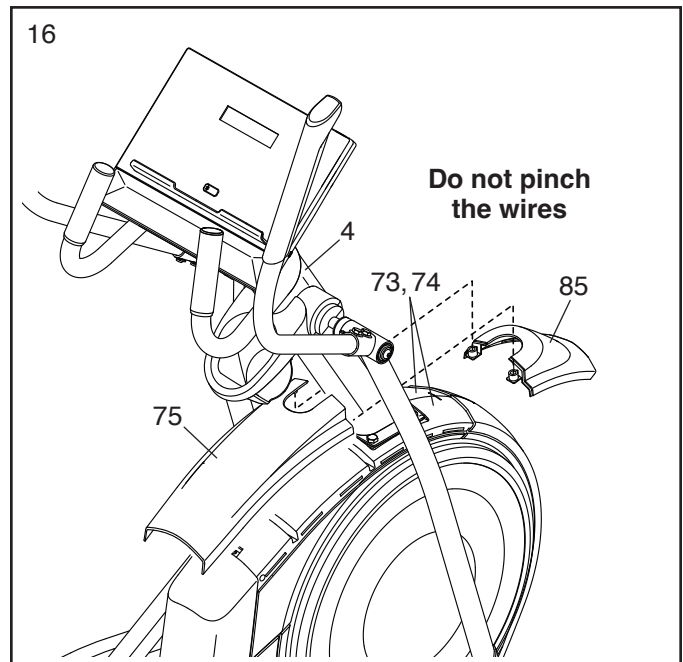
Attach the Right Upper Body Arm (61) with two M8 x 41mm Screws (96); **FIRMLY tighten the Screws.**

**Repeat this step for the Left Upper Body Arm (47).**



16. **Do not pinch the wires.** Press the **Front Shield Cover (85)** onto the Left and Right Shields (73, 74).

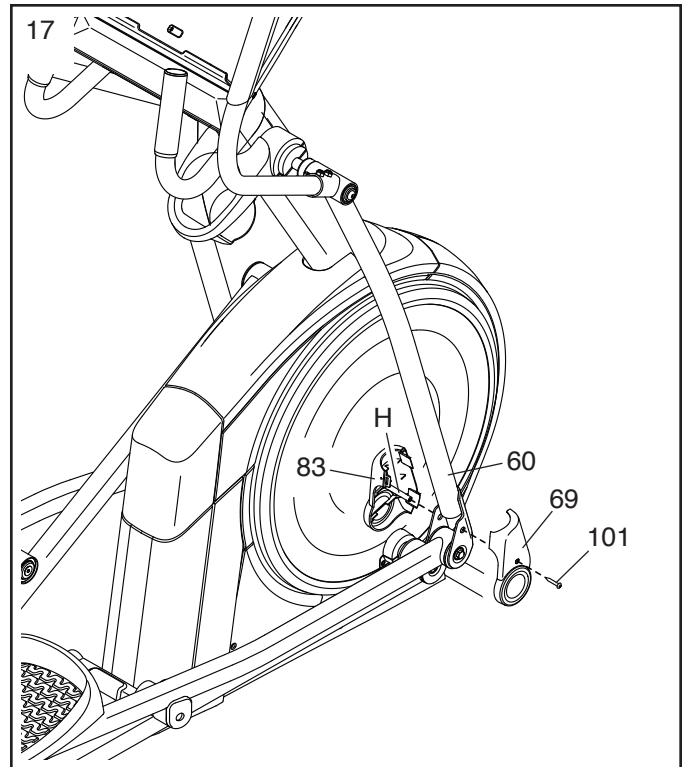
Then, press the **Center Shield Cover (75)** onto the Left and Right Shields (73, 74).



17. Identify the Right Leg Inner Cover (83). Insert the post (H) on the Right Leg Inner Cover into the Right Upper Body Leg (60).

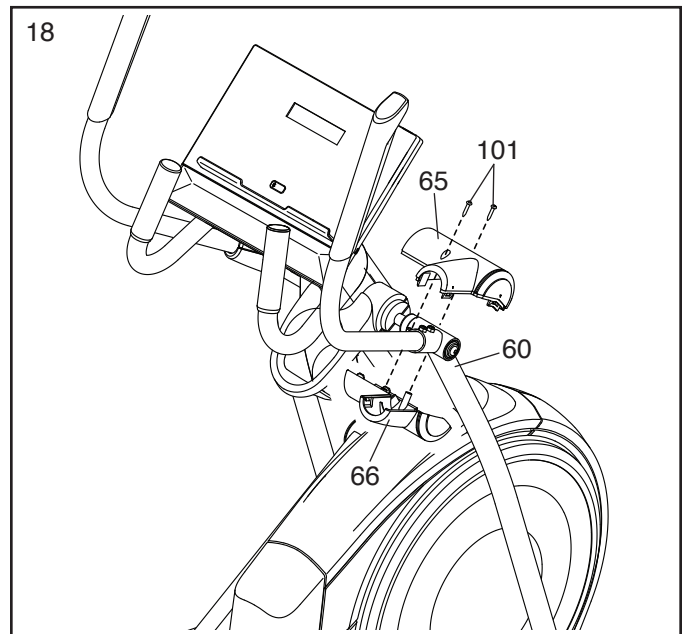
Next, identify the Right Leg Outer Cover (69), press it onto the Right Leg Inner Cover (83), and attach it with an M4 x 16mm Screw (101).

**Repeat this step on the other side of the elliptical.**



18. Hold the Right Arm Front Cover (65) and the Right Arm Rear Cover (66) together around the Right Upper Body Leg (60), and attach them with two M4 x 16mm Screws (101).

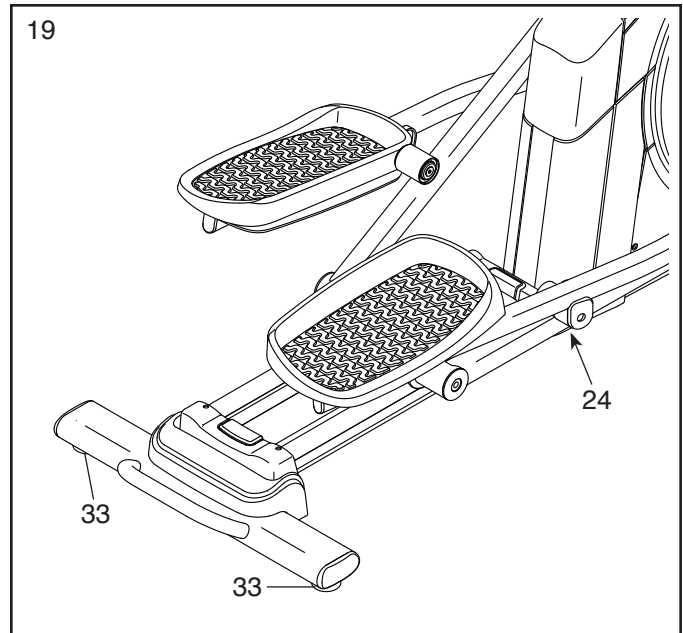
**Repeat this step on the other side of the elliptical.**



19. **Make sure that all parts are properly tightened.** Then, move the elliptical to the place where it will be used (see HOW TO MOVE THE ELLIPTICAL on page 17).

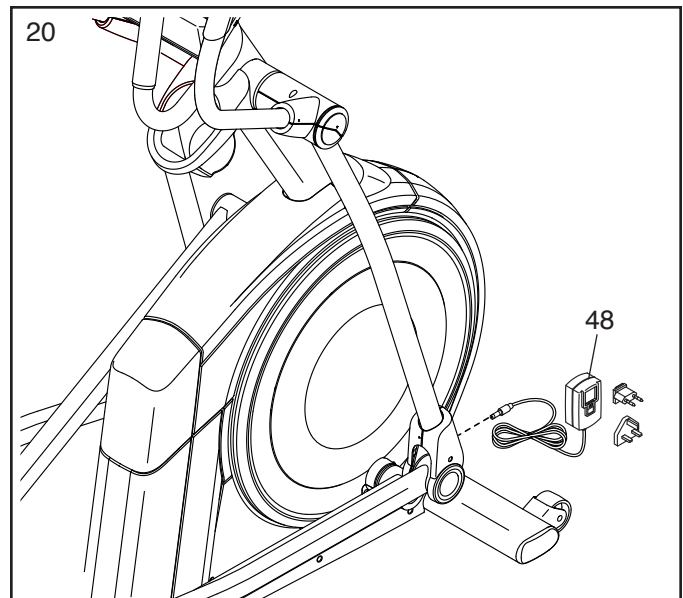
If the elliptical rocks on your floor, carefully lay the elliptical on its side with the help of a second person. Next, locate the Small Leveling Foot (24) and tighten it all of the way into the elliptical. Then, raise the elliptical to the standing position.

If the elliptical still rocks on your floor, adjust one of the Large Leveling Feet (33) so both Large Leveling Feet are touching the floor.



20. Plug the Power Adapter (48) into the receptacle on the front of the elliptical.

Note: To plug the Power Adapter (48) into an outlet, see HOW TO PLUG IN THE POWER ADAPTER on page 16.



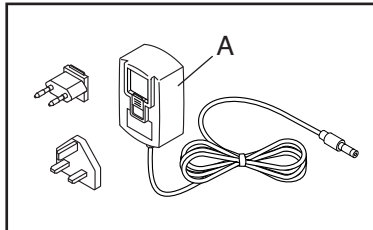
21. Place a mat beneath the elliptical to protect the floor. Note: Keep the included tools. One or more of the tools may be needed to make adjustments in the future. Extra parts may be included.

# HOW TO USE THE ELLIPTICAL

## HOW TO PLUG IN THE POWER ADAPTER

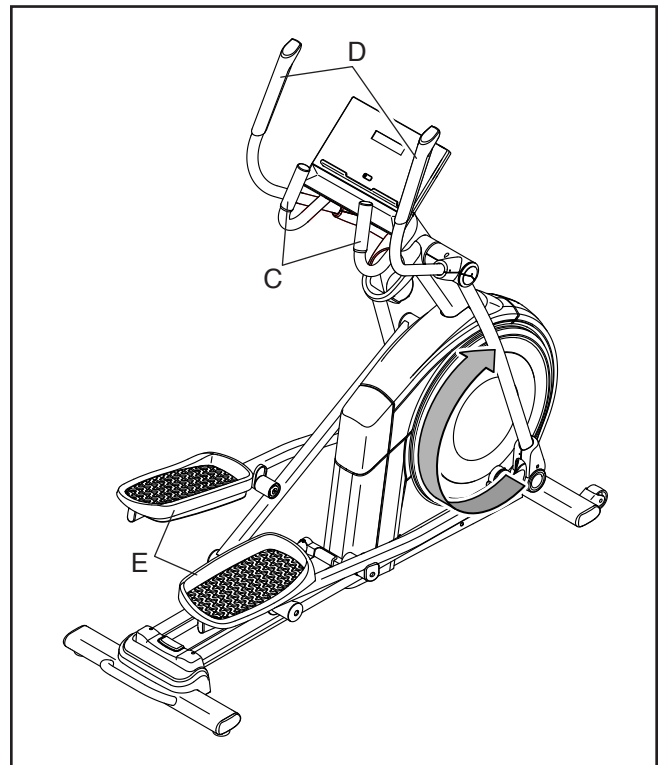
**IMPORTANT:** If the elliptical has been exposed to cold temperatures, allow it to warm to room temperature before you plug in the power adapter (A). If you do not do this, you may damage the console displays or other electronic components.

Plug the power adapter (A) into the receptacle on the front of the elliptical. Then, plug the power adapter into an appropriate outlet that is properly installed in accordance with all local codes and ordinances.



## HOW TO EXERCISE ON THE ELLIPTICAL

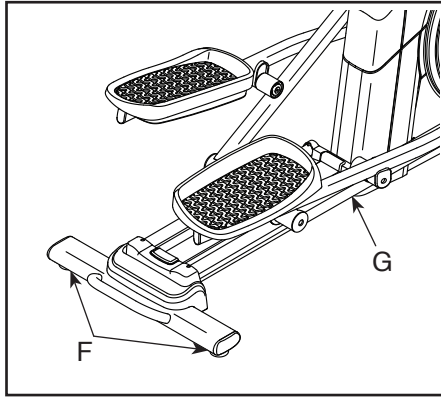
To mount the elliptical, hold the handlebars (C) or the upper body arms (D) and step onto the pedal (E) that is in the lower position. Then, step onto the other pedal. Push the pedals until they begin to move with a continuous motion. **Note: The pedals can turn in either direction. It is recommended that you turn the pedals in the direction shown by the arrow; however, for variety, you can turn the pedals in the opposite direction.**



To dismount the elliptical, wait until the pedals (E) come to a complete stop. **Note: The elliptical does not have a free wheel; the pedals will continue to move until the flywheel stops.** When the pedals are stationary, step off the higher pedal first. Then, step off the lower pedal.

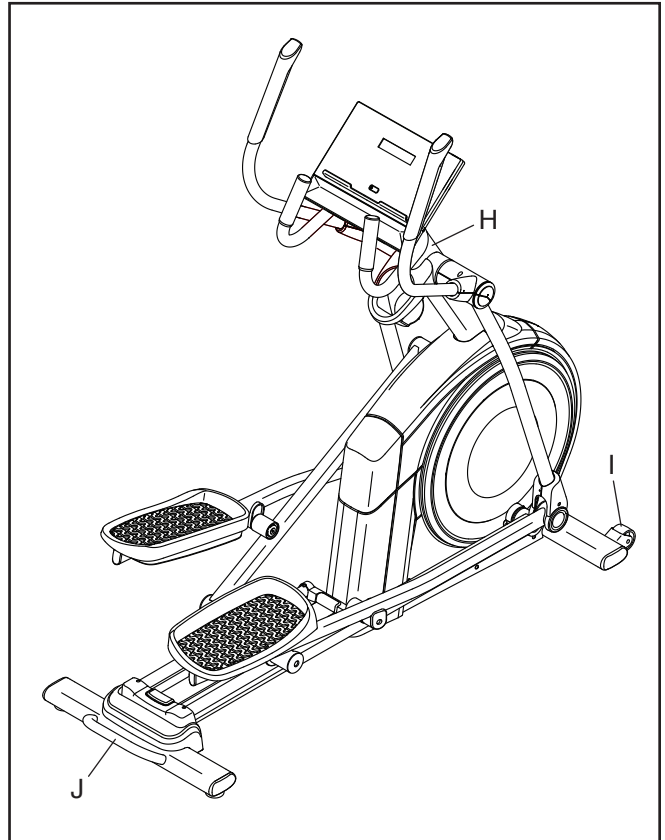
## HOW TO LEVEL THE ELLIPTICAL

If the elliptical rocks slightly on your floor during use, turn one or both of the leveling feet (F) beneath the rear stabilizer or turn the leveling foot (G) under the center of the frame until the rocking motion is eliminated.

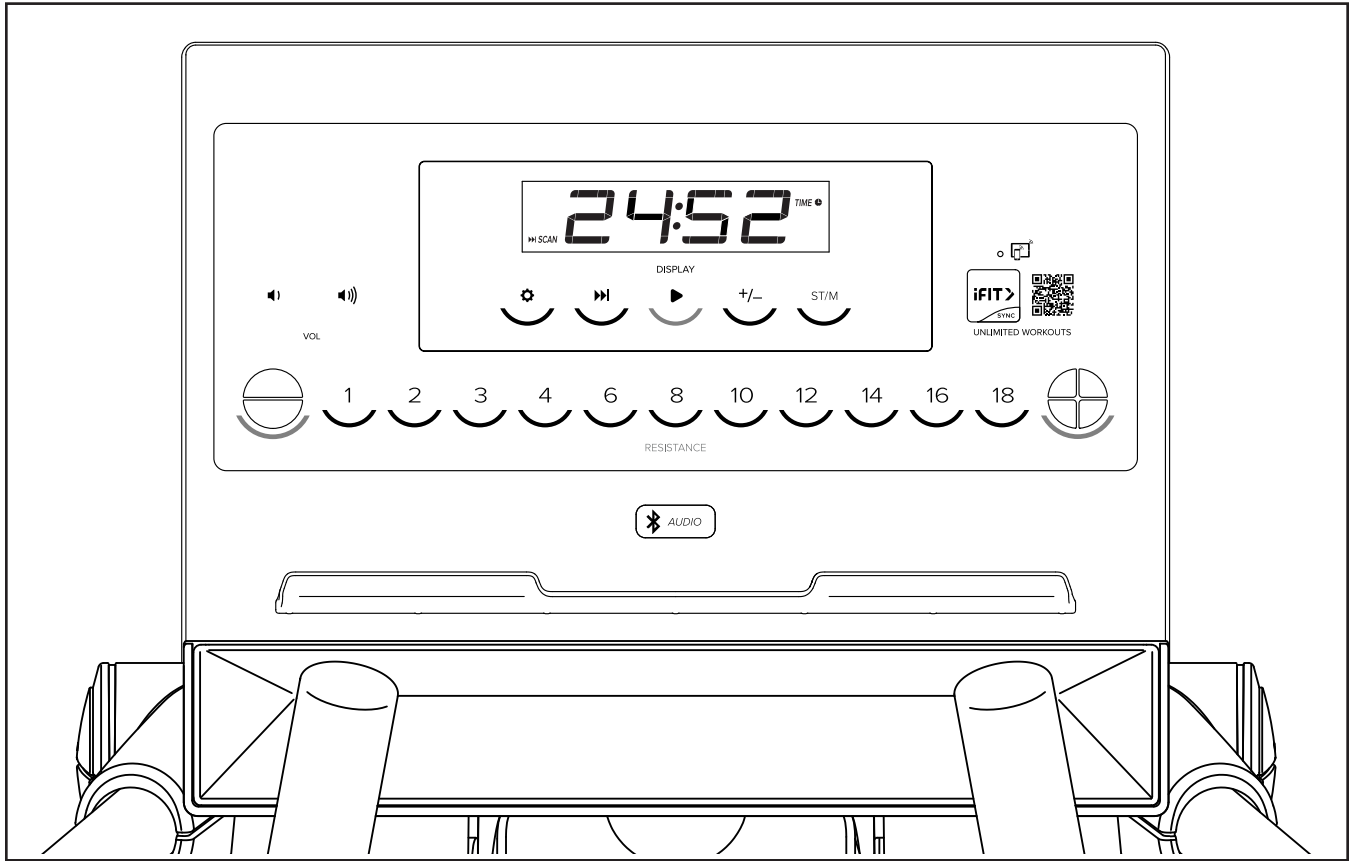


## HOW TO MOVE THE ELLIPTICAL

Due to the size and weight of the elliptical, moving it requires two persons. Take any necessary measures to avoid damaging your floor. Stand in front of the elliptical, hold the upright (H), and place one foot against one of the wheels (I). Next, pull on the upright (H) and have a second person lift the handle (J) until the elliptical will roll on the wheels. Carefully move the elliptical to the desired location, and then lower it to the floor.



# HOW TO USE THE CONSOLE



## FEATURES OF THE CONSOLE

The console offers a selection of features designed to make your workouts more effective and enjoyable.

When you use the manual mode of the console, you can change the resistance of the pedals with a touch of a button. As you exercise, the console will display continuous exercise feedback. You can even measure your heart rate when you use a compatible heart rate monitor (see page 24).

The console also features wireless technology that enables the console to connect to iFIT®. With the iFIT app, you can choose from a rotating selection of featured workouts that automatically control the resistance

of the pedals as iFIT trainers guide you through immersive exercise sessions.

With an iFIT subscription, you can access a large and varied library of thousands of destination and studio workouts, create your own workouts, track your workout results, and access many other features.

**To turn on and turn off the console**, see page 19. **To use the manual mode**, see page 19. **To use an iFIT workout**, see page 21. **To change console settings**, see page 22.

Note: If there is a sheet of plastic on the display, remove the plastic.

## HOW TO TURN ON THE CONSOLE

The included power adapter must be used to operate the elliptical (see page 16).

Begin pedaling or press any button on the console to activate the console.

## HOW TO TURN OFF THE CONSOLE

If the pedals are not moved and the console buttons are not pressed for a few seconds, the console will pause. If the pedals do not move for several minutes and the buttons are not pressed, the console will become inactive.

Note: The console features a demo mode, designed to be used if the elliptical is displayed in a store. If the demo mode is turned on, the console will not become inactive and the display will not be reset when you finish exercising. To turn off the demo mode, see HOW TO CHANGE CONSOLE SETTINGS on pages 22 and 23.

## HOW TO USE THE MANUAL MODE

1. **Begin pedaling or press any button on the console to turn on the console.**

See HOW TO TURN ON THE CONSOLE at the left.

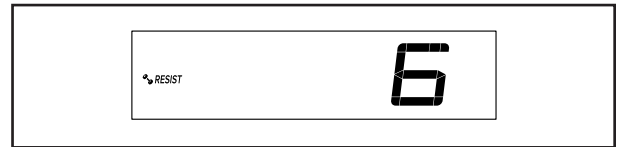
2. **Get ready for the workout.**

To use the sound system, see page 24.

To wear a heart rate monitor, see page 24.

3. **Change the resistance of the pedals as desired.**

To change the resistance of the pedals as you exercise, press one of the numbered Resistance buttons or press the Resistance increase and decrease buttons.



Note: After you press a button, it will take a moment for the pedals to reach the selected resistance level.

4. **Follow your progress with the display.**

The display can show the following workout information:

**Calories (CALs)**—The approximate number of calories you have burned.

**Calories per Hour (CALs/HR)**—The approximate number of calories you are burning per hour.

**Distance (MI or KM)**—The distance that you have pedaled in miles or kilometers. To change the unit of measurement, press the St/M button.

**Pace**—Your pedaling speed in minutes per mile or minutes per kilometer. To change the unit of measurement, press the St/M button.

**Pulse (BPM and heart symbol)**—Your heart rate when you use a compatible heart rate monitor (see page 24).

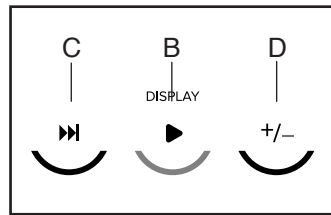
**Resistance (RESIST)**—The resistance level of the pedals.

**RPM**—Your pedaling speed in revolutions per minute (RPM).

**Speed (MPH or KPH)**—Your pedaling speed in miles per hour or kilometers per hour. To change the unit of measurement, press the St/M button.

**Time**—The elapsed time.

Press the Display button (B) repeatedly to view the desired workout information in the display.



**Scan mode**—The console also has a scan mode that will display workout information in a repeating cycle. To turn on the scan mode, press the Scan button (C); the scan indicator (E) and the word SCAN will turn on in the display.



**To manually advance the scan cycle**, press the Scan button (C) repeatedly.

**To turn off the scan mode**, press the Display button (B); the scan indicator and the word SCAN will turn off.

You can also customize the scan mode to display only the desired workout information in the repeating cycle.

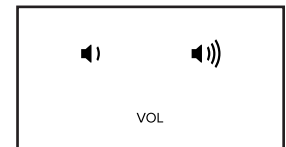
**To customize the scan mode**, first press the Display button (B) repeatedly until the workout information that you want to add to or remove from the scan cycle appears in the display.

Next, press the Add/Remove button (D) to add or remove that workout information from the scan cycle. **When workout information is added**, its indicator will turn on in the display. **When workout information is removed**, its indicator will turn off.

Then, press the Scan button (C) to turn on the scan mode.

Note: The console will show your heart rate in the scan cycle automatically whenever it detects a pulse from a compatible heart rate monitor.

To change the volume level of the console, press the Vol increase and decrease buttons.



## 5. Pause or end the workout.

To pause the workout, simply stop pedaling. When the workout is paused, the time will flash in the display. To continue the workout, simply resume pedaling.

To end the workout, simply stop pedaling and wait for a few minutes for the console display to reset.

## 6. When you are finished exercising, turn off the console (see page 19).

## HOW TO USE AN iFIT WORKOUT

The console offers access to a large and varied library of iFIT workouts when you download the iFIT app to your smart device and connect it to the console.

Note: The console supports Bluetooth® connections to smart devices via the iFIT app and to compatible heart rate monitors. Other Bluetooth connections are not supported.

### 1. Download and install the iFIT app on your smart device.

On your iOS® or Android™ smart device, open the App Store<sup>SM</sup> or the Google Play™ store, search for the free iFIT app, and then install the app on your smart device. **Make sure that the Bluetooth option is enabled on your smart device.**

Then, open the iFIT app and follow the instructions to set up an iFIT account and customize settings.

**Take time to explore the iFIT app and learn about its features and settings.**

### 2. Get ready for the workout.

**To use the sound system,** see page 24.

**To wear a heart rate monitor,** see page 24.

Note: If you are connecting both your heart rate monitor and your smart device to the console, **you must connect your heart rate monitor before you connect your smart device.**

### 3. Connect your smart device to the console.

Press the iFIT Sync button on the console; the console pairing number will appear in the display. Then, follow the instructions in the iFIT app to connect your smart device to the console.

When a connection is established, the LED on the console will turn solid blue or the Bluetooth symbol will appear in the display.

### 4. Select an iFIT workout.

In the iFIT app, touch the buttons at the bottom of the screen to select either the home screen (Home button) or the workout library (Browse button).

To select a workout from the home screen or the workout library, simply touch the desired workout button on the screen. Slide or flick the screen to scroll as necessary.

When you select a workout, the screen will show an overview of the workout that includes details such as the duration and distance of the workout and the approximate number of calories you will burn during the workout.

### 5. Start the workout.

Touch *Start Workout* to start the workout.

During some workouts, an iFIT trainer will guide you through an immersive video workout. Touch the screen in any open space to view and select music, trainer voice, and volume options for the workout.

During some workouts, the screen will show a map of the route and a marker indicating your progress. Touch the buttons on the screen to select the desired map options.

If the resistance setting for the current segment of the workout is too high or too low, you can manually override the setting by pressing the Resistance buttons on the console.

To return to the programmed resistance settings of the workout, touch *Follow Trainer*.

**Note: The calorie goal shown in the workout description is an estimate of the number of calories that you will burn during the workout.** The actual number of calories that you burn will depend on various factors, such as your weight. In addition, if you manually change the resistance level during the workout, the number of calories you burn will be affected.

## 6. Pause or end the workout.

To pause the workout, simply touch the screen or stop pedaling. To continue the workout, simply resume pedaling.

To end the workout, touch the screen to pause the workout, and then follow the prompts on the screen to end the workout and return to the home screen.

When the workout ends, a workout summary will appear on the screen. If desired, you can select options such as adding the workout to your schedule or adding the workout to your favorites list. Then, touch *Finish* to return to the home screen.

## 7. Disconnect your smart device from the console.

To disconnect your smart device from the console, first select the disconnect option in the iFIT app. Then, press and hold the iFIT Sync button on the console until the LED on the console turns solid green or the Bluetooth symbol disappears from the display.

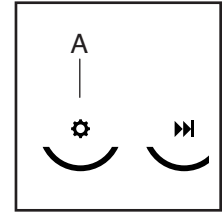
**Note:** All Bluetooth connections between the console and other devices (including any smart devices, heart rate monitors, and so forth) will be disconnected.

## 8. When you are finished exercising, turn off the console (see page 19).

## HOW TO CHANGE CONSOLE SETTINGS

### 1. Select the settings mode.

To change console settings, you must select the settings mode before you begin pedaling. If you have started pedaling with the manual mode or an iFIT workout, unplug the power adapter and then plug it back in.



Then, press the settings button (A) to select the settings mode.

### 2. Navigate the settings mode.

While the settings mode is selected, you can navigate through several settings screens. Press the Display button (B) repeatedly to select the desired settings screen.

### 3. Change settings as desired.

**Software Version Number**—The software version number will appear in the display.

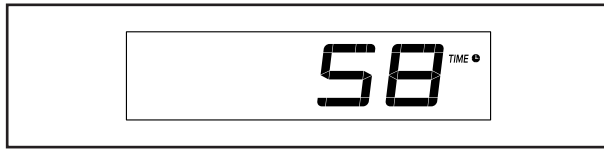
**Unit of Measurement**—The currently selected unit of measurement will appear in the display. The console can show speed and distance in standard or metric units of measurement. To change the unit of measurement, press the St/M button repeatedly. To view workout information in standard units, select STD. To view workout information in metric units, select MET.



**Display Test**—This screen is intended to be used by service technicians to identify whether the display is working correctly.

**Button Test**—This screen is intended to be used by service technicians to identify whether a certain button is working correctly.

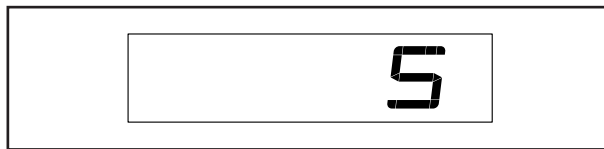
**Total Time**—The word TIME will appear in the display. The display will show the total number of hours that the elliptical has been used.



**Total Distance**—The letters MI or KM will appear in the display. The display will show the total distance (in miles or kilometers) that the elliptical has been pedaled.



**Contrast Level**—The currently selected contrast level will appear in the display. Press the Resistance increase and decrease buttons to adjust the contrast level.

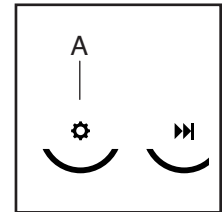


**Demo Mode**—The currently selected demo mode option will appear in the display. The console features a demo mode, designed to be used if the elliptical is displayed in a store. If the demo mode is turned on, the console will not become inactive and the display will not be reset when you finish exercising. Press the Resistance increase button repeatedly to select a demo mode option. To turn on the demo mode, select DON. To turn off the demo mode, select DOFF.



**4. Exit the settings mode.**

Press the settings button (A) to exit the settings mode.



## HOW TO USE THE SOUND SYSTEM

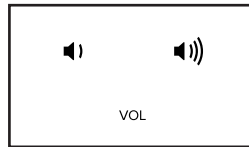
1. **Make sure that your device's Bluetooth setting is turned on, and hold your device near the console.**
2. **Press and hold the Bluetooth Audio button on the console for 3 seconds.**

A tone will sound and the Bluetooth button will begin flashing to indicate that the console has entered pairing mode.

3. **Pair your device to the console.**

Once your device and the console pair successfully, the audio from your device will play through the console speakers.

To adjust the volume, press the Vol increase and decrease buttons on the console or the use the volume control on your personal audio player.



Note: The console can save multiple devices in its memory. If you have previously paired your device to the console, you can simply press the Bluetooth Audio button to connect your device to the console.

4. **Erase the console's device memory if necessary.**

If you need to erase all the Bluetooth-enabled devices saved in the console's memory, press and hold the Bluetooth Audio button for 10 seconds.

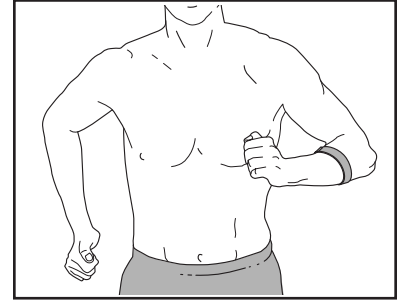
## HOW TO USE THE CHARGING PORT

The console features a charging port to charge USB-C compatible devices, such as smartphones and tablets, while you exercise.

To use the charging port, plug a USB-C charging cable (not included) into the charging port on the right side of the console and into the receptacle on your device; **make sure that the USB-C charging cable is fully plugged in.** Note: The charging port cannot be used to view or transfer data or to play music through the console sound system.

## HOW TO USE AN OPTIONAL HEART RATE MONITOR

Whether your goal is to burn fat or to strengthen your cardiovascular system, the key to achieving the best results is to maintain the proper heart rate during your workouts. The optional heart rate monitor will enable you to continuously monitor your heart rate while you exercise, helping you to reach your personal fitness goals. **To purchase an optional heart rate monitor, please see the front cover of this manual.**



The console is compatible with all Bluetooth® Smart heart rate monitors.

**To connect your Bluetooth Smart heart rate monitor to the console,** press the iFIT Sync button on the console; the console pairing number will appear in the display. When your heart rate monitor is connected, the LED on the console will flash red twice. Note: If there is more than one compatible heart rate monitor near the console, the console will connect to the heart rate monitor with the strongest signal.

**To disconnect your heart rate monitor from the console,** press and hold the iFIT Sync button on the console until the LED on the console turns solid green. Note: All Bluetooth connections between the console and other devices (including any smart devices, heart rate monitors, and so forth) will be disconnected.

# MAINTENANCE AND TROUBLESHOOTING

## MAINTENANCE

Regular maintenance is important for optimal performance and to reduce wear. Inspect and properly tighten all parts each time the elliptical is used.

**Replace any worn parts immediately.** Use only manufacturer-supplied parts.

To clean the elliptical, use a damp cloth and a small amount of mild soap. **IMPORTANT: To avoid damage to the console, keep liquids away from the console and keep the console out of direct sunlight.**

## CONSOLE TROUBLESHOOTING

If the console does not turn on, make sure that the power adapter is fully plugged in and that the power switch is pressed to the on position.

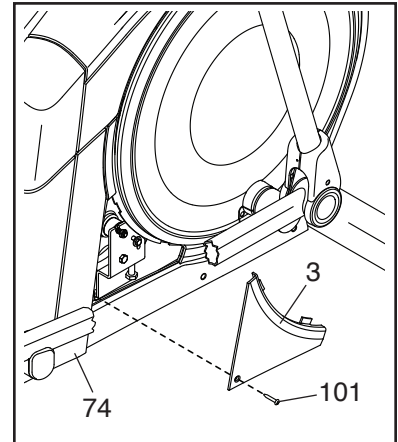
**If a replacement power adapter is needed, see the back cover of this manual to purchase one. IMPORTANT: To avoid damaging the console, use only a manufacturer-supplied regulated power adapter.**

If lines appear in the console display, see **HOW TO CHANGE CONSOLE SETTINGS** on page 22 and adjust the contrast level of the display.

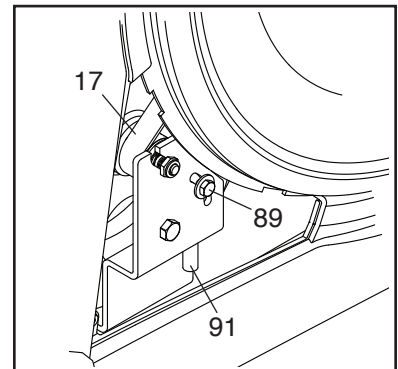
## HOW TO ADJUST THE DRIVE BELT

If the pedals slip while you are pedaling, even while the resistance is adjusted to the highest level, the drive belt may need to be adjusted. To adjust the drive belt, first **unplug the power adapter.**

Next, locate the Access Cover (3) on the Right Shield (74). Remove the M4 x 16mm Screw (101) and then remove the Access Cover.



Next, locate and loosen the Idler Screw (89). Tighten the Drive Belt Adjustment Screw (91) until the Drive Belt (17) is tight. Then, retighten the Idler Screw.

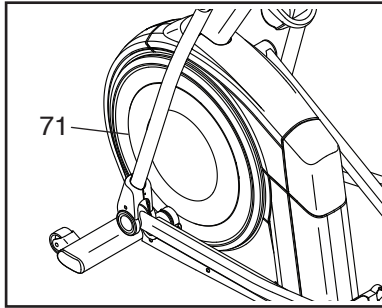


Reattach the parts that you removed. Then, plug in the power adapter.

## HOW TO ADJUST THE REED SWITCH

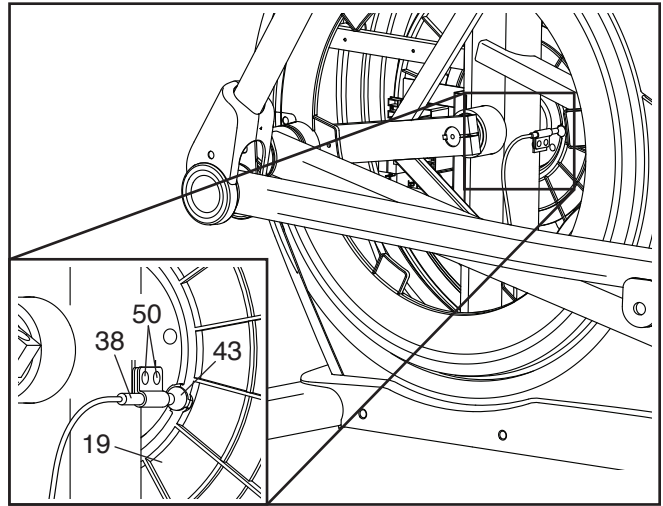
If the console does not display correct feedback, the reed switch should be adjusted. To adjust the reed switch, first **unplug the power adapter**.

Next, using a standard screwdriver, carefully pry off the left Disc (71).



**See the inset drawing at the right.** Locate the Reed Switch (38). Turn the Pulley (19) until a Magnet (43) is aligned with the Reed Switch.

Next, slightly loosen the indicated two M4 x 12mm Flange Screws (50). Slide the Reed Switch (38) slightly closer to or away from the Magnet (43), and then retighten the Flange Screws.



Then, plug in the adapter and rock the Pulley (19) forward and backward just enough that the Magnet (43) passes the Reed Switch (38) repeatedly. Repeat these actions until the console displays correct feedback.

When the reed switch is correctly adjusted, reattach the left disc and plug in the power adapter.

# EXERCISE GUIDELINES

**⚠️ WARNING:** Before beginning this or any exercise program, consult your physician. This is especially important for persons over age 35 or persons with pre-existing health problems.

These guidelines will help you to plan your exercise program. For detailed exercise information, obtain a reputable book or consult your physician. Remember, proper nutrition and adequate rest are essential for successful results.

## EXERCISE INTENSITY

Whether your goal is to burn fat or to strengthen your cardiovascular system, exercising at the proper intensity is the key to achieving results. You can use your heart rate as a guide to find the proper intensity level. The chart below shows recommended heart rates for fat burning and aerobic exercise.

165	155	145	140	130	125	115	♥♥
145	138	130	125	118	110	103	♥
125	120	115	110	105	95	90	♥
<hr/>							
20	30	40	50	60	70	80	

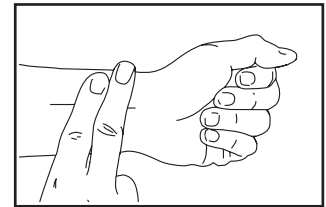
To find the proper intensity level, find your age at the bottom of the chart (ages are rounded off to the nearest ten years). The three numbers listed above your age define your “training zone.” The lowest number is the heart rate for fat burning, the middle number is the heart rate for maximum fat burning, and the highest number is the heart rate for aerobic exercise.

**Burning Fat**—To burn fat effectively, you must exercise at a low intensity level for a sustained period of time. During the first few minutes of exercise, your body uses carbohydrate calories for energy. Only after the first few minutes of exercise does your body begin to use stored fat calories for energy. If your goal is to burn fat, adjust the intensity of your exercise until your heart rate is near the lowest number in your training zone. For maximum fat burning, exercise with your heart rate near the middle number in your training zone.

**Aerobic Exercise**—If your goal is to strengthen your cardiovascular system, you must perform aerobic exercise, which is activity that requires large amounts of oxygen for prolonged periods of time. For aerobic exercise, adjust the intensity of your exercise until your heart rate is near the highest number in your training zone.

## HOW TO MEASURE YOUR HEART RATE

To measure your heart rate, exercise for at least four minutes. Then, stop exercising and place two fingers on your wrist as shown. Take a six-second heartbeat count, and multiply the result by 10 to find your heart rate. For example, if your six-second heartbeat count is 14, your heart rate is 140 beats per minute.



## WORKOUT GUIDELINES

**Warming Up**—Start with 5 to 10 minutes of stretching and light exercise. A warm-up increases your body temperature, heart rate, and circulation in preparation for exercise.

**Training Zone Exercise**—Exercise for 20 to 30 minutes with your heart rate in your training zone. (During the first few weeks of your exercise program, do not keep your heart rate in your training zone for longer than 20 minutes.) Breathe regularly and deeply as you exercise; never hold your breath.

**Cooling Down**—Finish with 5 to 10 minutes of stretching. Stretching increases the flexibility of your muscles and helps to prevent post-exercise problems.

## EXERCISE FREQUENCY

To maintain or improve your condition, complete three workouts each week, with at least one day of rest between workouts. After a few months of regular exercise, you may complete up to five workouts each week, if desired. Remember, the key to success is to make exercise a regular and enjoyable part of your everyday life.

## SUGGESTED STRETCHES

The correct form for several basic stretches is shown at the right. Move slowly as you stretch—never bounce.

### 1. Toe Touch Stretch

Stand with your knees bent slightly and slowly bend forward from your hips. Allow your back and shoulders to relax as you reach down toward your toes as far as possible. Hold for 15 counts, then relax. Repeat 3 times. Stretches: Hamstrings, back of knees and back.

### 2. Hamstring Stretch

Sit with one leg extended. Bring the sole of the opposite foot toward you and rest it against the inner thigh of your extended leg. Reach toward your toes as far as possible. Hold for 15 counts, then relax. Repeat 3 times for each leg. Stretches: Hamstrings, lower back and groin.

### 3. Calf/Achilles Stretch

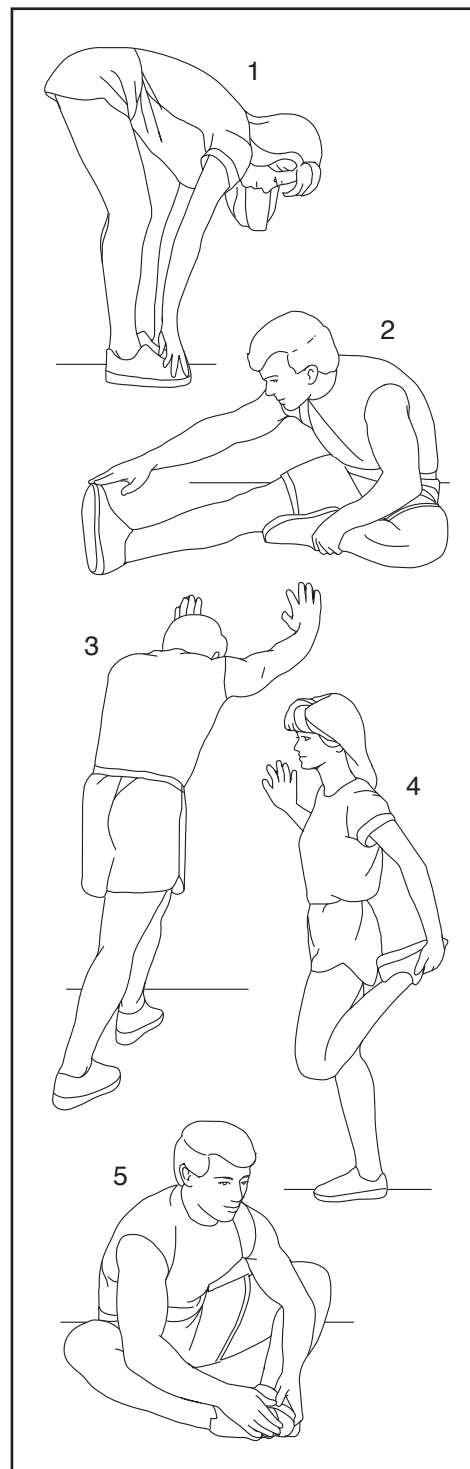
With one leg in front of the other, reach forward and place your hands against a wall. Keep your back leg straight and your back foot flat on the floor. Bend your front leg, lean forward and move your hips toward the wall. Hold for 15 counts, then relax. Repeat 3 times for each leg. To cause further stretching of the achilles tendons, bend your back leg as well. Stretches: Calves, achilles tendons and ankles.

### 4. Quadriceps Stretch

With one hand against a wall for balance, reach back and grasp one foot with your other hand. Bring your heel as close to your buttocks as possible. Hold for 15 counts, then relax. Repeat 3 times for each leg. Stretches: Quadriceps and hip muscles.

### 5. Inner Thigh Stretch

Sit with the soles of your feet together and your knees outward. Pull your feet toward your groin area as far as possible. Hold for 15 counts, then relax. Repeat 3 times. Stretches: Quadriceps and hip muscles.



---

# NOTES

---

# NOTES

# PART LIST

Model No. PFEL55925-INT.0 R0824A

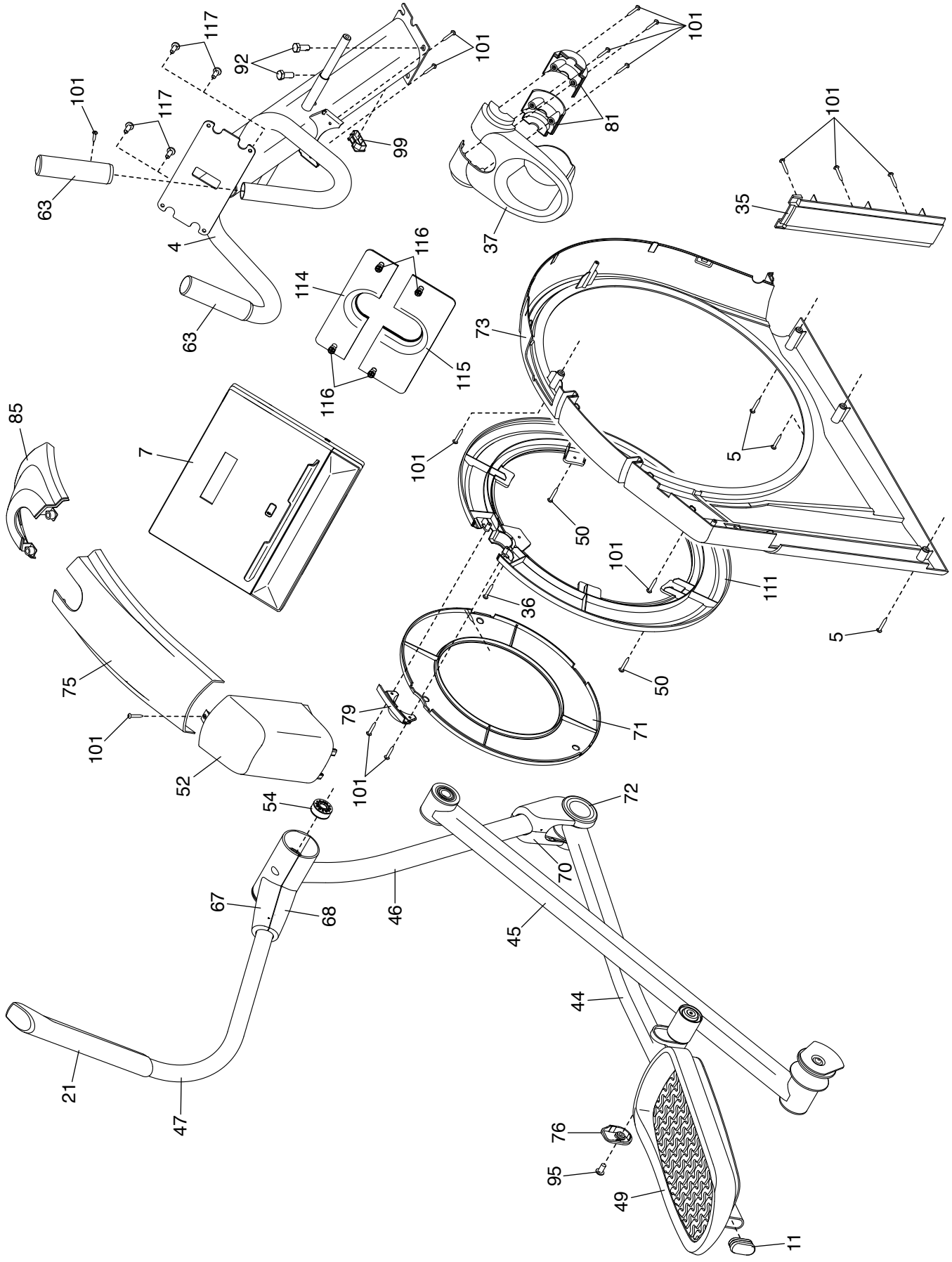
Key No.	Qty.	Description	Key No.	Qty.	Description
1	1	Frame/Ramp	51	2	Roller
2	1	Rear Stabilizer	52	1	Rear Shield Cover
3	1	Access Cover	53	2	Axle Cover
4	1	Upright	54	2	Pivot Spacer
5	6	M4 x 19mm Screw	55	2	Small Retainer
6	1	Front Stabilizer	56	4	Roller Arm Bushing
7	1	Console	57	4	Large Arm Bearing
8	2	Roller Guide	58	1	Right Pedal Arm
9	2	Crank Bearing Sleeve	59	1	Right Roller Arm
10	1	Rear Ramp Cover	60	1	Right Upper Body Leg
11	2	Pedal Arm Cap	61	1	Right Upper Body Arm
12	2	Outer Arm Bearing	62	2	Inner Arm Bearing
13	2	M8 x 22mm Washer	63	2	Handgrip
14	2	Adhesive Tape	64	2	Pedal Arm Axle
15	1	Rear Stabilizer Cover	65	1	Right Arm Front Cover
16	2	Track	66	1	Right Arm Rear Cover
17	1	Drive Belt	67	1	Left Arm Front Cover
18	1	Crank	68	1	Left Arm Rear Cover
19	1	Pulley	69	1	Right Leg Outer Cover
20	2	Crank Arm	70	1	Left Leg Outer Cover
21	2	Grip	71	2	Disc
22	1	Idler	72	1	Left Leg Inner Cover
23	2	Short Bumper	73	1	Left Shield
24	1	Small Leveling Foot	74	1	Right Shield
25	1	Resistance Motor	75	1	Center Shield Cover
26	4	M10 Locknut	76	1	Left Pedal Arm Side Cap
27	4	M4 x 12mm Screw	77	2	Large Crank Cover
28	1	Eddy Mechanism	78	2	Key
29	1	Right Pedal	79	2	Disc Bracket
30	4	Stabilizer Cap	80	2	M4 x 25mm Screw
31	2	M8 x 20mm Flat Head Screw	81	2	Lower Tray Cover
32	4	Roller Arm Bearing Sleeve	82	8	M8 x 13mm Screw
33	2	Large Leveling Foot	83	1	Right Leg Inner Cover
34	2	Wheel	84	1	M4 x 12mm Ground Screw
35	1	Rear Shield	85	1	Front Shield Cover
36	2	M4 x 16mm Machine Screw	86	2	M10 x 58mm Hex Bolt
37	1	Accessory Tray	87	1	Right Pedal Arm Side Cap
38	1	Reed Switch/Wire	88	1	Idler Pivot Screw
39	1	Reed Switch Clamp	89	1	Idler Screw
40	2	Frame Bearing	90	2	Pivot Guide
41	1	Upper Ramp Cover	91	1	Drive Belt Adjustment Screw
42	1	Sleeve	92	4	M10 x 25mm Screw
43	2	Magnet	93	4	M4 x 12mm Flange Screw
44	1	Left Pedal Arm	94	2	M8 x 20mm Screw
45	1	Left Roller Arm	95	6	M8 x 19mm Screw
46	1	Left Upper Body Leg	96	4	M8 x 41mm Screw
47	1	Left Upper Body Arm	97	2	M8 x 28mm Washer
48	1	Power Adapter	98	2	M8 x 18mm Washer
49	1	Left Pedal	99	1	Grommet
50	6	M4 x 12mm Flange Screw	100	4	Leg Bearing

Key No.	Qty.	Description	Key No.	Qty.	Description
101	36	M4 x 16mm Screw	111	2	Disc Ring
102	2	M8 Locknut	112	2	M4 x 19mm Self-tapping Screw
103	8	M6 x 12mm Screw	113	4	Push Nut
104	4	M10 x 115mm Screw	114	1	Console Upper Cover
105	3	M6 x 26mm Washer	115	1	Console Lower Cover
106	1	Lower Ramp Cover	116	4	Mushroom Fastener/Screw
107	1	Crank Spacer	117	4	M6 x 16mm Screw
108	2	M6 x 12mm Crank Arm Screw	*	–	Assembly Tool
109	2	M10 x 58mm Bolt	*	–	Grease Packet
110	1	Main Wire	*	–	User's Manual

Note: Specifications are subject to change without notice. For information about ordering replacement parts, see the back cover of this manual. \*These parts are not illustrated.

# EXPLODED DRAWING A

Model No. PFEL55925-INT.0 R0824A







---

# ORDERING REPLACEMENT PARTS

To order replacement parts, please see the front cover of this manual. To help us assist you, be prepared to provide the following information when contacting us:

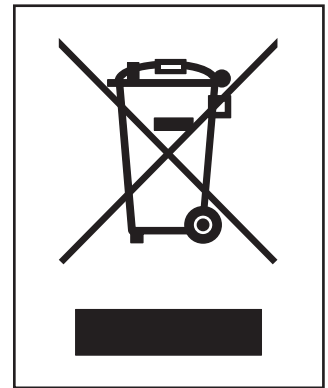
- the model number and serial number of the product (see the front cover of this manual)
- the name of the product (see the front cover of this manual)
- the key number and description of the replacement part(s) (see the PART LIST and the EXPLODED DRAWING near the end of this manual)

---

# RECYCLING INFORMATION

**This electronic product must not be disposed of in municipal waste. To preserve the environment, this product must be recycled after its useful life as required by law.**

Please use recycling facilities that are authorized to collect this type of waste in your area. In doing so, you will help to conserve natural resources and improve European standards of environmental protection. If you require more information about safe and correct disposal methods, please contact your local city office or the establishment where you purchased this product.



---

# UK/EU DECLARATION OF CONFORMITY

PFEL55925-INT contains the BMD-ICN-1 Bluetooth module.

Hereby, iFIT Health & Fitness declares that the radio equipment type BMD-ICN-1 is in compliance with Directive 2014/53/EU and Radio Equipment Regulation 2017.

iFIT Health & Fitness, 1500 S 1000 W, Logan, UT 84320, USA

This declaration of conformity is issued under the sole responsibility of the manufacturer.

Object of the declaration: FCCID OMCBMD1 - Broadcast Frequency: 2.402GHz to 2.480GHz Transmit Power: +4dBm

Certification: Article 3.1a - Safety EN 62479:2010, EN 62368-1:2014/AC:2015, Article 3.1b – EMC EN 301 489-17 V3.2.4, Article 3.2 – Radio parameters EN 300 328 V2.2.2

UK Representative: ICON Health & Fitness Ltd, Unit 1D The Gateway, Fryers Way, Silkwood Park, Ossett, WF5 9TJ, United Kingdom

EU Representative: iFIT Health & Fitness SAS Business Park, 5 rue Alfred de Vigny, 78112 Fourqueux, France

