

NordicTrack®

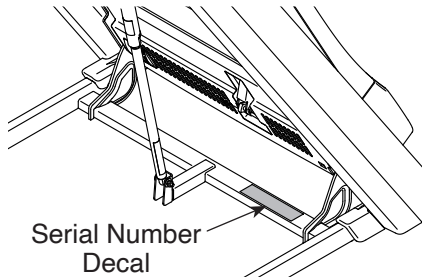
nordictrack.com

COMMERCIAL1750

Model No. NTL17125.0

Serial No. _____

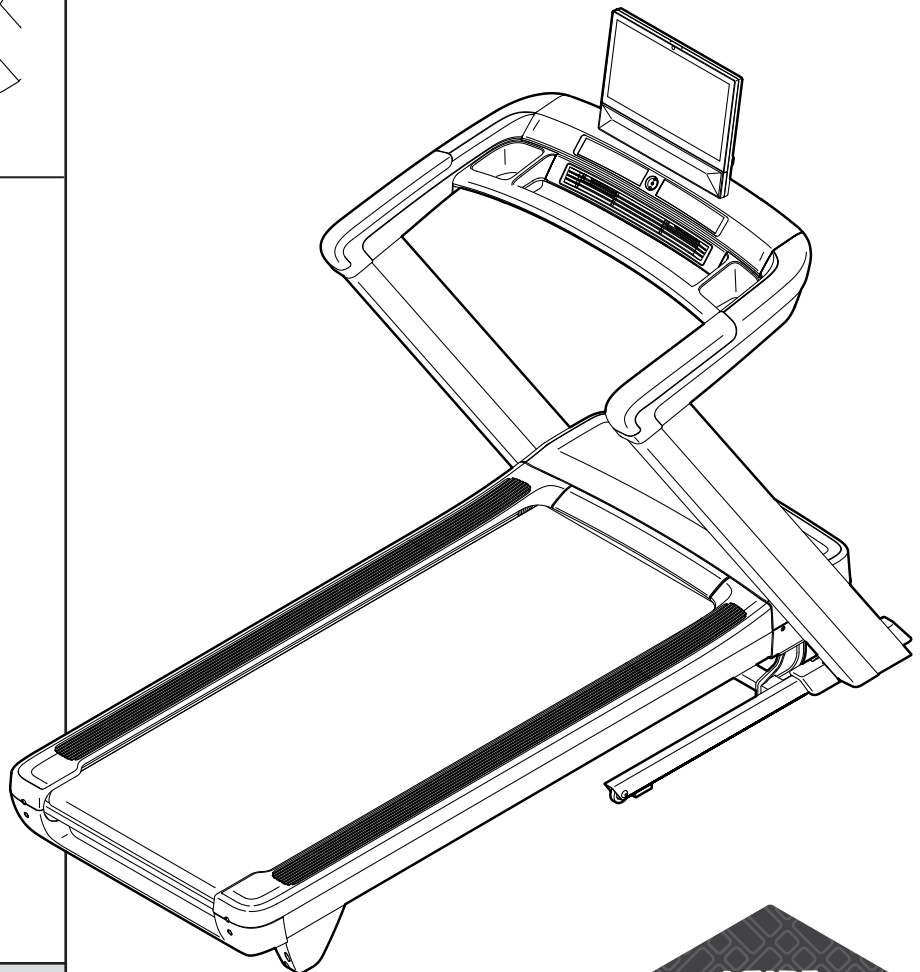
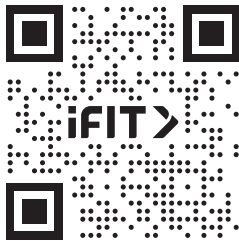
Write the serial number in the space above for reference.



USER'S MANUAL

MEMBER CARE

For service at any time, go to my.iFIT.com or scan the QR code below. PLEASE DO NOT CONTACT THE STORE.



⚠ CAUTION

Read all precautions and instructions in this manual before using this equipment. Keep this manual for future reference.



TABLE OF CONTENTS

WARNING DECAL PLACEMENT 2

IMPORTANT PRECAUTIONS..... 3

BEFORE YOU BEGIN..... 5

PART IDENTIFICATION CHART..... 6

ASSEMBLY..... 7

HOW TO PLUG IN THE POWER CORD 16

HOW TO USE THE TREADMILL 17

FCC INFORMATION 26

HOW TO FOLD AND MOVE THE TREADMILL 27

MAINTENANCE AND TROUBLESHOOTING..... 28

EXERCISE GUIDELINES 31

PART LIST..... 34

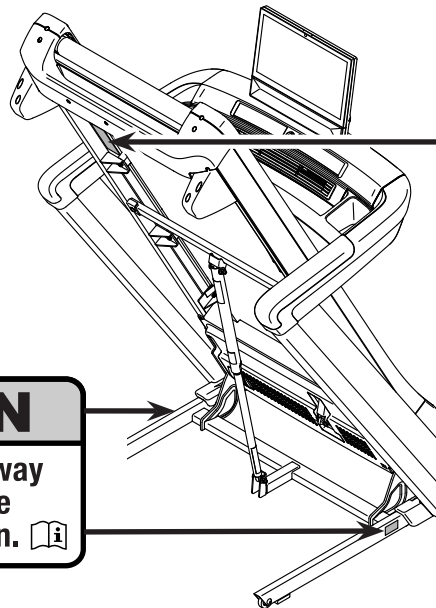
EXPLODED DRAWING..... 36

ORDERING REPLACEMENT PARTS..... Back Cover

LIMITED WARRANTY..... Back Cover





WARNING DECAL PLACEMENT

This drawing shows the locations of the warning decals. **If a decal is missing or illegible, see the front cover of this manual and request a free replacement decal. Apply the decal in the location shown.** Note: The decals may not be shown at actual size.



WARNING

To reduce the risk of serious injury, read user's manual and:

-  •Stand only on foot rails when starting or stopping.
-  •Never allow children on or around.
-  •Keep clothing, fingers, and hair away from moving parts.
- Change speed in small increments.
- Hold handrails to reduce risk of falling.
- Always wear clip while operating.
- Stop if you feel faint, dizzy, or short of breath.
- Set incline to zero before folding (power incline only).
- Fully engage the safety latch before moving or storing.
- Always remove key when not in use.
- Never adjust or fix the belt while it is moving.
- Always wear athletic shoes while operating. 

NORDICTRACK and IFIT are registered trademarks of iFIT Inc. The Bluetooth® word mark and logos are registered trademarks of Bluetooth SIG, Inc. and are used under license. Google Maps is a trademark of Google LLC. Wi-Fi is a registered trademark of Wi-Fi Alliance. WPA and WPA2 are trademarks of Wi-Fi Alliance.

IMPORTANT PRECAUTIONS

⚠️ WARNING: To reduce the risk of burns, fire, electric shock, or injury to persons, read all important precautions and instructions in this manual and all warnings on your treadmill before using your treadmill. iFIT assumes no responsibility for personal injury or property damage sustained by or through the use of this product.

1. It is the responsibility of the owner to ensure that all users of the treadmill are adequately informed of all warnings and precautions.
2. Keep children under age 16 and pets away from the treadmill at all times.
3. Consult your health care provider before beginning any exercise program. This is especially important for persons over age 35 or persons with pre-existing health problems.
4. Consult your health care provider before beginning or continuing any exercise program during pregnancy. Use the treadmill only as authorized by your health care provider.
5. The treadmill is not intended for use by persons with reduced physical, sensory, or mental capabilities or lack of experience and knowledge, unless they have been given supervision or instruction concerning the use of the treadmill by someone responsible for their safety.
6. Use the treadmill only as described in this manual.
7. The treadmill is intended for home use only. Do not use the treadmill in any commercial, rental, or institutional setting.
8. Keep the treadmill indoors, away from moisture and dust. Do not put the treadmill in a garage or covered patio, or near water.
9. Place the treadmill on a level surface, with at least 8 ft. (2.4 m) of clearance behind it and 2 ft. (0.6 m) on each side. Do not place the treadmill on any surface that blocks air openings. To protect the floor or carpet from damage, place a mat under the treadmill.
10. Do not operate the treadmill where aerosol products are used or where oxygen is being administered.
11. The treadmill should be used only by persons weighing 400 lbs. (182 kg) or less.
12. Never allow more than one person on the treadmill at a time.
13. Wear appropriate exercise clothes while using the treadmill. Do not wear loose clothes that could become caught in the treadmill. Athletic support clothes are recommended for both men and women. Always wear athletic shoes. Never use the treadmill with bare feet, wearing only stockings, or in sandals.
14. Plug the power cord into a surge suppressor (not included), and plug the surge suppressor into an appropriate outlet (see page 16). To avoid overloading the circuit, do not plug other electrical devices, except for low-power devices such as cell phone chargers, into the surge suppressor or into an outlet on the same circuit.
15. Use only a surge suppressor that meets all of the specifications described on page 16. To purchase a surge suppressor, see your local NORDICTRACK dealer, see the front cover of this manual, or see your local electronics store.
16. Failure to use a properly functioning surge suppressor could result in damage to the control system of the treadmill. If the control system is damaged, the walking belt may slow, accelerate, or stop unexpectedly, which may result in a fall and serious injury.
17. Keep the power cord away from heated surfaces.
18. Never move the walking belt while the power is turned off. Do not operate the treadmill if the power cord or plug is damaged, or if the treadmill is not working properly. (See MAINTENANCE AND TROUBLESHOOTING on page 28 if the treadmill is not working properly.)

19. Read, understand, and test the emergency stop procedure before using the treadmill (see HOW TO TURN ON THE CONSOLE on page 18). Always wear the clip while using the treadmill.
20. Be careful when mounting and dismounting the treadmill. Always stand on the foot rails when starting or stopping the walking belt. Always hold the handrails while using the treadmill.
21. When a person is walking on the treadmill, the noise level of the treadmill will increase.
22. Keep fingers, hair, and clothing away from the moving walking belt.
23. The treadmill is capable of high speeds. Adjust the speed in small increments to avoid sudden jumps in speed.
24. Never leave the treadmill unattended while it is running. Always remove the key, press the power switch into the off position (see the drawing on page 6 for the location of the power switch), and unplug the power cord when the treadmill is not in use.
25. Do not attempt to move the treadmill until it is properly assembled. (See ASSEMBLY on page 7 and HOW TO FOLD AND MOVE THE TREADMILL on page 27.) You must be able to safely lift 45 lbs. (20 kg) to move the treadmill.
26. When folding or moving the treadmill, make sure that the storage latch is holding the frame securely in the storage position. Do not operate the treadmill while it is folded.
27. Do not change the incline of the treadmill by placing objects under the treadmill.
28. Never insert any object into any opening on the treadmill.
29. Inspect and properly tighten all parts each time the treadmill is used. Replace any worn parts immediately. Use only manufacturer-supplied parts.
30. **DANGER:** Always unplug the power cord immediately after use, before cleaning the treadmill, and before performing the maintenance and adjustment procedures described in this manual. Never remove the motor hood unless instructed to do so by an authorized service representative. Servicing other than the procedures in this manual should be performed by an authorized service representative only.
31. Over exercising may result in serious injury or death. If you feel faint, if you become short of breath, or if you experience pain while exercising, stop immediately and cool down.

SAVE THESE INSTRUCTIONS

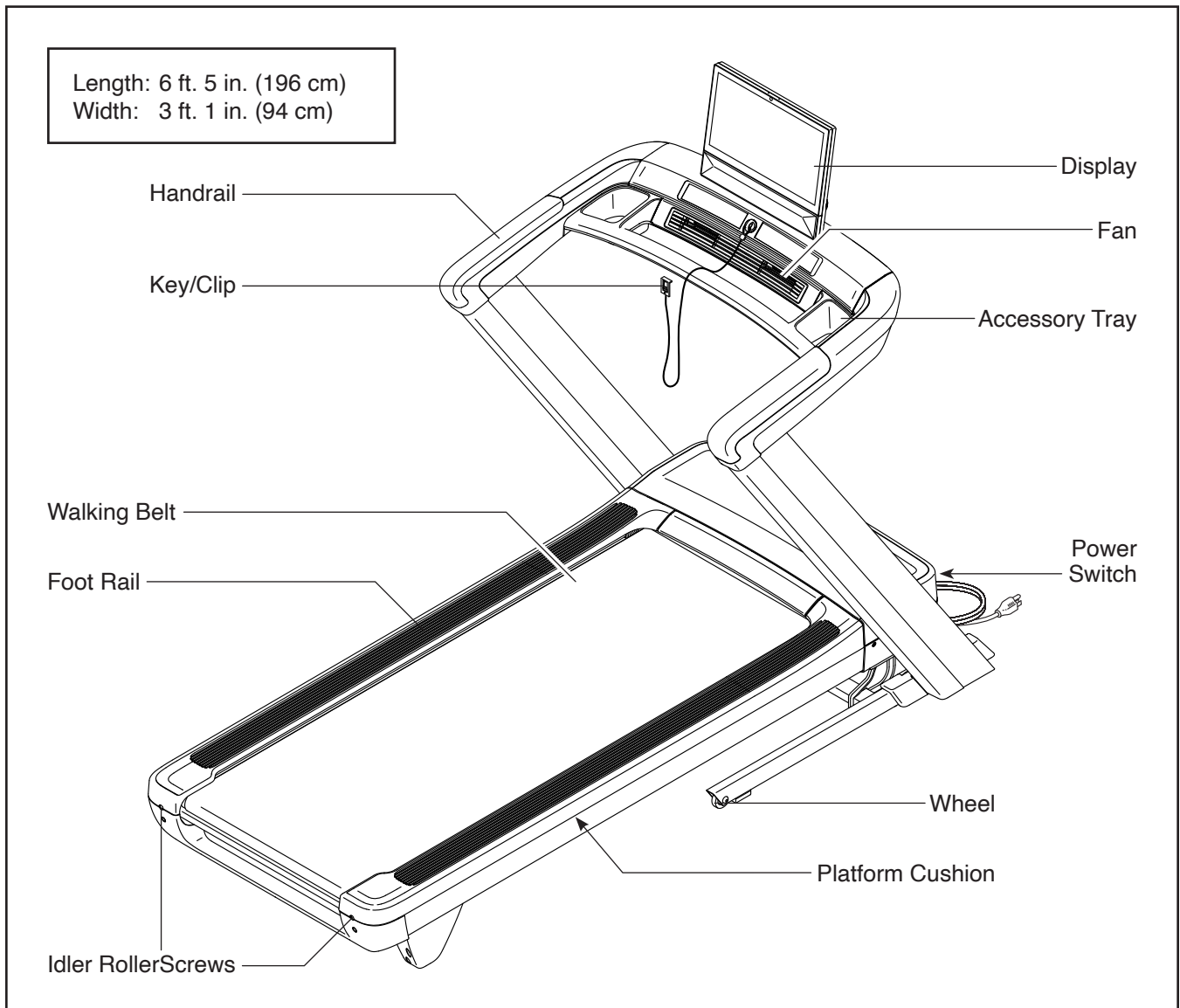
BEFORE YOU BEGIN

Thank you for selecting the new NORDICTRACK® COMMERCIAL 1750 treadmill. The COMMERCIAL 1750 treadmill provides a large selection of features designed to make your workouts at home more effective and enjoyable.

For your benefit, read this manual carefully before you use the treadmill. If you have questions after

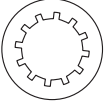
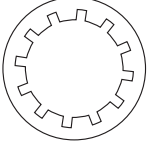
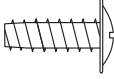
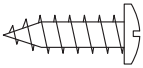
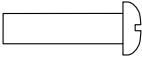
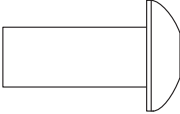
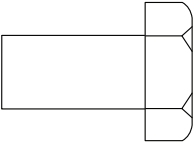

reading this manual, please see the front cover of this manual. To help us assist you, note the product model number and serial number before contacting us (see the front cover of this manual).

Before reading further, please familiarize yourself with the parts that are labeled in the drawing below.



PART IDENTIFICATION CHART

Use the drawings below to identify small parts used for assembly. The number in parentheses below each part is the key number of the part, from the PART LIST near the end of this manual. The number after the key number is the quantity required for assembly. **Note: If a part is not in the hardware kit, check to see whether it is pre-attached. Extra parts may be included.**

			
5/16" Star Washer (5)-2	3/8" Star Washer (8)-12		
			
Ground Screw (3)-1	#8 x 5/8" Screw (132)-2	M4 x 16mm Screw (4)-2	5/16" x 3/4" Screw (6)-4
			
3/8" x 3/4" Screw (1)-8	3/8" x 2 3/4" Screw (40)-4		

ASSEMBLY

- Assembly requires two persons.
- Place all parts in a cleared area and remove the packing materials. Do not dispose of the packing materials until you finish all assembly steps.
- After shipping, there may be an oily substance on the exterior of the treadmill. This is normal. If there is an oily substance on the treadmill, wipe it off with a soft cloth and a mild, non-abrasive cleaner.
- Left parts are marked “L” or “Left” and right parts are marked “R” or “Right.”
- To identify small parts, see page 6.
- Assembly can be completed using the included tools. Note: Keep the included tools. One or more of the tools may be needed to make adjustments in the future. To avoid damaging parts, do not use power tools for assembly or adjustment.

1.

For assistance with assembly, scan the QR code at the right and watch the assembly video.

1



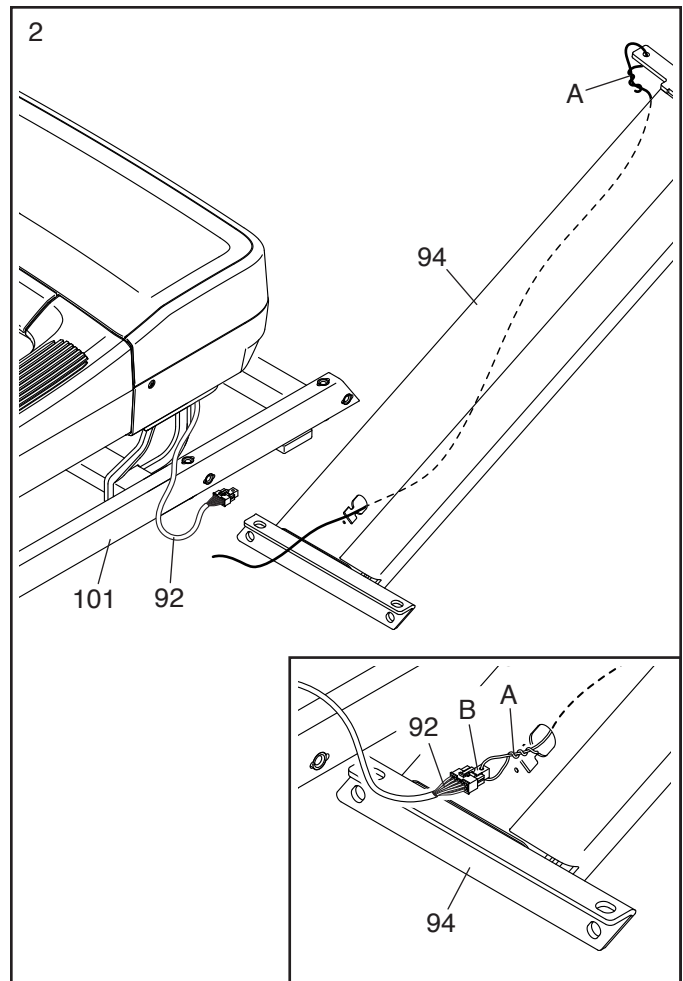
2. **Make sure that the power cord is unplugged.**

Remove any ties securing the Upright Wire (92) to the right side of the Base (101).

Next, identify the Right Upright (94), and have a second person hold it near the Base (101).

See the inset drawing. Locate the wire tie (A) in the Right Upright (94). Tie the wire tie through the wire pull (B) on the Upright Wire (92). Next, insert the wire pull and the Upright Wire into the Right Upright.

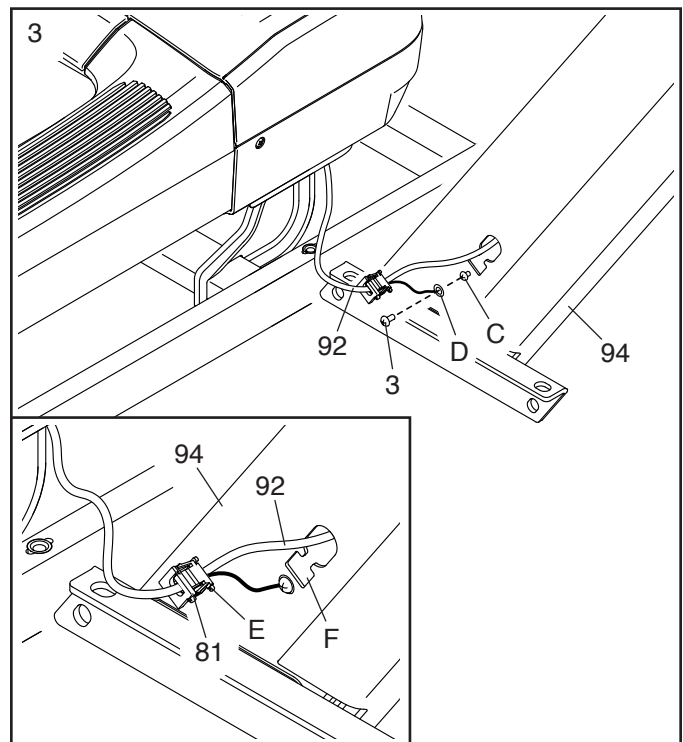
Then, pull the upper end of the wire tie (A) until the Upright Wire (92) is routed through the Right Upright (94). **Do not untie the wire tie from the Right Upright yet.**



3. Remove the indicated screw (C) from the Right Upright (94); **discard the screw.**

Next, attach the ground wire (D) on the Upright Wire (92) to the Right Upright (94) with a Ground Screw (3).

See the inset drawing. Locate the small ear (E) on the Grommet (81) on the Upright Wire (92). Insert the ear into the square hole (F) in the Right Upright (94), and then press the Grommet into the square hole.

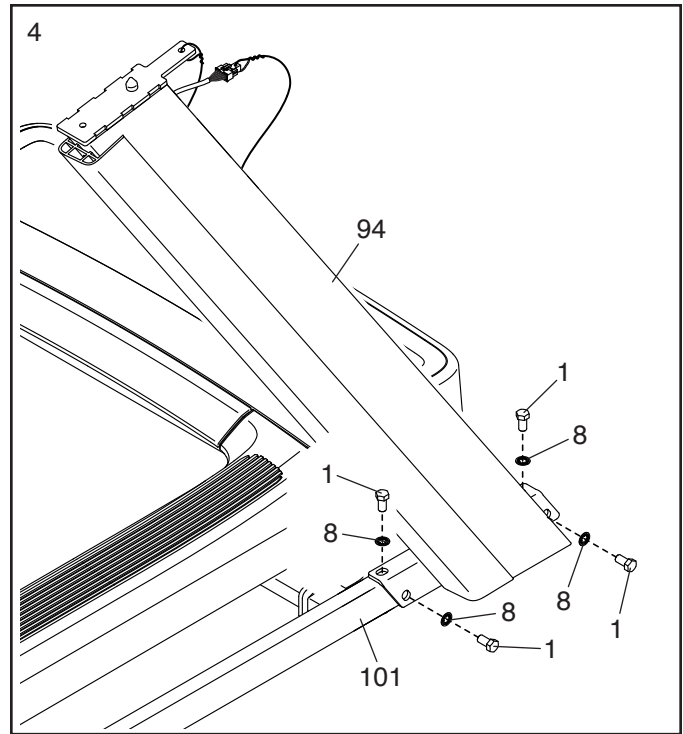


4. Have a second person hold the Right Upright (94) on the Base (101).

Insert two 3/8" x 3/4" Screws (1) with two 3/8" Star Washers (8) into the top of the bracket on the Right Upright (94), and partially tighten the Screws into the Base (101); **do not fully tighten the Screws yet.**

Finish attaching the Right Upright (94) with two additional 3/8" x 3/4" Screws (1) and 3/8" Star Washers (8); **do not fully tighten the Screws yet.**

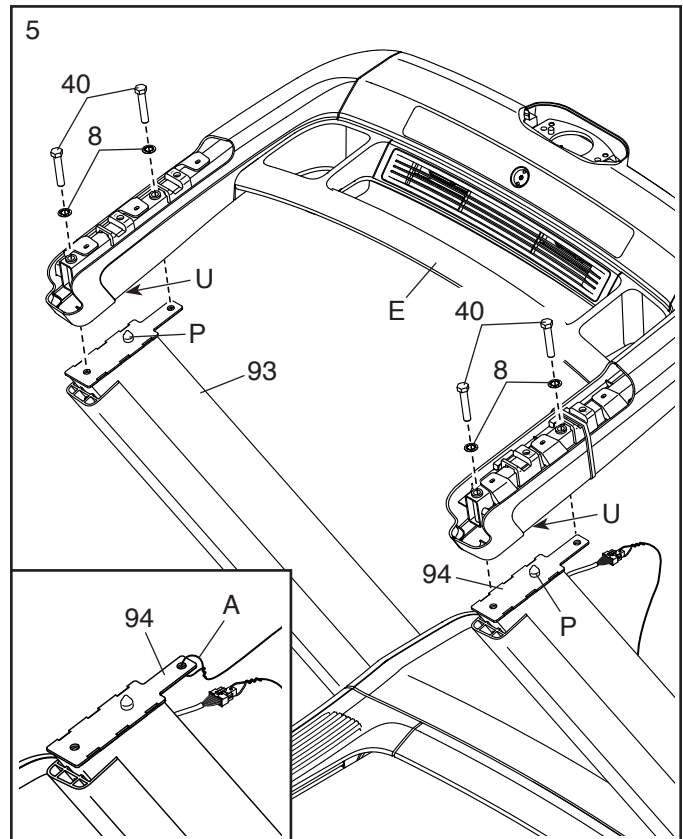
Attach the Left Upright (not shown) in the same way. Note: There is not a wire on the left side.



5. **See the inset drawing.** Untie the wire tie (A) from the Right Upright (94).

Next, have a second person hold the handrail assembly (E) on the Left and Right Uprights (93, 94). Note: The handrail assembly has slots (U) that fit over the locator pins (P).

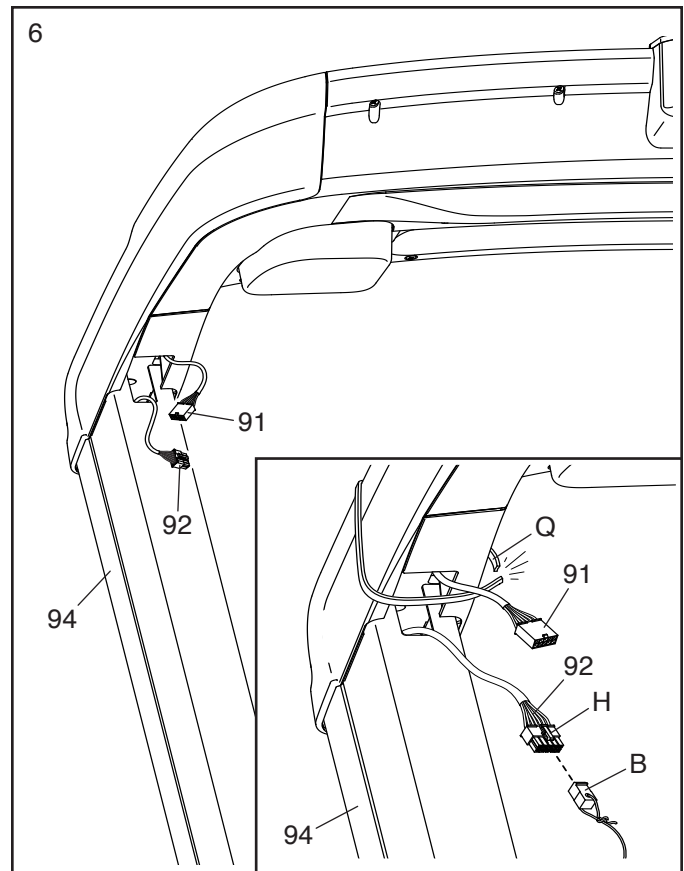
Attach the handrail assembly (E) with four 3/8" x 2 3/4" Screws (40) and four 3/8" Star Washers (8); **start all four Screws, and then tighten them.**



6. **See the inset drawing.** Press the small latch (H) on the connector on the Upright Wire (92), and remove and discard the wire pull (B). Then, cut and discard the plastic tie (Q) securing the Handrail Wire (91).

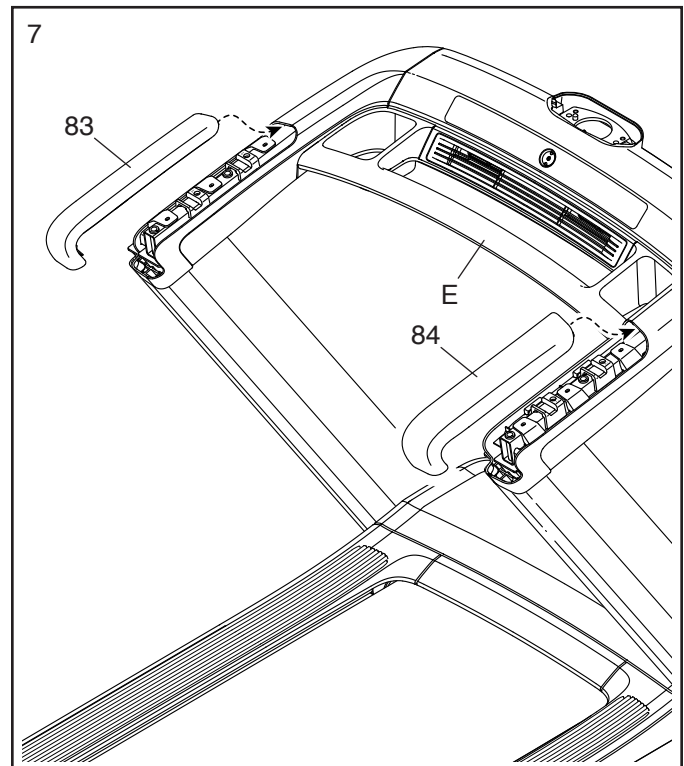
Next, connect the Upright Wire (92) to the Handrail Wire (91). **IMPORTANT: The wire connectors should slide together easily and snap into place with an audible click. You must connect the wires properly for your treadmill to function properly.**

Then, insert the connectors and the excess wire into the Right Upright (94).



7. Identify the Right Handrail Cover (84). Insert the front edge of the Right Handrail Cover into the right side of the handrail assembly (E), and press down on the top of the Right Handrail Cover until it snaps into place.

Attach the Left Handrail Cover (83) in the same way.

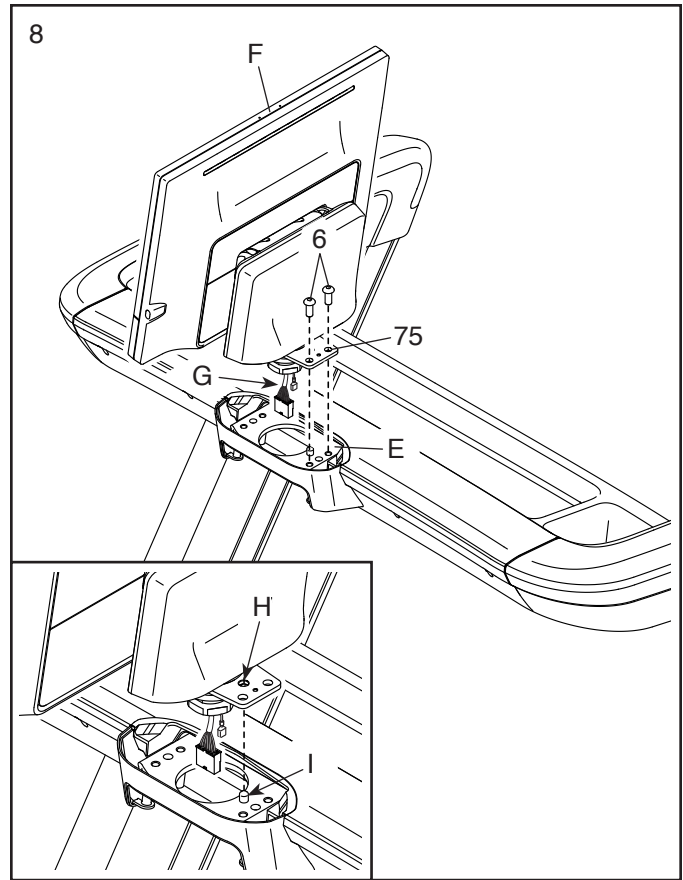


8. **Remove the tag (not shown) from the Pivot Plate (75) on the console assembly (F).**

Next, have a second person hold the console assembly (F) near the handrail assembly (E). **See the inset drawing.** Make sure that the console assembly is oriented so that the indicated hole (H) is aligned with the locator pin (I).

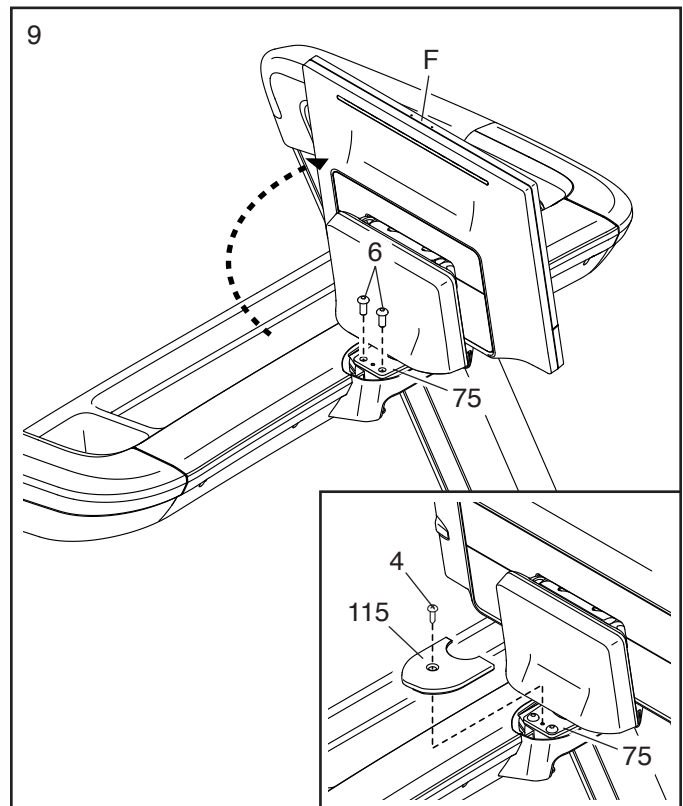
Next, insert the console wires (G) downward through the round opening in the handrail assembly (E) as you set the console assembly (F) on the handrail assembly. **Do not pinch the wires.**

Attach the console assembly (F) with two 5/16" x 3/4" Screws (6); **do not fully tighten the Screws yet.**



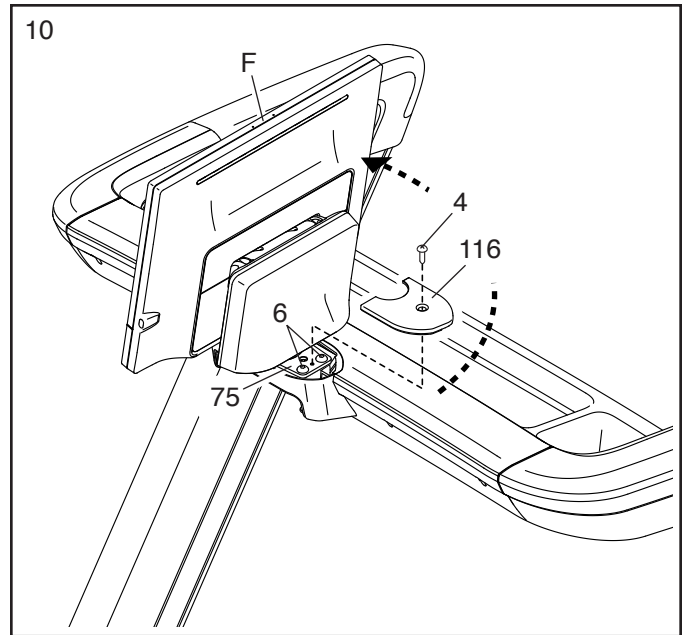
9. **Rotate the console assembly (F) so that it faces the opposite direction.** Tighten two 5/16" x 3/4" Screws (6) into the Pivot Plate (75); **start both Screws, and then firmly tighten them.**

See the inset drawing. Identify the Left Pivot Cover (115). Attach the Left Pivot Cover to the Pivot Plate (75) with an M4 x 16mm Screw (4); **do not overtighten the Screw.**



10. **Rotate the console assembly (F) back to its original position.** Firmly tighten the two 5/16" x 3/4" Screws (6) that you attached in step 8.

Then, attach the Right Pivot Cover (116) to the Pivot Plate (75) with an M4 x 16mm Screw (4); **do not overtighten the Screw.**

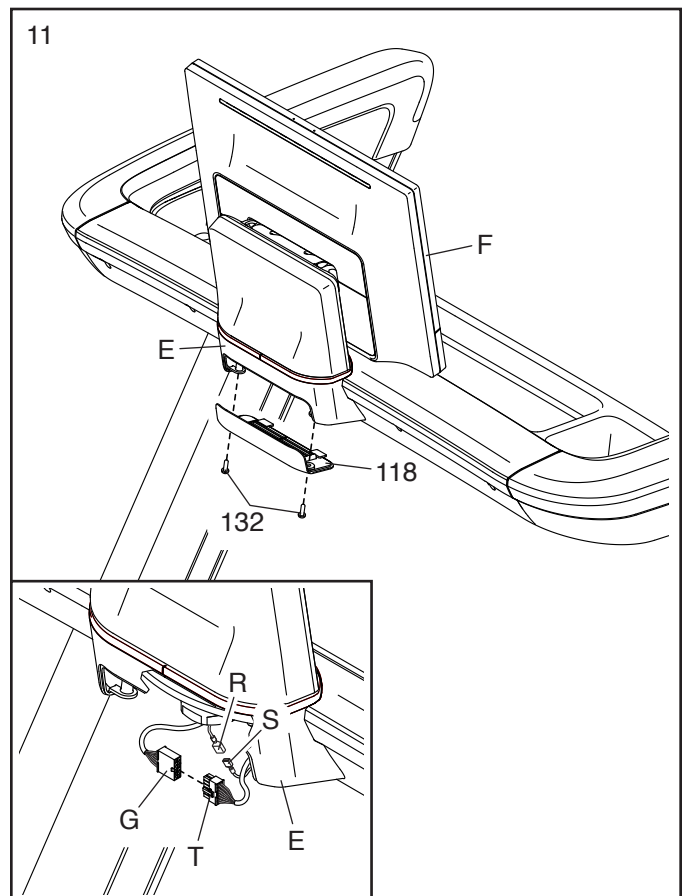


11. **Rotate the console assembly (F) to the position shown.**

See the inset drawing. Connect the console ground wire (R) to the ground wire (S) in the handrail assembly (E).

See the inset drawing. Next, connect the console wire (G) to the wire (T) in the handrail assembly (E). **IMPORTANT: The wire connectors should slide together easily and snap into place with an audible click. You must connect the wires properly for your treadmill to function properly.**

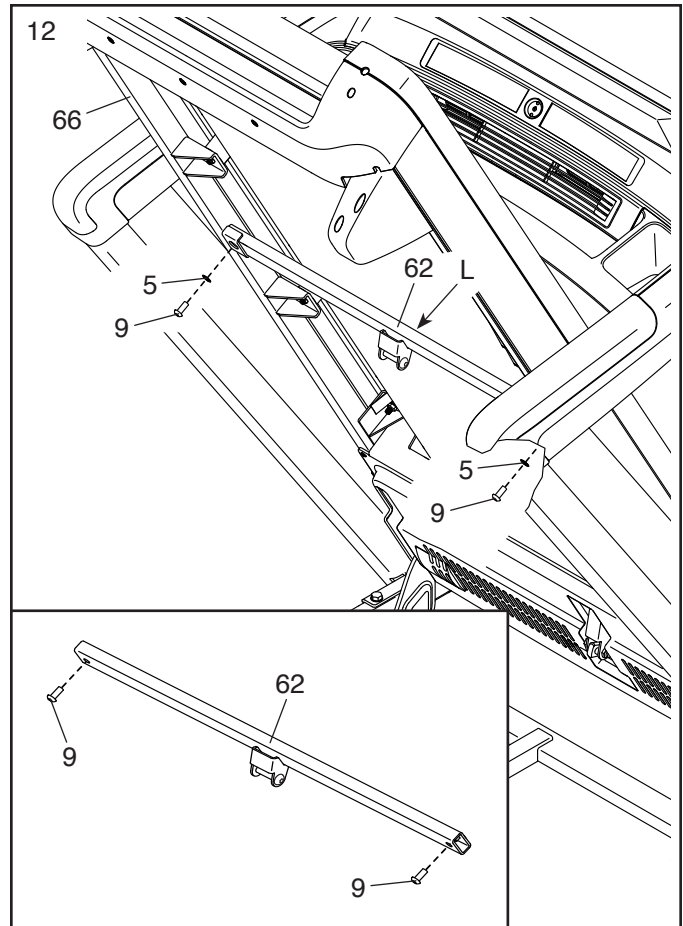
Then, carefully push all wires into the handrail assembly (E), and attach the Access Cover (118) with two #8 x 5/8" Screws (132); **do not overtighten the Screws.**



12. Raise the Frame (66) to the position shown.
IMPORTANT: Have a second person hold the Frame until step 14 is completed.

See the inset drawing. Remove the two 5/16" x 1" Screws (9) from the Latch Crossbar (62).

Then, orient the Latch Crossbar (62) as shown, **with the "This side toward belt" sticker (L) facing the treadmill.** Attach the Latch Crossbar to the Frame (66) with the two 5/16" x 1" Screws (9) that you just removed and two 5/16" Star Washers (5).

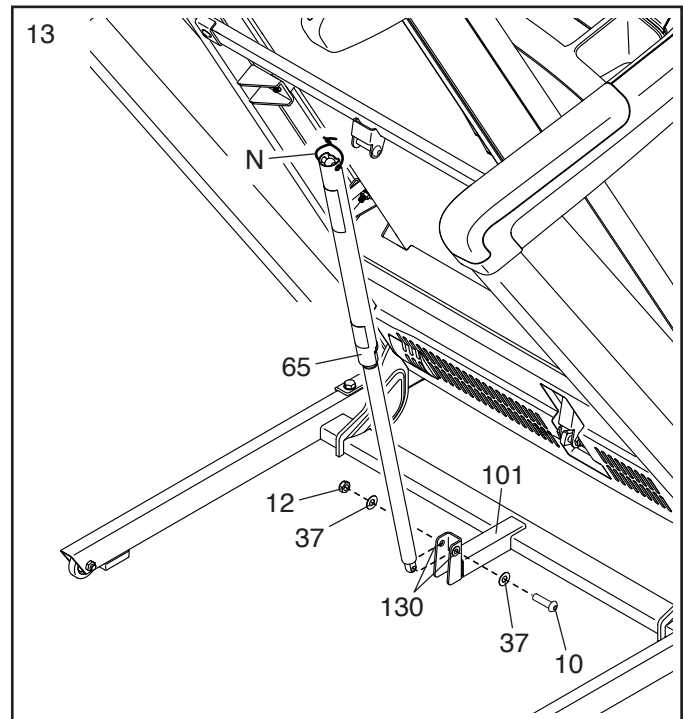


13. Remove the 5/16" Nut (12), the two 3/8" Thrust Washers (37), and the 5/16" x 1 3/4" Bolt (10) from the Base (101). **Note: If a 5/16" Bushing (130) comes out, reinsert it.**

Next, orient the Storage Latch (65) as shown.

Attach the Storage Latch (65) to the Base (101) with the 5/16" x 1 3/4" Bolt (10), the two 3/8" Thrust Washers (37), and the 5/16" Nut (12) that you just removed.

Then, remove the tie (N) from the Storage Latch (65).

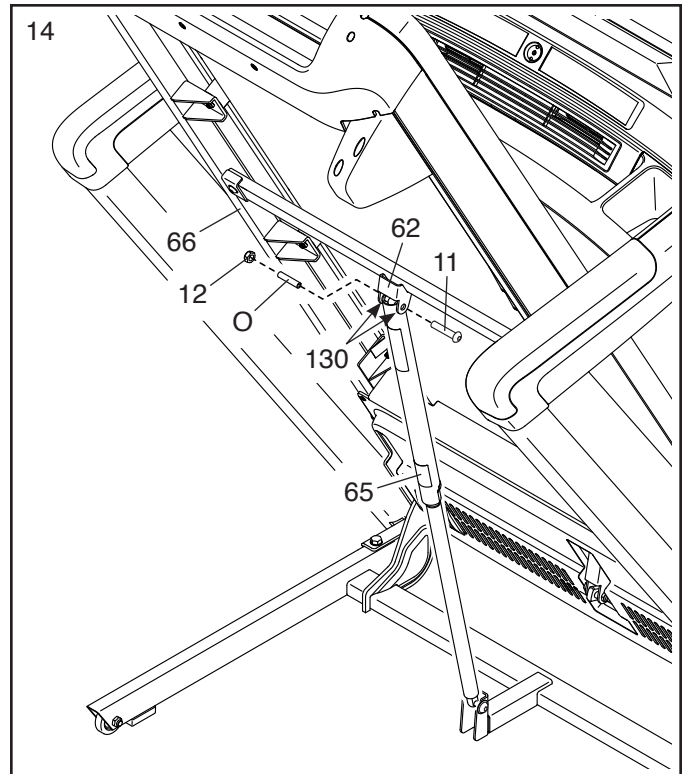


14. Remove the 5/16" Nut (12) and the 5/16" x 2 1/4" Bolt (11) from the Latch Crossbar (62).

Next, align the Storage Latch (65) with the bracket on the Latch Crossbar (62), and insert the 5/16" x 2 1/4" Bolt (11) through the bracket and the Storage Latch. **This will push a spacer (O) out of the Storage Latch; discard the spacer. Note: If a 5/16" Bushing (130) comes out, reinsert it.**

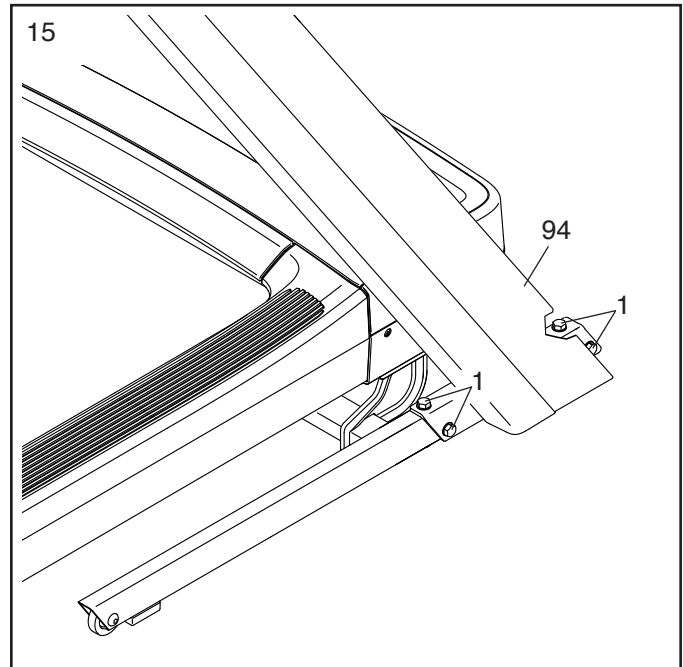
Next, tighten the 5/16" Nut (12) onto the 5/16" x 2 1/4" Bolt (11). **Do not overtighten the Nut; the Storage Latch (65) must be able to pivot.**

Then, lower the Frame (66) (see HOW TO LOWER THE TREADMILL FOR USE on page 27).



15. Firmly tighten the four 3/8" x 3/4" Screws (1) in the Right Upright (94).

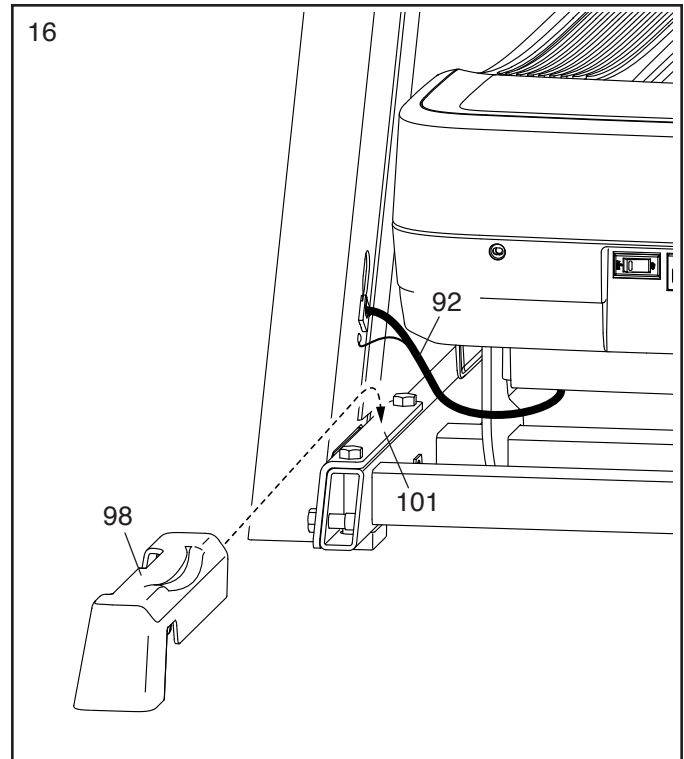
Repeat this step on the left side of the treadmill.



16. Identify the Right Base Cover (98). Slide the Right Base Cover under the Upright Wire (92) and onto the Base (101). **Make sure that the Right Base Cover is under the Upright Wire.**

Repeat this step on the left side of the treadmill with the Left Base Cover (not shown).

Note: There is not a wire on the left side.



17. **Make sure that all parts are properly tightened before you use the treadmill.** If there are sheets of plastic on the treadmill decals, remove the plastic. To protect the floor or carpet, place a mat under the treadmill. To avoid damage to the console, keep the treadmill out of direct sunlight. Keep the included tools in a secure place; one or more of the tools may be needed to make adjustments to the treadmill in the future. Note: Extra hardware may be included.

HOW TO PLUG IN THE POWER CORD

USE A SURGE SUPPRESSOR

Your treadmill, like other electronic equipment, can be damaged by sudden voltage changes in your home's power. Voltage surges, spikes, and noise interference can result from weather conditions or from other appliances being turned on or off. **To decrease the risk of damaging the treadmill, always use a surge suppressor (A) with the treadmill. To purchase a surge suppressor, see precaution 15 on page 3.**

Use only a surge suppressor (A) that is UL 1449 listed as a transient voltage surge suppressor (TVSS). The surge suppressor must have a UL suppressed voltage rating of 400 volts or less and a minimum surge dissipation of 450 joules. The surge suppressor must also be electrically rated for 120 volts AC and 15 amps. There must be a monitoring light on the surge suppressor to indicate whether it is functioning properly. **Failure to use a properly functioning surge suppressor could result in damage to the control system of the treadmill and serious injury to users.**

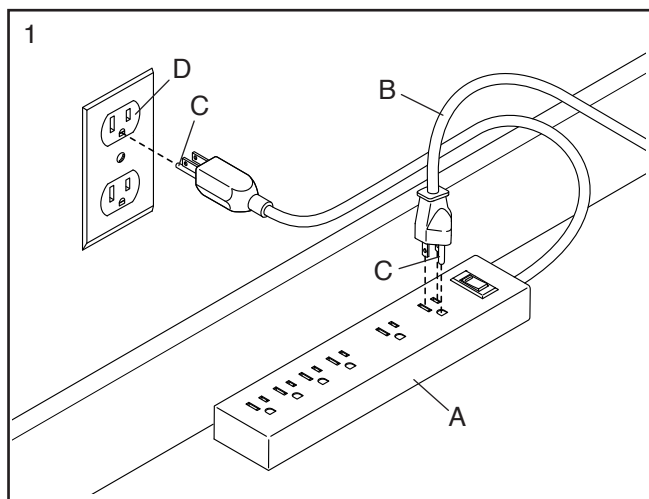
PLUG IN THE POWER CORD

The treadmill must be grounded. If it should malfunction or break down, grounding provides a path of least resistance for electric current to reduce the risk of electric shock. The treadmill power cord (B) has a plug with a grounding pin (C) (see drawing 1 on this page).

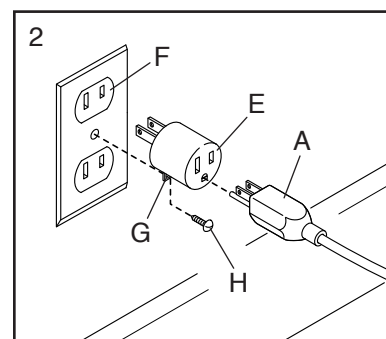
⚠ DANGER: Improper connection of the power cord increases the risk of electric shock. Do not modify the plug—if it will not fit an outlet, have a proper outlet installed by a qualified electrician. If you are unsure whether the treadmill is properly grounded, contact a qualified electrician.

Plug the power cord (B) into a surge suppressor (A), and plug the surge suppressor into an appropriate outlet (D) that is properly installed and grounded in accordance with all local codes and ordinances. **The outlet must be on a nominal 120-volt circuit capable of carrying 15 or more amps. To avoid**

overloading the circuit, do not plug other electrical devices, except for low-power devices such as cell phone chargers, into the surge suppressor or into an outlet on the same circuit. IMPORTANT: If the treadmill is connected to an AFCI-equipped outlet and your circuit breaker trips repeatedly when the treadmill is used, see the front cover of this manual to purchase an arc filter.

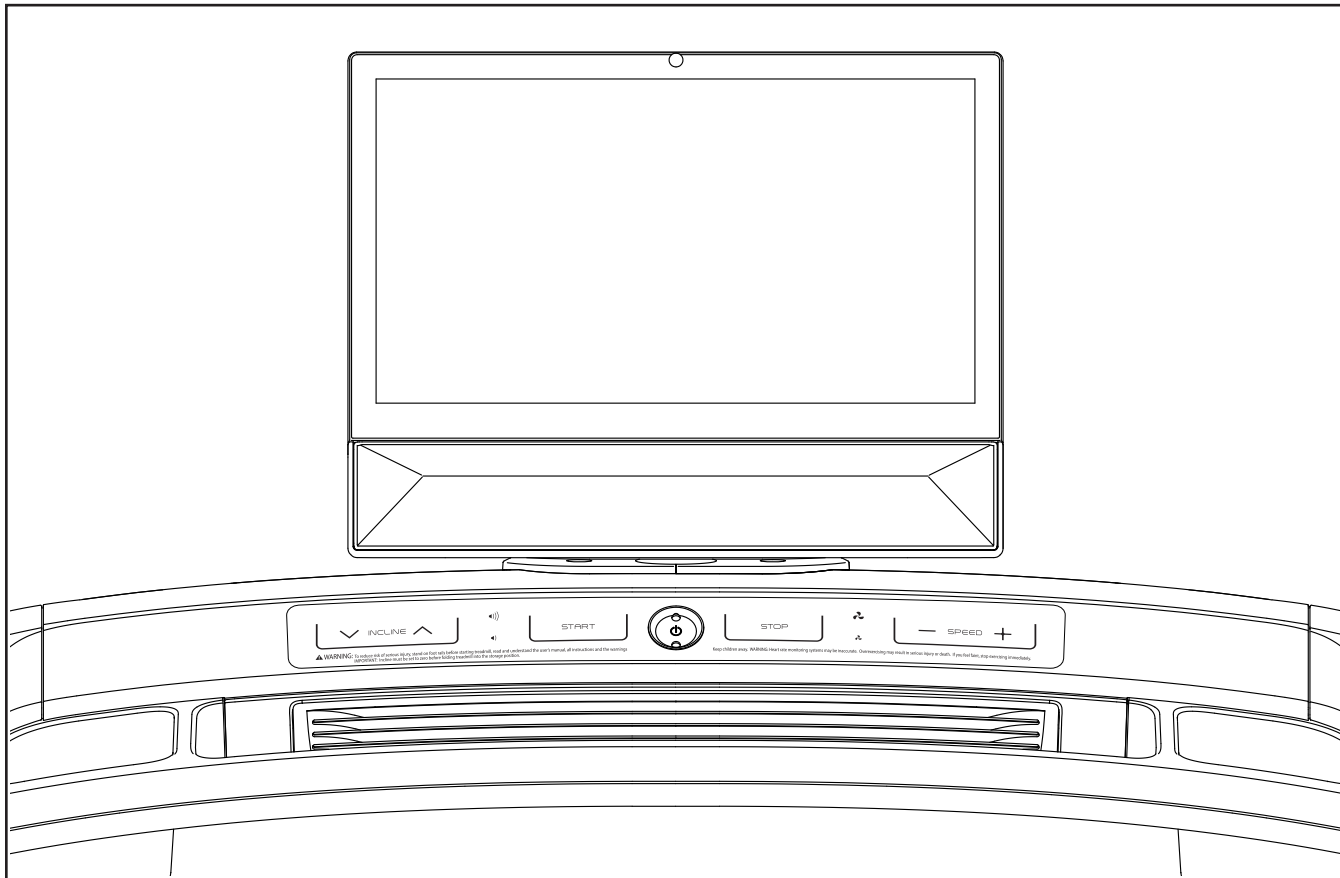


A temporary adapter (E) may be used to connect the surge suppressor (A) to a 2-pole receptacle (F) if a properly grounded outlet is not available.



The lug (G) or wire extending from the adapter must be connected with a metal screw (H) to a permanent ground such as a properly grounded outlet box cover. **Some 2-pole receptacle outlet box covers are not grounded. Before using an adapter, contact a qualified electrician to determine whether the outlet box cover is grounded. The temporary adapter should be used only until a properly grounded outlet can be installed by a qualified electrician.**

HOW TO USE THE TREADMILL



IMPORTANT: iFIT will periodically update your console's software to improve your workout experience. After a software update, some settings and features described in this manual may no longer apply to your console, and your console may have new settings and features. Take time to explore your console's settings and features. **If you have questions, please visit my.iFIT.com or contact Member Care.**

FEATURES OF THE CONSOLE

The advanced console offers a selection of features designed to make your workouts more effective and exciting.

When you use the manual mode of the console, you can change the speed and incline of the treadmill with a touch of a button. As you exercise, the console will display instant exercise feedback.

The console also features wireless technology that enables the console to connect to iFIT®. With iFIT, you can choose from a changing selection of featured workouts that automatically control the speed and incline of the treadmill as iFIT trainers guide you through immersive exercise sessions.

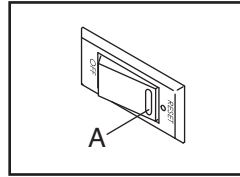
With an iFIT subscription, you can access a library of thousands of on-demand destination and studio workouts, create your own workouts, track your workout results, and access many other features. Go to iFIT.com to learn more.

IMPORTANT: To prevent damage to the treadmill, wear clean athletic shoes while using the treadmill. The first time you use the treadmill, observe the alignment of the walking belt, and center it if necessary (see page 29).

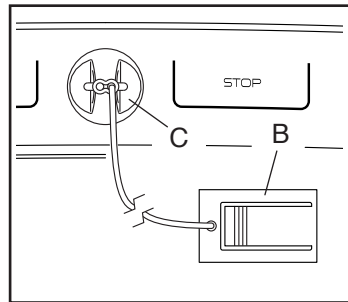
HOW TO TURN ON THE CONSOLE

IMPORTANT: If the treadmill has been exposed to cold temperatures, allow it to warm to room temperature before you turn on the console. If you do not do this, you may damage electrical components.

Plug in the power cord. Next, locate the power switch on the treadmill frame near the power cord. Press the power switch into the reset position (A).



Next, **stand on the foot rails of the treadmill.** Locate the clip (B) attached to the key (C), and slide the clip securely onto the waistband of your clothes. Then, insert the key into the console. **IMPORTANT: In an emergency, the**



key can be pulled from the console, causing the walking belt to slow to a stop. Test the clip by taking a few steps backward; if the key is not pulled from the console, adjust the position of the clip.

HOW TO TURN OFF THE CONSOLE

When you finish using the treadmill, remove the key from the console and put it in a secure place. Then, press the power switch into the off position and unplug the power cord. **IMPORTANT: If you do not do this, the electrical components of the treadmill may wear prematurely.**

IMPORTANT: To avoid damaging the treadmill, adjust the incline to 0% before you fold the treadmill.

HOW TO USE THE TOUCH SCREEN

The console features a full-color touch screen. You can slide or flick your finger against the screen to move some images on the screen. Note: The screen is not pressure sensitive; you do not need to press hard.

To type information into a text box, touch the text box to view the keyboard. To use numbers or other characters, touch $?123$. To view more characters, touch $\sim\{<$. To return to the letter keyboard, touch ABC . To use a capital character, touch the shift button (upward-facing arrow symbol). To clear text, touch the clear button (backward-facing arrow with an X).

HOW TO SET UP THE CONSOLE

Before you use the treadmill for the first time, set up the console.

1. Choose your time zone.

2. Connect to a wireless network.

To use iFIT workouts and several other features of the console, the console must be connected to a wireless network. If necessary, see page 24 for detailed instructions.

3. Create or sign in to your iFIT account.

Follow the prompts on the screen to create an iFIT account or to log in to your iFIT account. Available subscription options will be shown.

4. Check for software updates.

Touch the console settings button (gear icon) on the screen. Next, touch *Equipment* and then touch *Software update*. Software updates will begin automatically. **IMPORTANT: To avoid damaging the treadmill, do not press the power switch or unplug the power cord while the software is being updated.** See page 23 for detailed instructions.

The console is now ready for you to begin working out. Take a moment to explore the settings and features of the console.

HOW TO USE THE MANUAL MODE

1. Select the home screen.

When you turn on the console, the home screen will appear after the console boots up. If you have already selected a workout, touch the screen and follow the prompts to end the workout and return to the home screen.

2. Get ready for the workout.

Touch *Quick start* on the screen or press the Start button on the console. The walking belt will start to move at a slow speed.

To use the fan, your Bluetooth headphones, or an optional heart rate monitor, see page 25.

3. Change the speed of the walking belt as desired.

You can change the speed of the walking belt in the following ways:

Speed buttons on the console—Each time you press a button, the speed setting will change; if you hold down a button, the speed setting will change more quickly.

Numbered speed buttons on the right side of the screen—Each time you touch a button, the walking belt will gradually change speed until it reaches the selected speed setting.

Note: To turn on and turn off the numbered speed buttons on the screen, touch the workout settings icon in the lower-right corner of the screen and then touch *Controls*.

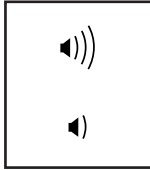
4. Change the incline of the treadmill as desired.

You can change the incline of the treadmill in the same way as the speed, using the Incline buttons on the console or the numbered incline buttons on the left side of the screen.

5. Follow your progress.

The console offers several display modes. Touch the workout settings icon in the lower-right corner of the screen to turn on and turn off options such as *metrics* and *charts*.

To adjust the volume level, touch the workout settings icon in the lower-right corner of the screen and then touch *Audio*. There may also be volume increase and decrease buttons on the console.



6. Pause or end the workout.

To pause the workout, first **step onto the foot rails**. Next, touch the pause symbol next to the word *Workout* at the bottom of the screen or press the Stop button on the console. To continue the workout, touch *Resume* on the screen or press the Start button on the console.

To end the workout, first **step onto the foot rails**. Next, touch the pause symbol next to the word *Workout* on the screen and then touch *End*, or press the Stop button on the console. A workout summary will appear. Touch the back arrow button in the upper-left corner of the screen to return to the home screen.

7. When you are finished using the treadmill, turn off the console (see page 18).

HOW TO USE A FEATURED WORKOUT

To use a featured workout, the console must be connected to a wireless network.

1. Select the home screen.

When you turn on the console, the home screen will appear after the console boots up. If you have already selected a workout, touch the screen and follow the prompts to end the workout and return to the home screen.

2. Select a workout.

To select a workout, slide or flick the screen to scroll vertically or horizontally to see all available workouts. You can also touch the *Search* icon on the left side of the screen and search for workouts by categories such as duration, location, trainer, and so forth. Then, touch the desired workout image on the screen.

The featured workouts on your console will change periodically. To save a featured workout for future use, add it as a favorite by touching the favorites button (heart symbol). Note: You must be logged in to your iFIT account to save a featured workout (see step 2 on page 22).

When you select a workout, the screen will show an overview of the workout with details such as the duration and distance of the workout and the estimated number of calories that you will burn during the workout.

3. Get ready for the workout.

Touch *Start workout*. The walking belt will start to move at a slow speed and a warm-up period will begin.

To use the fan, your Bluetooth headphones, or an optional heart rate monitor, see page 25.

4. Start the workout.

Walk until the warm-up period ends or touch *Skip warmup*.

During some workouts, an iFIT trainer will guide you through an immersive video workout. Touch the workout settings icon in the lower-right corner of the screen and then touch *Audio* to select music, trainer voice, and volume options for the workout.

During some workouts, the screen will show a map of the route and a marker indicating your progress. Touch the buttons on the screen to select the desired map options.

During the workout, the speed and incline of the treadmill will change automatically according to the settings of the workout. **If the speed and/or incline level is too high or too low**, you can manually override the setting (see steps 3 and 4 on page 19). To return to the programmed speed and/or incline settings of the workout, touch *Follow Trainer*.

If the SmartAdjust feature is enabled, the console will scale the intensity of the workout automatically based on your manual overrides of the speed and incline settings. **To enable the SmartAdjust feature**, touch the workout settings icon in the lower-right corner of the screen and then touch *Features*.

IMPORTANT: The calorie goal shown in the workout description is only an estimate. The actual number of calories that you burn will depend on various factors such as your weight. In addition, if you manually change the speed or incline level during the workout, the number of calories that you burn will be affected.

If the ActivePulse feature is enabled, the console will scale the intensity of the workout automatically based on your heart rate when you use a compatible heart rate monitor. **To enable the ActivePulse feature**, touch the workout settings icon in the lower-right corner of the screen and then touch *Features*.

To follow your progress, see step 5 on page 20.

To pause or end the workout, see step 6 on page 20.

5. When you are finished using the treadmill, turn off the console (see page 18).

HOW TO CREATE AND USE A CUSTOM WORKOUT

To create and use a custom workout, you must be logged in to your iFIT account and the console must be connected to a wireless network.

1. Select the home screen.

When you turn on the console, the home screen will appear after the console boots up. If you have already selected a workout, touch the screen and follow the prompts to end the workout and return to the home screen.

2. Create a custom workout.

First, touch the *Create* icon on the left side of the screen. Next, touch either *Workout builder* or *Set a goal*.

If you selected *Workout builder*, touch *Create your workout* and enter the desired time, speed, and incline settings and the desired number of sets to create an interval workout. To name the workout, touch the pencil icon next to *My Workout*. Then, touch *Save*.

If you selected *Set a goal*, enter the desired time, speed, and incline settings. To name the workout, touch the pencil icon next to *My Workout*. Then, touch *Save*.

3. Get ready for the workout.

Touch *Start Workout*. The walking belt will start to move at a slow speed and a warm-up period will begin.

To use the fan, your Bluetooth headphones, or an optional heart rate monitor, see page 25.

4. Start the workout.

Walk until the warm-up period ends or touch *Skip warmup*. The workout will function in the same way as a featured workout.

5. When you are finished using the treadmill, turn off the console (see page 18).

HOW TO USE AN iFIT WORKOUT

To use an iFIT workout, you must be logged in to your iFIT account and the console must be connected to a wireless network. **For more information about iFIT, go to iFIT.com.**

1. Select the home screen.

When you turn on the console, the home screen will appear after the console boots up. If you have already selected a workout, touch the screen and follow the prompts to end the workout and return to the home screen.

2. Log in to your iFIT account.

If you have not done so, touch the console settings button (gear icon) on the screen and then touch *Membership* to log in to your iFIT account. Follow the prompts on the screen to enter your username and password.

Note: To switch users within your iFIT account, select the home screen and then touch the circular icon in the lower-left corner of the screen. If more than one user is associated with the account, a list of users will appear. Touch the name of the desired user.

3. Select an iFIT workout from the home screen or the workout library.

To select an iFIT workout, slide or flick the screen to scroll vertically or horizontally to see all available workouts. You can also touch the *Search* icon on the left side of the screen and search for workouts by categories such as duration, location, trainer, and so forth. Then, touch the desired workout image on the screen.

When you select an iFIT workout, the screen will show an overview of the workout that includes details such as the duration and distance of the workout and the approximate number of calories that you will burn during the workout.

You can also select options such as adding the workout to your schedule (see step 4) or marking the workout as a favorite (see step 5).

4. Schedule an iFIT workout on the calendar if desired.

To schedule an iFIT workout for a future date, simply view the overview or workout summary of the desired iFIT workout, touch the calendar icon, and then select the desired date on the calendar. When the selected date arrives, the iFIT workout that you scheduled will appear on the home screen.

5. Create a list of favorite iFIT workouts if desired.

To mark an iFIT workout as a favorite, simply view the overview or workout summary of the desired iFIT workout and touch the favorites button (heart symbol).

To view a list of iFIT workouts that you have marked as favorites, touch the heart icon at the top of the home screen.

6. Get ready for the workout.

Touch *Start Workout*. The walking belt will start to move at a slow speed and a warm-up period will begin.

To use the fan, your Bluetooth headphones, or an optional heart rate monitor, see page 25.

7. Start the workout.

Walk until the warm-up period ends or touch *Skip warmup*. The workout will function in the same way as a featured workout.

8. When you are finished using the treadmill, turn off the console (see page 18).

HOW TO CHANGE CONSOLE SETTINGS

1. Select the console settings menu.

When you turn on the console, the home screen will appear after the console boots up. If you have already selected a workout, touch the screen and follow the prompts to end the workout and return to the home screen.

Then, touch the console settings button (gear icon) on the screen.

2. Navigate the console settings menu.

You may be able to view and change settings in the following settings menus:

Your account

- Account info, password
- Health details

Preferences

- Wi-Fi
- Units of measurement
- Time zone
- Language
- iFIT AI Coach

Workout

- ActivePulse
- Max speed

Equipment

- About
- Update Software
- Calibrate

Membership

- Manage membership
- Plan profiles

Support

- Report an issue
- Help
- Legal

3. Customize settings.

The console can display speed and distance in either Imperial (standard) or metric units of measurement. To change the unit of measurement or to change other settings, touch *Preferences* or *Equipment* and then touch the desired settings.

4. Update the console software.

For the best results, regularly check for software updates. Touch *Equipment* and then touch *Software update*. Software updates will begin automatically. **IMPORTANT: To avoid damaging the treadmill, do not press the power switch or unplug the power cord while the software is being updated.**

When the update is complete, the console will turn off and then turn back on. If it does not, press the power switch into the off position, wait for several seconds, and then press the power switch into the reset position. Note: Software updates are always designed to improve your workout experience. After a software update, some settings and features described in this manual may no longer apply to your console, and your console may have new settings and features.

5. Calibrate the incline system.

To calibrate the incline system, touch *Equipment*, touch *Calibrate*, and then touch *Calibrate*. The frame will rise to the maximum incline level, descend to the minimum incline level, and then return to the starting position. When the incline system is calibrated, touch *Finish*. **IMPORTANT: Keep pets, feet, and other objects away from the treadmill while the incline system is calibrating. In an emergency, remove the key from the console to stop the incline calibration.** Note: The incline system may occasionally calibrate automatically when you turn on the treadmill. Wait for the frame to stop moving before you attempt to use the treadmill.

6. Exit the console settings menu.

To exit the console settings menu, touch the X in the upper-left corner of the screen.

HOW TO CHANGE WORKOUT SETTINGS

1. Select the workout settings menu.

Touch the workout settings icon in the lower-right corner of the screen.

2. Navigate the workout settings menu and customize workout settings.

You may be able to view and change settings in the following menus:

Audio

- App volume
- Speaker volume

Fan

Bluetooth

Features

- SmartAdjust
- ActivePulse

Display

- iFIT Closed Captions
- Screen brightness

Note: Some workout controls are disabled when no workout is running.

3. Exit the workout settings menu.

To exit the workout settings menu, touch the X in the lower-right corner of the screen.

HOW TO CONNECT TO A WIRELESS NETWORK

1. Select the console settings menu.

With the home screen selected, touch the console settings button (gear icon) on the screen and then touch *Preferences*.

2. Set up and manage a wireless network connection.

Touch *Wi-Fi* to select the wireless network menu. If *Wi-Fi* is not enabled, touch the *Wi-Fi* toggle to enable it. When Wi-Fi is enabled, the screen will show a list of available networks. Note: It may take a moment for the list of wireless networks to appear.

Note: You must have your own wireless network and an 802.11b/g/n router with SSID broadcast enabled (hidden networks are not supported). The console supports unsecured and secured (WEP, WPA™, and WPA2™) encryption. A broadband connection is recommended; performance depends on connection speed.

When a list of networks appears, touch the desired network. Note: You will need to know your network name (SSID). If your network has a password, you will also need to know the password. Follow the prompts on the screen to enter your password and connect to the selected wireless network. Passwords are case-sensitive.

When the console is connected to your wireless network, a confirmation message will appear on the screen.

If you have problems connecting to an encrypted network, make sure that your password is correct. **If you have questions after following these instructions, please go to my.iFIT.com for assistance.**

3. Exit the console settings menu.

To exit the console settings menu, touch the X in the upper-left corner of the screen.

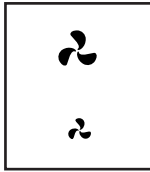
HOW TO USE THE CHARGING PORT

The console features a charging port to charge USB-C compatible devices, such as smartphones and tablets, while you exercise.

To use the charging port, plug a USB-C charging cable (not included) into the receptacle on your device and into the charging port on the right side of the console; **make sure that the USB-C charging cable is fully plugged in.** Note: The charging port cannot be used to view or transfer data or to play music through the console sound system.

HOW TO USE THE FAN

The fan has multiple speed settings, including an auto mode. While the auto mode is selected, the speed of the fan will automatically change as the speed of the walking belt changes. To control the fan, touch the workout settings icon in the lower-right corner of the screen and then touch *Fan* or press the fan buttons on the console.



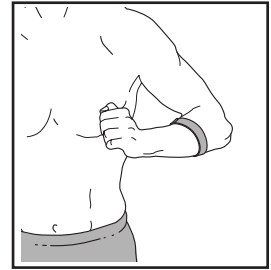
HOW TO CONNECT HEADPHONES

To connect your Bluetooth headphones to the console, first turn on your headphones, put them in pairing mode, and place them near the console. Next, start a workout. Then, touch the workout settings icon in the lower-right corner of the screen, touch *Bluetooth*, and select your headphones from the list on the screen.

When your headphones and the console pair successfully, the audio from the console will play through your headphones.

HOW TO USE AN OPTIONAL HEART RATE MONITOR

Whether your goal is to burn fat or to strengthen your cardiovascular system, the key to achieving the best results is to maintain the proper heart rate during your workouts. The optional heart rate monitor will enable you to continuously monitor your heart rate while you exercise, helping you to reach your personal fitness goals. The console is compatible with all Bluetooth® Smart heart rate monitors. **To purchase an optional heart rate monitor, please see the front cover of this manual.**



When your compatible heart rate monitor is turned on and placed in pairing mode, the console will connect to it automatically. When your heartbeat is detected, your heart rate will be shown on the screen.

FCC INFORMATION

This console has been tested and found to comply with the limits for a Class B digital device, pursuant to part 15 of the FCC Rules. These limits are designed to provide reasonable protection against harmful interference in a residential installation. This equipment generates, uses, and can radiate radio frequency energy and, if not installed and used in accordance with the instructions, may cause harmful interference to radio communications. However, there is no guarantee that interference will not occur in a particular installation. If this equipment does cause harmful interference to radio or television reception, which can be determined by turning the equipment off and on, try to correct the interference by one or more of the following measures:

- Reorient or relocate the receiving antenna.
- Increase the separation between the equipment and the receiver.
- Connect the equipment into an outlet on a circuit different from that to which the receiver is connected.
- Consult the dealer or an experienced radio/TV technician for help.

FCC CAUTION: To assure continued compliance, use only shielded interface cables when connecting to computer or peripheral devices. Changes or modifications not expressly approved by the party responsible for compliance could void the user's authority to operate this equipment.

IMPORTANT: To satisfy exposure compliance requirements, the antenna and transmitter in the console must be at least 8 in. (20 cm) from all persons and must not be near or connected to any other antenna or transmitter.

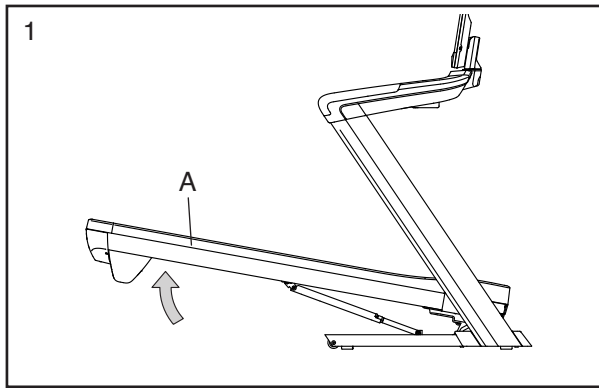
Note: The console contains FCC ID: OMC453084 (Compal) or OMC453584V (CVTE).

HOW TO FOLD AND MOVE THE TREADMILL

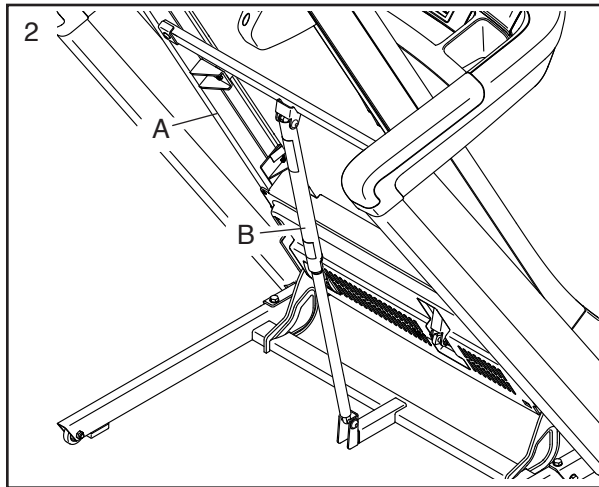
HOW TO FOLD THE TREADMILL

To avoid damaging the treadmill, adjust the incline to 0% before you fold the treadmill. Then, remove the key and unplug the power cord. **CAUTION:** You must be able to safely lift 45 lbs. (20 kg) to raise, lower, or move the treadmill.

1. Hold the metal frame (A) firmly in the location shown by the arrow below. **CAUTION: Do not hold the frame by the plastic foot rails. Bend your legs and keep your back straight.**



2. Raise the frame (A) until the storage latch (B) locks in the storage position. **CAUTION: Make sure that the storage latch locks.**

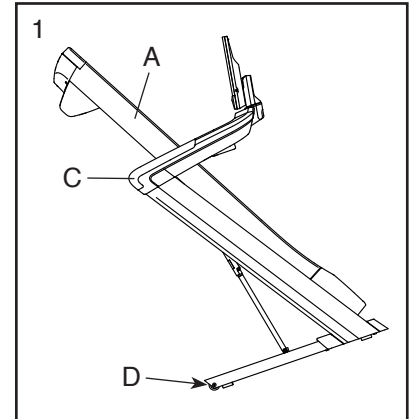


To protect the floor or carpet, place a mat under the treadmill. Keep the treadmill out of direct sunlight. Do not leave the treadmill in the storage position in temperatures above 85°F (30°C).

HOW TO MOVE THE TREADMILL

Before moving the treadmill, fold it as described at the left. **CAUTION: Make sure that the storage latch is in the locked position. Moving the treadmill requires two people. Take any necessary measures to avoid damaging your floor.**

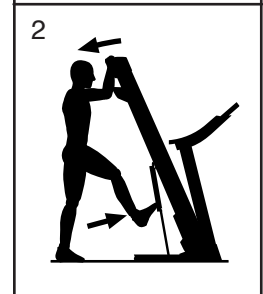
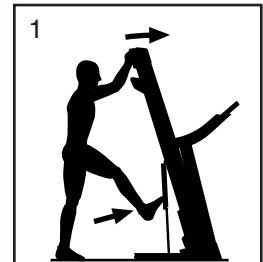
1. Hold the frame (A) and one of the handrails (C), and place one foot against a wheel (D).



2. Pull back on the handrail (C) until the treadmill will roll on the wheels (D), and carefully move it to the desired location. **CAUTION: Do not move the treadmill without tipping it back, do not pull on the frame, and do not move the treadmill over an uneven surface.**
3. Place one foot against a wheel (D), and carefully lower the treadmill.

HOW TO LOWER THE TREADMILL FOR USE

1. Push the upper end of the frame forward, and gently press the upper part of the storage latch with your foot at the same time.
2. While pressing the storage latch with your foot, pull the upper end of the frame toward yourself.
3. Step back and let the frame descend to the floor.



MAINTENANCE AND TROUBLESHOOTING

MAINTENANCE

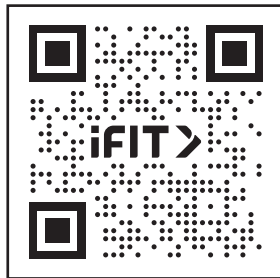
Regular maintenance is important for optimal performance and to reduce wear. Inspect and properly tighten all parts each time the treadmill is used.

Replace any worn parts immediately. Use only manufacturer-supplied parts.

Regularly clean the treadmill and keep the walking belt clean and dry. First, **press the power switch into the off position and unplug the power cord.** Wipe exterior parts of the treadmill with a damp cloth and a small amount of mild soap. **IMPORTANT: Do not spray liquids directly onto the treadmill. To avoid damage to the console, keep liquids away from the console.** Then, thoroughly dry the treadmill with a soft towel.

TROUBLESHOOTING

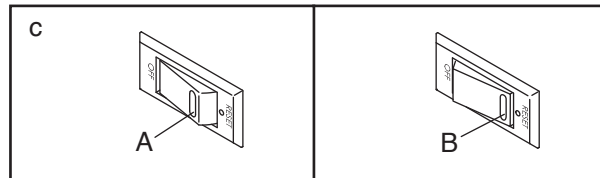
Many problems can be solved with the simple steps in this section. Find the symptom that applies, and follow the steps listed. If further assistance is needed, go to my.iFIT.com, scan the QR code at the right, or call 1-833-680-IFIT (1-833-680-4348).



SYMPTOM: The power does not turn on

- Make sure that the power cord is plugged into a surge suppressor, and that the surge suppressor is plugged into a properly grounded outlet (see page 16). Use only a surge suppressor that meets all of the specifications described on page 16. **IMPORTANT: If the treadmill is connected to an AFCI-equipped outlet and your circuit breaker trips repeatedly when the treadmill is used, see TROUBLESHOOTING above to purchase an arc filter.**
- After the power cord has been plugged in, make sure that the key is inserted into the console.

- Check the power switch located on the treadmill frame near the power cord. If the switch protrudes as shown (A), the switch has tripped. To reset the power switch, wait for five minutes and then press the switch back in (B).



SYMPTOM: The power turns off during use

- Check the power switch (see drawing c above). If the switch has tripped, wait for five minutes and then press the switch back in.
- Make sure that the power cord is plugged in. If the power cord is plugged in, unplug it, wait for five minutes, and then plug it back in.
- Remove the key from the console, and then reinsert it.
- If the treadmill still will not run, please see TROUBLESHOOTING at the left for further assistance.

SYMPTOM: The incline of the treadmill does not change correctly

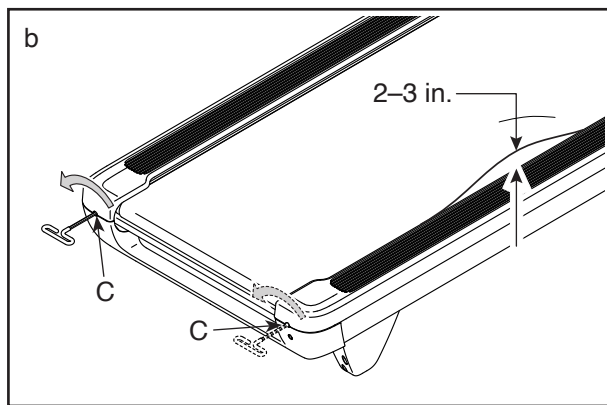
- See step 7 on page 24 to calibrate the incline system.

SYMPTOM: The treadmill will not connect to the wireless network

- Make sure that the wireless settings on the console are correct (see page 24).
- Make sure that the settings for your wireless network are correct.
- If you still have questions, go to my.iFIT.com.

SYMPTOM: The walking belt slows when walked on

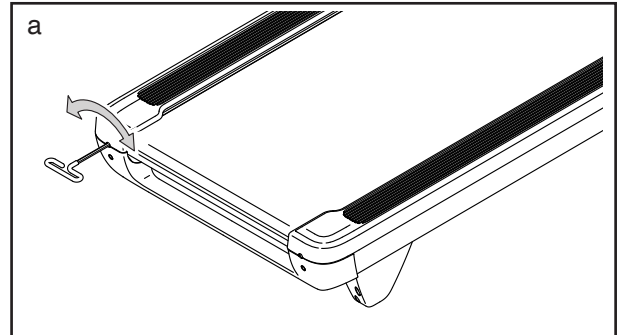
- a. Use only a surge suppressor that meets all of the specifications described on page 16.
- b. If the walking belt is overtightened, treadmill performance may decrease and the walking belt may become damaged. Remove the key and **UNPLUG THE POWER CORD**. Using the hex key, turn both idler roller screws (C) counterclockwise, 1/4 of a turn. When the walking belt is properly tightened, you should be able to lift each edge of the walking belt 2 to 3 in. (5 to 7 cm) off the walking platform. **Be careful to keep the walking belt centered.** Then, plug in the power cord, insert the key, and walk on the treadmill for a few minutes. Repeat until the walking belt is properly tightened.



- c. Your treadmill features a walking belt coated with high-performance lubricant. **IMPORTANT: Never apply silicone spray or other substances to the walking belt or the walking platform unless instructed to do so by an authorized service representative. Such substances may deteriorate the walking belt and cause excessive wear.** If you suspect that the walking belt needs more lubricant, please see TROUBLESHOOTING on page 28 for further assistance.
- d. If the walking belt still slows when walked on, please see TROUBLESHOOTING on page 28 for further assistance.

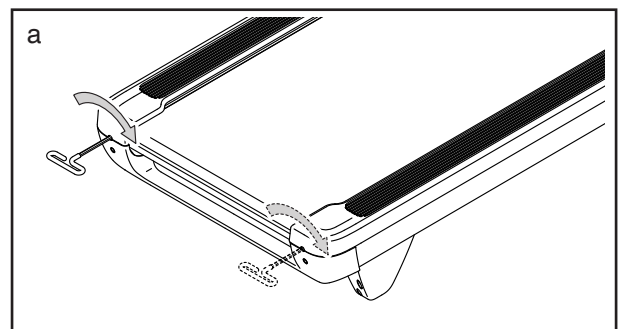
SYMPTOM: The walking belt is off-center

- a. First, remove the key and **UNPLUG THE POWER CORD**. If the walking belt has shifted to the left, use the hex key to turn the left idler roller screw clockwise 1/2 of a turn; if the walking belt has shifted to the right, turn the left idler roller screw counterclockwise 1/2 of a turn. **Be careful not to overtighten the walking belt.** Then, plug in the power cord, insert the key, and walk on the treadmill for a few minutes. Repeat until the walking belt is centered.



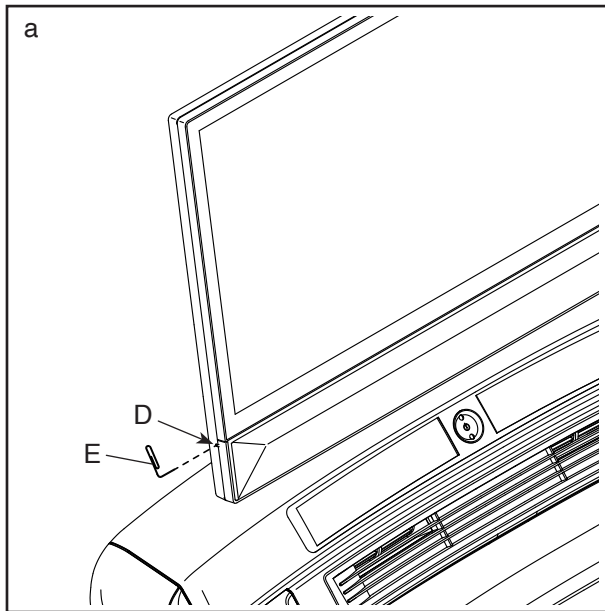
SYMPTOM: The walking belt slips when walked on

- a. First, remove the key and **UNPLUG THE POWER CORD**. Using the hex key, turn both idler roller screws clockwise, 1/4 of a turn. When the walking belt is correctly tightened, you should be able to lift each edge of the walking belt 2 to 3 in. (5 to 7 cm) off the walking platform. **Be careful to keep the walking belt centered.** Then, plug in the power cord, insert the key, and walk on the treadmill for a few minutes. Repeat until the walking belt is properly tightened.



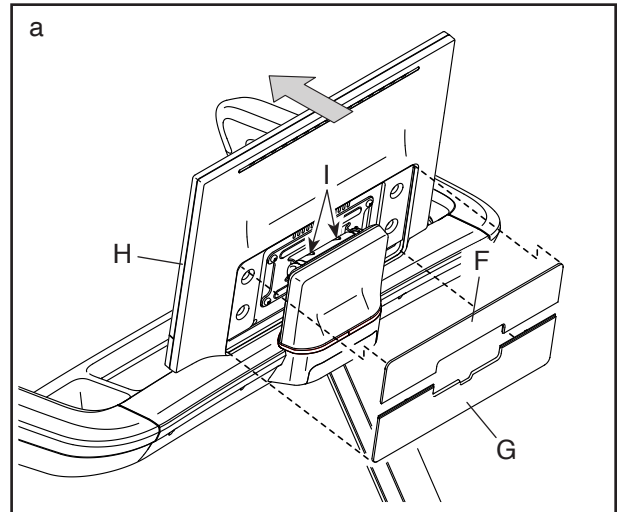
SYMPTOM: The displays of the console do not function properly

- a. If the console does not boot up properly, or if the console freezes and does not respond, reset the console to the factory default settings. **IMPORTANT: Doing this will erase all of the custom settings that you have made to the console. Resetting the console requires two people.** First, press the power switch into the off position. Next, locate the indicated small opening (D) on the left side of the console. Using a bent paper clip (E), press and hold the small button inside of the opening and have a second person press the power switch into the on/reset position. Continue to hold the button inside of the opening until the console turns on. When the reset operation is complete, the console will turn off and then turn back on. If it does not, use the power switch to turn the treadmill off and then on again. Once the console turns on, check for firmware updates (see step 6 on page 24). **Note: It may take a moment for the console to be ready for use.**



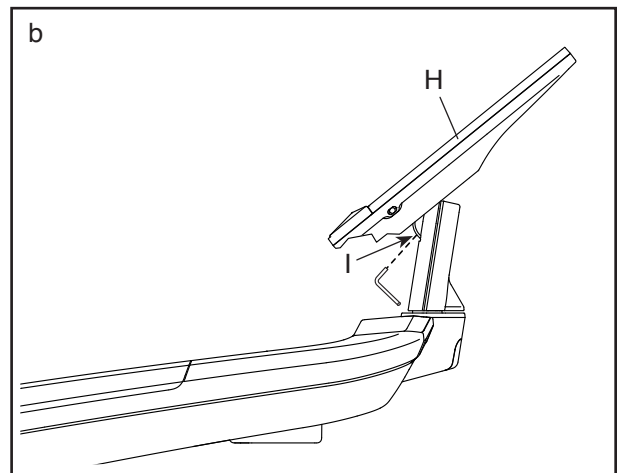
SYMPTOM: The console does not stay in place when it is tilted upward and downward

- a. Using a standard screwdriver, carefully pry the upper console cover (F) and then the lower console cover (G) off the console (H). **Be careful to avoid damaging these parts.**



Next, tilt the top of the console (H) in the direction shown by the arrow, and use one of the included hex keys to tighten the two indicated M6 x 15mm screws (I) a small amount.

- b. Tilt the console (H) to the position shown, and use the hex key to tighten the two indicated M6 x 15mm screws (I) a small amount, until the upward and downward movement of the console no longer feels loose. Then, see the upper drawing and reattach the lower console cover (G) and then the upper console cover (F).



EXERCISE GUIDELINES

⚠️ WARNING: Before beginning this or any exercise program, consult your physician. This is especially important for persons over age 35 or persons with pre-existing health problems.

These guidelines will help you to plan your exercise program. For detailed exercise information, obtain a reputable book or consult your physician. Remember, proper nutrition and adequate rest are essential for successful results.

EXERCISE INTENSITY

Whether your goal is to burn fat or to strengthen your cardiovascular system, exercising at the proper intensity is the key to achieving results. You can use your heart rate as a guide to find the proper intensity level. The chart below shows recommended heart rates for fat burning and aerobic exercise.

165	155	145	140	130	125	115	♥️
145	138	130	125	118	110	103	♥️
125	120	115	110	105	95	90	♥️
<hr/>							
20	30	40	50	60	70	80	

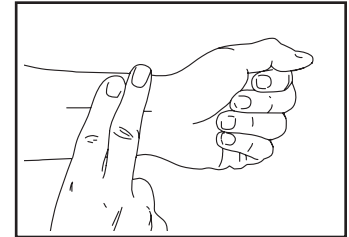
To find the proper intensity level, find your age at the bottom of the chart (ages are rounded off to the nearest ten years). The three numbers listed above your age define your “training zone.” The lowest number is the heart rate for fat burning, the middle number is the heart rate for maximum fat burning, and the highest number is the heart rate for aerobic exercise.

Burning Fat—To burn fat effectively, you must exercise at a low intensity level for a sustained period of time. During the first few minutes of exercise, your body uses carbohydrate calories for energy. Only after the first few minutes of exercise does your body begin to use stored fat calories for energy. If your goal is to burn fat, adjust the intensity of your exercise until your heart rate is near the lowest number in your training zone. For maximum fat burning, exercise with your heart rate near the middle number in your training zone.

Aerobic Exercise—If your goal is to strengthen your cardiovascular system, you must perform aerobic exercise, which is activity that requires large amounts of oxygen for prolonged periods of time. For aerobic exercise, adjust the intensity of your exercise until your heart rate is near the highest number in your training zone.

HOW TO MEASURE YOUR HEART RATE

To measure your heart rate, exercise for at least four minutes. Then, stop exercising and place two fingers on your wrist as shown. Take a six-second heartbeat count, and multiply the result by 10 to find your heart rate. For example, if your six-second heartbeat count is 14, your heart rate is 140 beats per minute.



WORKOUT GUIDELINES

Warming Up—Start with 5 to 10 minutes of stretching and light exercise. A warm-up increases your body temperature, heart rate, and circulation in preparation for exercise.

Training Zone Exercise—Exercise for 20 to 30 minutes with your heart rate in your training zone. (During the first few weeks of your exercise program, do not keep your heart rate in your training zone for longer than 20 minutes.) Breathe regularly and deeply as you exercise; never hold your breath.

Cooling Down—Finish with 5 to 10 minutes of stretching. Stretching increases the flexibility of your muscles and helps to prevent post-exercise problems.

EXERCISE FREQUENCY

To maintain or improve your condition, complete three workouts each week, with at least one day of rest between workouts. After a few months of regular exercise, you may complete up to five workouts each week, if desired. Remember, the key to success is to make exercise a regular and enjoyable part of your everyday life.

SUGGESTED STRETCHES

The correct form for several basic stretches is shown at the right. Move slowly as you stretch—never bounce.

1. Toe Touch Stretch

Stand with your knees bent slightly and slowly bend forward from your hips. Allow your back and shoulders to relax as you reach down toward your toes as far as possible. Hold for 15 counts, then relax. Repeat 3 times. Stretches: Hamstrings, back of knees and back.

2. Hamstring Stretch

Sit with one leg extended. Bring the sole of the opposite foot toward you and rest it against the inner thigh of your extended leg. Reach toward your toes as far as possible. Hold for 15 counts, then relax. Repeat 3 times for each leg. Stretches: Hamstrings, lower back and groin.

3. Calf/Achilles Stretch

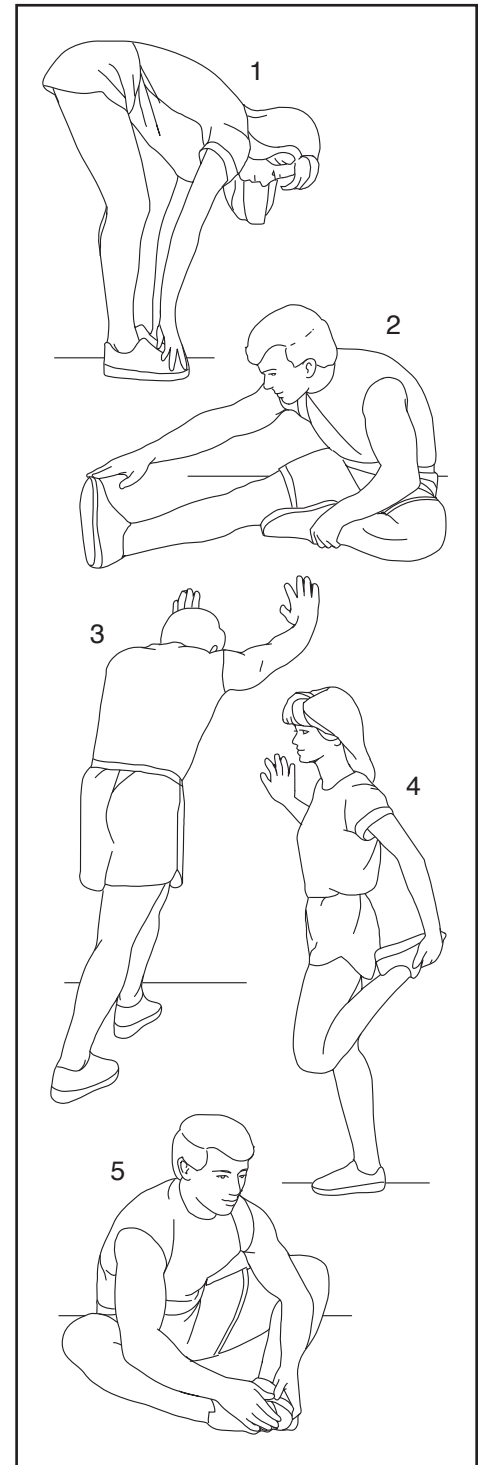
With one leg in front of the other, reach forward and place your hands against a wall. Keep your back leg straight and your back foot flat on the floor. Bend your front leg, lean forward and move your hips toward the wall. Hold for 15 counts, then relax. Repeat 3 times for each leg. To cause further stretching of the achilles tendons, bend your back leg as well. Stretches: Calves, achilles tendons and ankles.

4. Quadriceps Stretch

With one hand against a wall for balance, reach back and grasp one foot with your other hand. Bring your heel as close to your buttocks as possible. Hold for 15 counts, then relax. Repeat 3 times for each leg. Stretches: Quadriceps and hip muscles.

5. Inner Thigh Stretch

Sit with the soles of your feet together and your knees outward. Pull your feet toward your groin area as far as possible. Hold for 15 counts, then relax. Repeat 3 times. Stretches: Quadriceps and hip muscles.



NOTES

PART LIST

Model No. NTL17125.0 R1124A

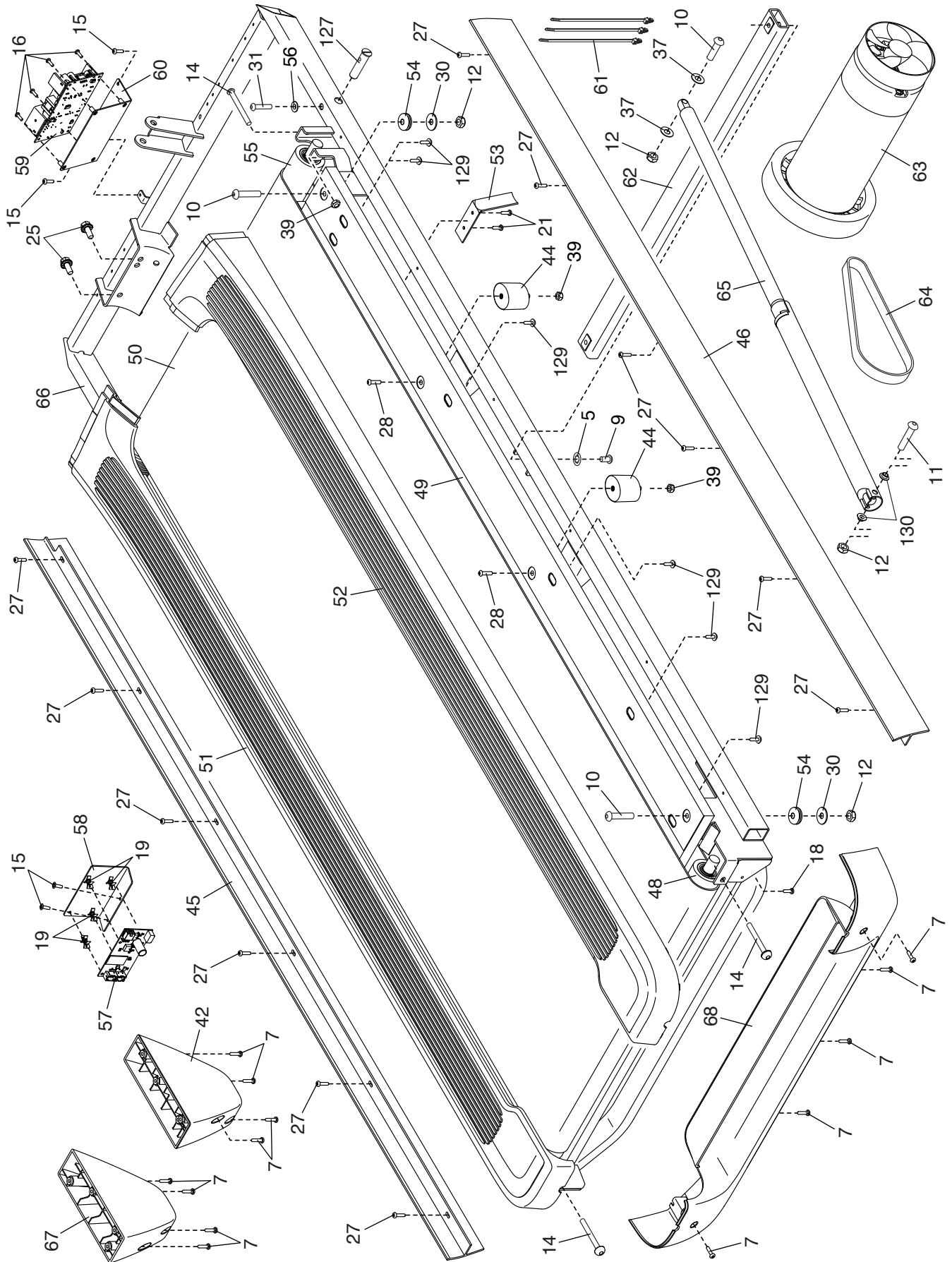
Key No.	Qty.	Description	Key No.	Qty.	Description
1	8	3/8" x 3/4" Screw	51	1	Left Foot Rail
2	5	M4 x 10mm Screw	52	1	Right Foot Rail
3	1	Ground Screw	53	2	Belt Guide
4	2	M4 x 16mm Screw	54	4	Rubber Cushion
5	2	5/16" Star Washer	55	1	Drive Roller
6	4	5/16" x 3/4" Screw	56	2	9/32" Plastic Bushing
7	67	#8 x 3/4" Screw	57	1	Incline Power Board
8	12	3/8" Star Washer	58	1	Power Board Bracket
9	2	5/16" x 1" Screw	59	1	Power Supply
10	5	5/16" x 1 3/4" Bolt	60	1	Power Supply Bracket
11	1	5/16" x 2 1/4" Bolt	61	3	Cable Tie
12	6	5/16" Nut	62	1	Latch Crossbar
13	8	#8 x 3/4" Tek Screw	63	1	Drive Motor
14	3	1/4" x 2 1/2" Screw	64	1	Motor Belt
15	11	#8 x 1/2" Screw	65	1	Storage Latch
16	8	M3 x 12mm Screw	66	1	Frame
17	1	3/8" x 1 1/2" Bolt	67	1	Left Rear Foot
18	2	#8 x 5/8" Pan Head Screw	68	1	Rear End Cap
19	4	Plastic Standoff	69	1	Motor Hood
20	1	3/8" x 1 3/4" Bolt	70	1	Incline Frame
21	4	#8 Belt Guide Screw	71	1	Incline Motor
22	6	#8 x 3/4" Pan Head Screw	72	2	Frame Spacer
23	4	M6 x 25mm Screw	73	2	Incline Motor Spacer
24	4	M6 x 16mm Screw	74	1	Controller
25	2	5/16" Motor Screw	75	1	Pivot Plate
26	2	3/8" x 1 3/8" Bolt	76	1	Controller Bracket
27	12	#8 x 3/4" Truss Head Screw	77	8	Fan Screw
28	4	1/4" x 1" Screw	78	1	Power Cord
29	2	3/8" x 1 1/8" Screw	79	1	Power Cord Grommet
30	4	5/16" Flat Washer	80	1	Circuit Board
31	2	1/4" x 1 1/4" Screw	81	1	Grommet
32	2	#8 Washer	82	1	Belly Pan
33	14	#8 x 5/8" Flat Head Screw	83	1	Left Handrail Cover
34	1	1" Plastic Washer	84	1	Right Handrail Cover
35	1	Controller Mount	85	1	Left Handrail Outer Cover
36	2	1/2" Plastic Washer	86	1	Right Handrail Outer Cover
37	4	3/8" Thrust Washer	87	1	Left Inner Handrail Cover
38	4	3/8" Nut	88	1	Right Inner Handrail Cover
39	5	1/4" Nut	89	1	Tray
40	4	3/8" x 2 3/4" Screw	90	1	Handrail Frame
41	1	M30 Nut	91	1	Handrail Wire
42	1	Right Rear Foot	92	1	Upright Wire
43	4	3/8" Plastic Bushing	93	1	Left Upright
44	4	Platform Cushion	94	1	Right Upright
45	1	Left Frame Cover	95	1	Left Upright Cover
46	1	Right Frame Cover	96	1	Right Upright Cover
47	2	3/8" Locknut	97	1	Left Base Cover
48	1	Idler Roller	98	1	Right Base Cover
49	1	Walking Platform	99	14	Mushroom Fastener
50	1	Walking Belt	100	4	Base Pad

Key No.	Qty.	Description	Key No.	Qty.	Description
101	1	Base	118	1	Access Cover
102	1	Large Saddle Bracket	119	1	Control Base
103	2	Wheel	120	1	Primary Control
104	1	Upper Display Cover	121	1	Key/Clip
105	1	Lower Display Cover	122	8	Wire Tie
106	1	Display	123	2	Display Ground Wire
107	1	Display Back Plate	124	2	Left Handrail Cover Bracket
108	1	Small Saddle Bracket	125	2	Right Handrail Cover Bracket
109	1	Pivot Cover	126	5	Clip
110	1	Pivot Back Cover	127	2	1/2" Pin
111	1	Pivot Front Cover	128	1	Power Switch
112	2	Fan	129	12	#8 x 5/8" Washer Head Screw
113	1	Metal Spacer	130	4	5/16" Bushing
114	1	Plastic Spacer	131	2	3/8" Plastic Washer
115	1	Left Pivot Cover	132	4	#8 x 5/8" Screw
116	1	Right Pivot Cover	*	-	User's Manual
117	1	Pivot Bracket			

Note: Specifications are subject to change without notice. For information about ordering replacement parts, see the back cover of this manual. *These parts are not illustrated.

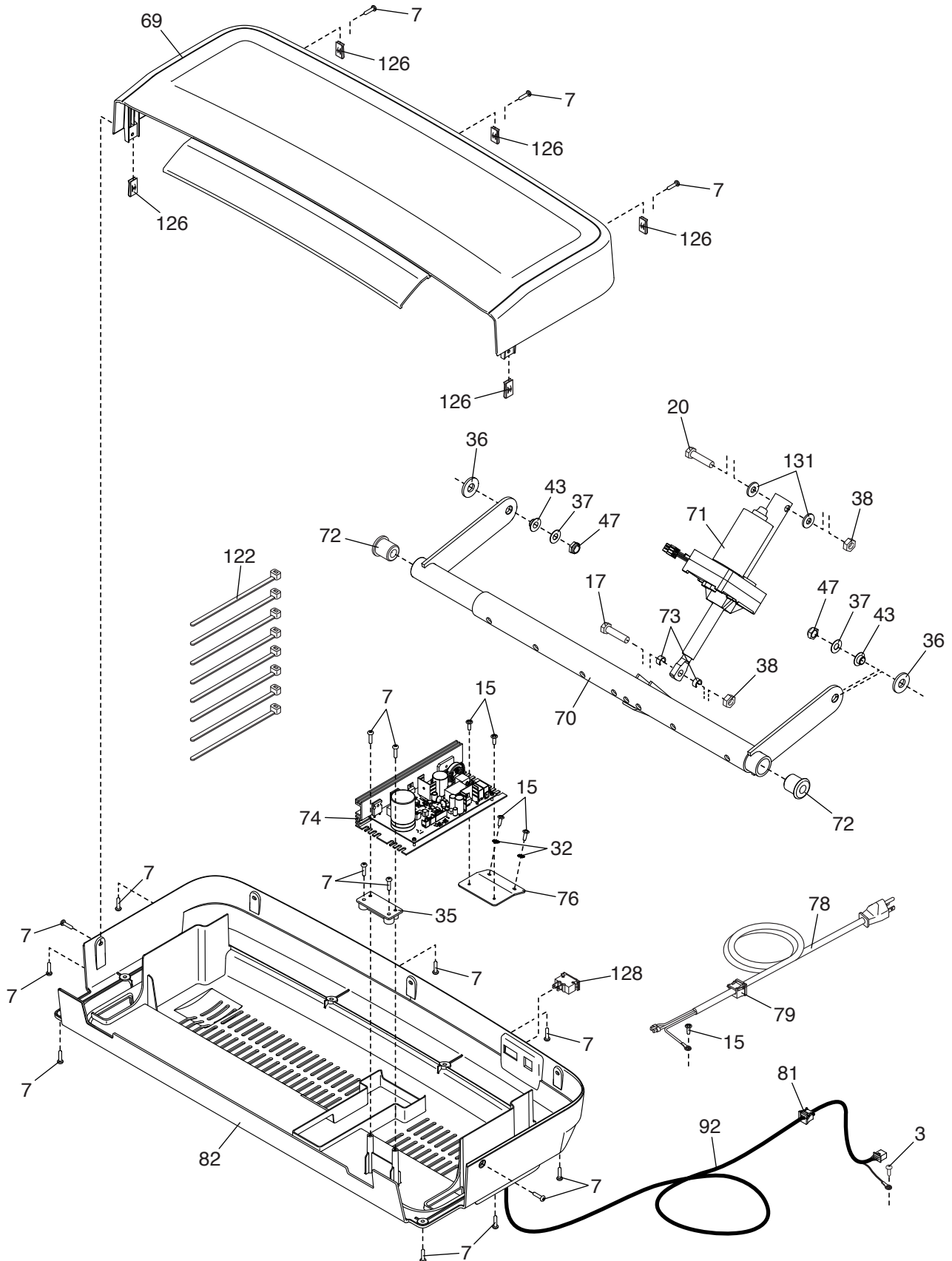
EXPLODED DRAWING A

Model No. NTL17125.0 R1124A



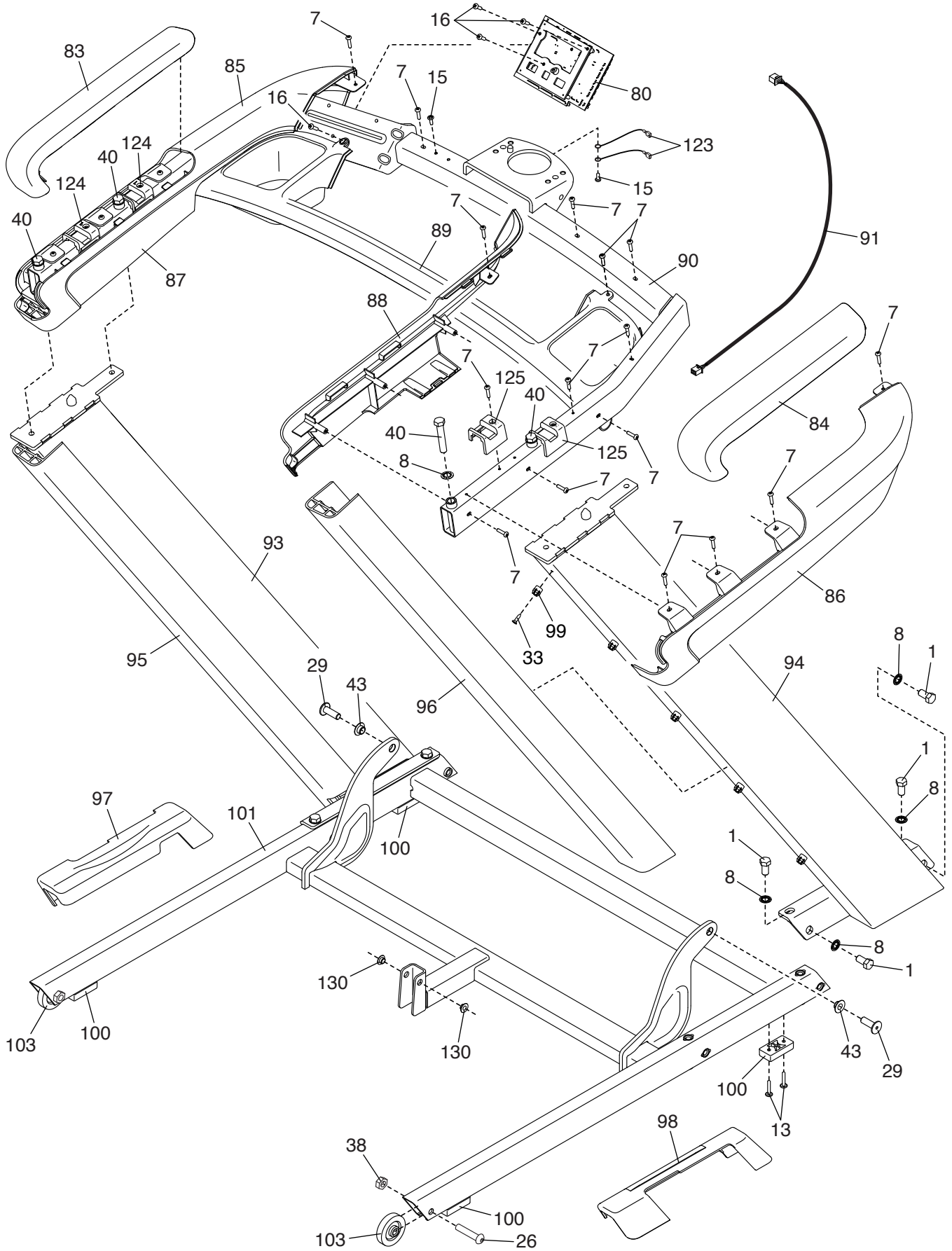
EXPLODED DRAWING B

Model No. NTL17125.0 R1124A



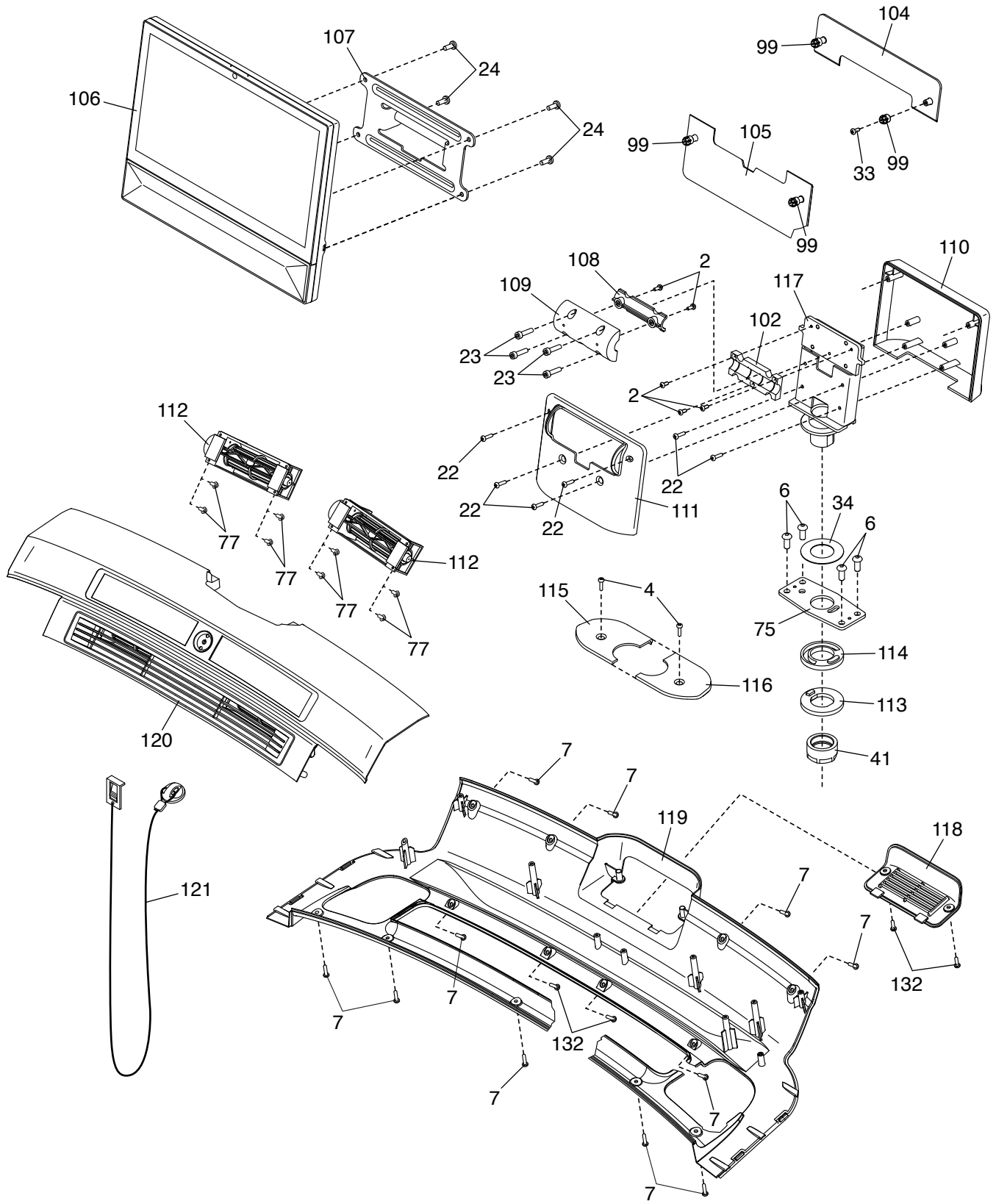
EXPLODED DRAWING C

Model No. NTL17125.0 R1124A



EXPLODED DRAWING D

Model No. NTL17125.0 R1124A



ORDERING REPLACEMENT PARTS

To order replacement parts, please see the front cover of this manual. To help us assist you, be prepared to provide the following information when contacting us:

- the model number and serial number of the product (see the front cover of this manual)
- the name of the product (see the front cover of this manual)
- the key number and description of the replacement part(s) (see the PART LIST and the EXPLODED DRAWING near the end of this manual)

LIMITED WARRANTY

iFIT Inc. (iFIT) warrants this product to be free from defects in workmanship and material, under normal use and service conditions. The drive motor is warranted for the lifetime of the original purchaser (customer). The frame is warranted for ten (10) years from the date that you receive this product. Parts are warranted for two (2) years. The tablet and labor are warranted for one (1) year.

This warranty extends only to the original purchaser (customer) and is not transferrable. iFIT's obligation under this warranty is limited to repairing or replacing, at iFIT's discretion, the product through one of its authorized service providers. All repairs for which warranty claims are made must be preauthorized by iFIT. If replacement parts are shipped while the product is under warranty, the customer will be responsible for a minimal handling charge. For in-home service, the customer may be responsible for a minimal trip charge. This warranty does not extend to freight damage to the product. This warranty will automatically be voided by the following conditions: (1) if the product is used as a store display model, (2) if the product is purchased or transported outside the USA, (3) if any instruction or warning in this manual is not followed, (4) if the product is abused or improperly or abnormally used, (5) if the product is modified to alter functionality or capability without the written permission of iFIT, or (6) if the product is used for commercial or rental purposes. No other warranty beyond that specifically set forth above is authorized by iFIT.

iFIT is not responsible or liable for the following damages: (1) indirect, special, or consequential damages arising out of or in connection with the use or performance of the product; (2) damages with respect to any economic loss, loss of property, loss of revenues or profits, loss of enjoyment or use, or costs of removal or installation; or (3) other consequential damages of any kind. Some states do not allow the exclusion or limitation of incidental or consequential damages. Accordingly, the above limitation may not apply to the customer.

The warranty extended hereunder is in lieu of any and all other warranties, and any implied warranties of merchantability or fitness for a particular purpose are limited in their scope and duration to the terms set forth herein. Some states do not allow limitations on how long an implied warranty lasts. Accordingly, the above limitation may not apply to the customer. This warranty provides specific legal rights; the customer may have other rights that vary from state to state.

For warranty service, please go to my.iFIT.com. Please be prepared to provide the model number and serial number of the product (see the front cover of this manual).

iFIT Inc., 1500 S. 1000 W., Logan, UT 84321-9813