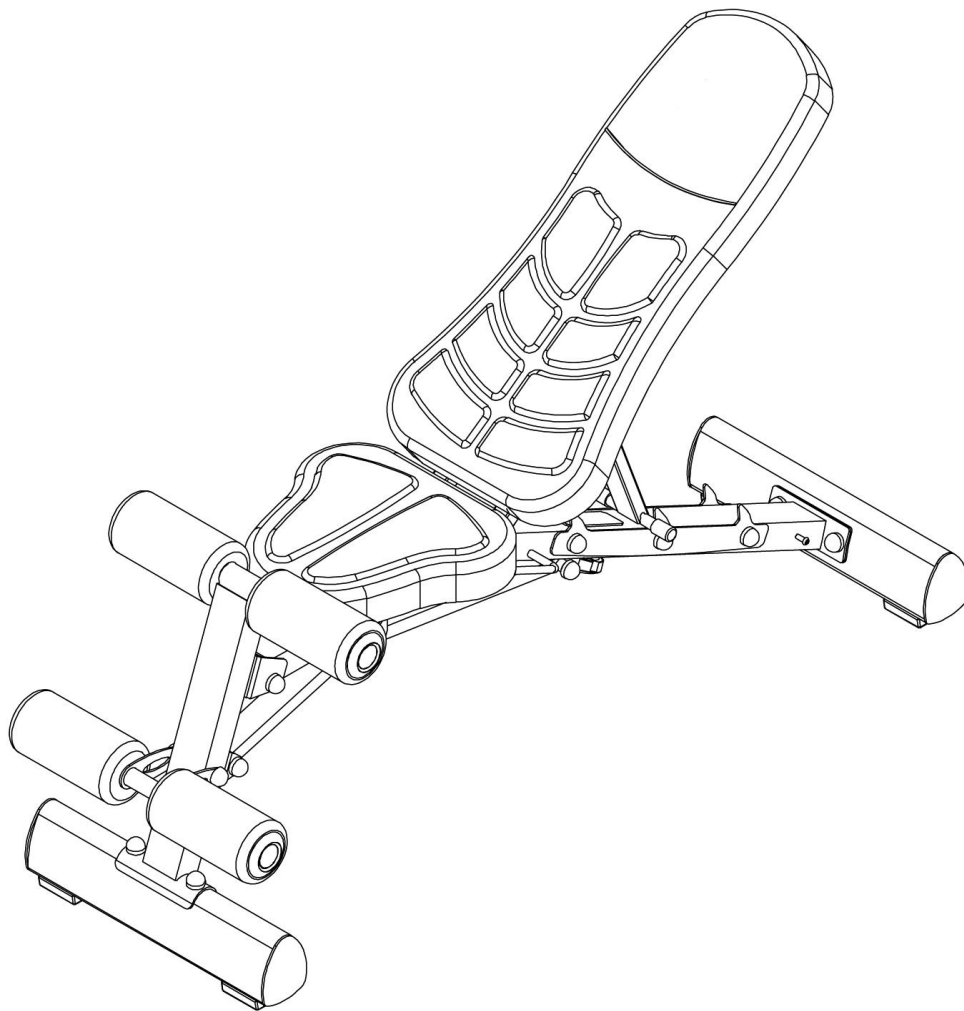


# MARCY®

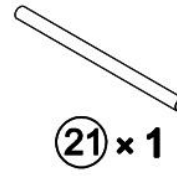
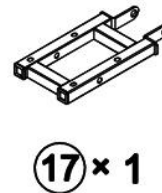
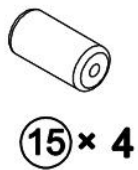
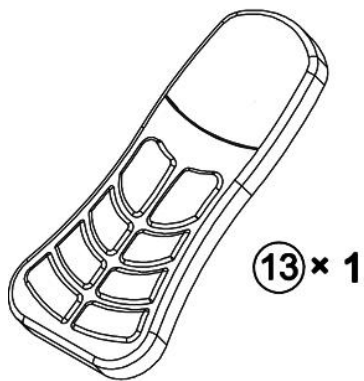
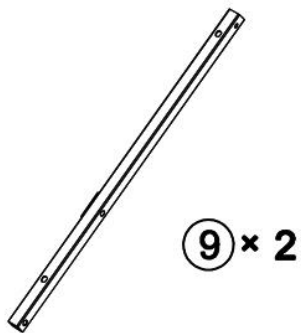
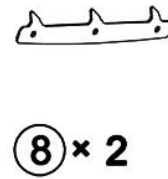
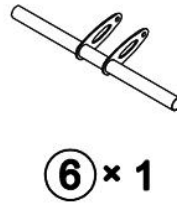
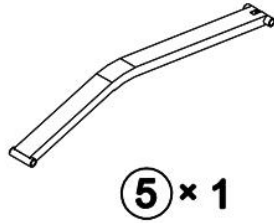
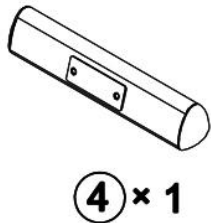
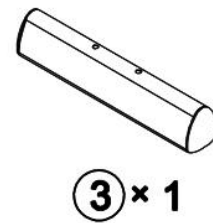
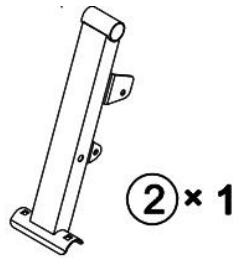
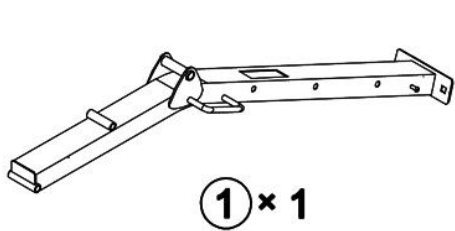
## DELUXE UTILITY BENCH SB-10100

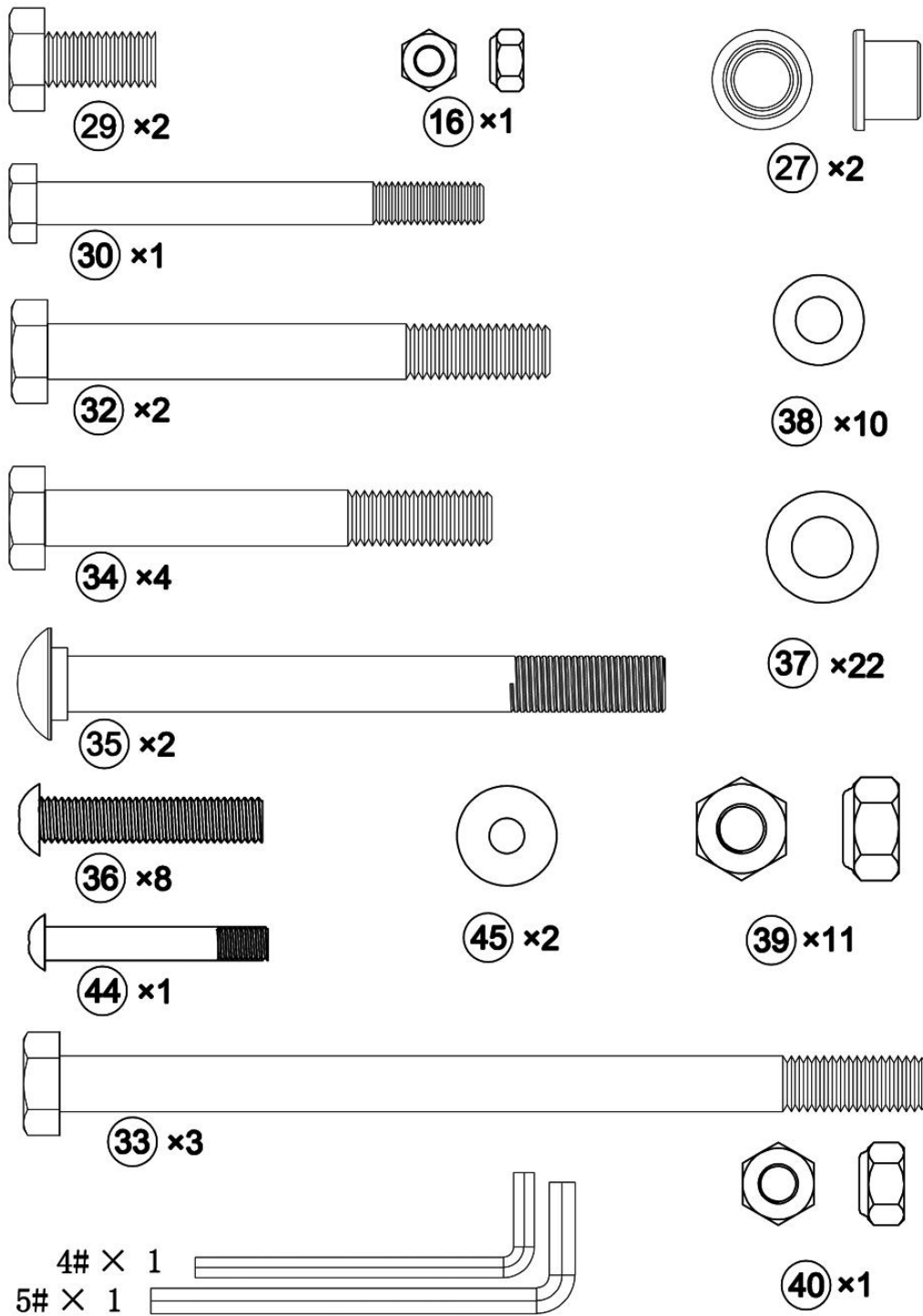


**IMPORTANT:** Please read the Important Safety Notice and Assembly Information in the Owner's manual before assembling this product.




**Assembly Manual**

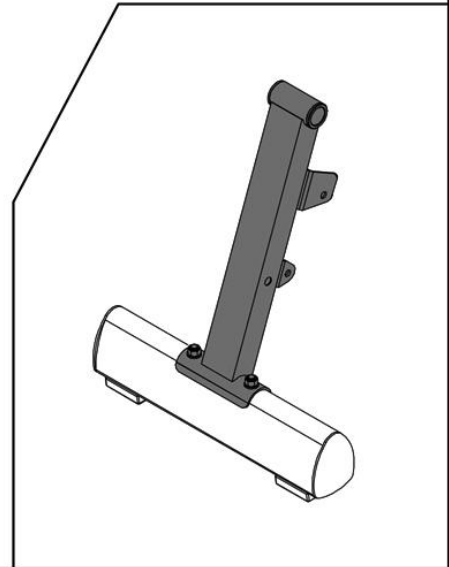
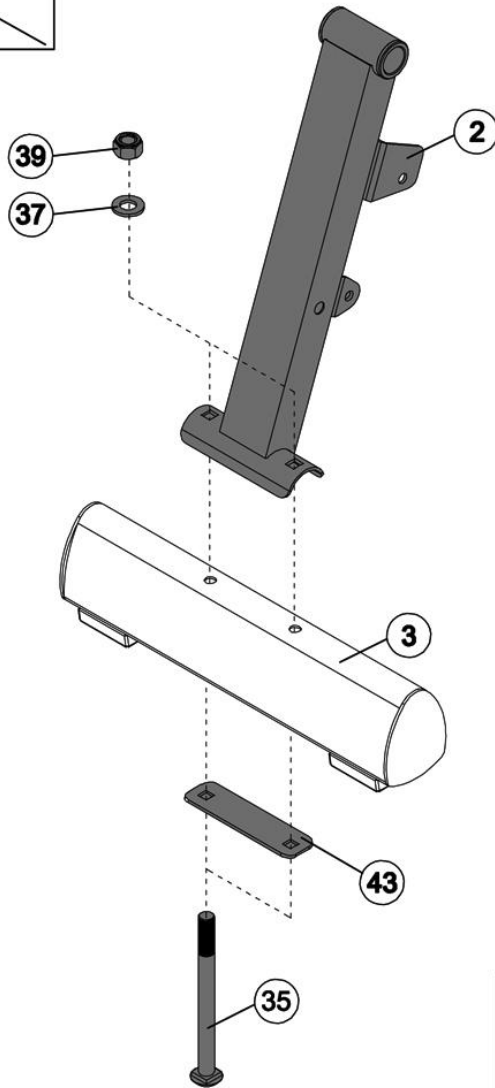
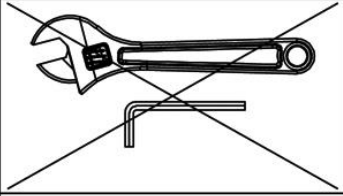
170301





35  ×2 M10×4 3/8"

37  ×2  $\Phi 3/4"$  39   ×2 M10



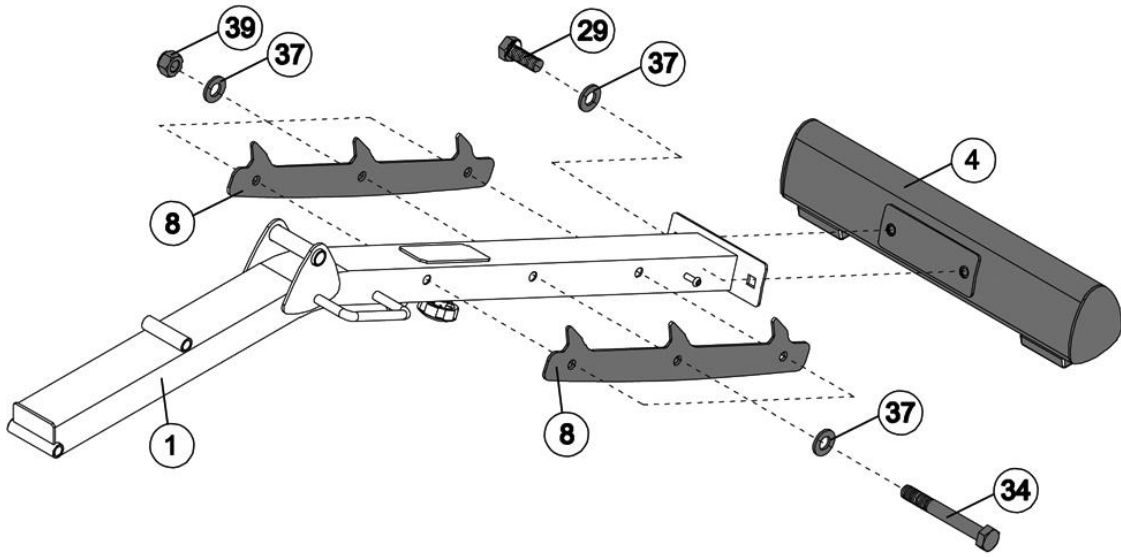
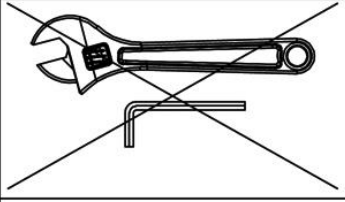
1

34  x3 M10x3 1/8"

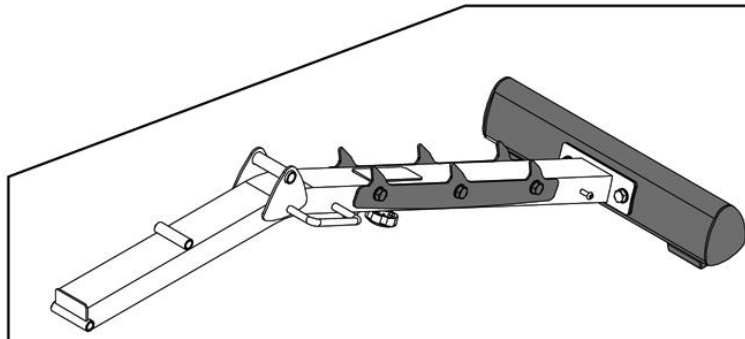
29  x2 M10x3/4"

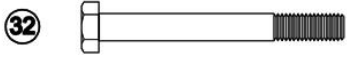
37  x8  $\Phi 3/4$ "

39  x3 M10

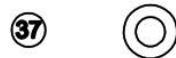


2

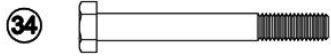




× 2 M10×3 1/2"



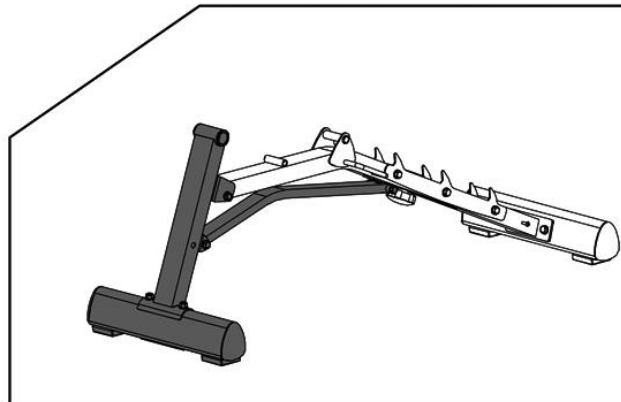
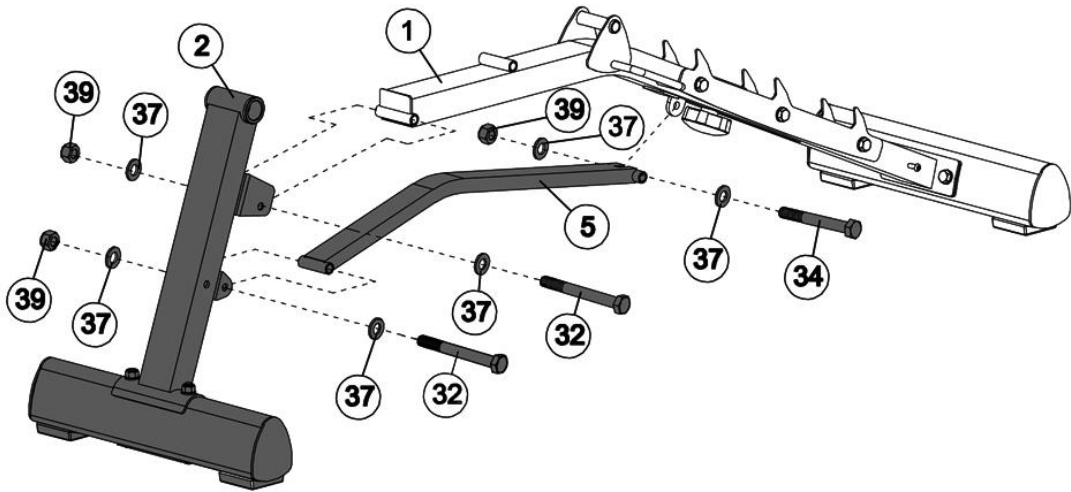
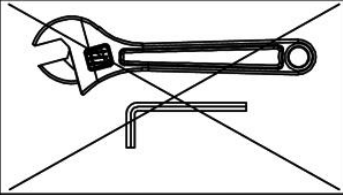
×6 Φ3/4"



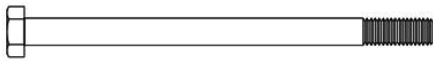

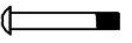




×1 M10×3 1/8"

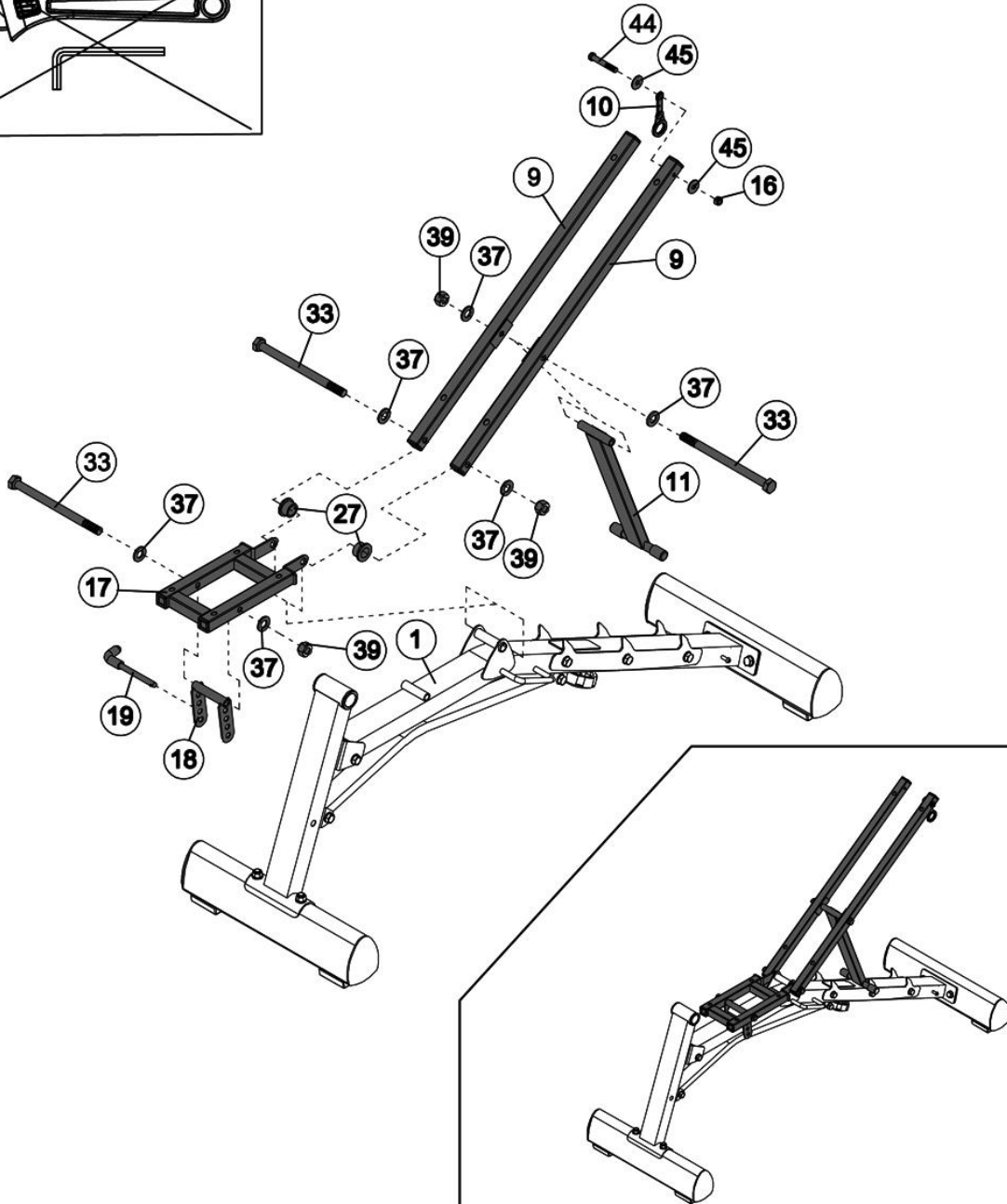
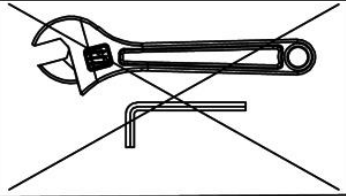


×3 M10



3

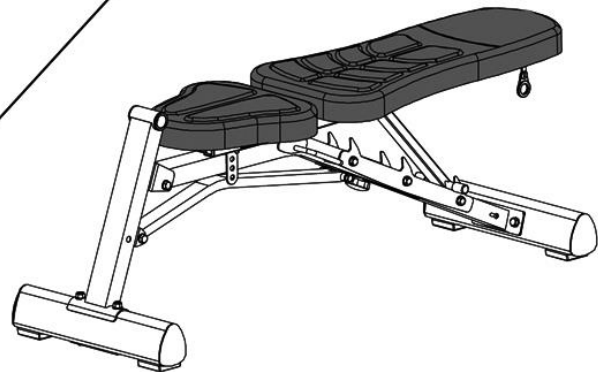
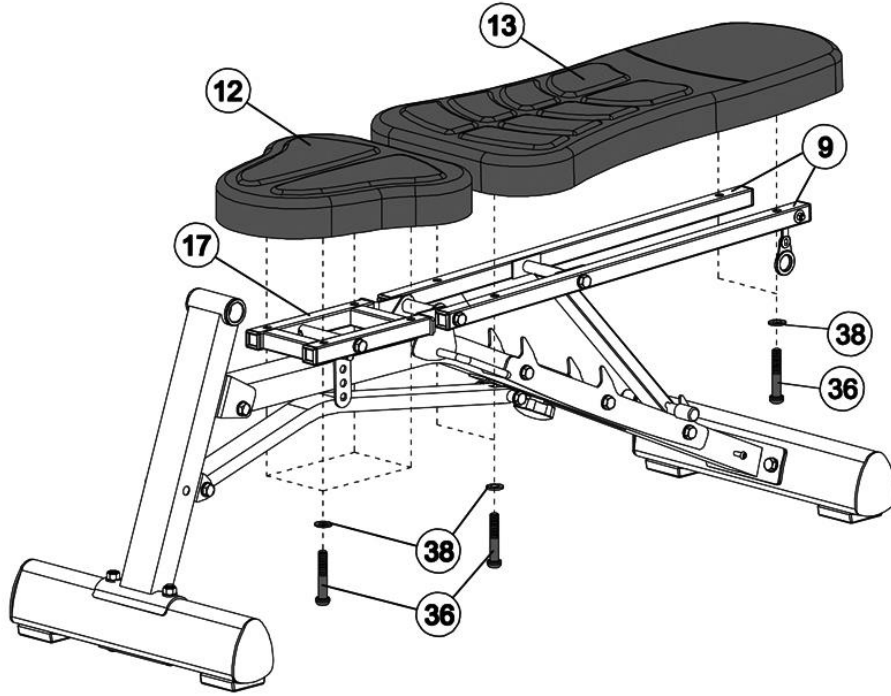
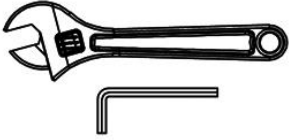
- |    |   |    |               |    |  |    |       |
|----|---|----|---------------|----|--|----|-------|
| 33 |  | x3 | M10x6 1/8"    | 37 |   | x6 | Φ3/4" |
| 44 |  | x1 | M6x1 5/8"     | 39 |  | x3 | M10   |
| 16 |  | x1 | M6            | 45 |   | x2 | Φ3/4" |
| 27 |  | x2 | Φ3/4" x Φ3/8" |    |  |    |       |



4

36  ×8 M8×1 5/8"


38  ×8  $\Phi$ 5/8"



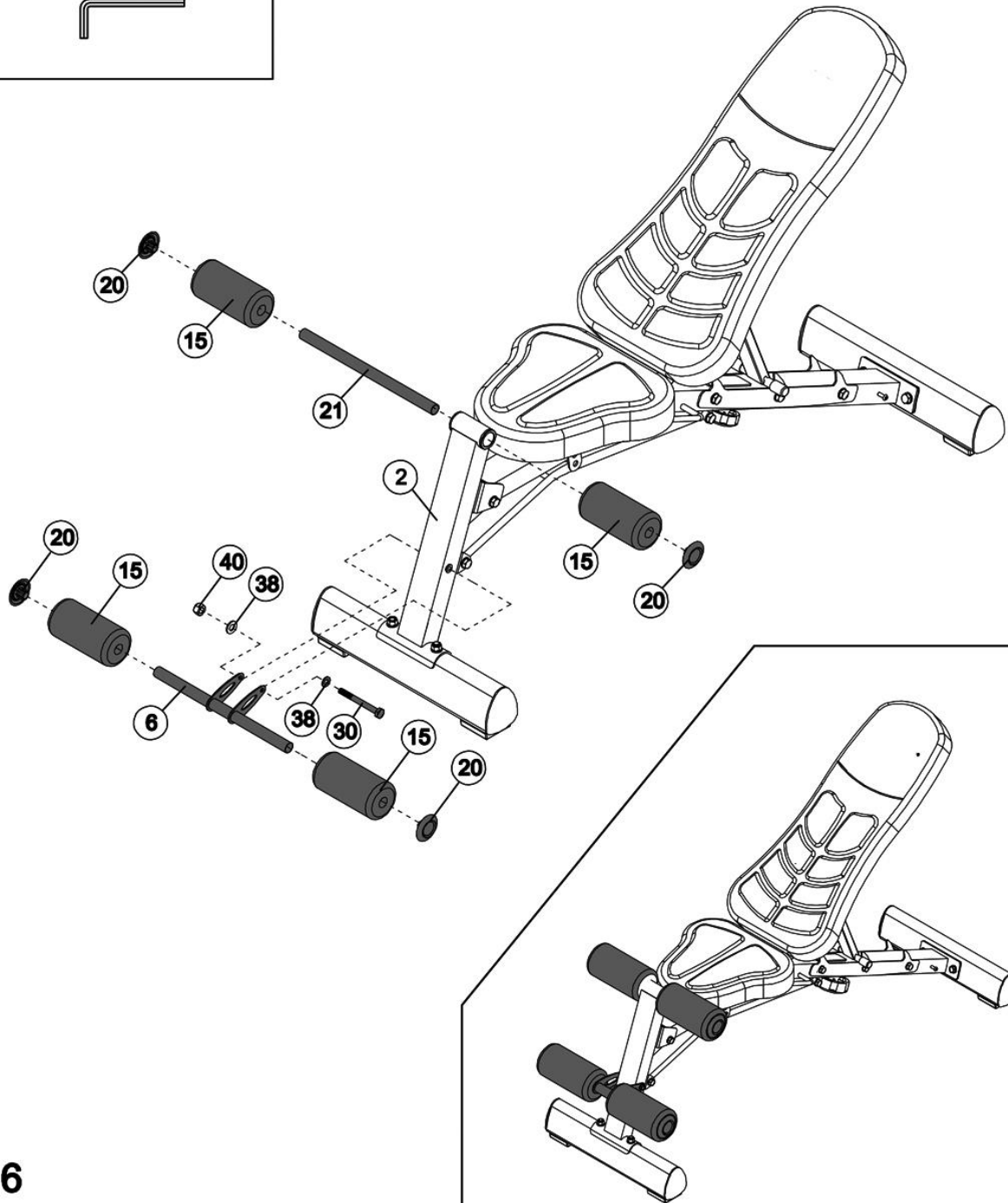
5



30  x1 M8x3 1/8"

38  x2  $\phi 5/8"$

40  x1 M8



6

25



x22

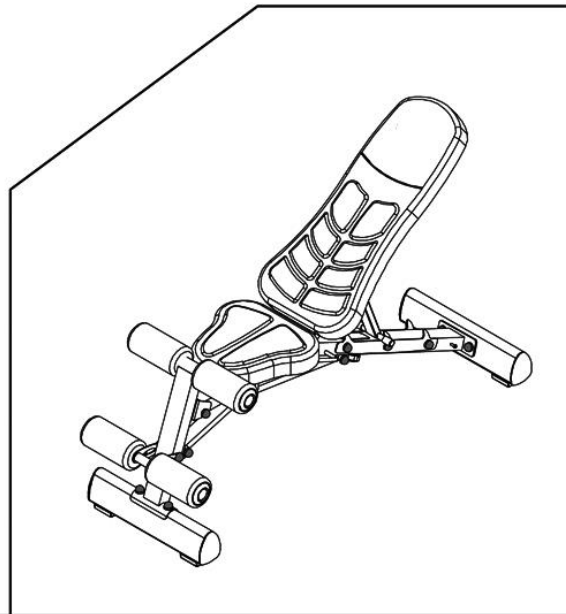
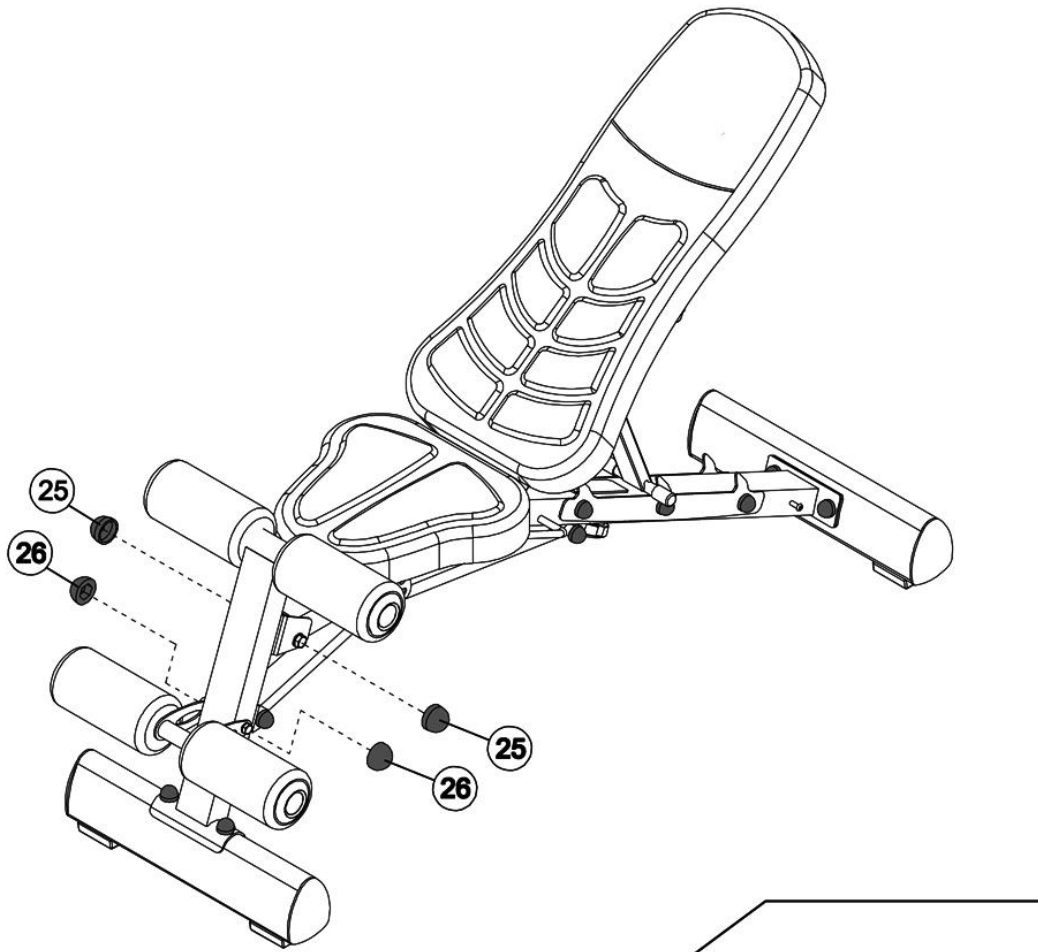
M10

26

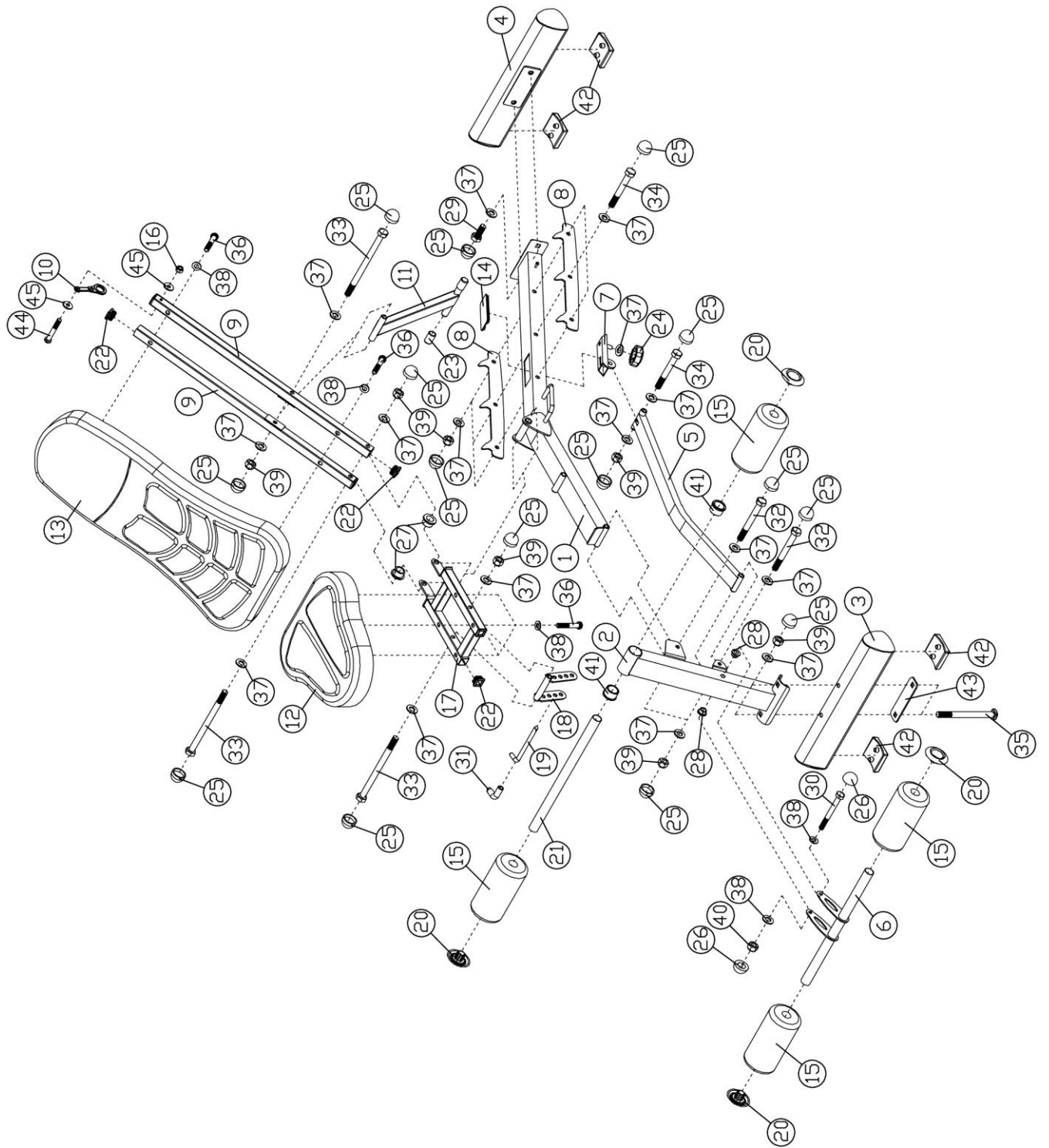


x2

M8



7



## LIMITED WARRANTY

Pure-Tec warrants this product to be free from defects in workmanship and material, under normal use and service conditions. Please refer to [www.puretecfitness.com](http://www.puretecfitness.com) for warranty conditions. This warranty extends only to the original purchaser and is **valid for home use only**. Pure-Tec's obligation under this Warranty is limited to replacing damaged or faulty parts at Pure-Tec's option.

All returns must be pre-authorized by Pure-Tec. **This warranty does not extend to any product or damage to a product caused by or attributable to freight damage, abuse, misuse, improper or abnormal usage, purchasers own repairs or for products used for commercial or rental purposes.** No other warranty beyond that specifically set forth above is authorized by Pure-Tec.

Pure-Tec is not responsible or liable for indirect, special or consequential damages arising out of or in connection with the use or performance of the product or other damages with respect to any economic loss, loss of property, loss of revenues or profits, loss of enjoyments or use, costs of removal, installation or other consequential damages or whatsoever natures.

The warranty extended hereunder is in lieu of any and all other warranties and any implied warranties of merchantability or fitness for a particular purpose is limited in its scope and duration to the terms set forth herein.

Your statutory rights are not affected.

### **ORDERING** **REPLACEMENT PARTS**

**Replacement parts can be ordered by contacting our Customer Solutions Department,**

[www.puretecfitness.com](http://www.puretecfitness.com)

Email: [service@puretecfitness.com](mailto:service@puretecfitness.com)

**When ordering replacement parts, please give the following information,**

- 1. Model**
- 2. Description of Parts**
- 3. Part Number**
- 4. Date of Purchase**