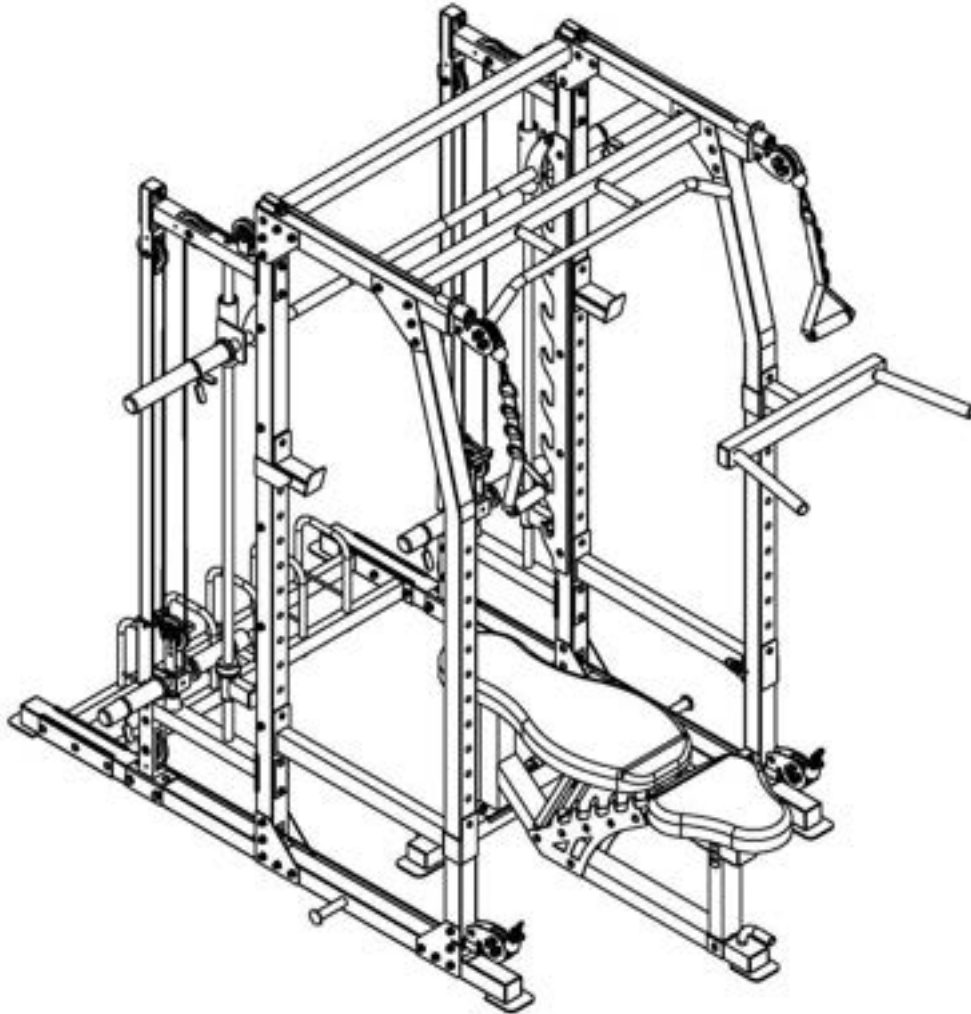


# MARCY®

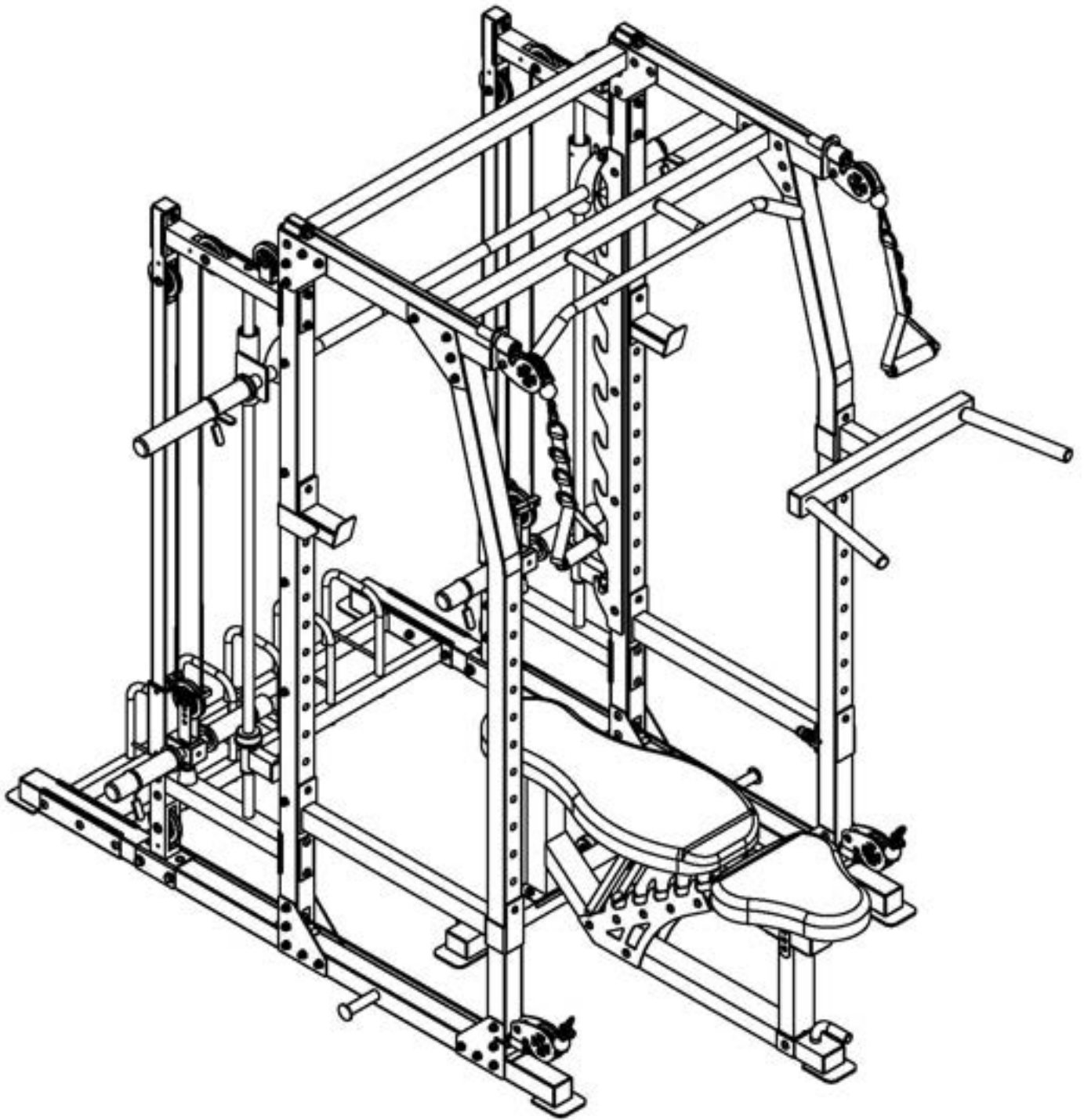
## MARCY PRO SMITH MACHINE SM-4903

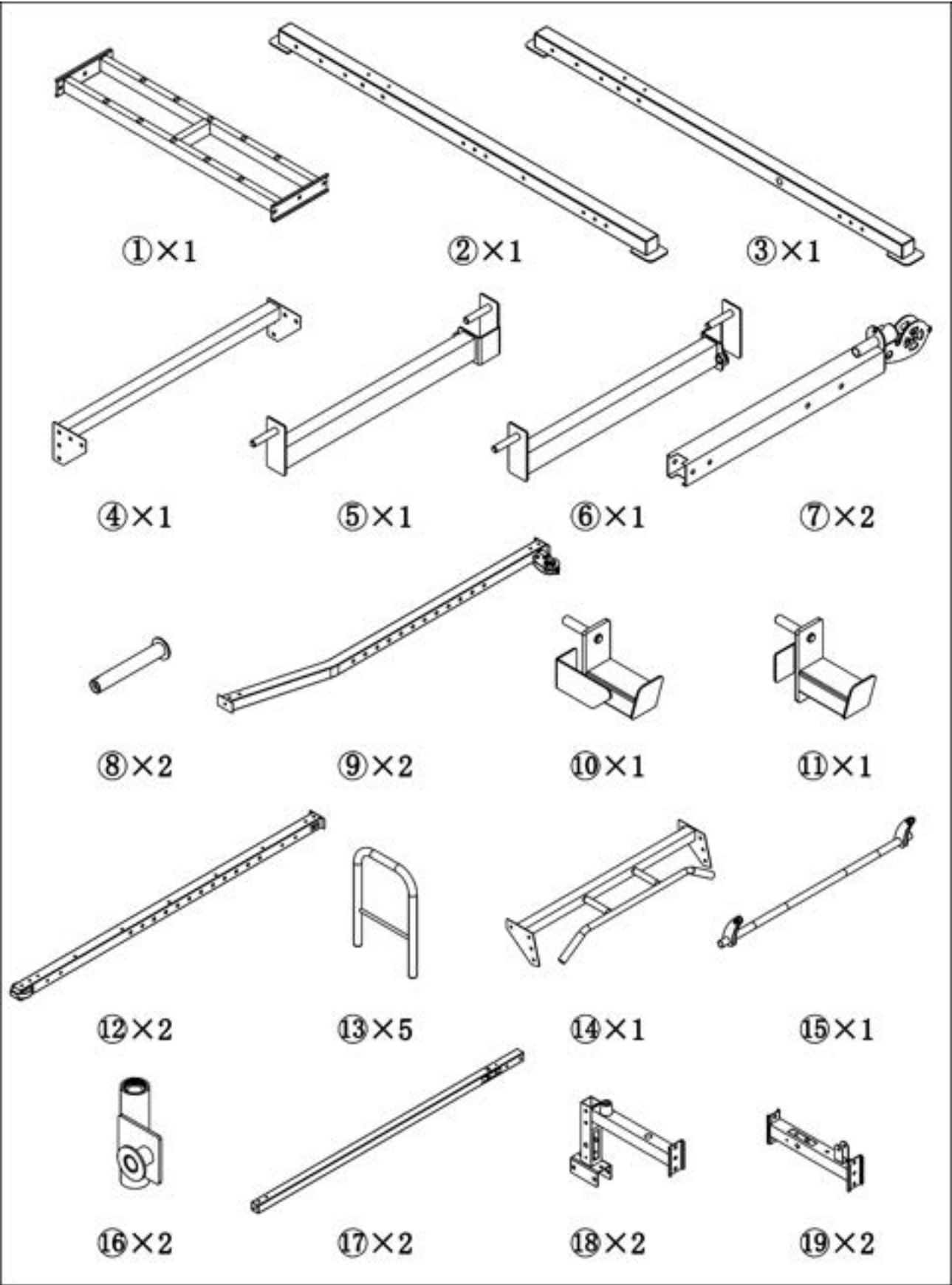


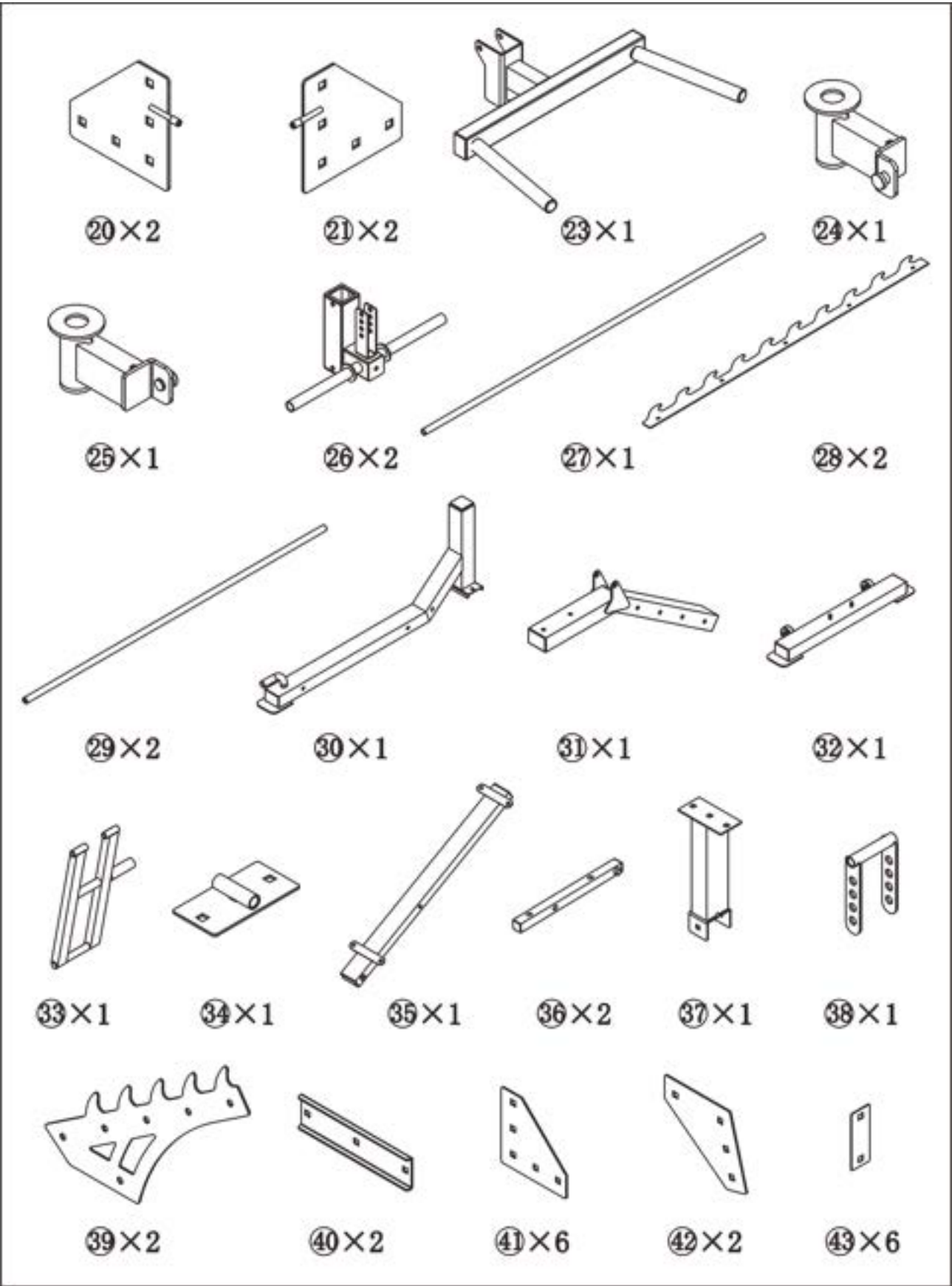
**IMPORTANT:** Please read the Important Safety Notice and Assembly Information in the Owner's manual before assembling this product.

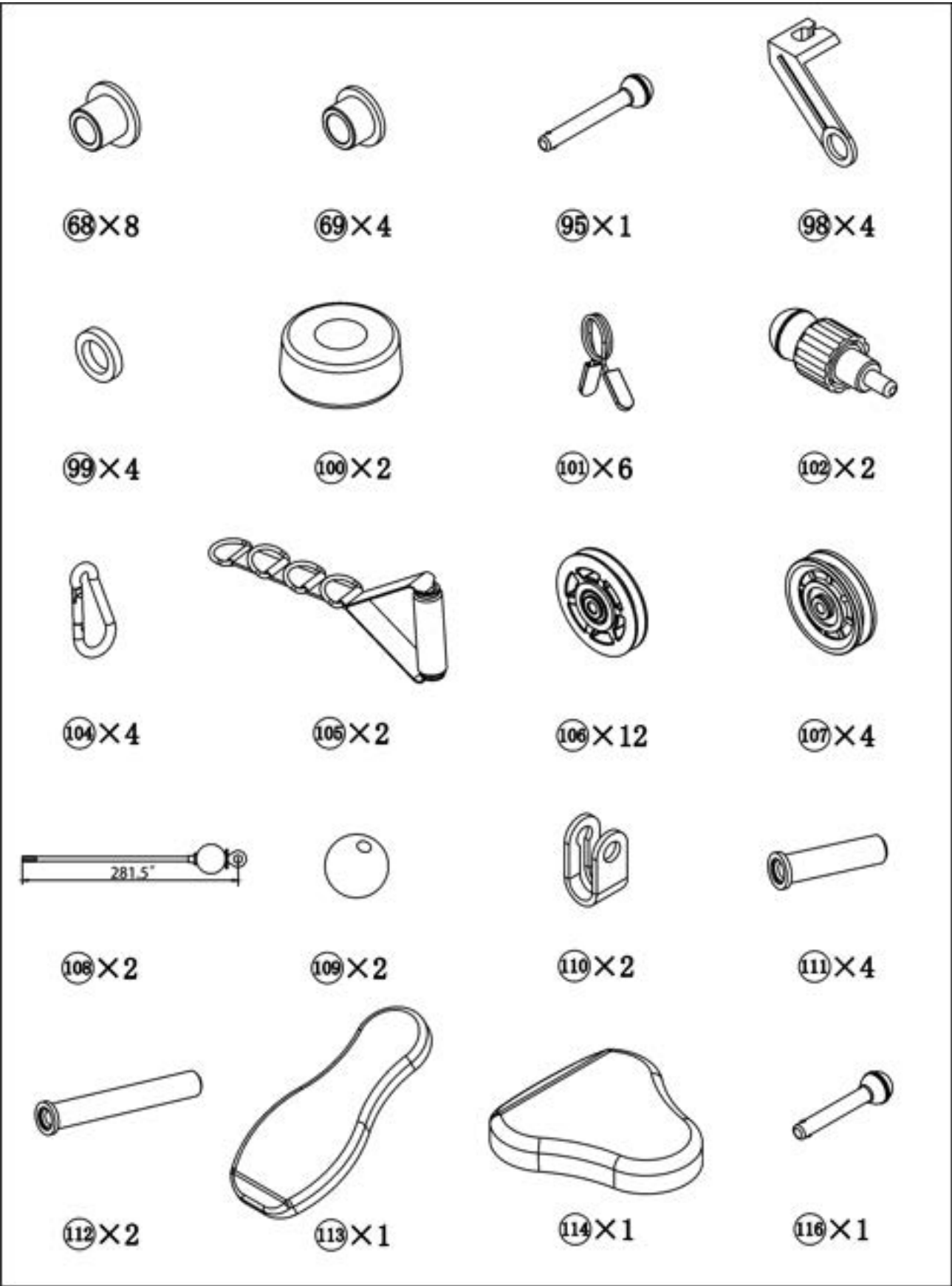
**Assembly Manual**

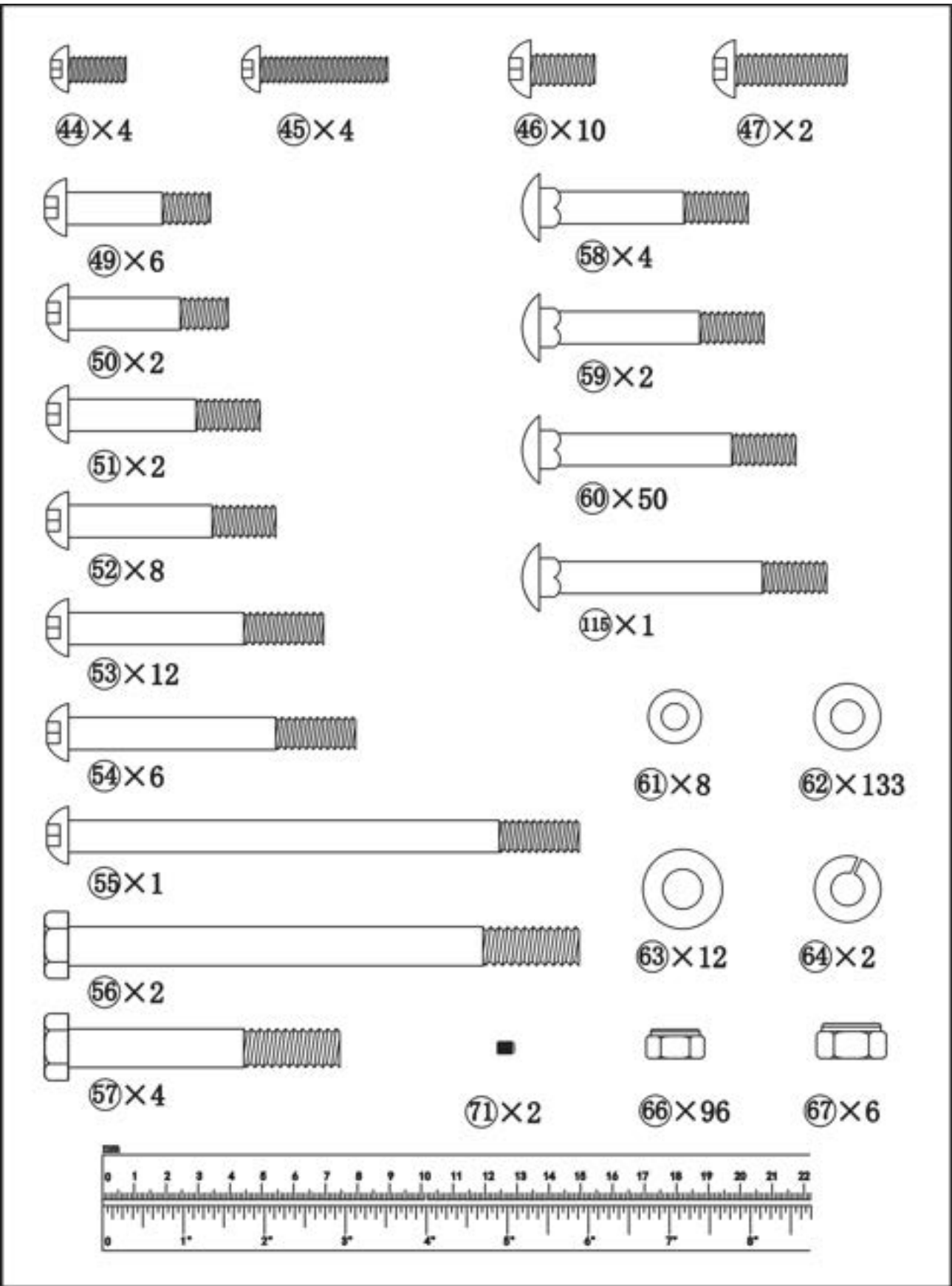
200227









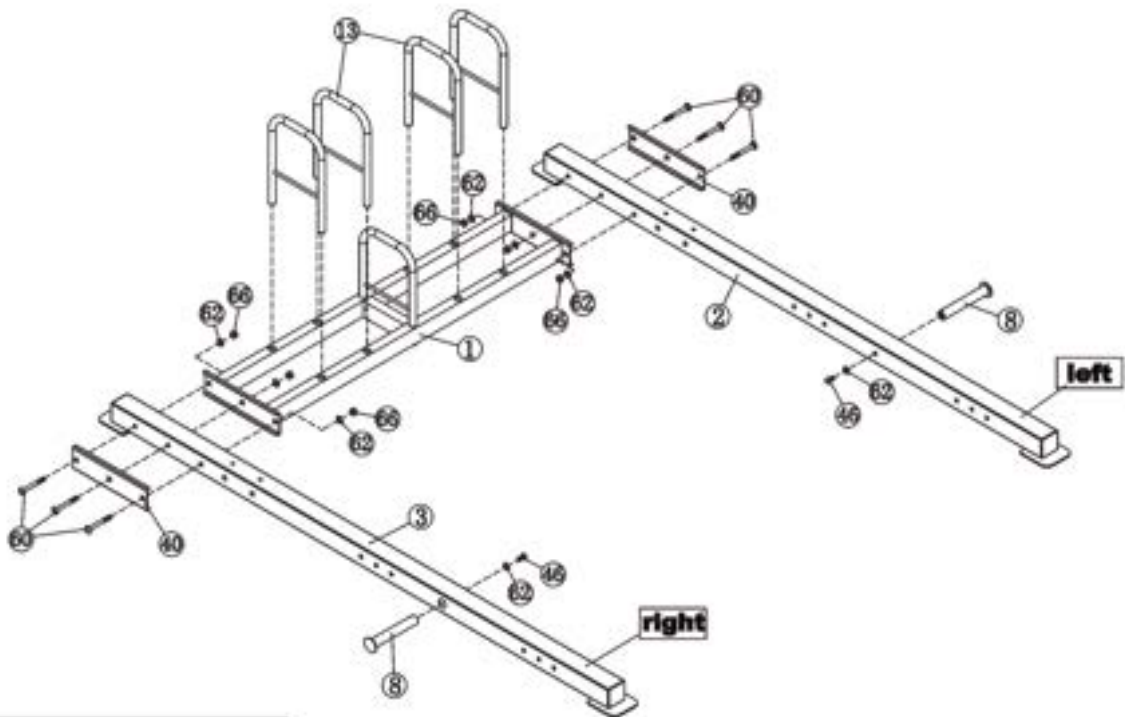


46  2 M10× $\frac{3}{4}$ "

60  6 M10×3  $\frac{1}{8}$ "

62  8  $\varnothing \frac{3}{4}$ "

66  6 M10

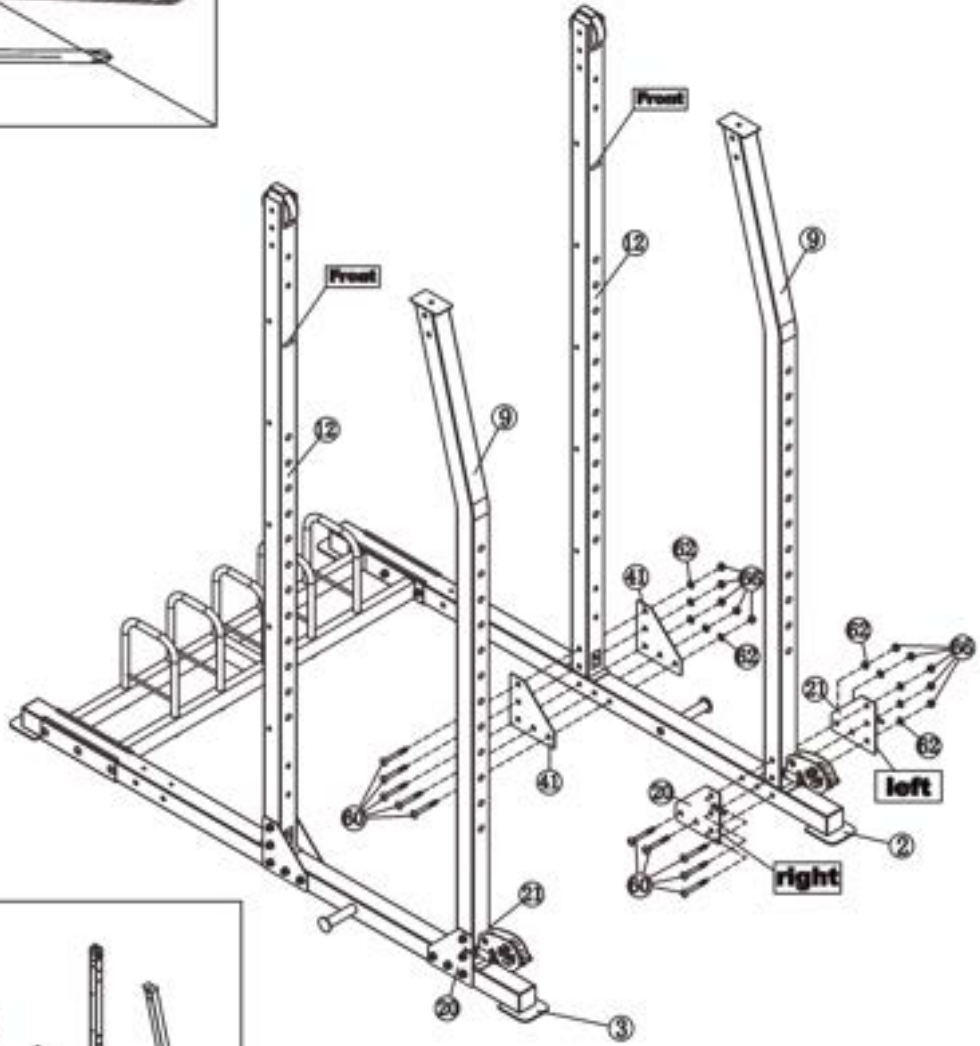


1

60  20 M10×3  $\frac{1}{8}$ "

62  20  $\varnothing \frac{3}{4}$ "

66  20 M10



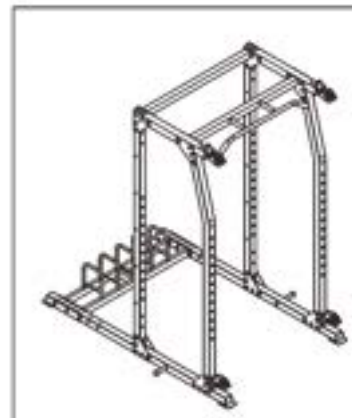
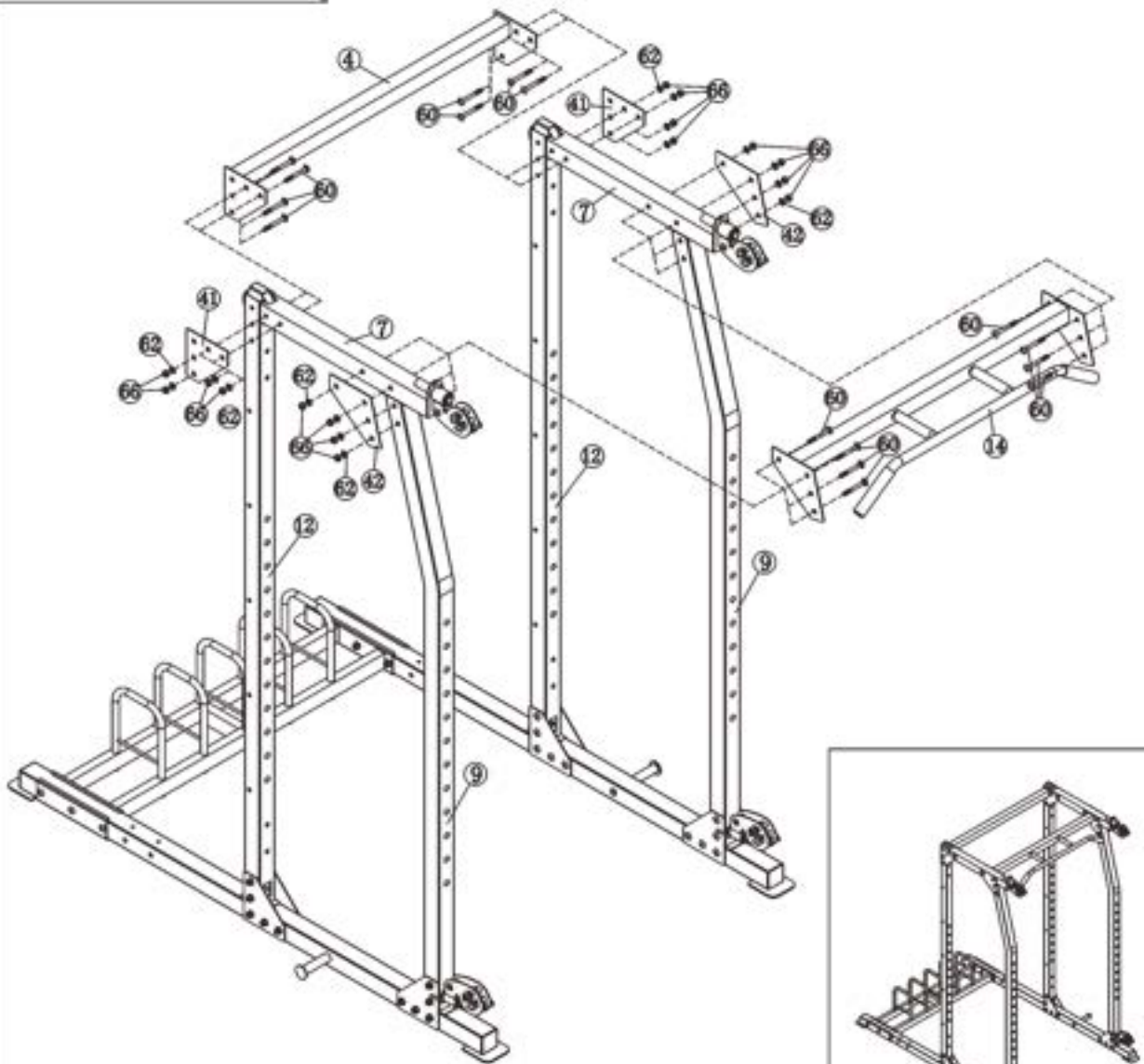
2



60  16 M10×3  $\frac{1}{8}$ "

62  16  $\varnothing \frac{3}{4}$ "

66  16 M10



④⑥  4 M10 × 3/4"

⑤⑦  4 M12 × 3 3/8"

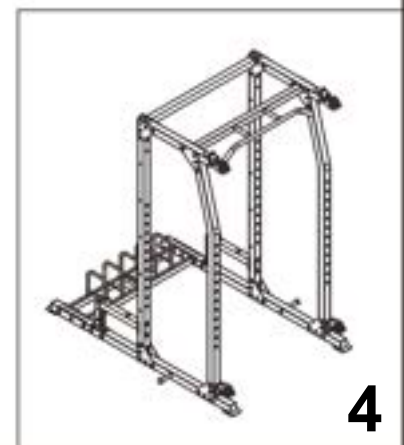
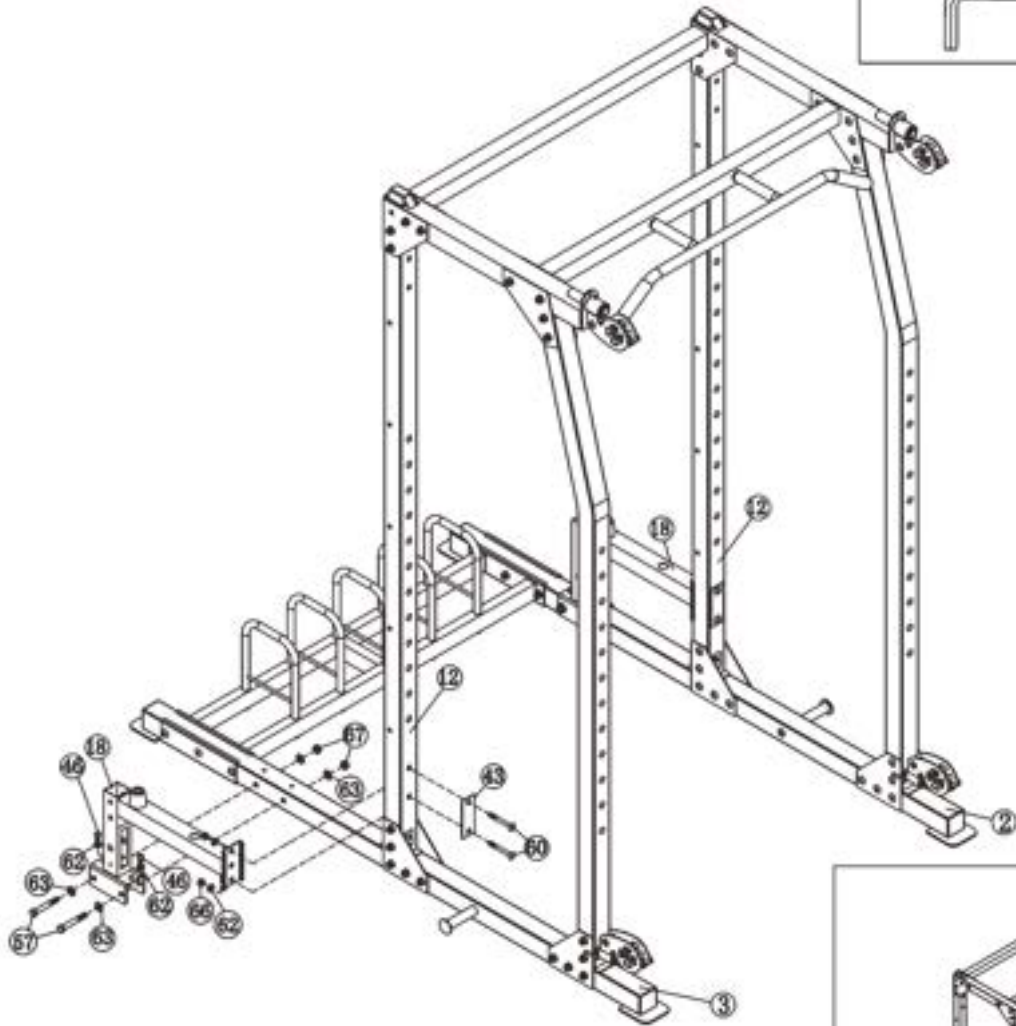
⑥⑩  4 M10 × 3 1/8"

⑥②  8 Ø 3/4"


⑥③  8 Ø 1"

⑥⑥  4 M10

⑥⑦  4 M12



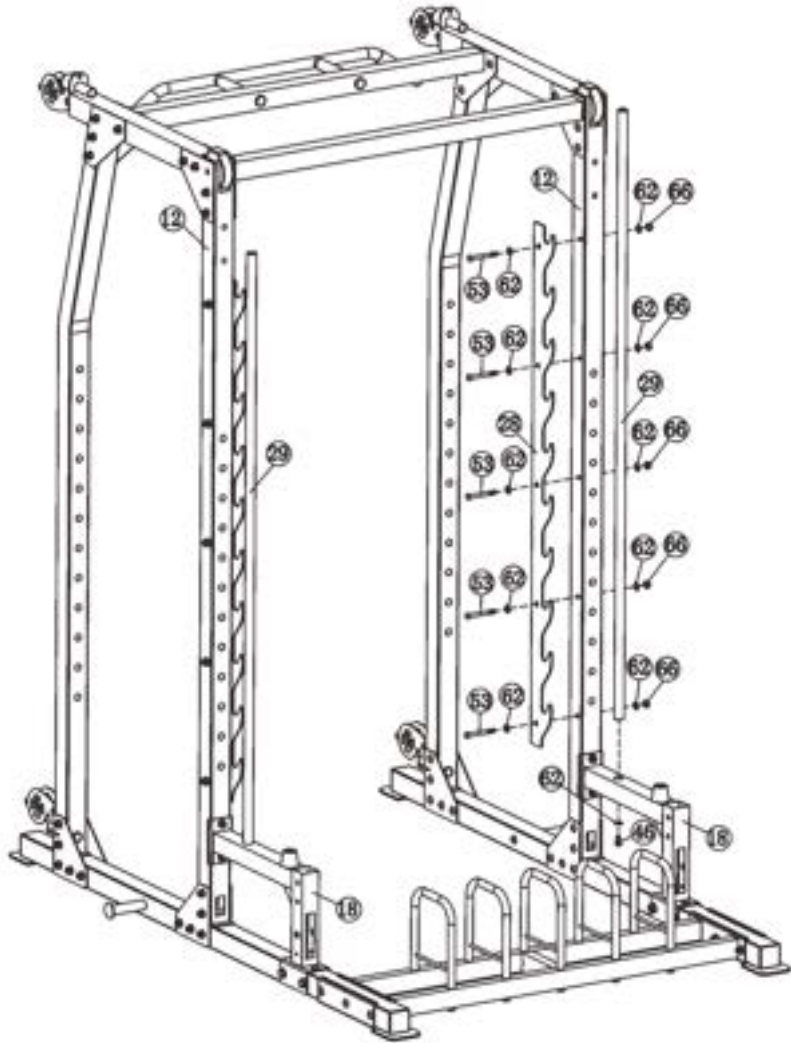
**4**

④⑥  2 M10× $\frac{3}{4}$ "

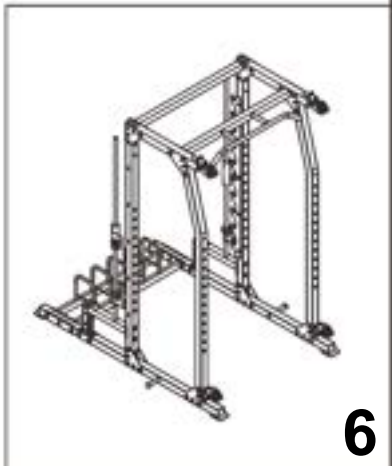
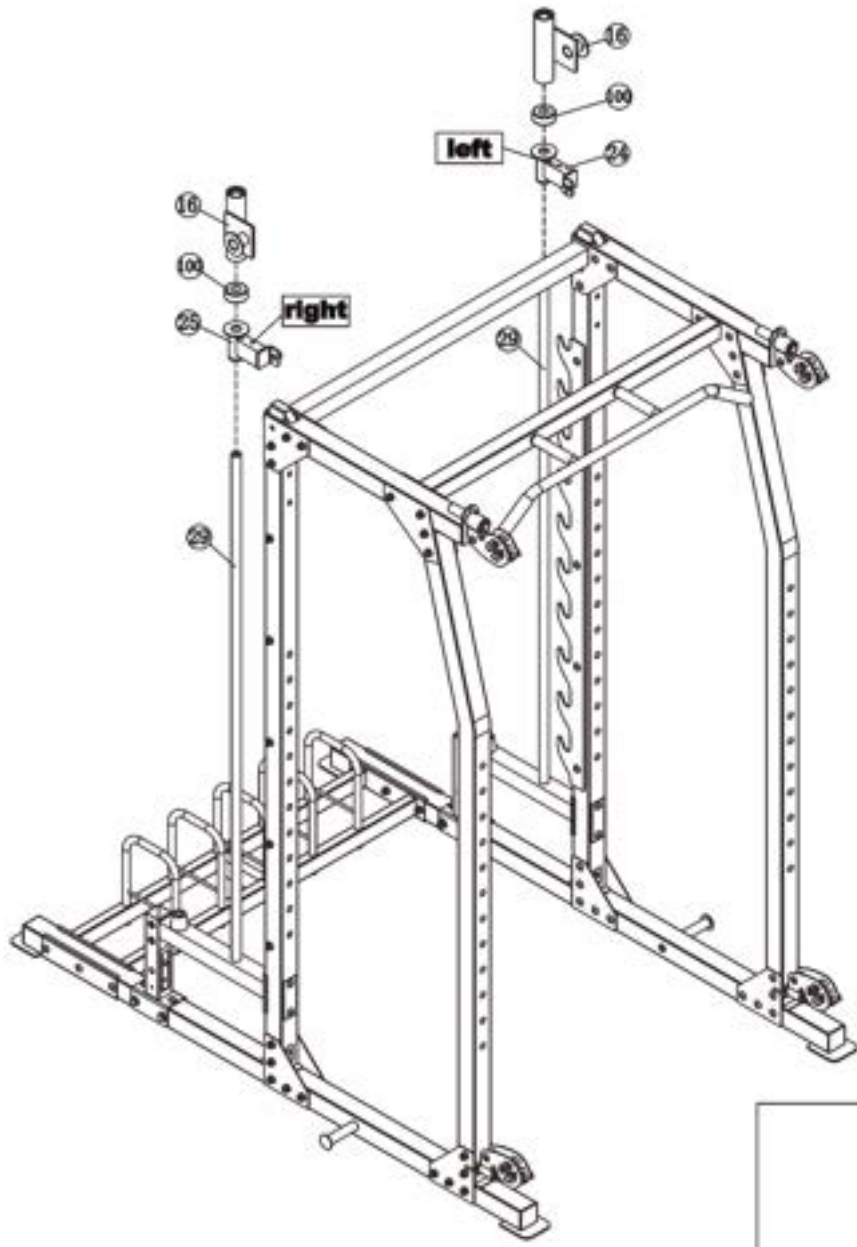
⑤③  10 M10× $3\frac{1}{8}$ "

⑥②  22  $\varnothing\frac{3}{4}$ "


⑥⑥  10 M10



**5**



**6**

④⑥  2 M10× $\frac{3}{4}$ "

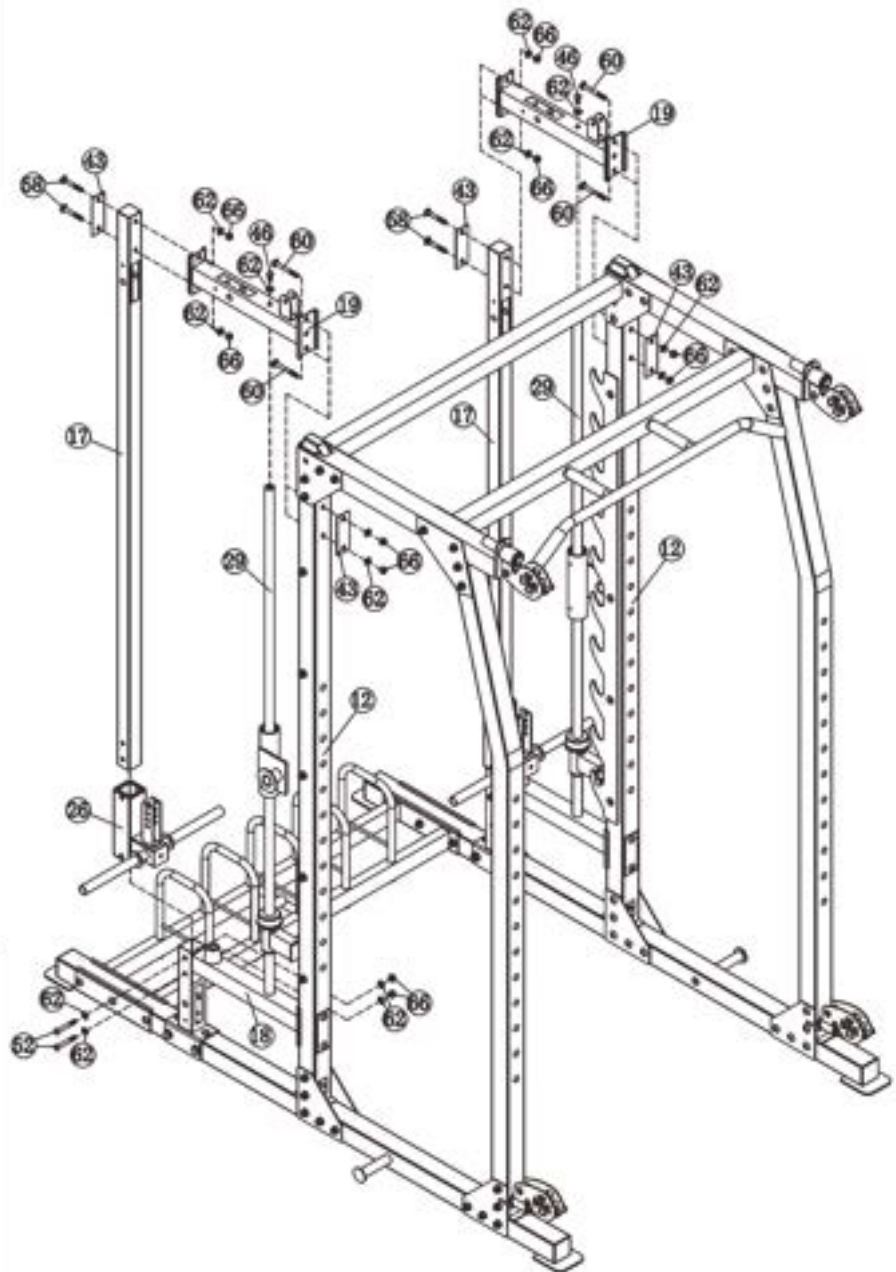
⑤②  4 M10×2  $\frac{1}{2}$ "

⑥⑦  4 M10×3  $\frac{1}{8}$ "

⑤⑧  4 M10×2  $\frac{1}{2}$ "

⑥②  18  $\emptyset \frac{3}{4}$ "

⑥⑥  12 M10

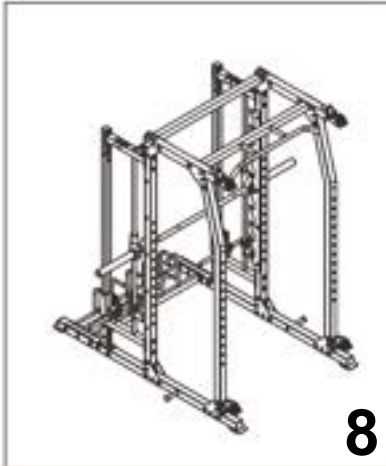
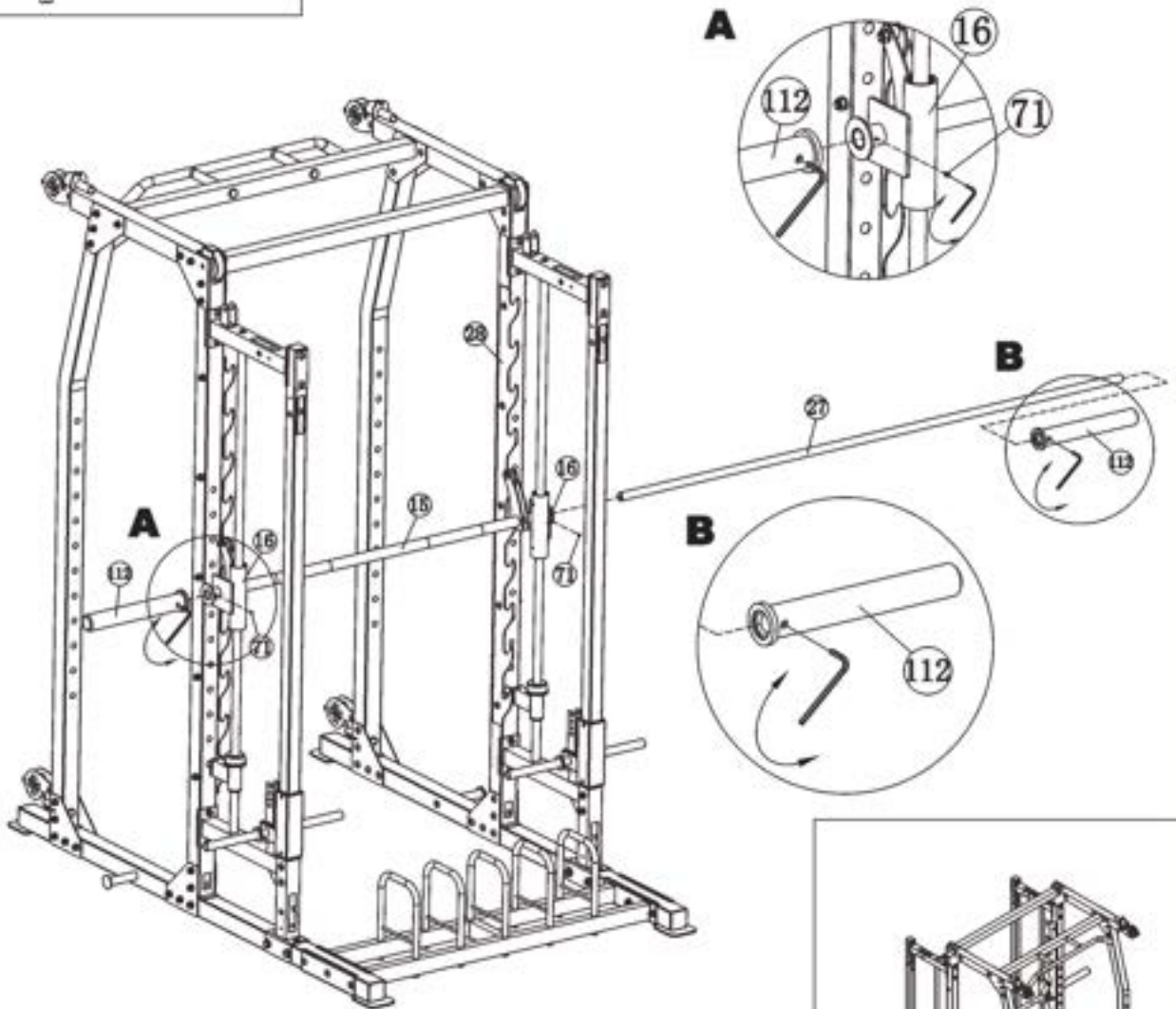


7

71 ■ 2 M6 × 1/4"

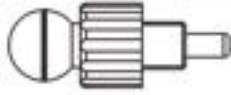


3# 4# Allen Wrench(Tool)



8

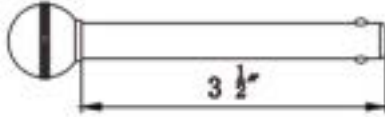
102



2

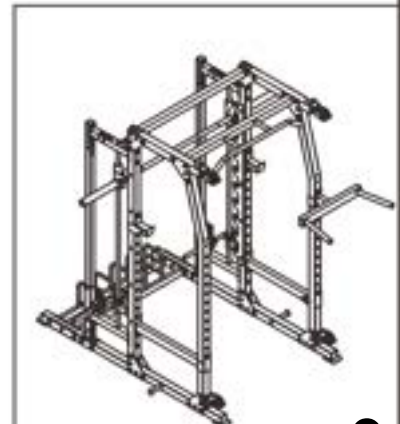
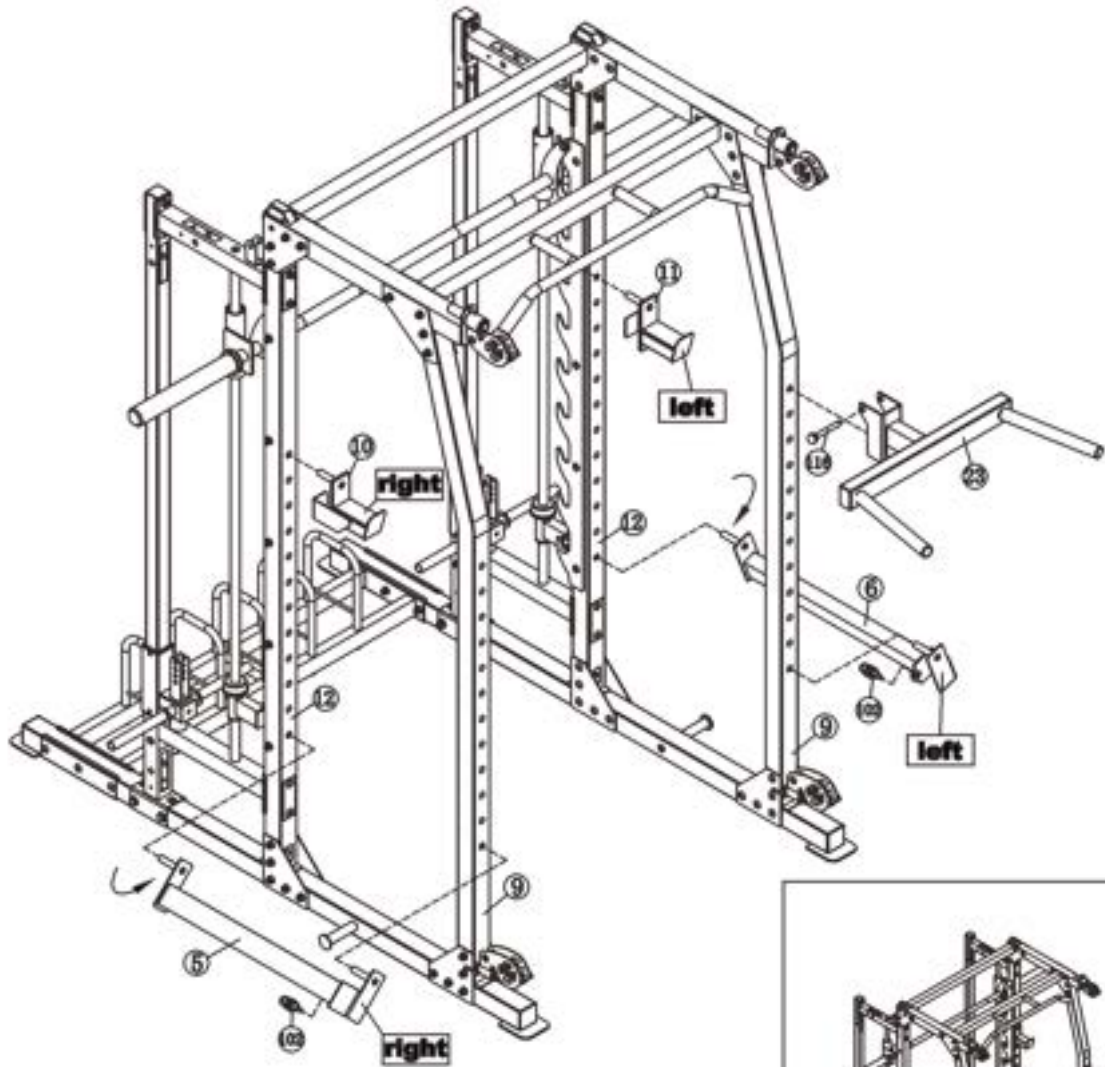
M16×1.5

116



1

Ø 1/2" × 3 1/2"



9

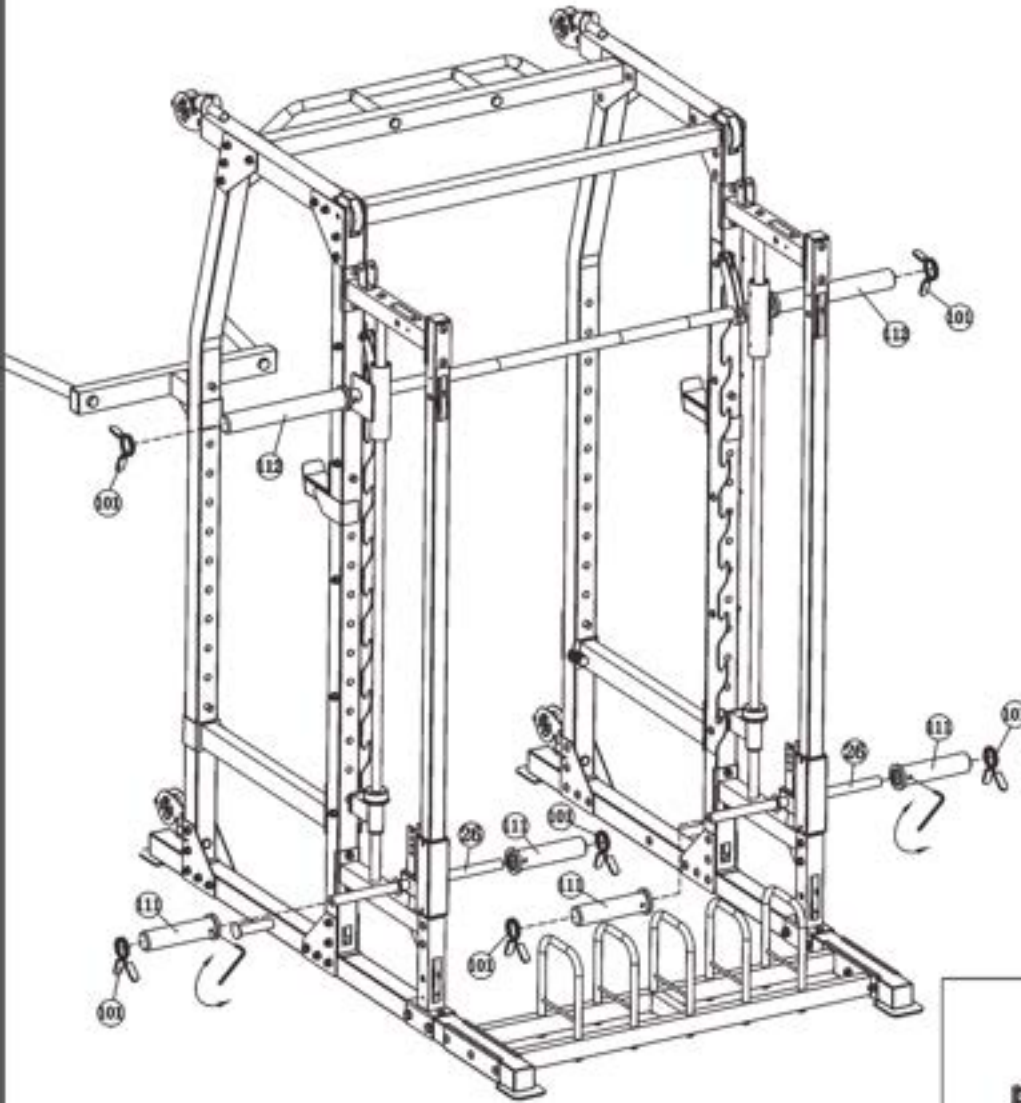
101



6










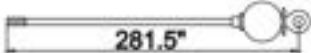


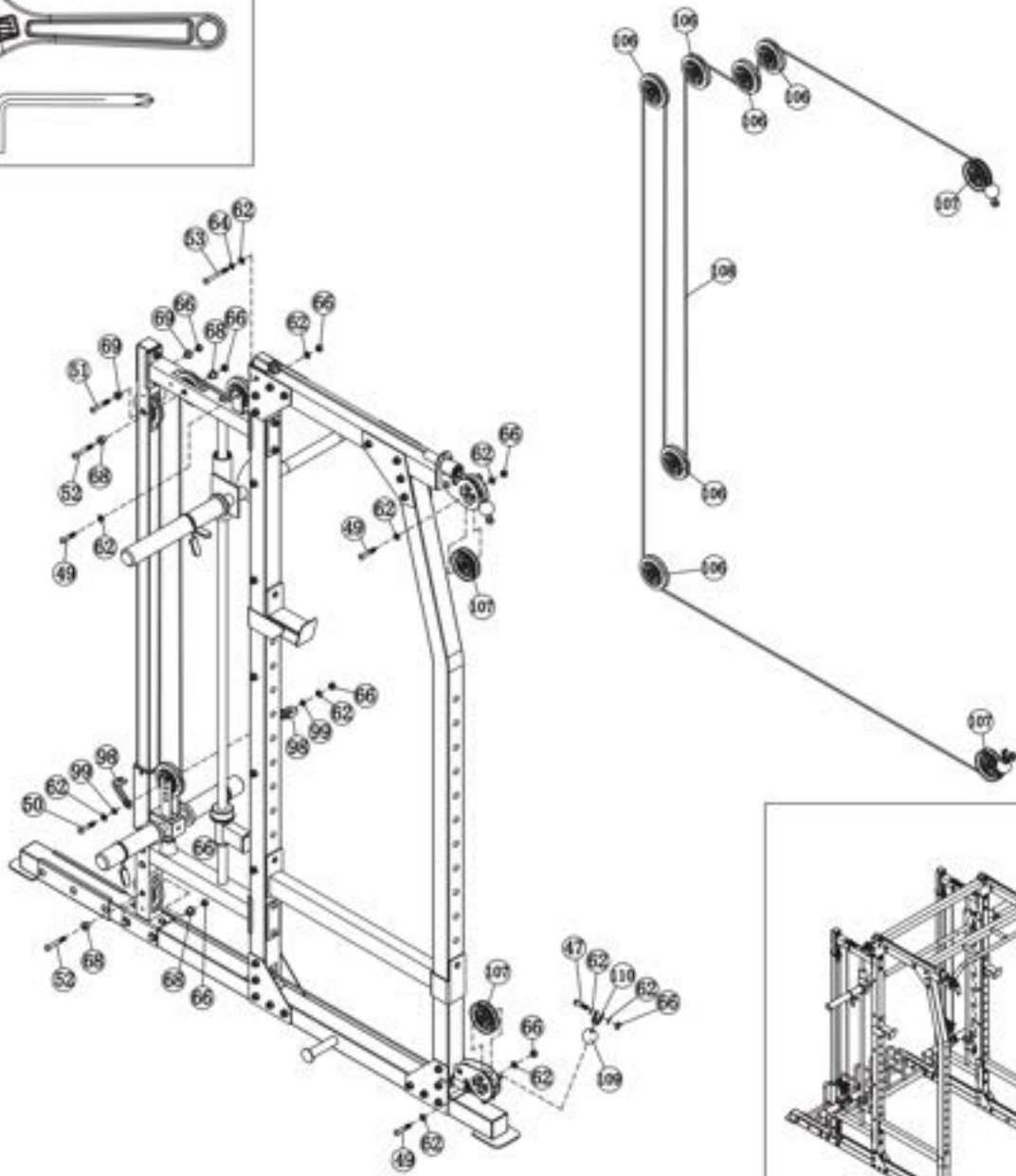
4# Allen Wrench (Tool)



10

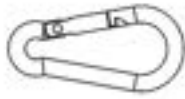


④7		2	M10×1 3/8"	④9		6	M10×1 3/4"
⑤0		2	M10×2"	⑤1		2	M10×2 3/8"
⑤2		4	M10×2 1/2"	⑤3		2	M10×3 1/8"
⑥2		22	Ø 3/4"	⑥4		2	Ø 3/4"
⑥6		16	M10	⑩8			

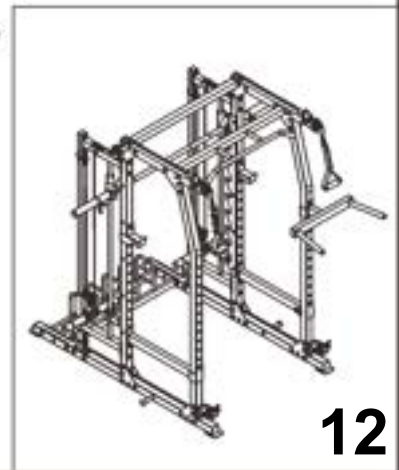
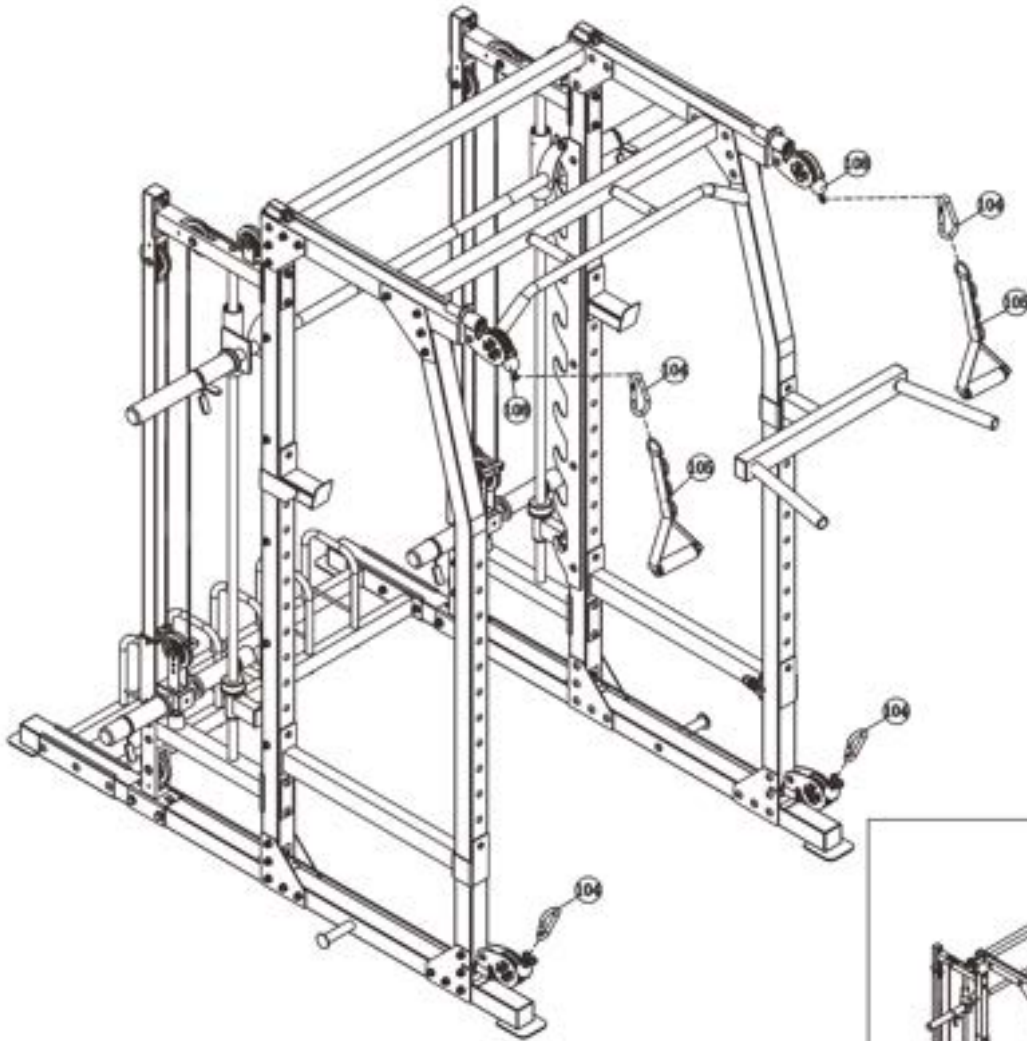


**11**

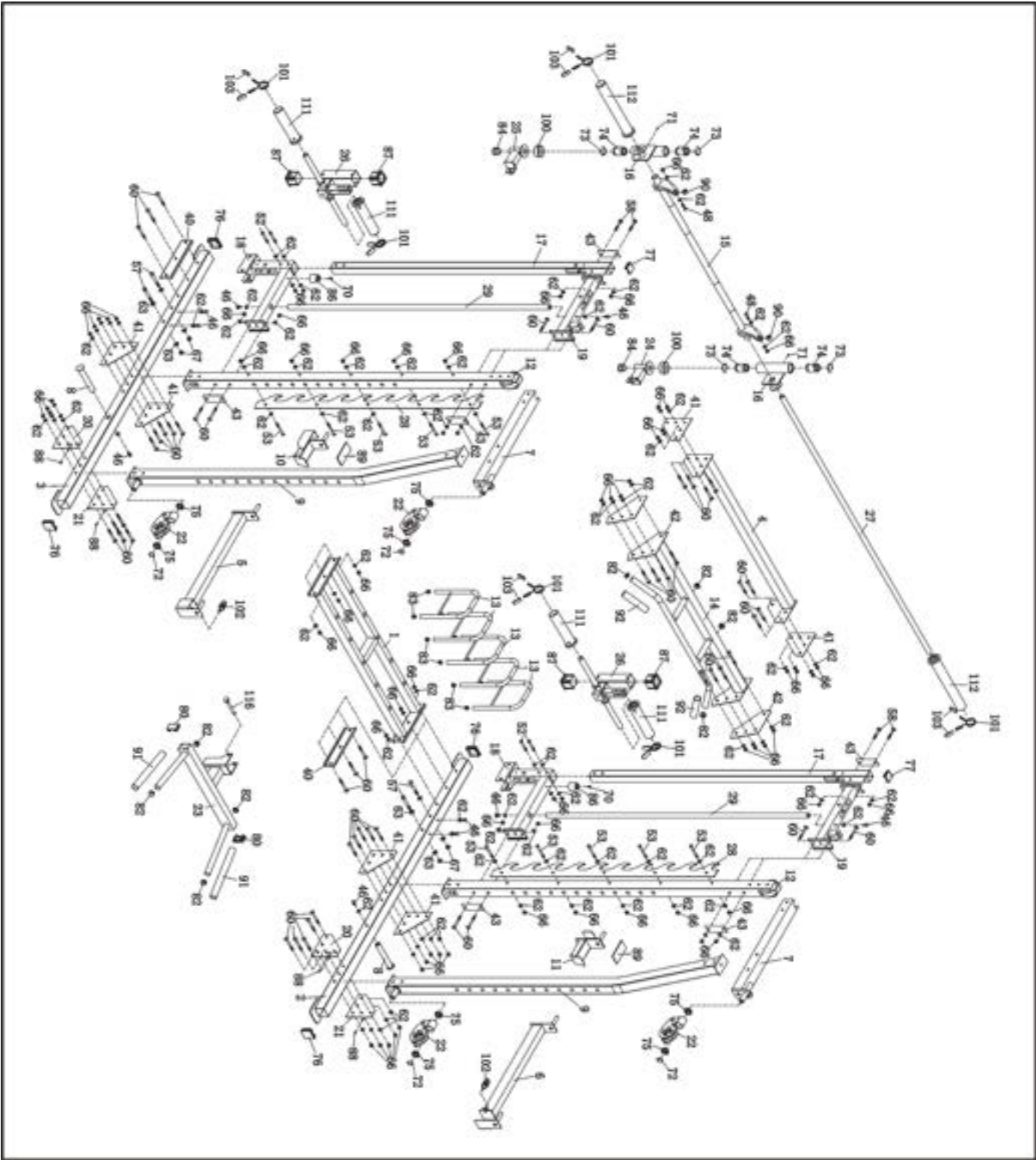
104

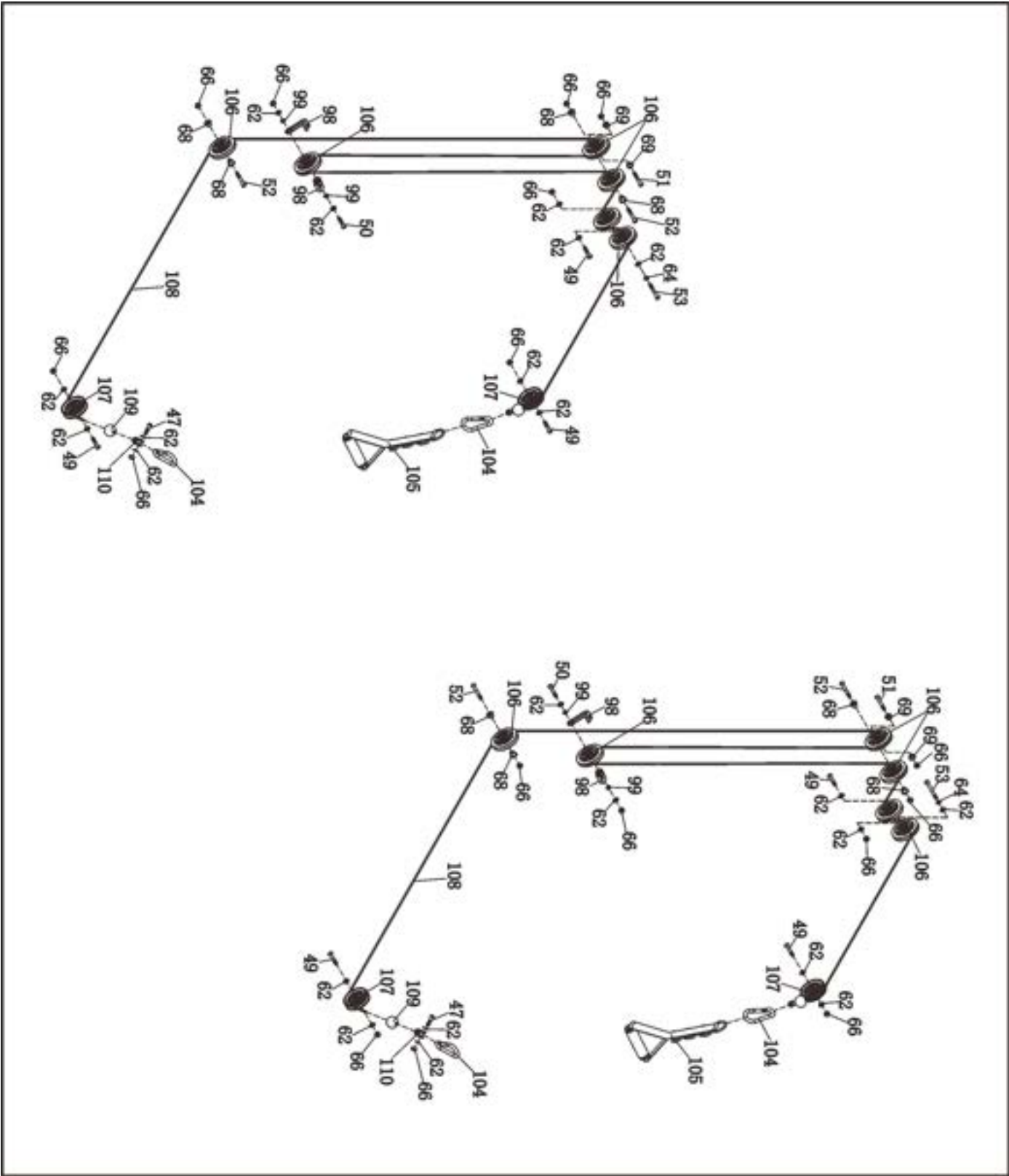


4 7# Clip hook



12





62



2

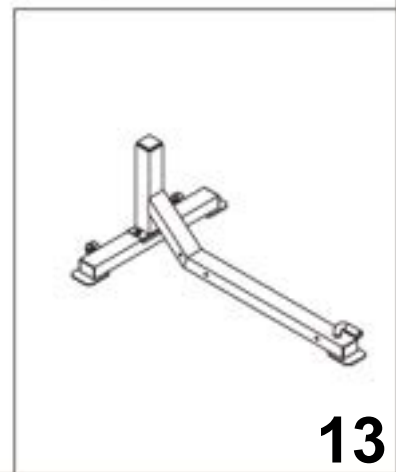
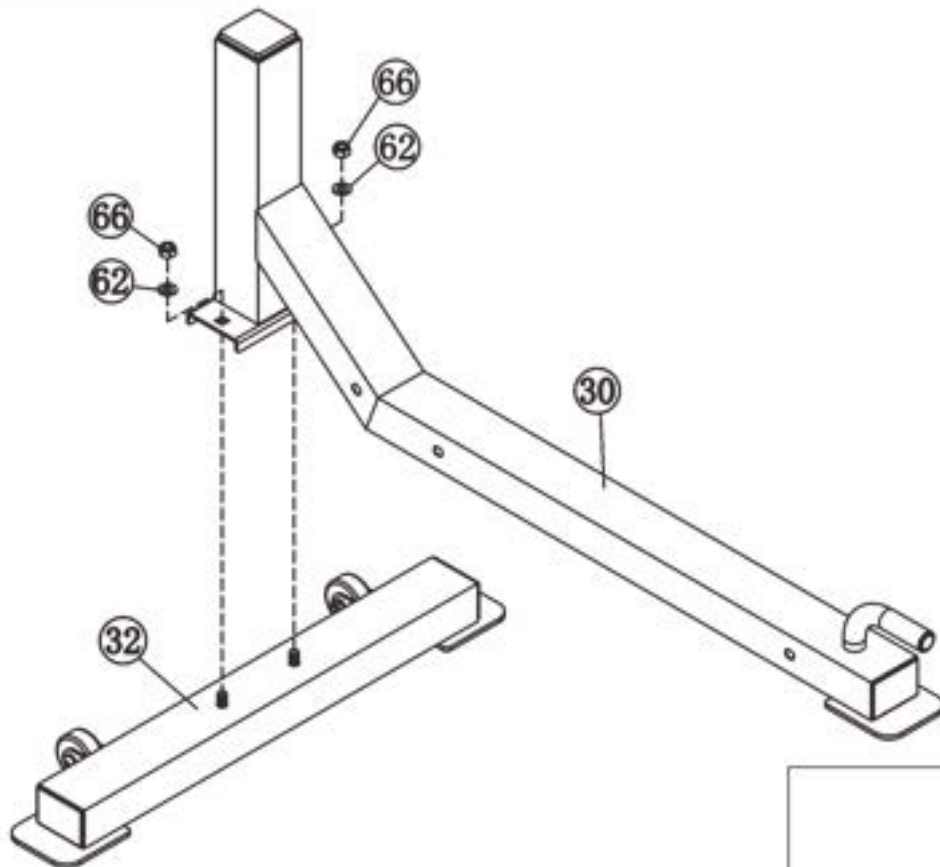
$\varnothing \frac{3}{4}$ "

66



2

M10



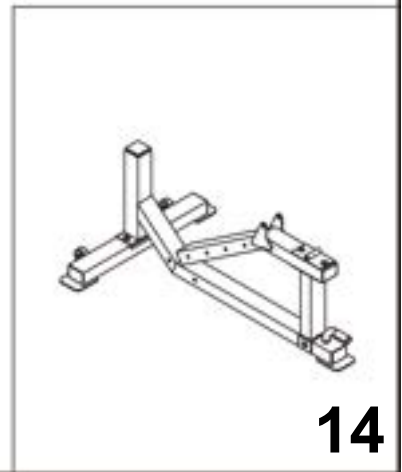
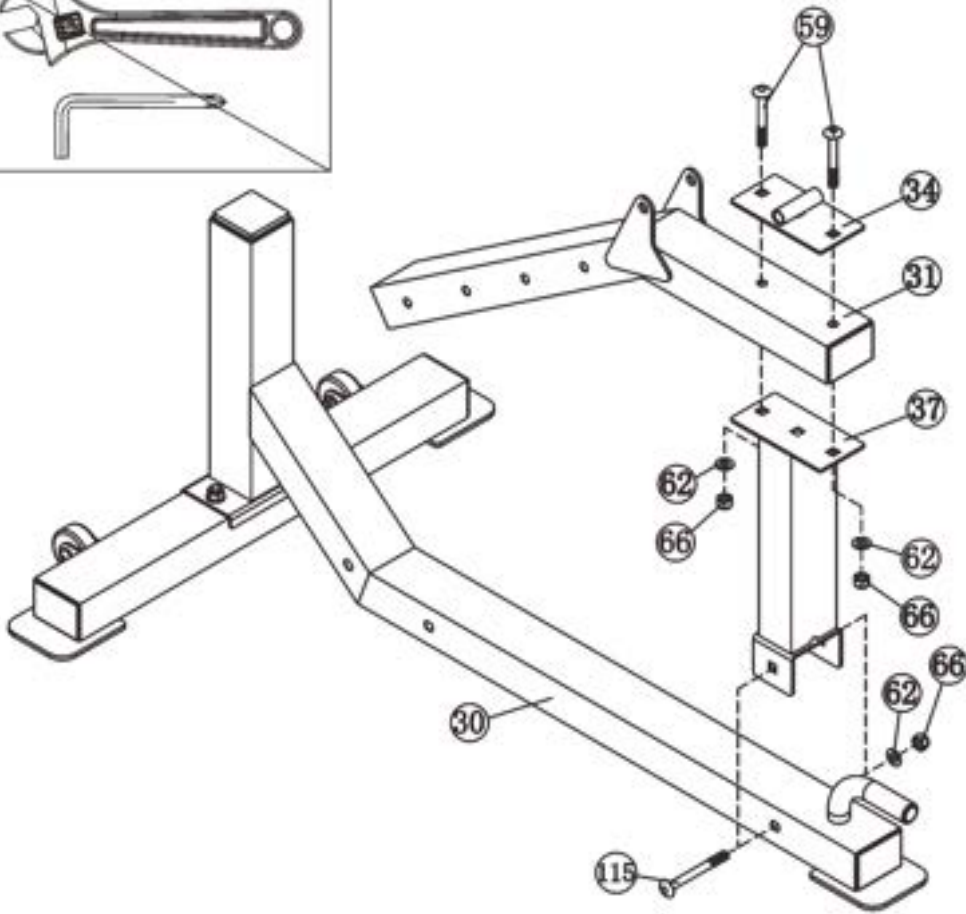
13

⑤⑨  2 M10×2 3/4"

①①⑤  1 M10×3 1/2"

⑥②  3  $\varnothing$  3/4"

⑥⑥  3 M10

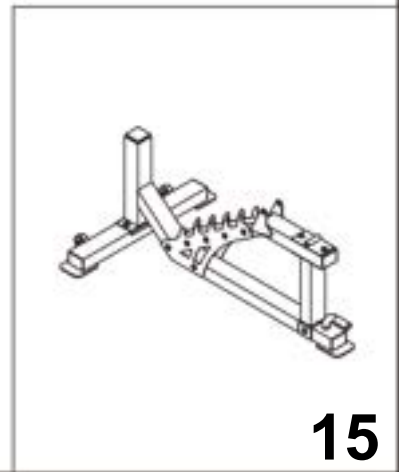
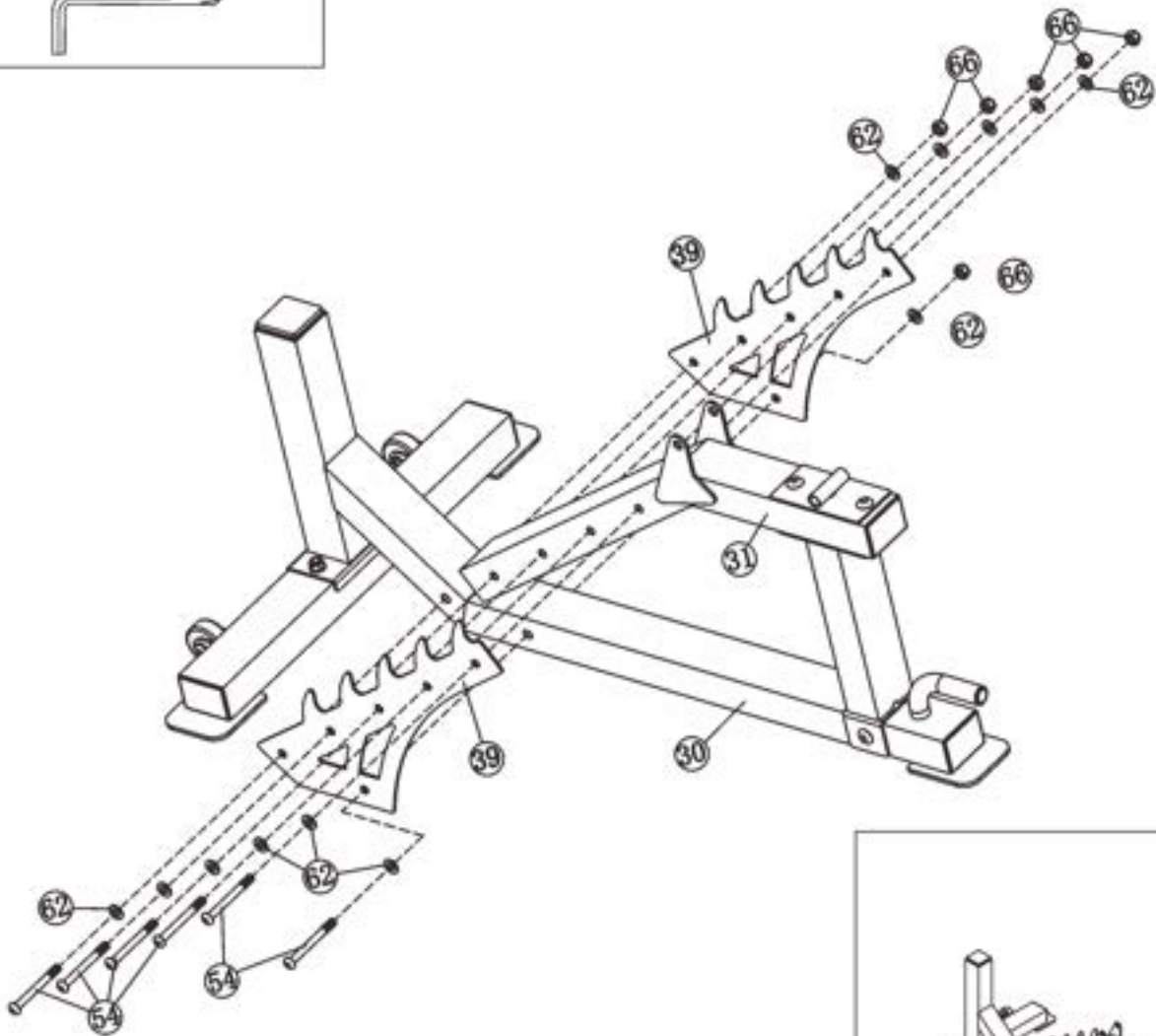


54  6 M10×3 1/2"

62  12 Ø 3/4"

66  6 M10

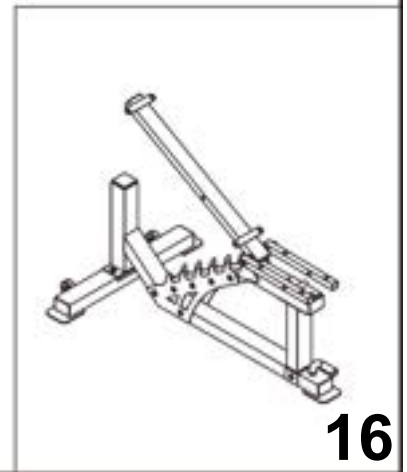
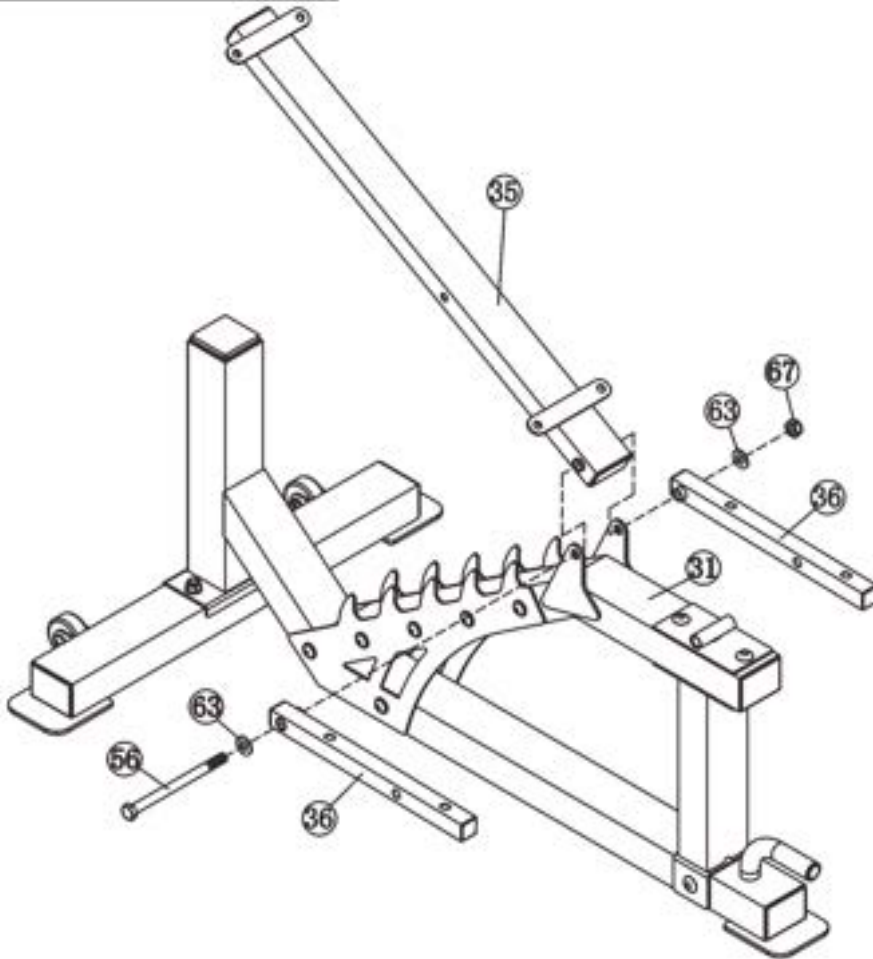
  
6# Allen Wrench (Tool)



⑤⑥  1 M12× 6 1/4"







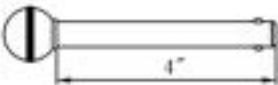
⑥③  2 Ø 1"

⑥⑦  1 M12



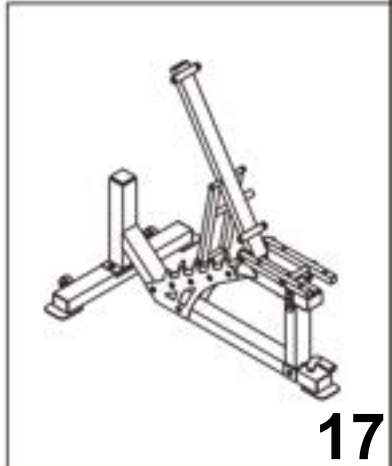
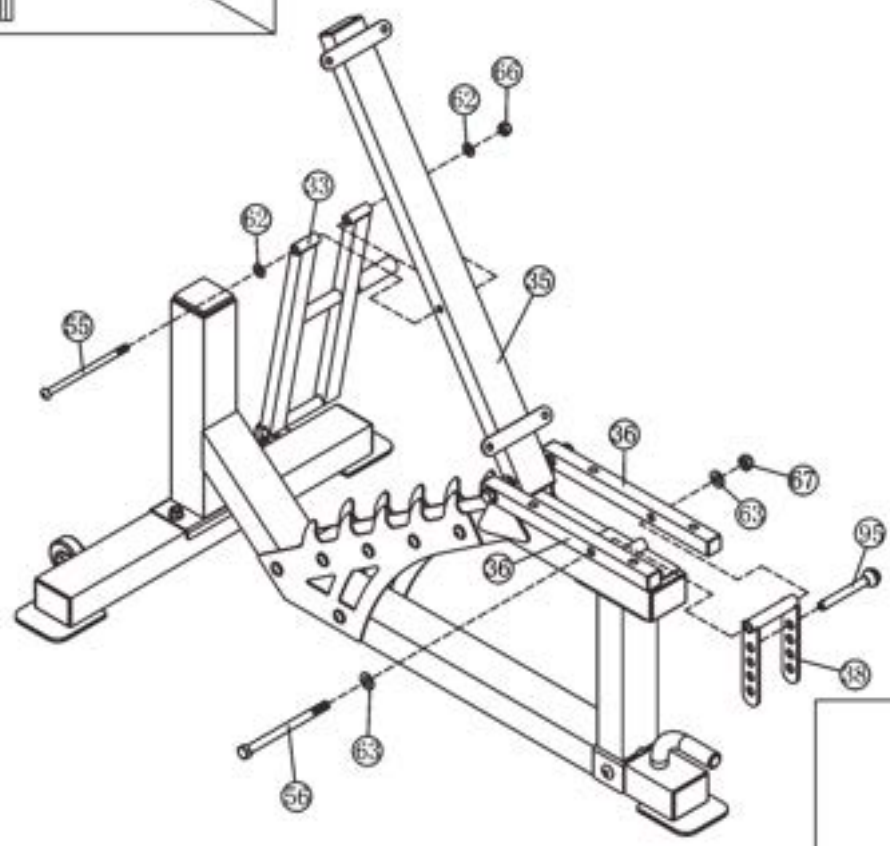
**16**



- |    |   |   |              |    |   |   |      |
|----|---|---|--------------|----|---|---|------|
| ⑤⑤ |  | 1 | M10 × 6 1/4" | ⑥③ |  | 2 | Ø 1" |
| ⑤⑥ |  | 1 | M12 × 6 1/4" | ⑥⑦ |  | 1 | M12  |
| ⑥② |  | 2 | Ø 3/4"       |    |   |   |      |
| ⑥⑥ |  | 1 | M10          |    |   |   |      |
| ⑨⑤ |  | 1 | Ø 1/2" × 4"  |    |   |   |      |




6# Allen Wrench (Tool)



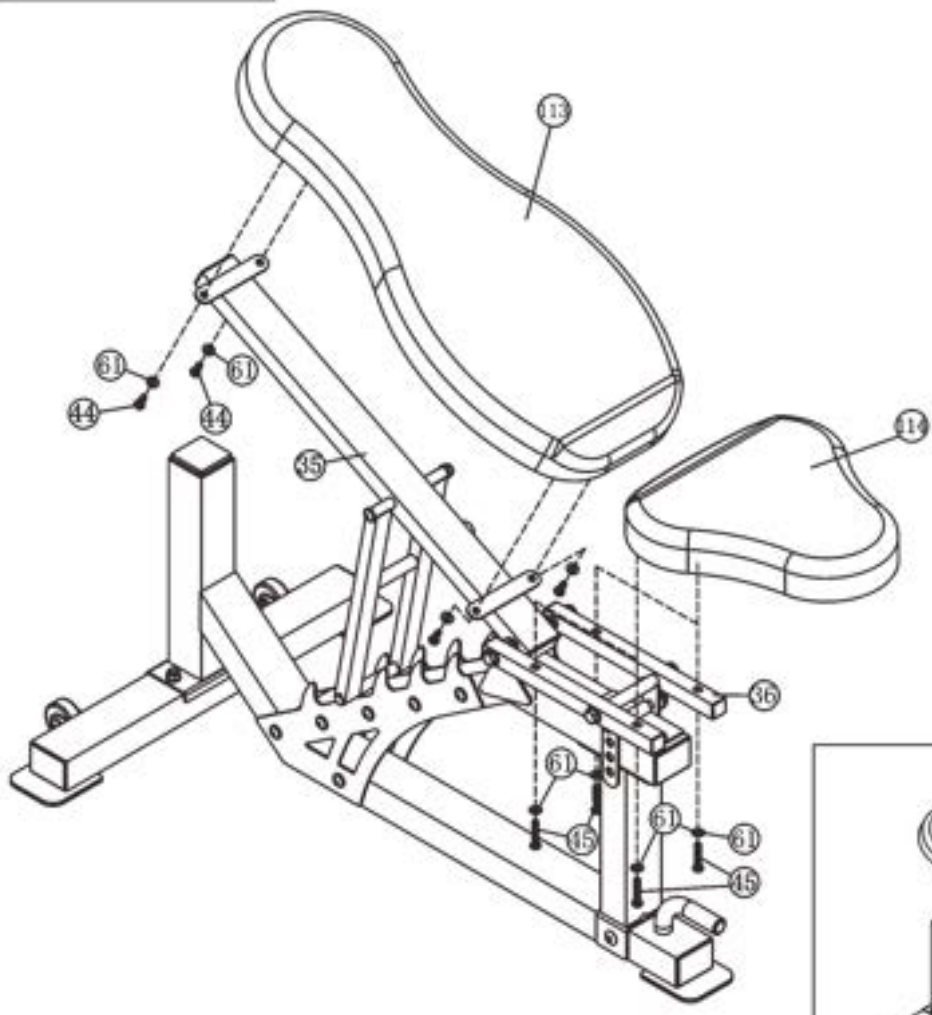
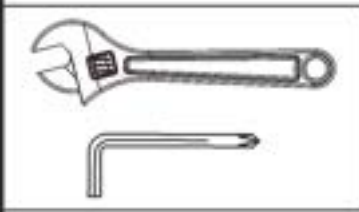
17

④④  4 M8 × 3/4"

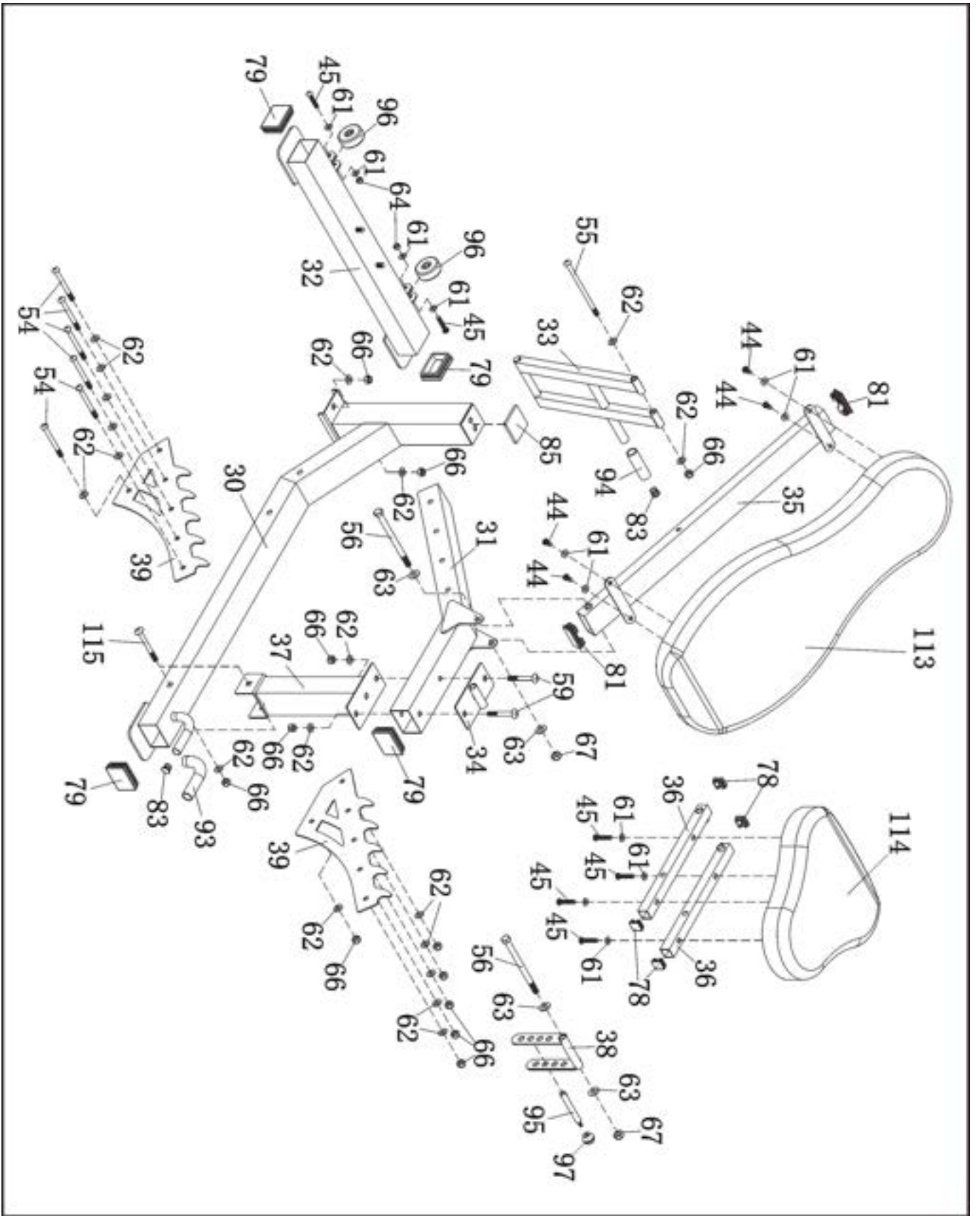
④⑤  4 M8 × 1 1/2"

⑥①  8 Ø 5/8"

  
5# Allen Wrench (Tool)



**18**



**IMPEX® INC.**

2801 S. Towne Ave. Pomona, CA 91766

Tel: (800) 999-8899

**[www.marcypro.com](http://www.marcypro.com)**

**[support@impex-fitness.com](mailto:support@impex-fitness.com)**