

NOTE:
Please read all instructions
carefully before using this
product

Table of Contents
Safety Notice
Hardware Identifier
Assembly Instruction
Parts List
Warranty
Ordering Parts

**Model
HG5000**

**Retain This
Manual for
Reference**

01122016

**OWNER'S
MANUAL**



MARCY ECLIPSE HG5000 DELUXE HOME GYM

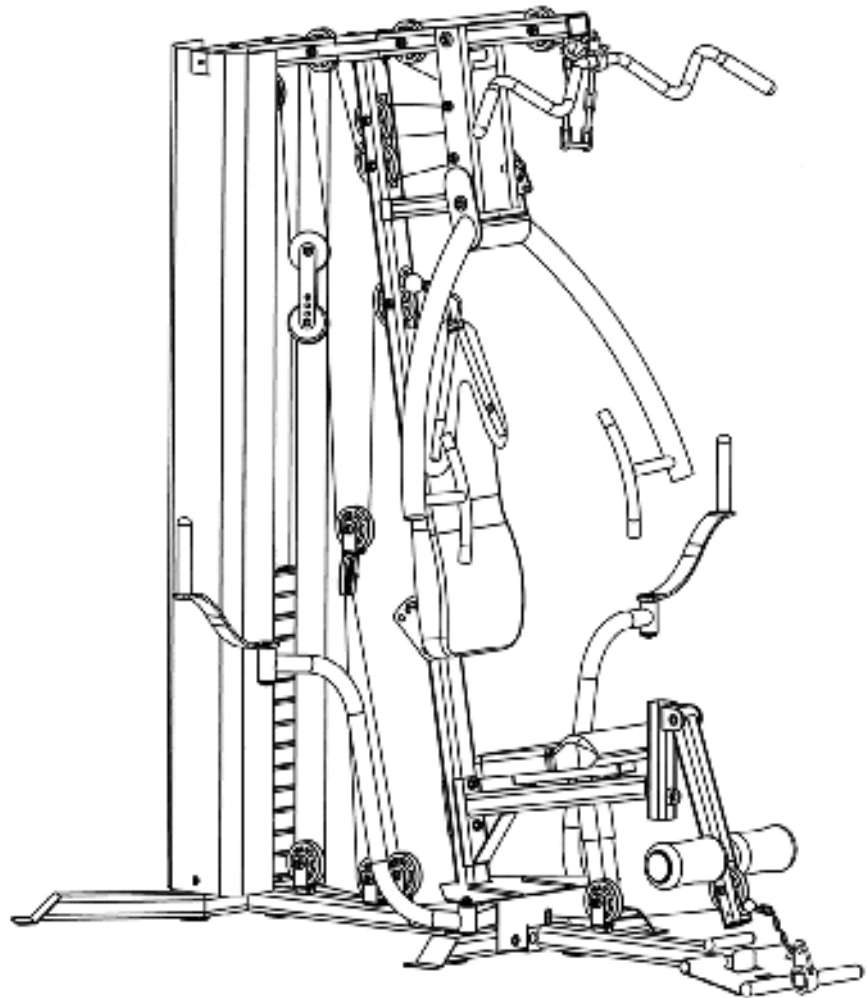


TABLE OF CONTENTS

BEFORE YOU BEGIN.....	1
IMPORTANT SAFETY NOTICES.....	2
HARDWARE PACK.....	4
ASSEMBLY INSTRUCTIONS.....	7
WEIGHT RESISTANCE CHART.....	26
PARTS LIST.....	27
WARRANTY.....	28
ORDERING PARTS.....	28

BEFORE YOU BEGIN

Thank you for selecting the MARCY Eclipse HG5000 Deluxe Home Gym. For your safety and benefit, read this manual carefully before using the equipment. As the official distributor for Marcy, we are committed to providing complete customer satisfaction. If you have any questions, or find there are missing or damaged parts, we guarantee you complete satisfaction through direct assistance. To avoid unnecessary delays, please contact our Customer Solutions Department.

Pure-Tec Limited
www.puretecfitness.com

Email: service@puretecfitness.com

IMPORTANT SAFETY NOTICE

PRECAUTIONS

This exercise machine is built for optimum safety. However, certain precautions apply whenever you operate a piece of exercise equipment. Be sure to read the entire manual before you assemble or operate your machine. In particular, note the following safety precautions:

- 1. Keep children and pets away from the machine at all times. DO NOT leave children unattended in the same room with the machine.**
2. Only one person at a time should use the machine.
3. If the user experiences dizziness, nausea, chest pain, or any other abnormal symptoms, STOP the workout at once. CONSULT A PHYSICIAN IMMEDIATELY.
4. Position the machine on a clear, leveled surface. DO NOT use the machine near water or outdoors.
5. Keep hands away from all moving parts.
6. Always wear appropriate workout clothing when exercising. DO NOT wear robes or other clothing that could become caught in the machine. Running or aerobic shoes are also required when using the machine.
7. Use the machine only for its intended use as described in this manual. DO NOT use attachments not recommended by the manufacturer.
8. Do not place any sharp object around the machine.
9. Disabled person should not use the machine without a qualified person or physician in attendance.
10. Before using the machine to exercise, always do stretching exercises to properly warm up.
11. Never operate the machine if the machine is not functioning properly.
12. A spotter is recommended during exercise.
13. Do not intend to insert weight selector pin while the weight stack or top plate is in elevated position.
14. Be certain the weight Selector Pin is completely inserted.
15. Never use dumbbells or other means to increase the weight resistance. Use only weight plates provided by manufacturer.
16. This machine is designed and intended for home and consumer use only, not for commercial use.

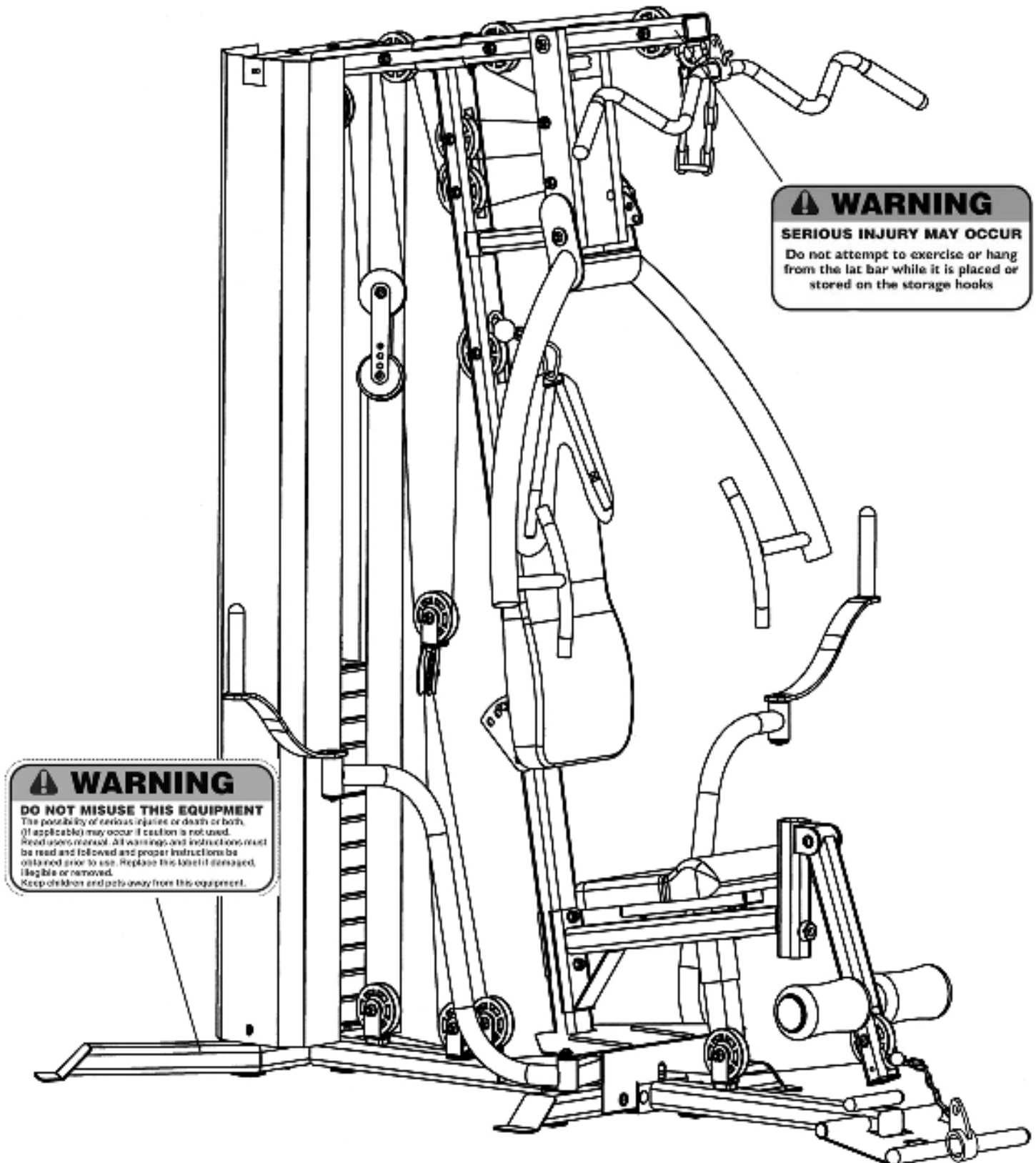
CARE AND MAINTENANCE

1. Lubricate moving parts with WD-40 or light oil periodically.
2. Inspect and tighten all parts before using the machine.
3. The machine can be cleaned using a damp cloth and mild non-abrasive detergent. DO NOT use solvents.
4. Maximum user's weight: 136kgs.

WARNING: BEFORE BEGINNING ANY EXERCISE PROGRAM, CONSULT YOUR PHYSICIAN. THIS IS ESPECIALLY IMPORTANT FOR INDIVIDUALS OVER THE AGE OF 35 OR PERSONS WITH PRE-EXISTING HEALTH PROBLEMS. READ ALL INSTRUCTIONS BEFORE USING ANY FITNESS EQUIPMENT. PURE-TEC LIMITED ASSUMES NO RESPONSIBILITY FOR PERSONAL INJURY OR PROPERTY DAMAGE SUSTAINED BY OR THROUGH THE USE OF THIS PRODUCT.

SAVE THESE INSTRUCTIONS.

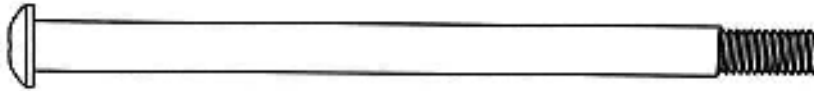
WARNING LABEL PLACEMENT



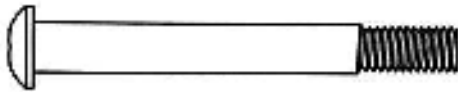
The warning labels shown here have been placed on the Rear Stabilizer and Upper Frame. If the labels are missing or illegible, please contact Customer Solutions by email: service@puretecfitness.com for replacements. Apply the labels in the location shown.

HARDWARE PACK

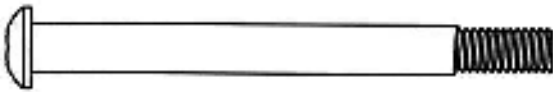
NOTE: The following parts are not drawn to scale. Please use your own ruler to measure the size.



#79 M10 x 6 $\frac{1}{4}$ " Allen Bolt (Qty 2)



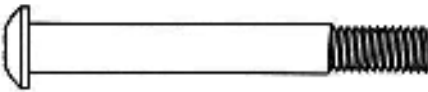
#77 M10 x 3 $\frac{1}{2}$ " Allen Bolt (Qty 6)



#80 M10 x 4 $\frac{3}{8}$ " Allen Bolt (Qty 1)



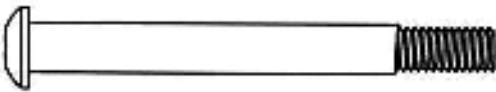
#85 M10 x 1 $\frac{3}{8}$ " Allen Bolt (Qty 1)



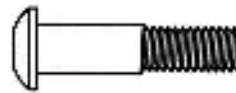
#81 M10 x 3 $\frac{3}{8}$ " Allen Bolt (Qty 2)



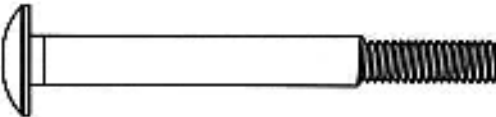
#78 M10 x $\frac{3}{4}$ " Allen Bolt (Qty 10)



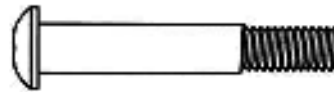
#82 M10 x 3 $\frac{1}{4}$ " Allen Bolt (Qty 6)



#83 M10 x 1 $\frac{1}{4}$ " Allen Bolt (Qty 11)



#89 M10 x 3 $\frac{3}{4}$ " Carriage Bolt (Qty 2)



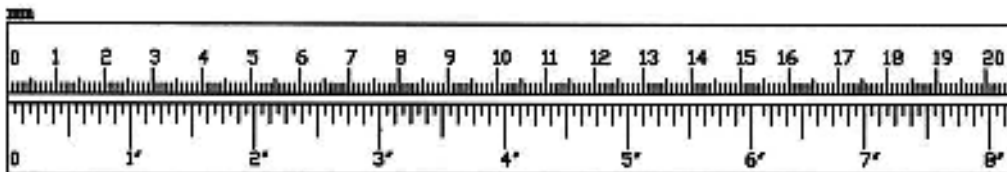
#84 M10 x 2 $\frac{1}{2}$ " Allen Bolt (Qty 1)



#90 M10 x 2 $\frac{3}{4}$ " Carriage Bolt (Qty 8)

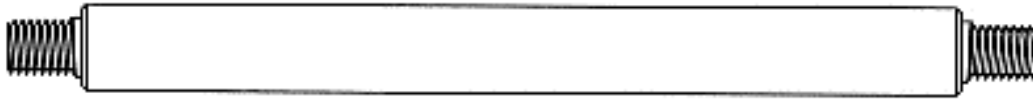


#86 M8 x 1 $\frac{1}{8}$ " Allen Bolt (Qty 4)

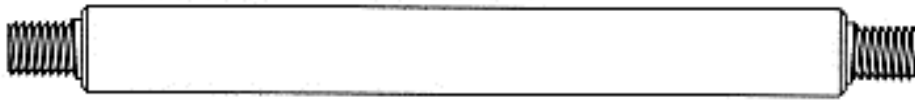


HARDWARE PACK

NOTE: The following parts are not drawn to scale. Please use your own ruler to measure the size.



#30 7 1/2" Front Press Axle (Qty 1)



#29 6 3/4" Front Press Base Axle (Qty 1)



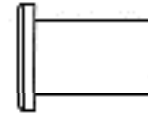
#72 Leg Developer Axle (Qty 1)



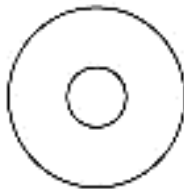
#51 \varnothing 1 1/4" Front Press Bushing (Qty 2)



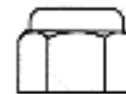
#52 7/8" Leg Developer Bushing (Qty 2)



#49 Pulley Bushing (Qty 12)



#59 \varnothing 1 1/4" Washer (Qty 6)



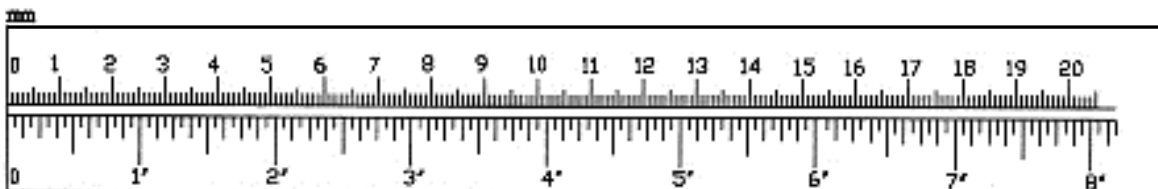
#91 M10 Aircraft Nut (Qty 38)



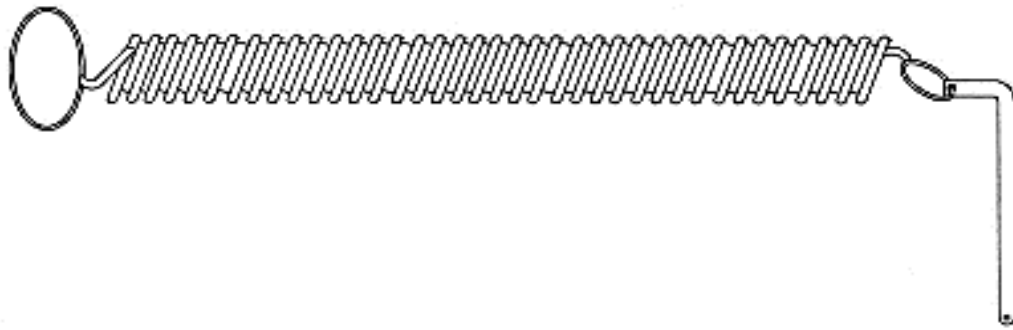
#88 \varnothing 5/8" Washer (Qty 4)



#92 \varnothing 3/4" Washer (Qty 60)



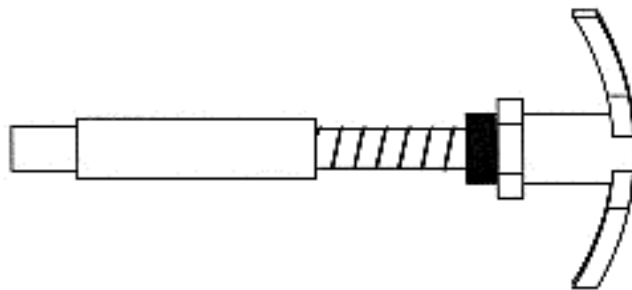
HARDWARE PACK



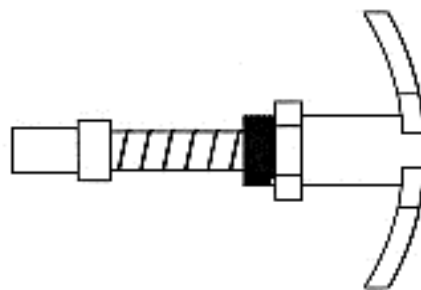
#42 Weight Plate Selector Pin (Qty 1)



#36 Chain (Qty 2)



#38 Long T-shaped Lock Pin (Qty 1)



#39 T-shaped Lock Pin (Qty 1)



#37 Hook (Qty 5)

ASSEMBLY INSTRUCTION

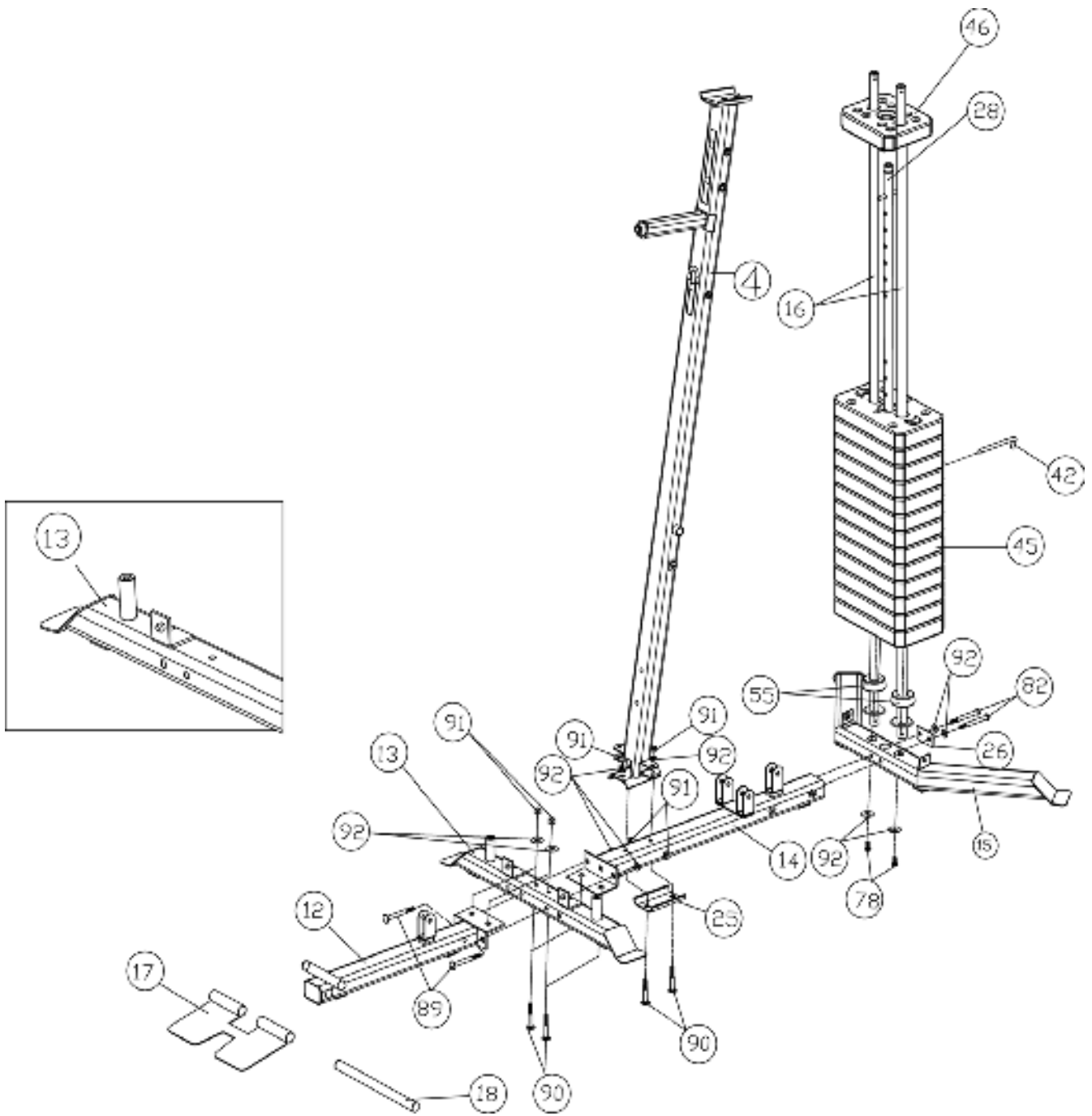
Tools Required for Assembling the Machine: Two Adjustable Wrenches and Allen Wrenches

NOTE: It is strongly recommended that this machine be assembled by two or more people to avoid possible injury.

STEP 1 (See Diagram 1)

- A.) Insert two Guide Rods (#16) into the holes on the Rear Stabilizer (#15). Secure each Guide Rod with one M10 x $\frac{3}{4}$ " Allen Bolt (#78) and $\varnothing \frac{3}{4}$ " Washer (#92) from the bottom. Attach two Rubber Bumpers (#55) onto top of the two Guide Rods and slide down to the stopper on the Guide Rods.
- B.) Attach the Vertical Frame (#4) onto the Rear Base Frame (#14). Secure it with two M10 x 2 $\frac{3}{4}$ " Carriage Bolts (#90), one 4 $\frac{3}{4}$ " x 2 $\frac{3}{4}$ " Bracket (#25), two $\varnothing \frac{3}{4}$ " Washers (#92), and two M10 Aircraft Nuts (#91). DO NOT tighten the Nuts and Bolts yet.
- C.) Attach the Butterfly Base (#13) to the Rear Base Frame (#14). Attach the Front Base Frame (#12) to the Butterfly Base (#13). Align the holes and secure them together with two M10 x 2 $\frac{3}{4}$ " Carriage Bolts (#90) from the bottom, two M10 x 3 $\frac{3}{4}$ " Carriage Bolts (#89) from the side of Butterfly Base, four $\varnothing \frac{3}{4}$ " Washers (#92), and four M10 Aircraft Nuts (#91).
- D.) Attach the Rear Base Frame (#14) to the Rear Stabilizer (#15). Secure them together with two M10 x 3 $\frac{3}{4}$ " Allen Bolts (#82), two $\varnothing \frac{3}{4}$ " Washers (#92), and one 1 $\frac{5}{8}$ " x 1 $\frac{1}{2}$ " Bracket (#26).
- E.) Attach the Foot Plate (#17) to the Front Base Frame (#12). Align the holes and insert the 13" Foot Plate Axle (#18) through the holes.
- F.) Slide 13 Weight Plates (#45) onto the Guide Rods. Make sure the deep groves on all Plates face down and toward the back. Insert the Selector Rod (#28) through the center hole on the Weight Plates. Slide the Weight Selector Stem (#46) onto the Guide Rods.
- G.) Use the Weight Plate Selector Pin (#42) to select desired number of Weight Plates to exercise. NOTE: Each Plate weights approximately 6.8kg. Please refer to the Weight Resistance Chart on page 26.

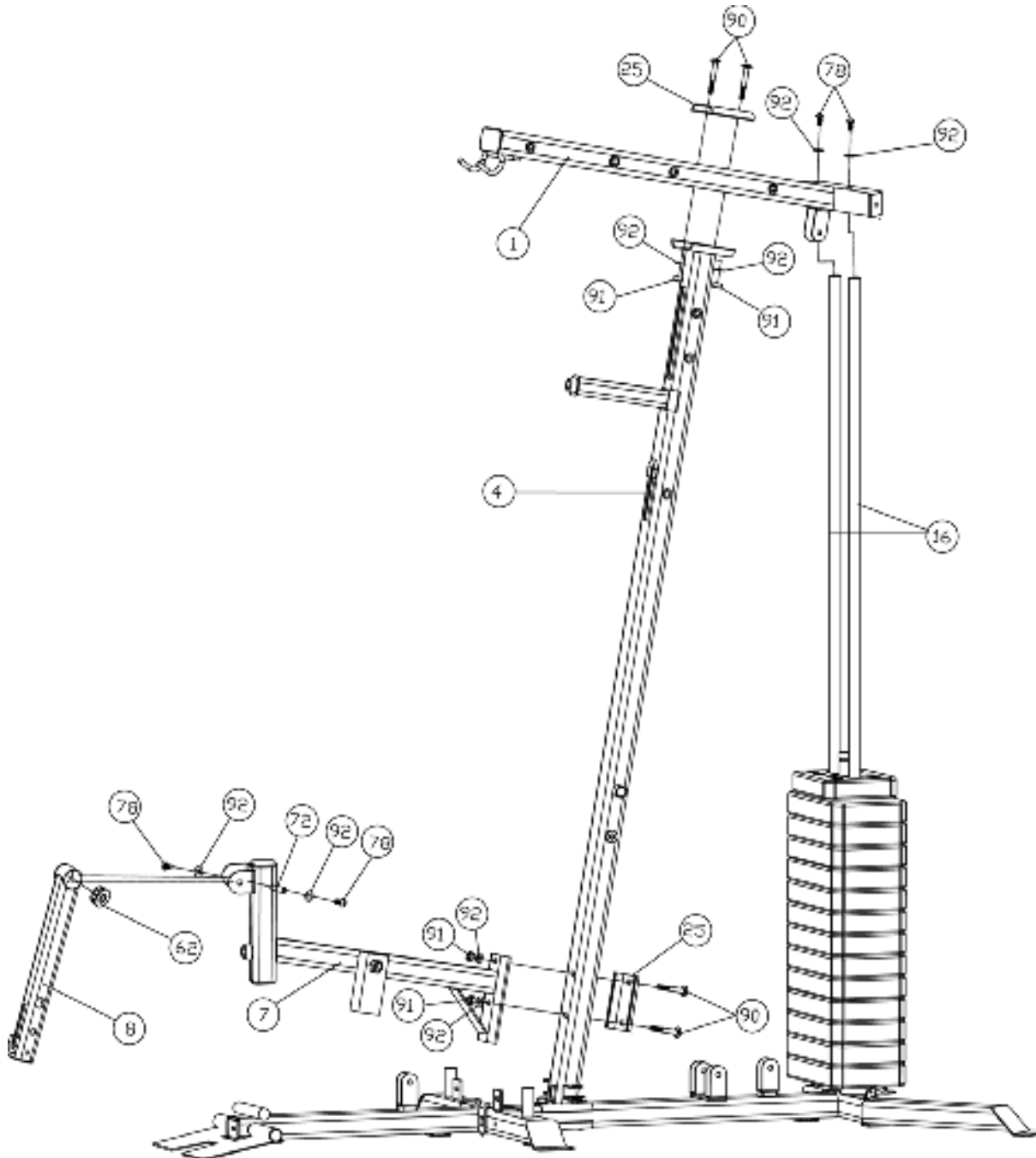
DIAGRAM 1



STEP 2 (See Diagram 2)

- A.) Attach the Upper Frame (#1) onto the two Guide Rods (#16). Secure it with two M10 x $\frac{3}{4}$ " Allen Bolts (#78) and $\varnothing \frac{3}{4}$ " Washers (#92). DO NOT tighten the Bolts yet.
- B.) Place the Upper Frame (#1) onto the Vertical Frame (#4). Secure it with two M10 x $2 \frac{3}{4}$ " Carriage Bolts (#90), one $4 \frac{3}{4}$ " x $2 \frac{3}{4}$ " Bracket (#25), two $\varnothing \frac{3}{4}$ " Washers (#92), and two M10 Aircraft Nuts (#91).
- C.) Securely tighten all Nuts and Bolts previously installed.
- D.) Attach the Seat Support Frame (#7) to the Vertical Frame (#4). Secure it with two M10 x $2 \frac{3}{4}$ " Carriage Bolts (#90), one $4 \frac{3}{4}$ " x $2 \frac{3}{4}$ " Bracket (#25), two $\varnothing \frac{3}{4}$ " Washers (#92), and two M10 Aircraft Nuts (#91).
- E.) Attach the Leg Developer (#8) to the bracket on the Seat Support Frame. Secure it with one Leg Developer Axle (#72), two M10 x $\frac{3}{4}$ " Allen Bolts (#78), and two $\varnothing \frac{3}{4}$ " Washers (#92). Do not over tighten the Bolts. Make sure the Leg Developer is able to swivel.

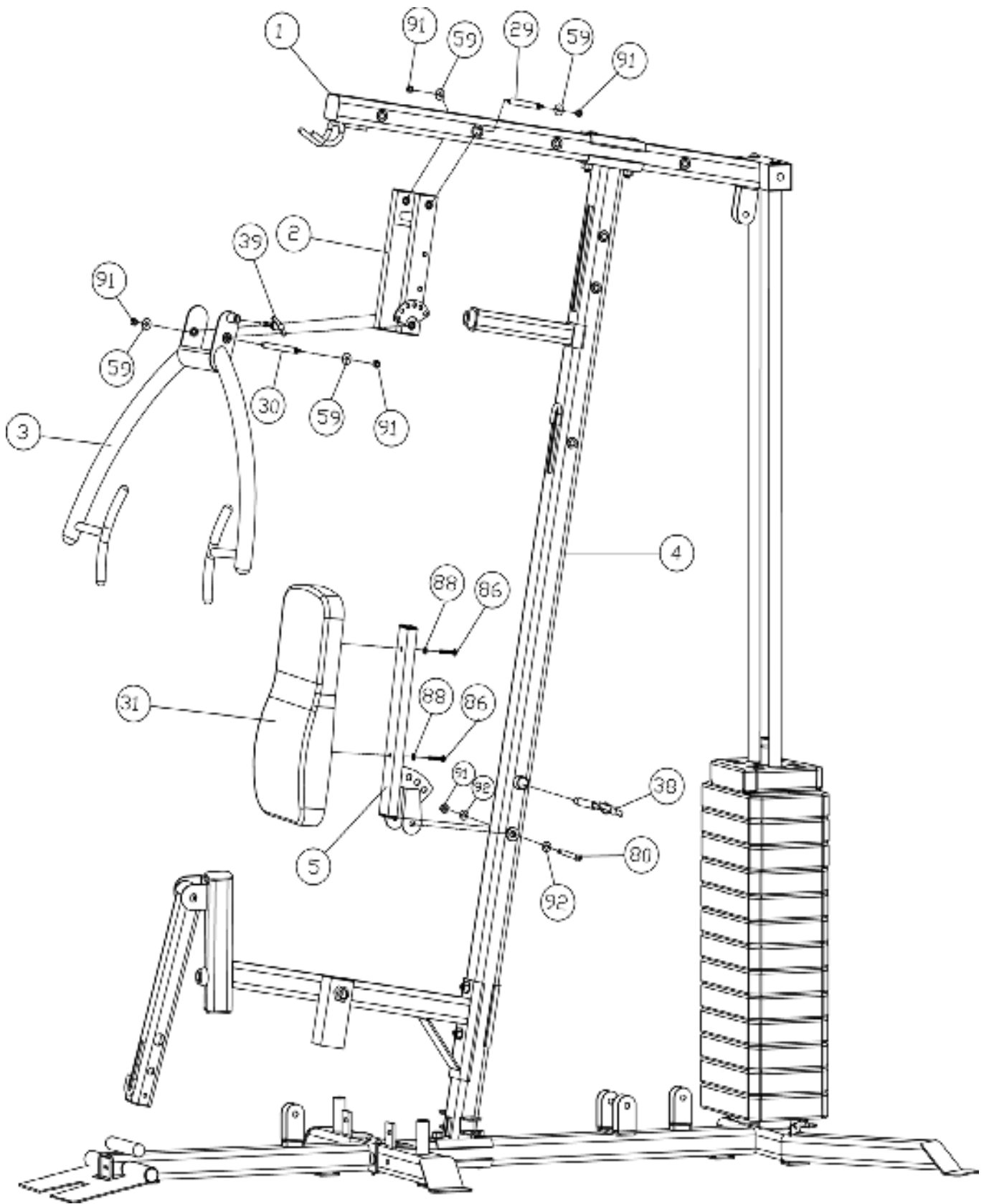
DIAGRAM 2



STEP 3 (See Diagram 3)

- A.) Attach the Front Press Base (#2) to the Upper Frame (#1). Secure it with one 6 3/4" Front Press Base Axle (#29), two Ø 1 1/4" Washers (#59), and two M10 Aircraft Nuts (#91).
- B.) Attach the Front Press (#3) to the Front Press Base (#2). Secure it with one 7 1/2" Front Press Axle (#30), two Ø 1 1/4" Washers (#59), and two M10 Aircraft Nuts (#91).
- C.) Thread the T-shaped Lock Pin (#39) into the hole on the Front Press to obtain the desired Front Press position.
- D.) Attach the Backrest Board (#31) to the Backrest Support Frame (#5). Secure it with two M8 x 1 5/8" Allen Bolts (#86) and Ø 5/8" Washers (#88).
- E.) Attach the Backrest Support Frame to the Vertical Frame (#4). Secure it with one M10 x 4 3/8" Allen Bolt (#80), two Ø 3/4" Washers (#92), and one M10 Aircraft Nut (#91).
- F.) Thread the Long T-shaped Lock Pin (#38) into the hole on the side of the Vertical Frame to obtain the desired Backrest position.

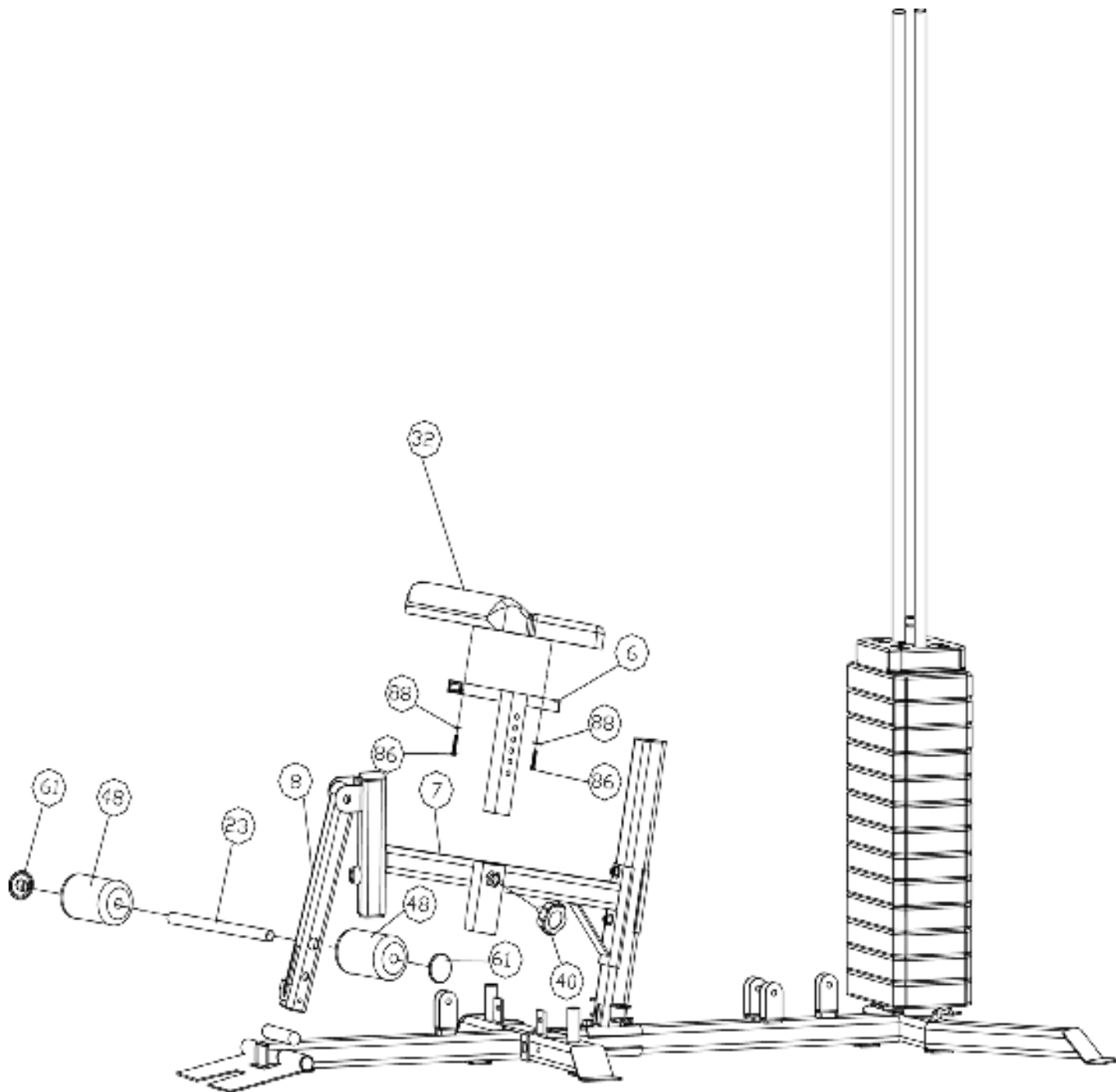
DIAGRAM 3



STEP 4 (See Diagram 4)

- A.) Attach the Seat (#32) to the Seat Post (#6). Secure it with two M8 x 1 5/8" Allen Bolts (#86) and Ø 5/8" Washers (#88).
- B.) Insert the Seat Post into the opening on the Seat Support Frame (#7). Thread the Lock Knob (#40) into the hole on the Seat Support Frame to lock the Seat at selected height.
- C.) Insert the Foam Tube (#23) halfway through the hole on the Leg Developer (#8). Push two Foam Rolls (#48) onto the Foam Tube from both ends. Plug two Foam Roll End Caps (#61) into the Ends.

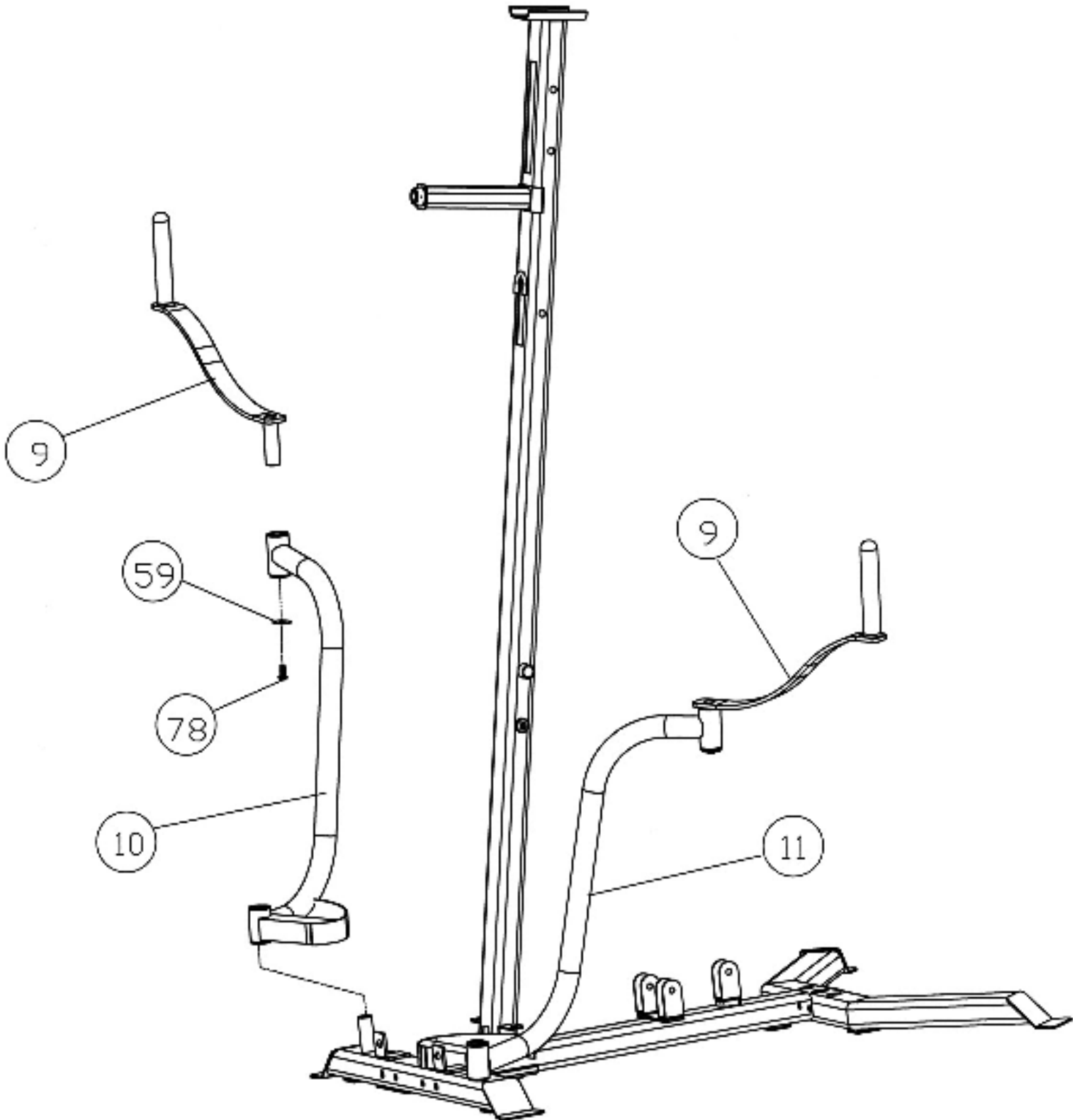
DIAGRAM 4



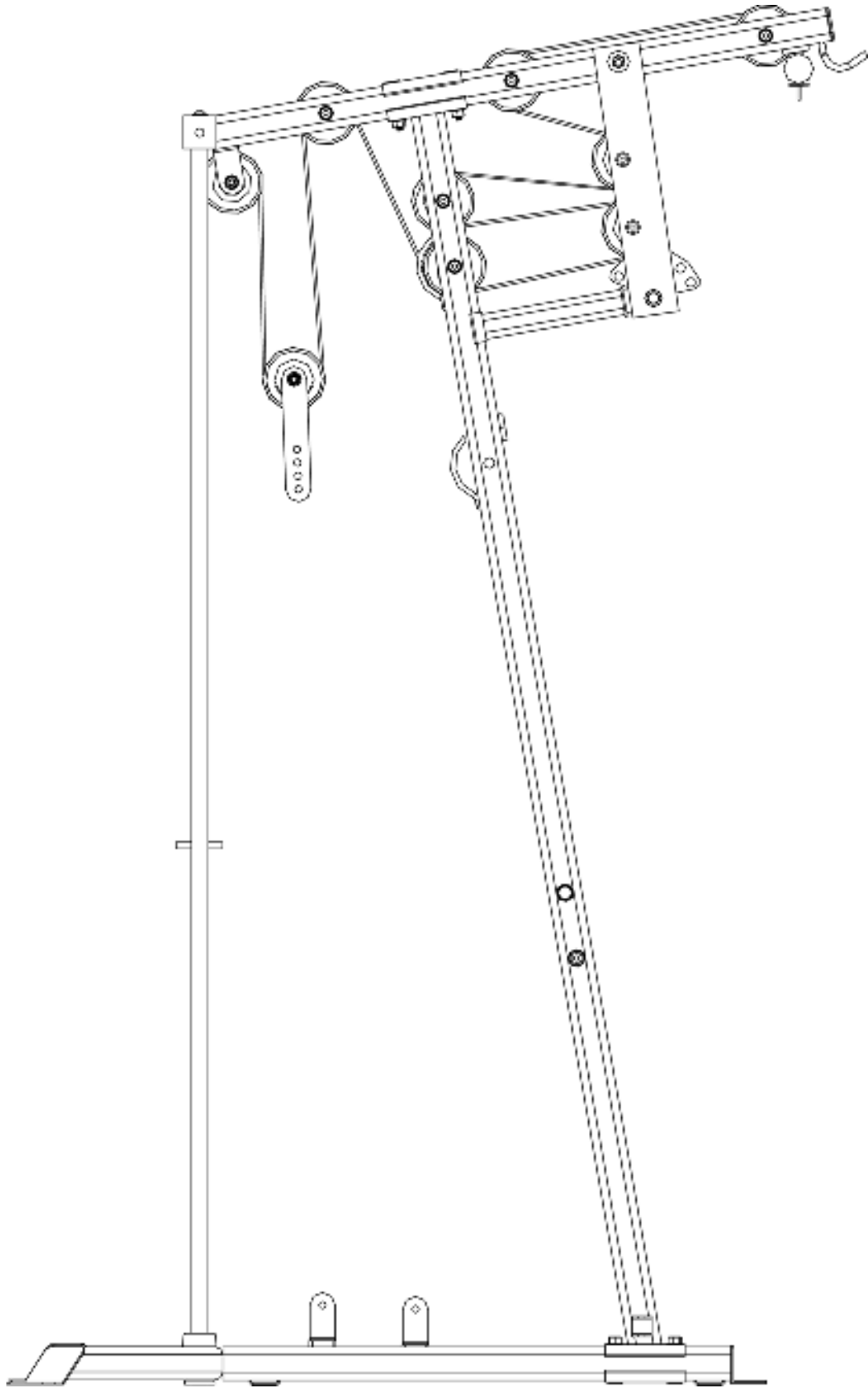
STEP 5 (See Diagram 5)

- A.) Slide the Right Butterfly (#10) onto the right axle on the Butterfly Base (#13).
- B.) Insert the Butterfly Handle (#9) into the pivot on the Right Butterfly. Secure it with one M10 x 3/4" Allen Bolt (#78) and \varnothing 1 1/4" Washer (#59) from the bottom.
- C.) Repeat Procedures A and B above to install the other side. Do not over tighten the Bolts. Make sure the Handles are able to swivel.

DIAGRAM 5



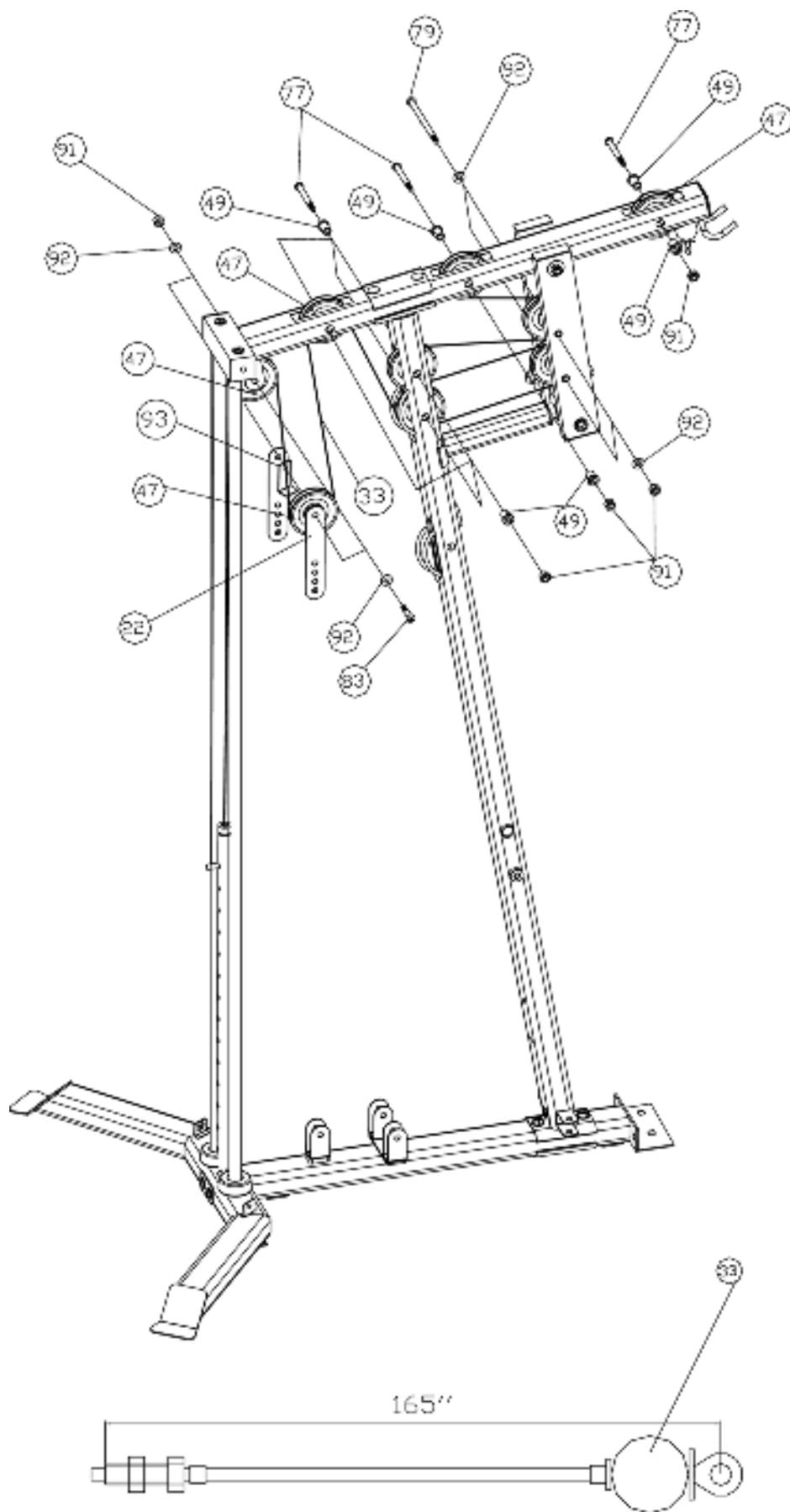
CABLE LOOP DIAGRAM



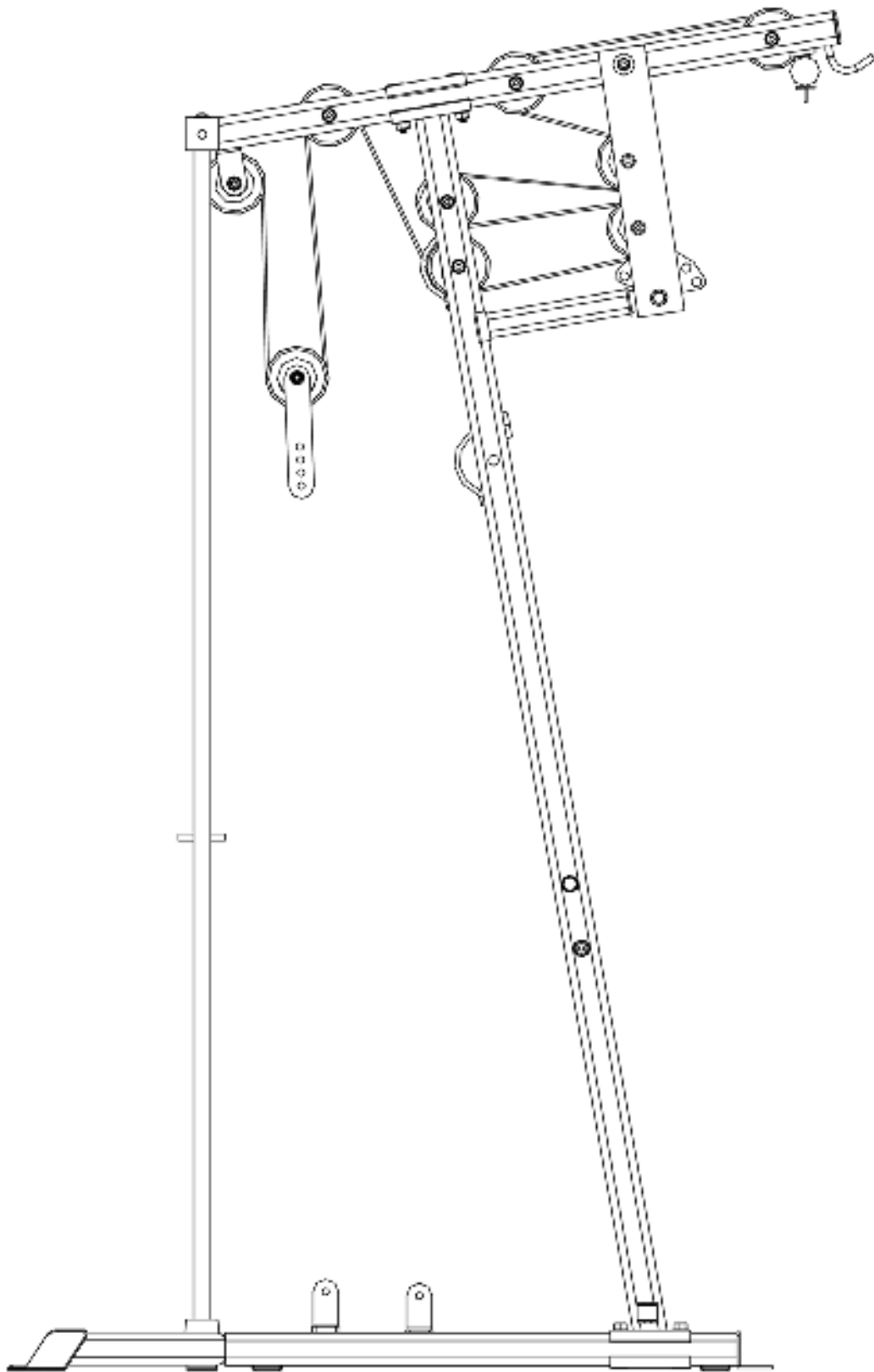
STEP 6 (See Diagram 6 & Upper Cable Loop Diagram)

- A.) Attach the 419cm Upper Cable (#33) to the opening on the front of Upper Frame (#1). Make sure the ball stopper is underneath the Frame. Attach a Pulley (#47) to the Cable.
- B.) Secure the Pulley to the opening with one M10 x 3 ½" Allen Bolt (#77), two Pulley Bushings (#49), and one M10 Aircraft Nut (#91).
- C.) Draw the Cable over the Pulley along the Upper Frame towards the back of the machine to the opening in the middle of Upper Frame. Repeat Procedure B above to install a Pulley.
- D.) Draw the Cable around the Pulley then back to the upper opening on the Front Press Base (#2). Attach a Pulley to the opening. Secure it with one M10 x 6 ¼" Allen Bolt (#79), two Ø ¾" Washers (#92), and one M10 Aircraft Nut (#91).
- E.) Draw the Cable around the Pulley then towards the upper opening on the Vertical Frame (#4). Repeat Procedure B above to install a Pulley.
- F.) Draw the Cable around the Pulley and back to the lower opening on the Front Press Base. Repeat Procedure D above to install a Pulley.
- G.) Draw the Cable around the Pulley then to the lower opening on the Vertical Frame. Repeat Procedure B above to install a Pulley.
- H.) Draw the Cable underneath the Pulley then pull upward to the other opening on the back of the Upper Frame. Repeat Procedure B above to install a Pulley.
- I.) Draw the Cable around the Pulley then downward. Attach a Pulley and a L-shape Cable Retainer (#93) to the top hole on the two Double Floating Pulley Brackets (#22). Secure the Pulley and the L-shape Cable Retainer together to the brackets with one M10 x 1¾" Allen Bolt (#83), two Ø ¾" Washers (#92), and one M10 Aircraft Nut (#91). Let the Bracket hanging for now.
- J.) Draw the Cable around the Pulley then upward to the open bracket between the two Guide Rods. Repeat Procedure J above to install a Pulley.
- K.) Draw the Cable around the Pulley then downward to the Selector Rod (#28). Securely thread the Head Bolt at end of the Cable into the Selector Rod.

DIAGRAM 6



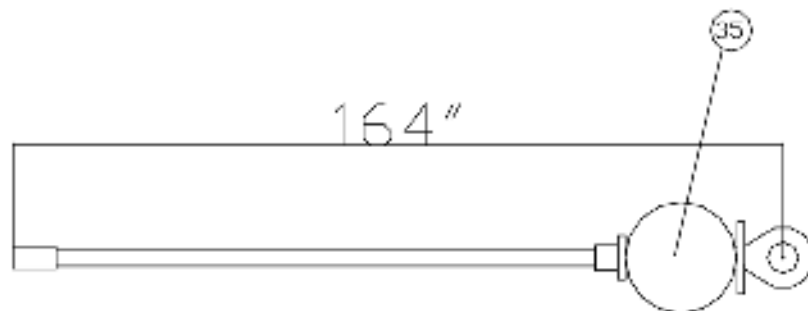
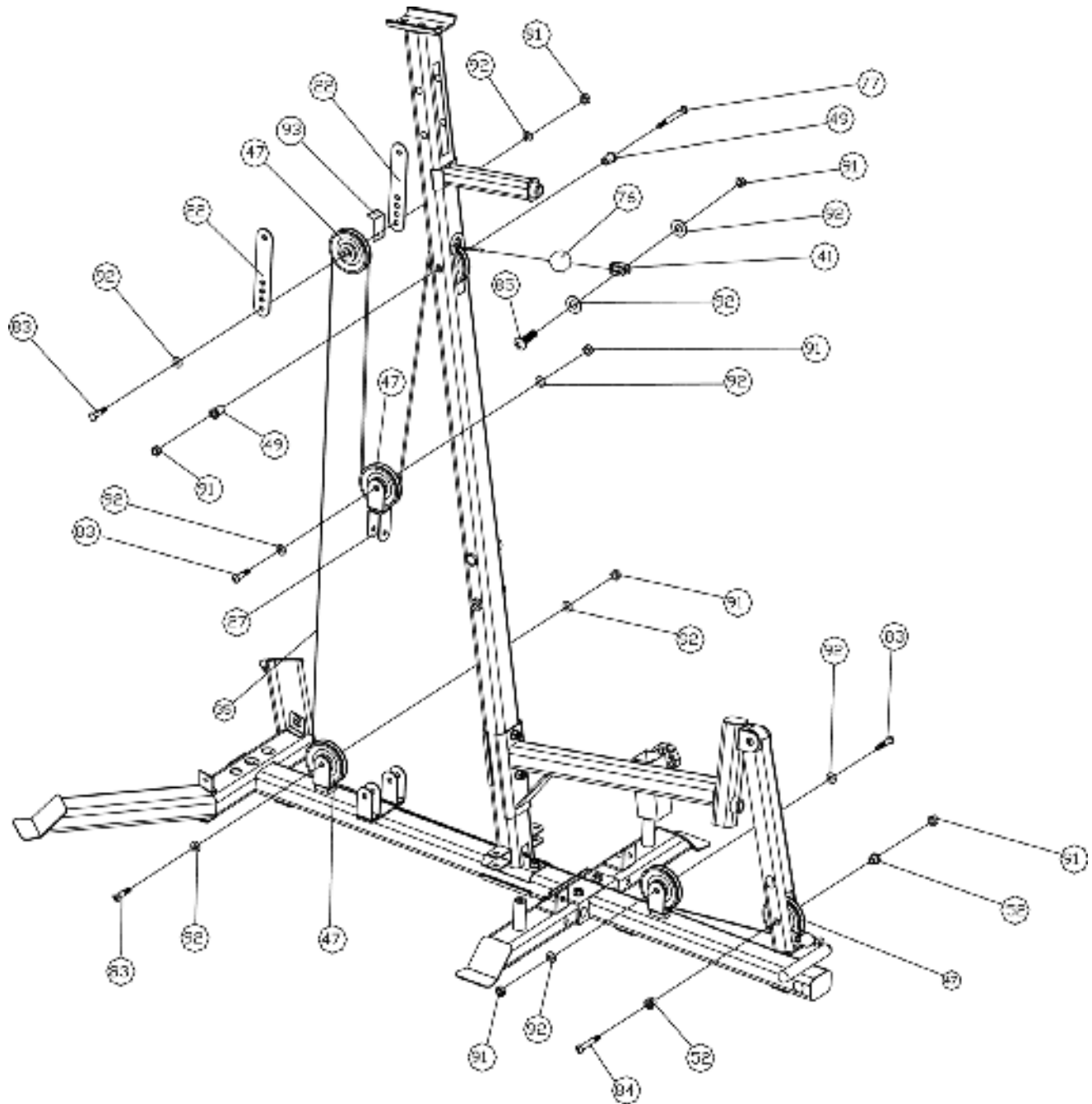
Upper Cable Loop Diagram



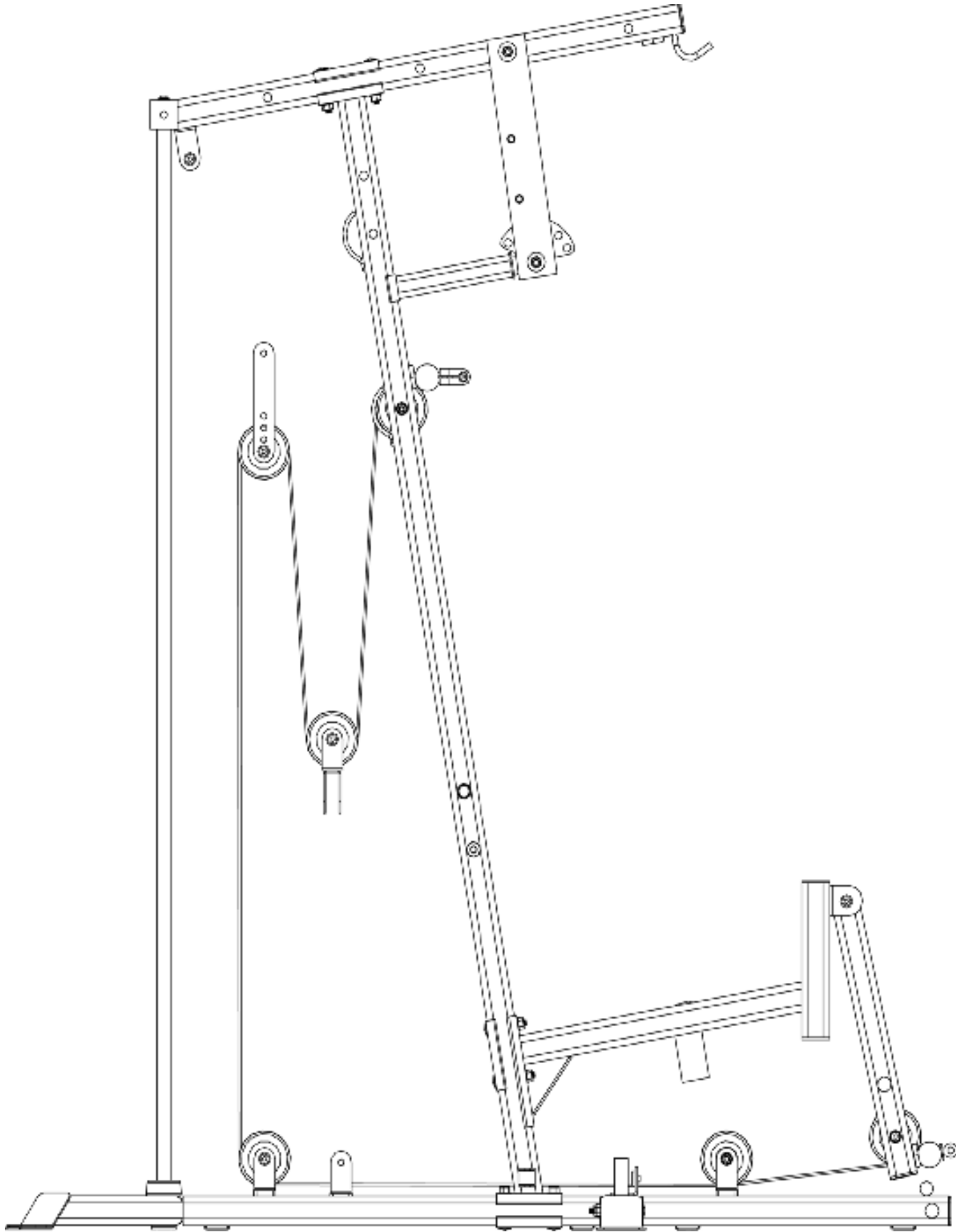
STEP 7 (See Diagram 7 & Lower Cable Loop Diagram)

- A.) Attach the 416cm Lower Cable (#35) to the opening on the Leg Developer (#8). Attach a Pulley (#47) to the opening. Secure it with one M10 x 2 1/2" Allen Bolt (#84), two Ø 7/8" Leg Developer Pulley Bushings (#52), and one M10 Aircraft Nut (#91).
- B.) Draw the Cable underneath the Pulley to the open bracket on the Front Base Frame (#12). Attach a Pulley to the bracket. Secure it with one M10 x 1 3/4" Allen Bolt (#83), two Ø 3/4" Washers (#92), and one M10 Aircraft Nut (#91).
- C.) Draw the Cable underneath the Pulley towards the back of the machine through the bottom opening on the Vertical Frame (#4) to the open bracket on the Rear Base Frame (#14).
- D.) Install a Pulley to the bracket with M10 x 1 3/4" Allen Bolt (#83), two Ø 3/4" Washers (#92), and one M10 Aircraft Nut.
- E.) Draw the Cable underneath the Pulley then pull upward to the Double Floating Pulley Bracket (#22) with previously installed in STEP-6. Repeat Procedure D above to install a Pulley together with a L-shape Cable Retainer (#93). After completing the entire cable system, come back to the Double Floating Pulley Bracket and adjust the height of the lower Pulley to adjust the tension of the Cables. Move up the hole to increase the tension. Move down the hole to decrease the tension.
- F.) Draw the Cable around the Pulley then downward. Attach the Cable to an Angled Double Floating Pulley Bracket (#27). Repeat Procedure D above to install a Pulley. Let the Bracket hanging for now.
- G.) Draw the Cable around the Pulley then upward to the opening on the Vertical Frame (#4). Attach a Pulley to the opening. Secure it with one M10 x 3 1/2" Allen Bolt (#77), two Pulley Bushings (#49), and one M10 Aircraft Nut (#91).
- H.) Insert the Cable through a Ball Stopper (#76). Attach the Cable to a U-shape Cable Connector (#41). Attach a Hook (#37) to the Connector. Secure the Connector and Hook with one M10 x 1 3/8" Allen Bolt (#85), two Ø 3/4" Washers (#92), and one M10 Aircraft Nut (#91).

DIAGRAM 7



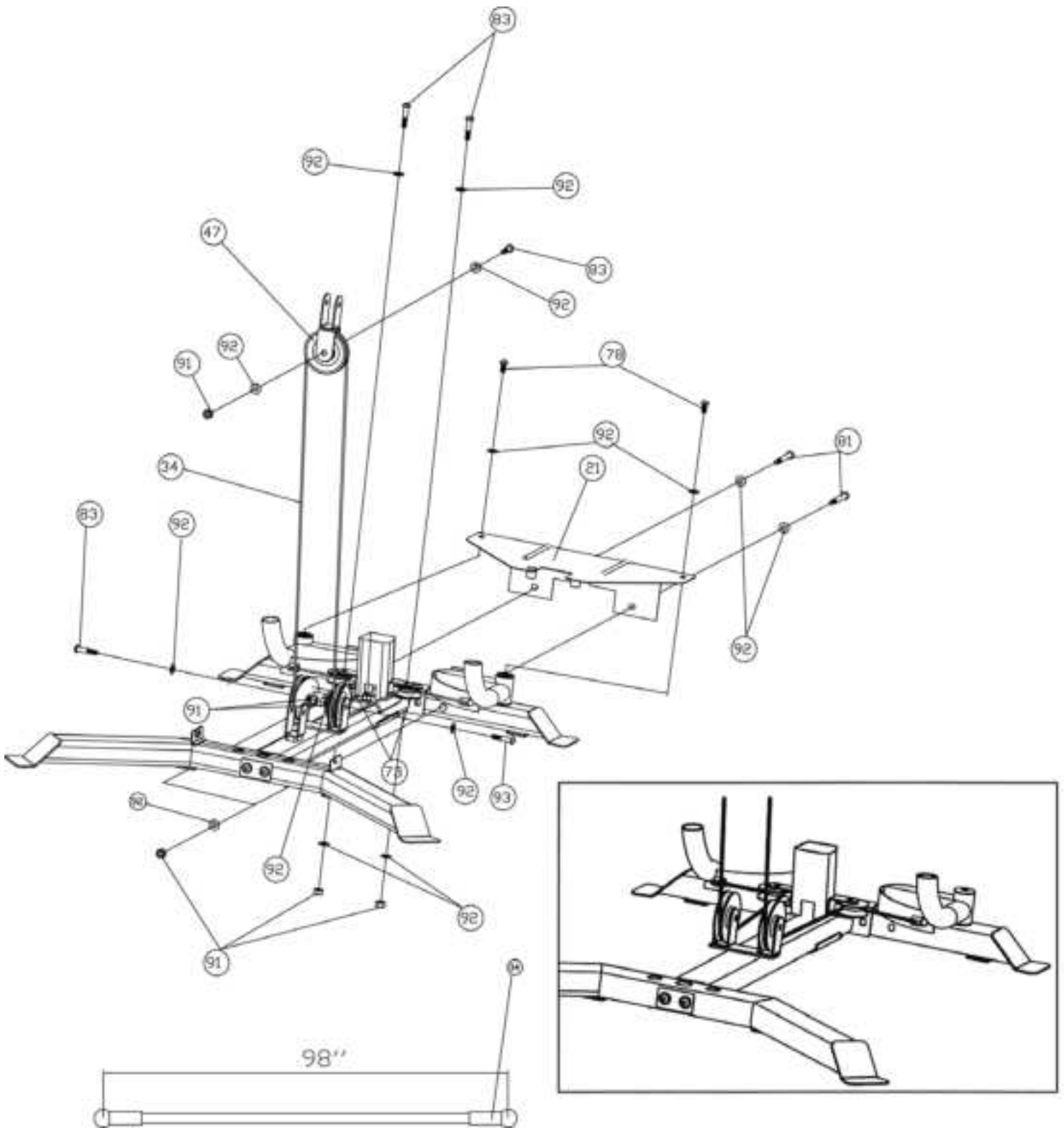
Lower Cable Loop Diagram



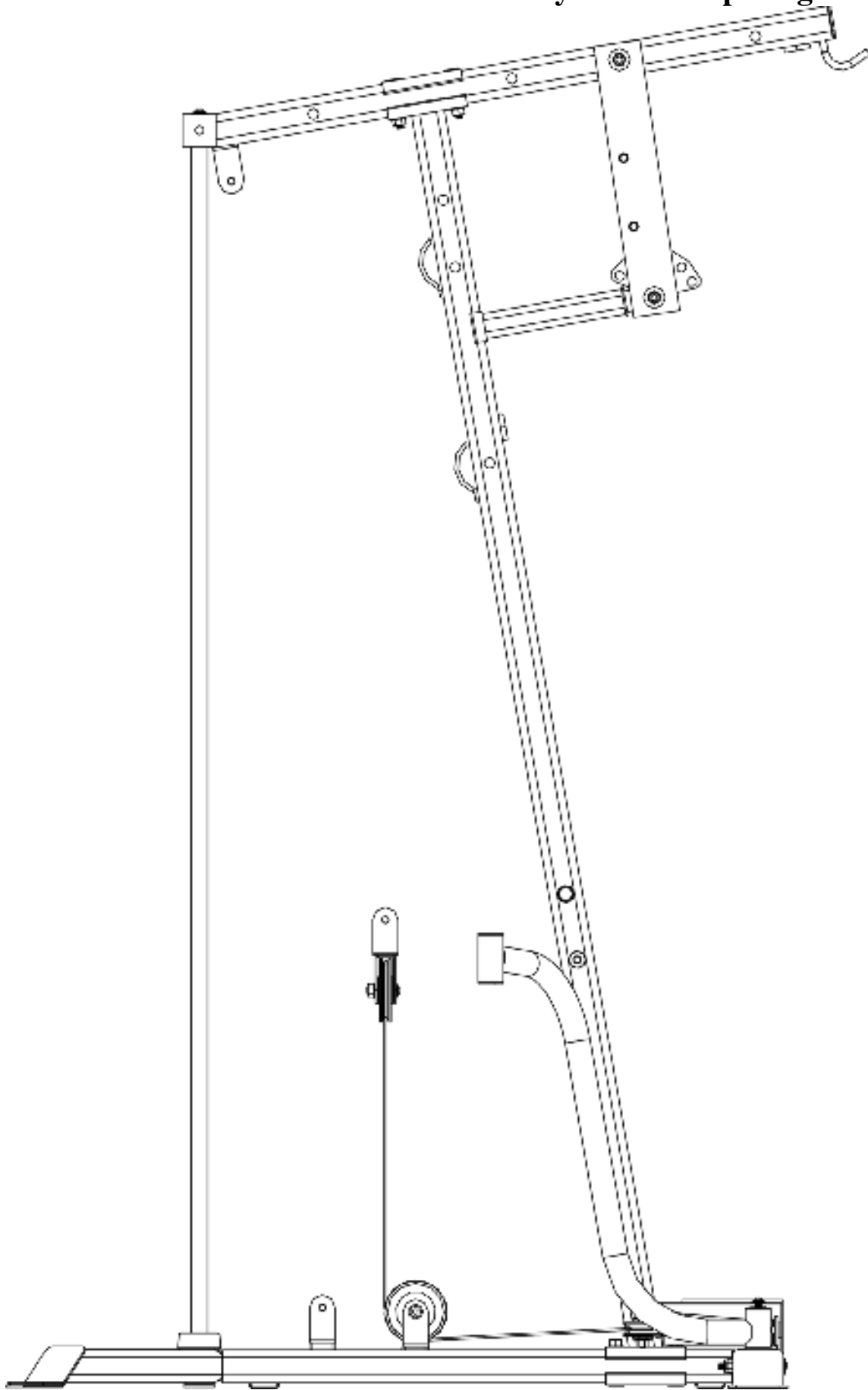
STEP 8 (See Diagram 8 & Butterfly Cable Loop Diagram)

- A.) Clip one end of the 249cm Butterfly Cable (#34) to the open slot on the Right Butterfly (#10).
- B.) Draw the Cable to the open bracket on the right side of the Vertical Frame (#4). Attach a Small Pulley (#73) to the bracket
- C.) Secure it with one M10 x 1 3/4" Allen Bolt (#83), two Ø 3/4" Washers (#92), and one M10 Aircraft Nut (#91).
- D.) Draw the Cable around the Small Pulley to the right open bracket on the Rear Base Frame (#14).
- E.) Attach a Pulley to the bracket. Secure it with M10 x 1 3/4" Allen Bolt (#83), two Ø 3/4" Washers (#92), and one M10 Aircraft Nut (#91).
- F.) Draw the Cable underneath the Pulley then upward to the Angled Double Floating Pulley Bracket (#27) previously installed in Step-7. Repeat Procedure E above to install a Pulley.
- G.) Draw the Cable around the Pulley then downward to the left open bracket on the Rear Base Frame. Repeat Procedure E above to install a Pulley.
- H.) Draw the Cable underneath the Pulley to the left open bracket on the Vertical Frame. Install a Small Pulley to the bracket.
- I.) Draw the Cable around the Small Pulley then attach the end the Cable to the open slot on the Left Butterfly.
- J.) Attach the Butterfly Base Cover (#21) to the Butterfly Base (#13) to cover the left and right pivot on the Butterfly Base. Secure the Cover to the Pivots with two M10 x 3/4" Allen Bolts (#83) and Ø 3/4" Washers (#92).
- K.) Align the holes and secure the Cover to the Butterfly Base with two M10 x 3 3/8" Allen Bolts (#81), four Ø 3/4" Washers (#92), and two M10 Aircraft Nut (#91).

DIAGRAM 8



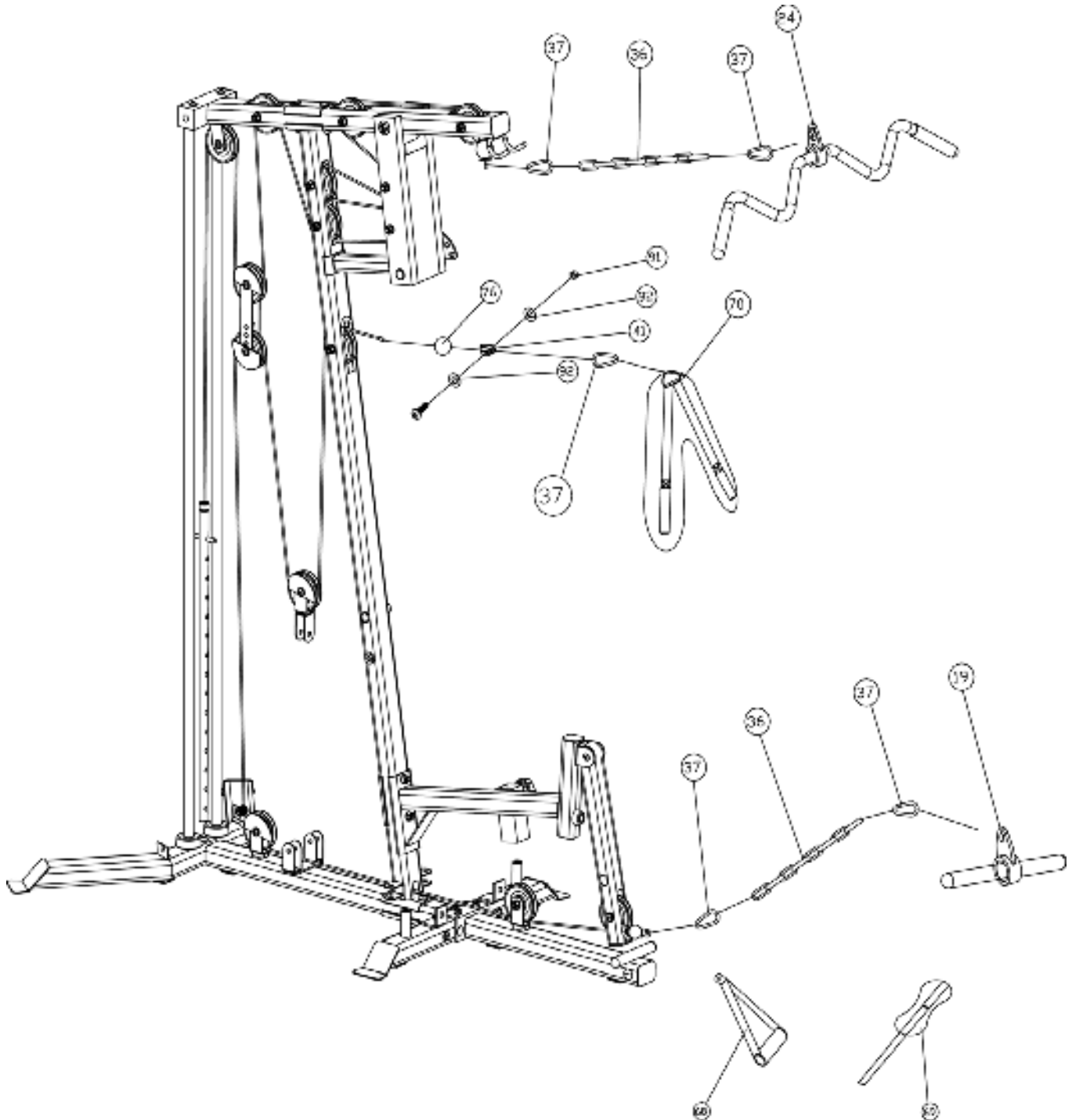
Butterfly Cable Loop Diagram



STEP 9 (See Diagram 9)

- A.) Connect the Lat Bar (#24) to the Upper Cable (#33) with two Hooks (#37) and one Chain (#36).
- B.) Connect the Abdominal Strap (#70) to the Lower Cable (#35) with a Hook.
- C.) Connect the Shiver Bar (#19) to the Lower Cable with two Hooks and a Chain. Replace Shiver Bar with Single Handle (#68) or Ankle Strap (#69) for various exercises.

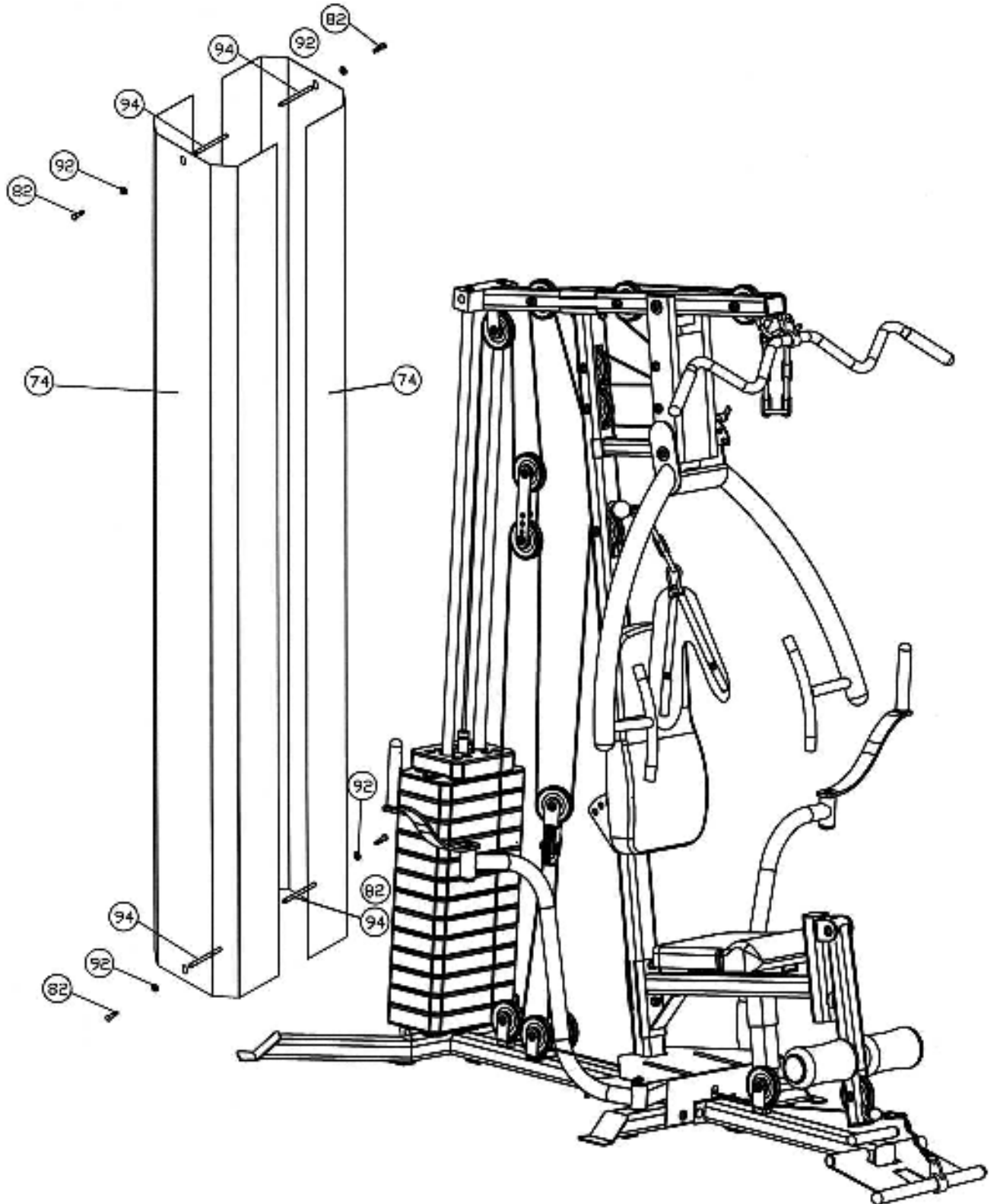
DIAGRAM 9



Step 10 (See Diagram 10)

- A.) Attach the two Weight Stack Covers (#74) with four 3" Sleeve (#94) to the Upper Frame (#1) and Rear Stabilizer (#15).
- B.) Secure them with four M10 x 3¾" Allen Bolts (#82) and four Ø ¾" Washers (#92).

DIAGRAM 10



WEIGHT RESISTANCE CHART HG5000

	WEIGHT PLATE								
Station	1	2	3	4	5	6	7	8	9
Low Pulley	12	19	26	34	41	48	56	63	70
Lat Pull	16	22	29	36	43	50	56	63	70
Butterfly	6	11	16	21	26	31	36	41	46
Front Press	11	20	28	37	45	54	63	71	80
AB Crunch	12	19	26	34	41	48	56	63	70
Leg Developer	14	21	29	37	45	52	60	68	76

	WEIGHT PLATE								
Station	10	11	12	13					
Low Pulley	77	85	92	99					
Lat Pull	77	84	91	97					
Butterfly	51	56	61	66					
Front Press	89	97	106	115					
AB Crunch	77	85	92	99					
Leg Developer	83	91	99	106					

***Numbers are approximate. Actual weight may vary.**

***Value for butterfly is for each arm. Values are shown in kgs**

PARTS LIST

KEY NO.	DESCRIPTION	Q'ty			
1	Upper Frame	1	51	Ø 1 ¼" Front Press Bushing	2
2	Front Press Base	1	52	Ø 7/8" Leg Developer Bushing	2
3	Front Press	1	53	Ø 1" Bushing	8
4	Vertical Frame	1	54	Ø 1" Spacer	2
5	Backrest Support Frame	1	55	Rubber Bumper	2
6	Seat Post	1	56	Ø 1 ½" Spacer	2
7	Seat Support Frame	1	57	Ø 1" Rubber Bumper	2
8	Leg Developer	1	58	Ø 1" x 5/8" Rubber Bumper	2
9	Butterfly Handle	2	59	Ø 1 ¼" Washer	6
10	Right Butterfly	1	60	Ø 1" Cone-shaped End Cap	4
11	Left Butterfly	1	61	Foam Roll End Cap	2
12	Front Base Frame	1	62	Leg Developer End Cap	2
13	Butterfly Base	1	63	2" x 1" End Cap	4
14	Rear Base Frame	1	64	Ø 1" End Cap	1
15	Rear Stabilizer	1	65	Handle Sleeve	2
16	Guide Rod	2	66	2" x 2 ¾" Upper Frame End Cap	2
17	Foot Plate	1	67	2" x 2" End Cap	3
18	13" Foot Plate Axle	1	68	Single Handle	1
19	Shiver Bar	1	69	Ankle Strap	1
20	Shiver Bar Handle	1	70	Abdominal Strap	1
21	Butterfly Base Cover	1	71	1" x 2 ¾" End Cap	4
22	Double Floating Pulley Bracket	2	72	Leg Developer Axle	1
23	Foam Tube	1	73	Small Pulley	2
24	Lat Bar	1	74	Weight Stack Cover	2
25	4 ¾" x 2 ¾" Bracket	3	75	Ø 2" End Cap	2
26	1 5/8" x 1 ½" Bracket	1	76	Ball Stopper	1
27	Angled Double Floating Pulley Bracket	1	77	M10 x 3 ½" Allen Bolt	6
28	Selector Rod	1	78	M10 x ¾" Allen Bolt	12
29	6 ¾" Front Press Base Axle	1	79	M10 x 6 ¼" Allen Bolt	2
30	7 ½" Front Press Axle	1	80	M10 x 4 3/8" Allen Bolt	1
31	Backrest Board	1	81	M10 x 3 3/8" Allen Bolt	2
32	Seat	1	82	M10 x 3 ¾" Allen Bolt	6
33	165" Upper Cable	1	83	M10 x 1 ¾" Allen Bolt	11
34	98" Butterfly Cable	1	84	M10 x 2 ½" Allen Bolt	1
35	164" Lower Cable	1	85	M10 x 1 3/8" Allen Bolt	1
36	Chain	2	86	M8 x 1 5/8" Allen Bolt	4
37	Hook	5	87	M6 x 5/8" Screw	2
38	Long T-shaped Lock Pin	1	88	Ø 5/8" Washer	4
39	T-shaped Lock Pin	1	89	M10 x 3 ¾" Carriage Bolt	2
40	Lock Knob	1	90	M10 x 2 ¾" Carriage Bolt	8
41	U-shaped Cable Connector	1	91	M10 Aircraft Nut	38
42	Weight Plate Selector Pin	1	92	Ø ¾" Washer	60
43	5 3/8" Grip	6	93	L-shape Cable Retainer	2
44	6" Grip	4	94	3" sleeve	4
45	Weight Plate	13			
46	Weight Selector Stem	1			
47	Pulley	18			
48	Foam Roll	2			
49	Pulley Bushing	12			
50	Ø 1 ½" Bushing	8			

LIMITED WARRANTY

Pure-Tec. warrants this product to be free from defects in workmanship and material, under normal use and service conditions. Please refer to www.puretecfitness.com for warranty conditions. This warranty extends only to the original purchaser and is **valid for home use only**. Pure-Tec's obligation under this Warranty is limited to replacing damaged or faulty parts at Pure-Tec's option.

All returns must be pre-authorized by Pure-Tec. **This warranty does not extend to any product or damage to a product caused by or attributable to freight damage, abuse, misuse, improper or abnormal usage, purchasers own repairs or for products used for commercial or rental purposes.** No other warranty beyond that specifically set forth above is authorized by Pure-Tec.

Pure-Tec is not responsible or liable for indirect, special or consequential damages arising out of or in connection with the use or performance of the product or other damages with respect to any economic loss, loss of property, loss of revenues or profits, loss of enjoyments or use, costs of removal, installation or other consequential damages or whatsoever natures.

The warranty extended hereunder is in lieu of any and all other warranties and any implied warranties of merchantability or fitness for a particular purpose is limited in its scope and duration to the terms set forth herein.

Your statutory rights are not affected.

ORDERING REPLACEMENT PARTS

Replacement parts can be ordered by contacting our Customer Solutions Department,

<p style="text-align: center;">Pure-Tec Limited www.puretecfitness.com Email: service@puretecfitness.com</p>

When ordering replacement parts, please give the following information,

- Model
- Description of Parts
- Part Number
- Date of Purchase