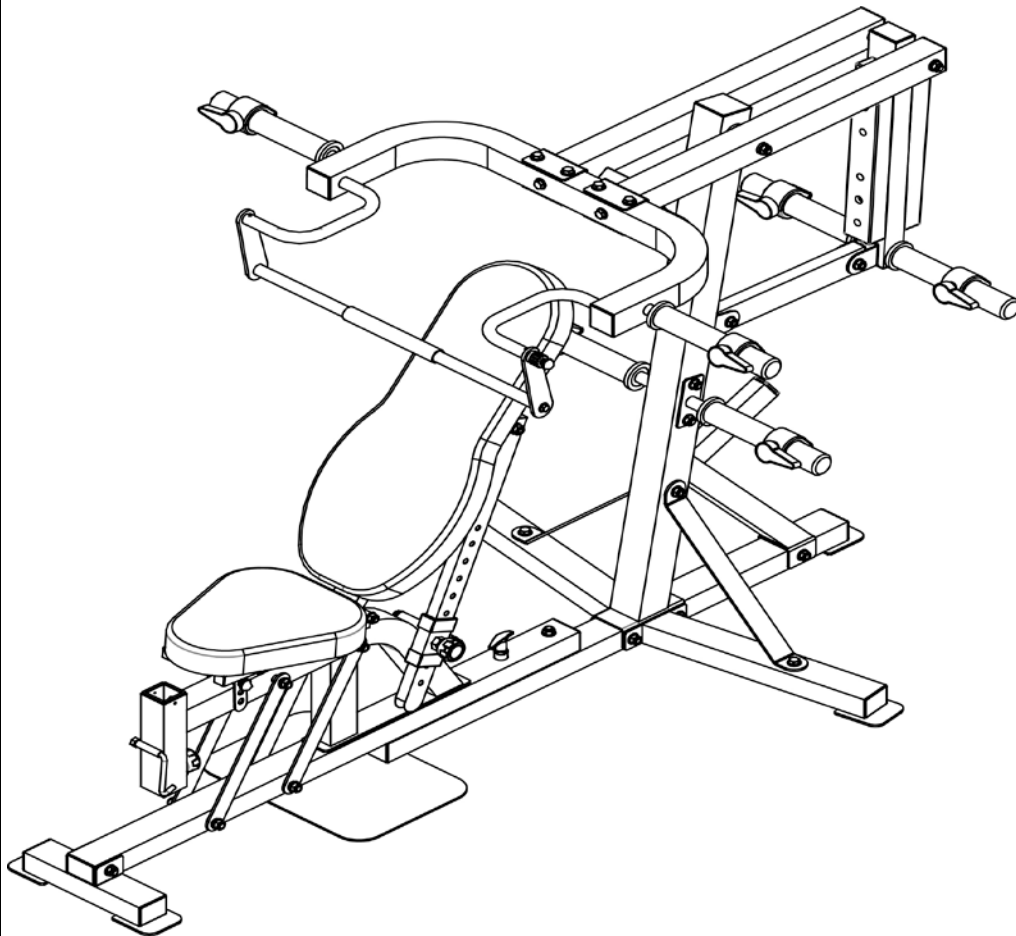




MARCY[®]

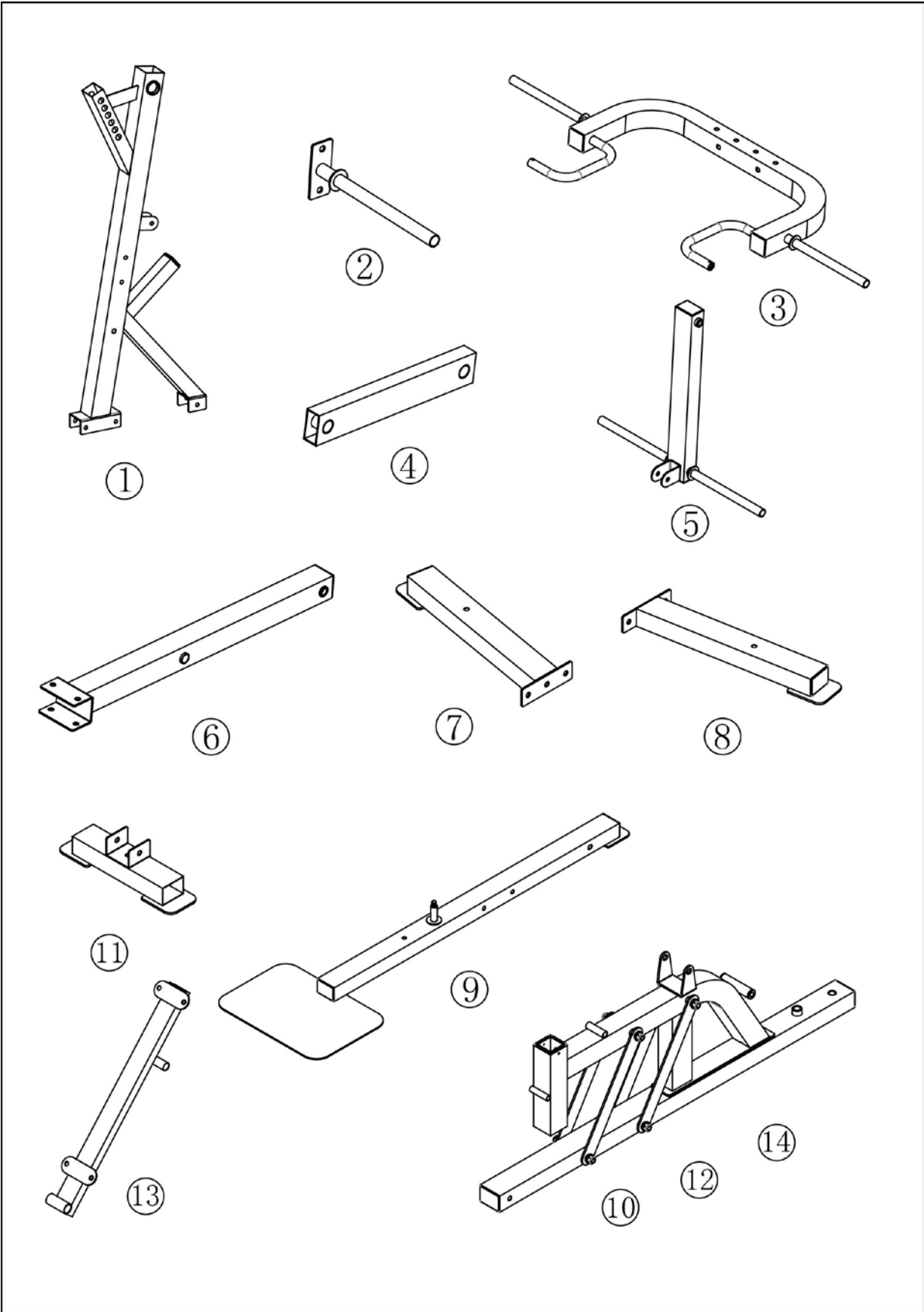
**MARCY PRO
Compact Gym
PM-4400**

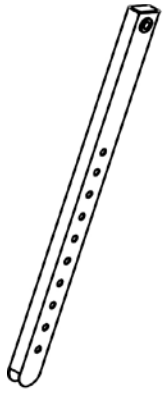


Important: Please read the Important Assembly Information

product.

01092016

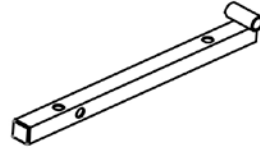




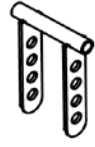
15



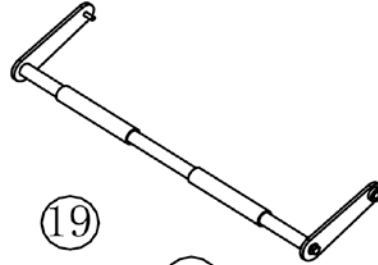
16



17



18

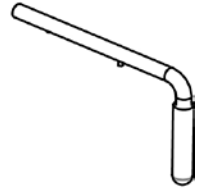


19

20



21



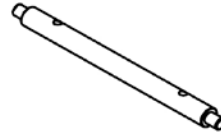
22



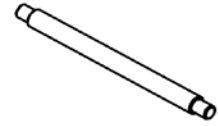
23



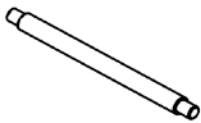
24



25



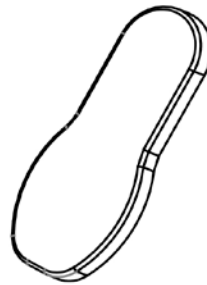
26



27



28



29



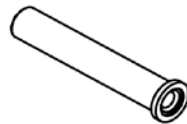
30



32



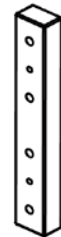
33



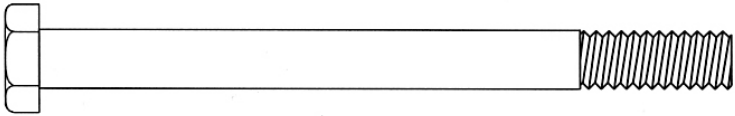
42



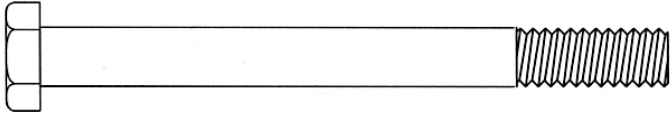
43



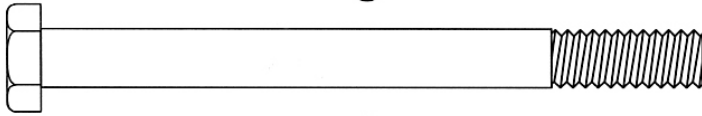
77



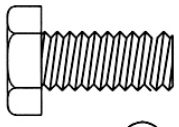
49



50



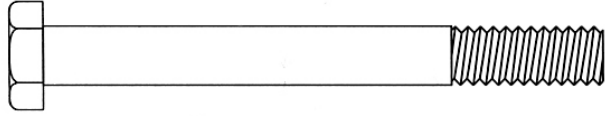
51



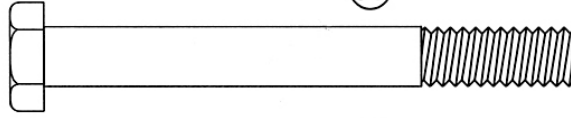
52



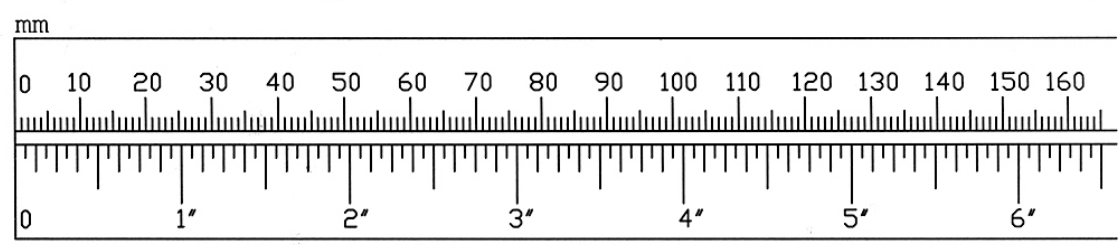
53

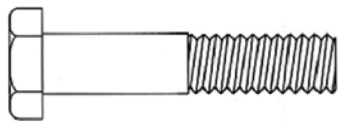


54



55

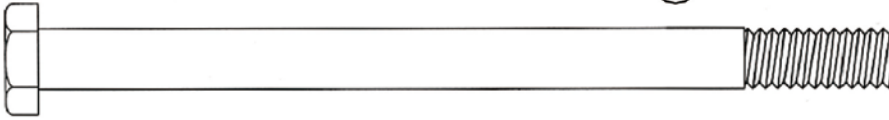




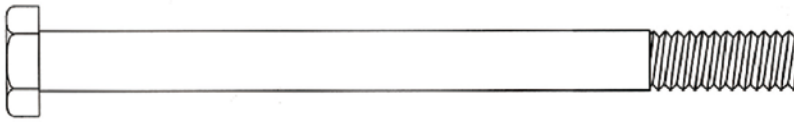
56



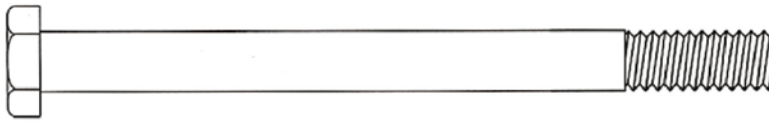
76



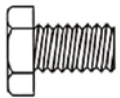
57



58



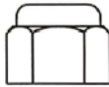
59



60



65



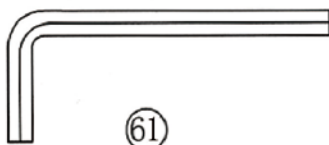
66



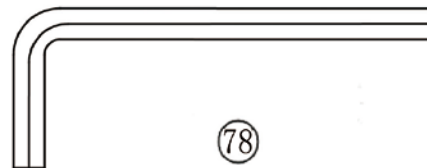
67



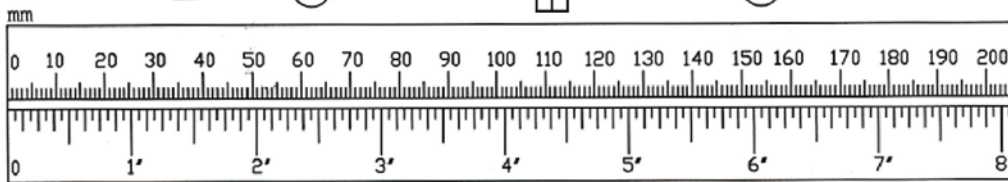
68



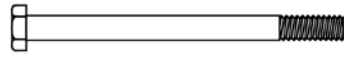
61



78



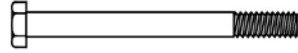
④9



2

M12X4 1/8"

⑤0



1

M12X3 3/4"

⑥6



3

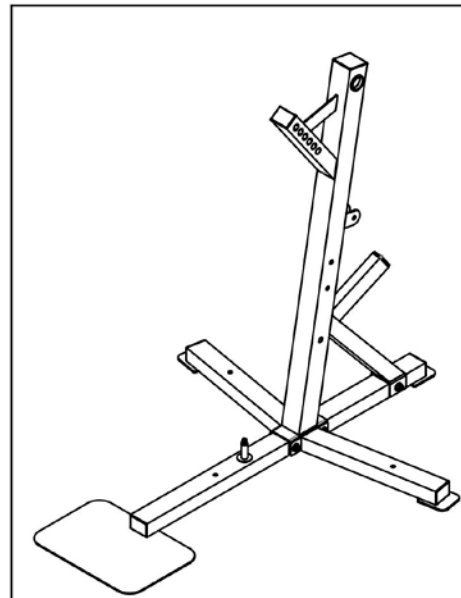
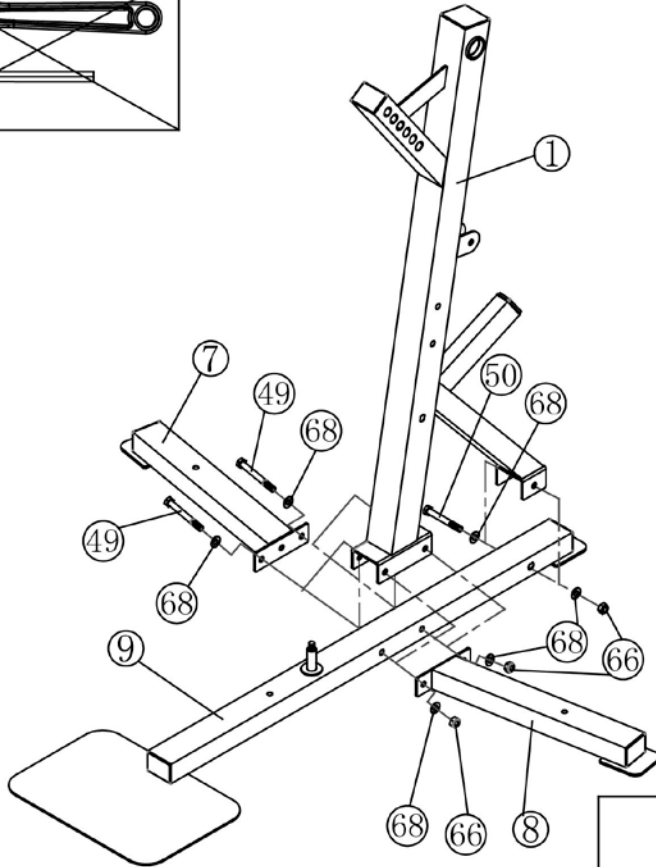
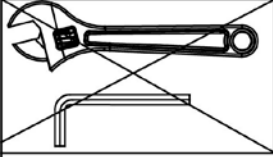
M12

⑥8



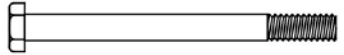
6

Ø1"



1

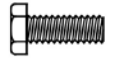
51



1

M12X4"

52



2

M12X $\frac{3}{4}$ "

66



1

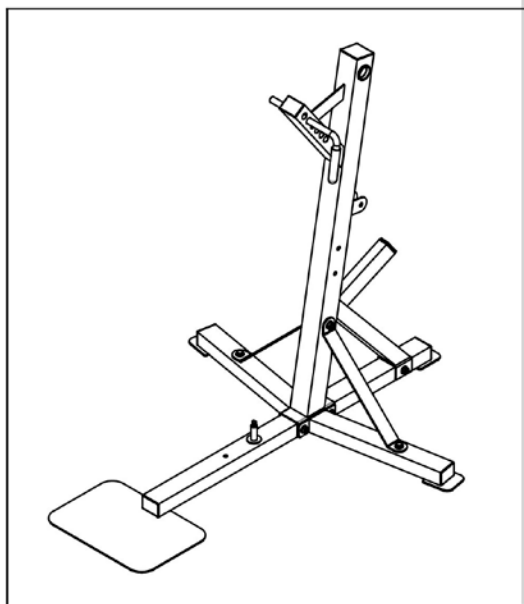
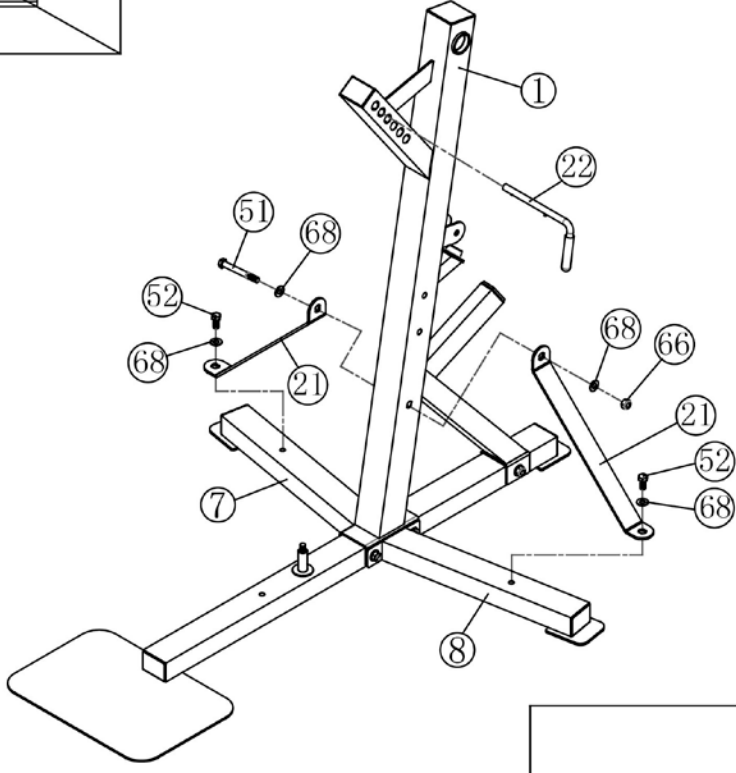
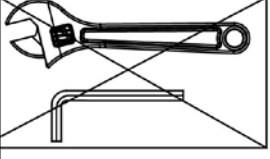
M12

68



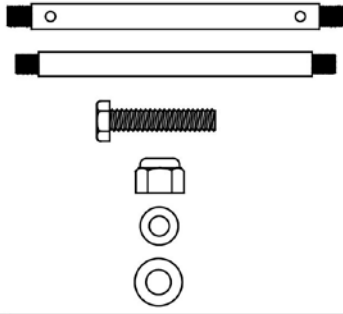
4

Ø1"

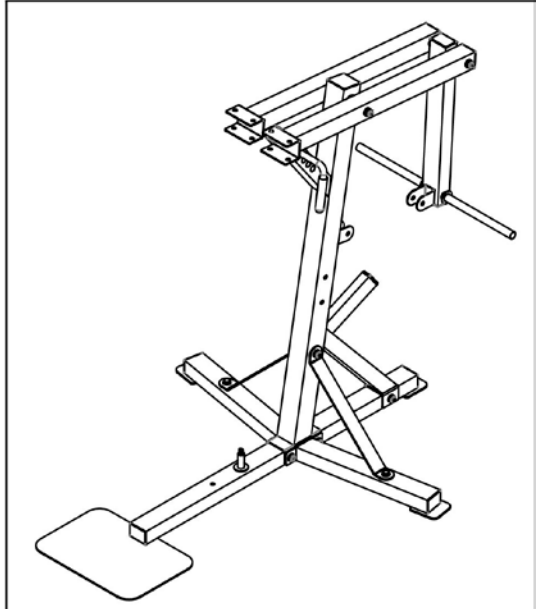
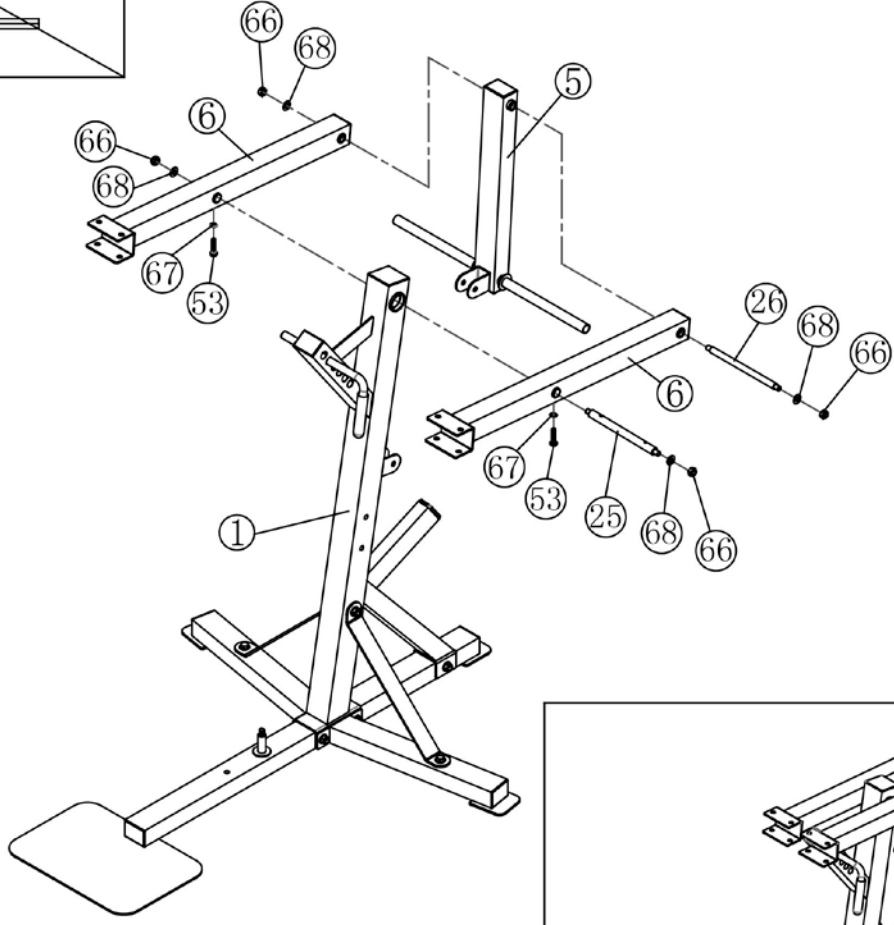
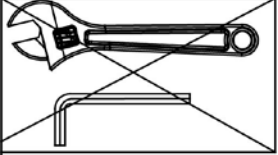


2

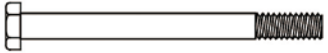
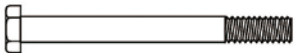


- 25
- 26
- 53
- 66
- 67
- 68

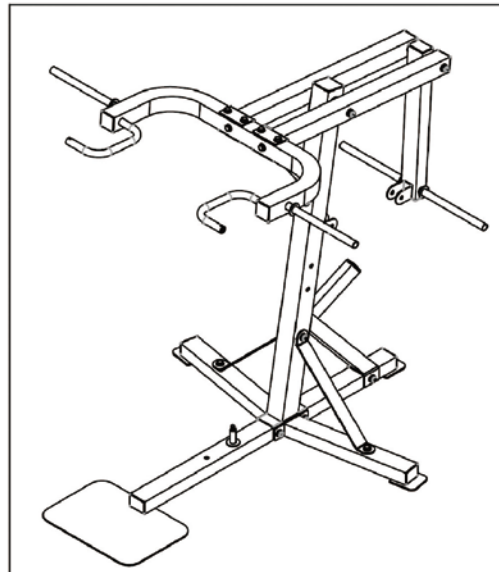
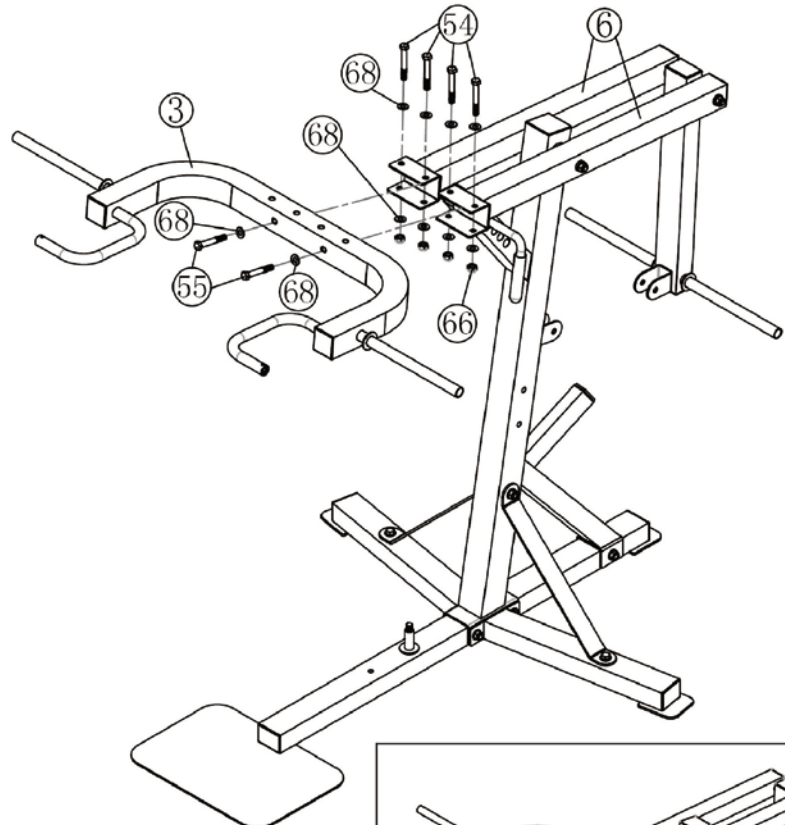
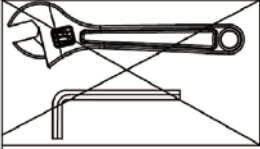


- 1 M12X $\varnothing\frac{3}{4}$ "X10 $\frac{1}{4}$ "
- 1 M12X $\varnothing\frac{5}{8}$ "X10 $\frac{1}{8}$ "
- 2 M10X1 $\frac{5}{8}$ "
- 4 M12
- 2 $\varnothing\frac{3}{4}$ "
- 4 $\varnothing 1$ "



3

⑤④		4	M12X3 $\frac{3}{8}$ "
⑤⑤		2	M12X3 $\frac{1}{8}$ "
⑥⑥		4	M12
⑥⑧		10	Ø1"



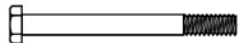
4

33



1

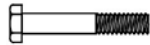
51



2

M12X4"

56



2

M12X2 3/8"

66



4

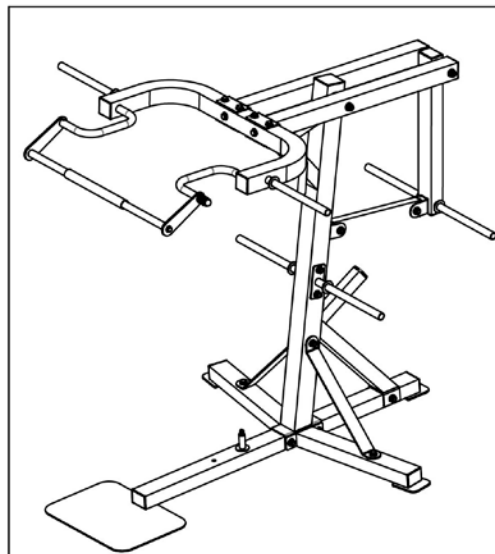
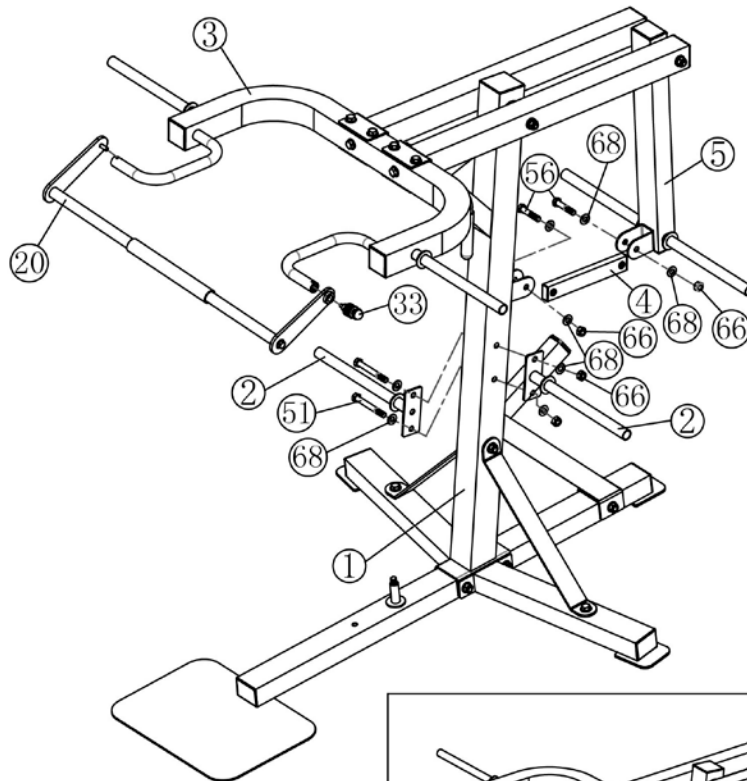
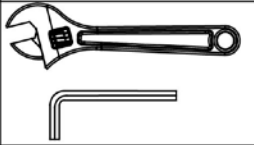
M12

68



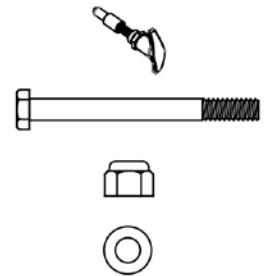
8

Ø1"

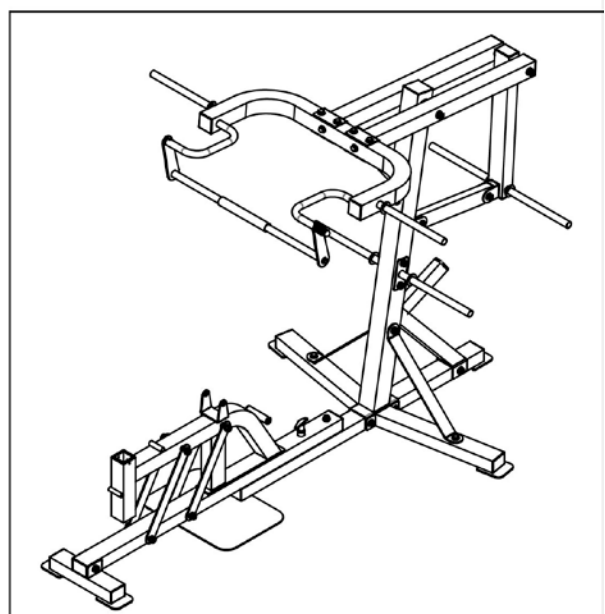
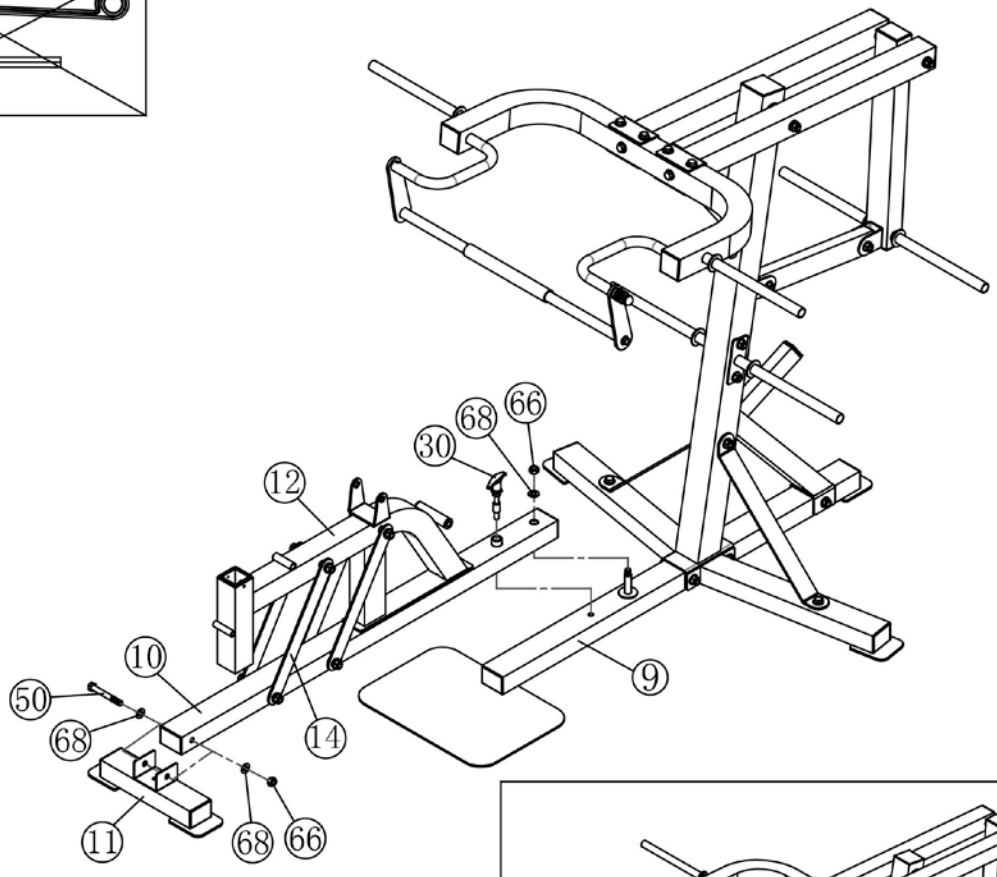
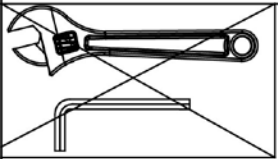


5

- ③①
- ⑤①
- ⑥⑥
- ⑥⑧



- 1
- 1 M12X3 $\frac{3}{4}$ "
- 2 M12
- 3 $\varnothing 1$ "



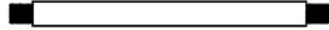
6

23



1

27



1

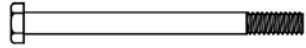
M12XØ $\frac{5}{8}$ "X8 $\frac{1}{4}$ "

32



1

57



1

M12X6 $\frac{3}{4}$ "

65



1

M10

66



3

M12

67



1

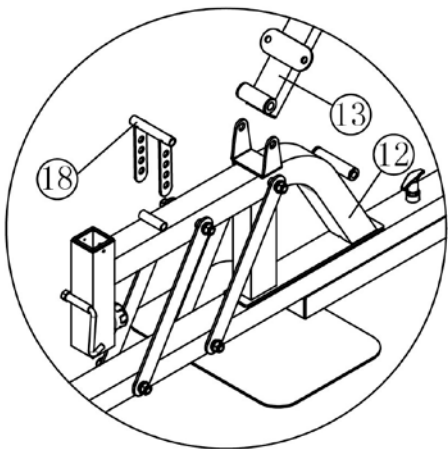
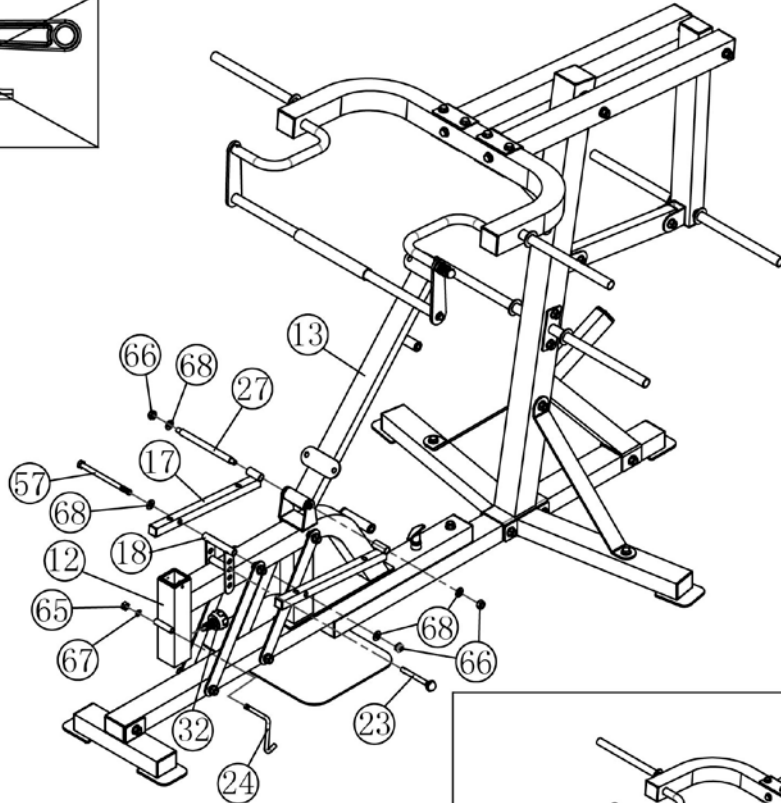
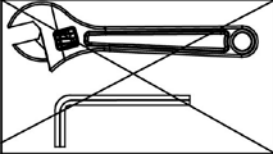
Ø $\frac{3}{4}$ "

68

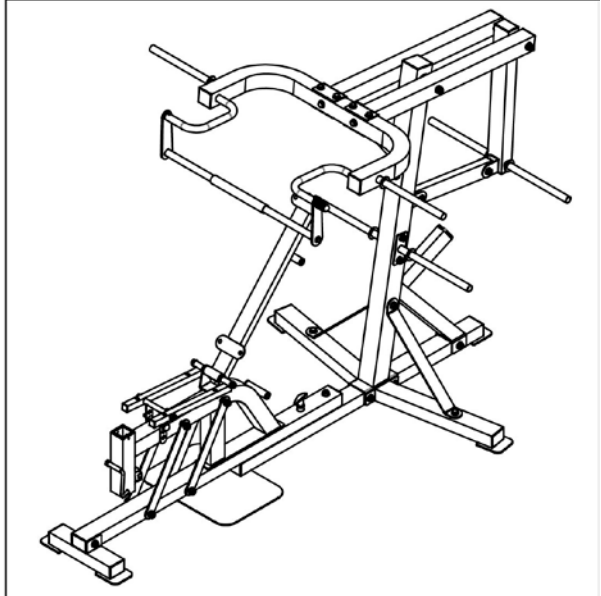


4

Ø1"



7

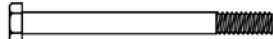


32



1

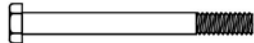
58



1

M12X6 1/8"

59



1

M12X6"

66



2

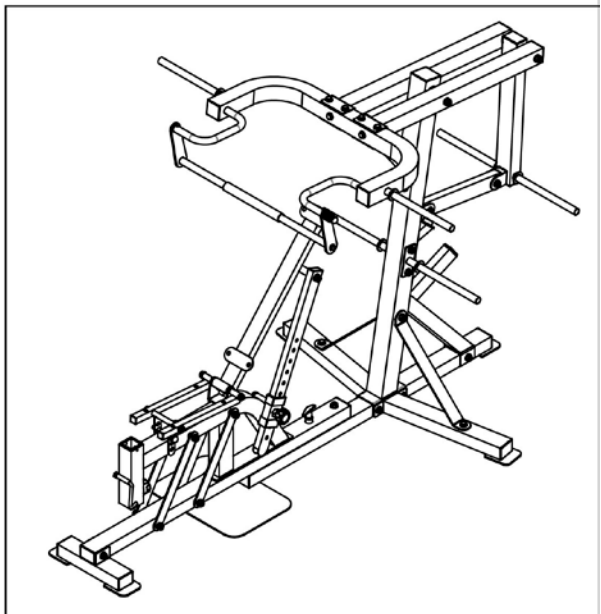
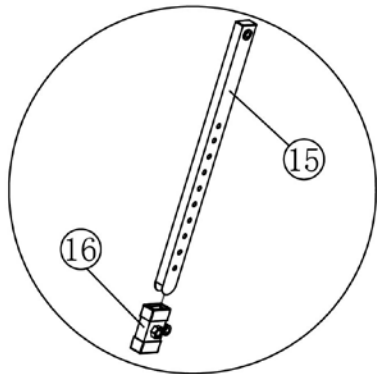
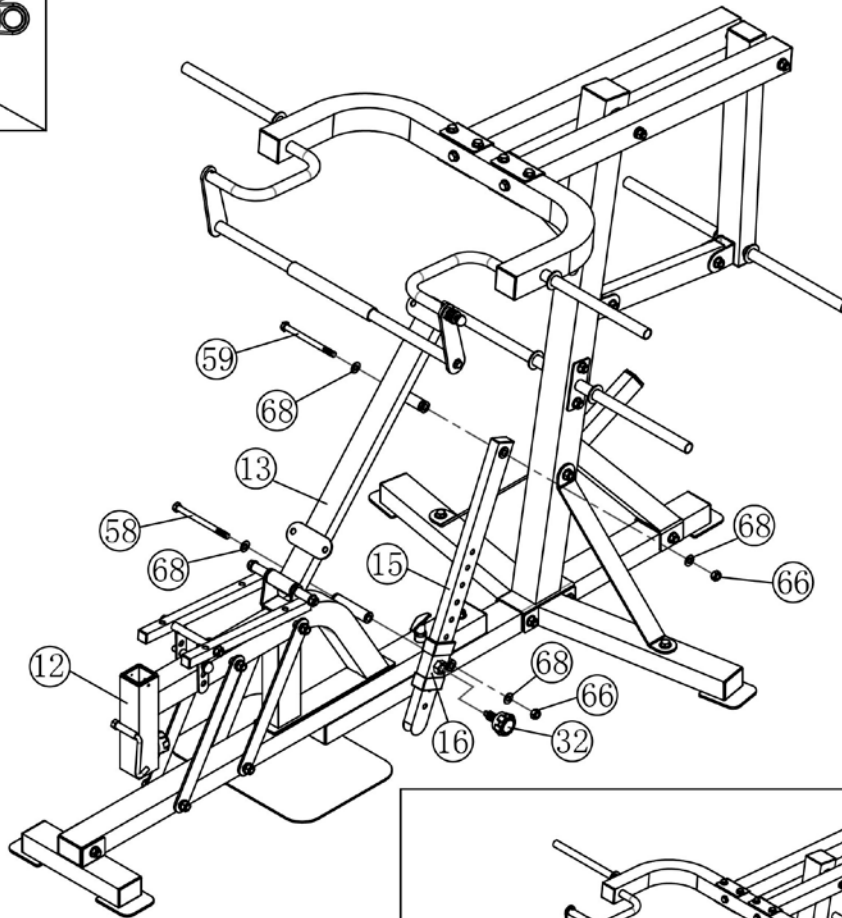
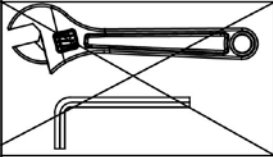
M12

68



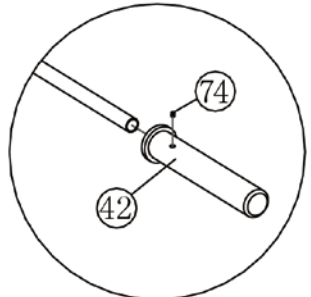
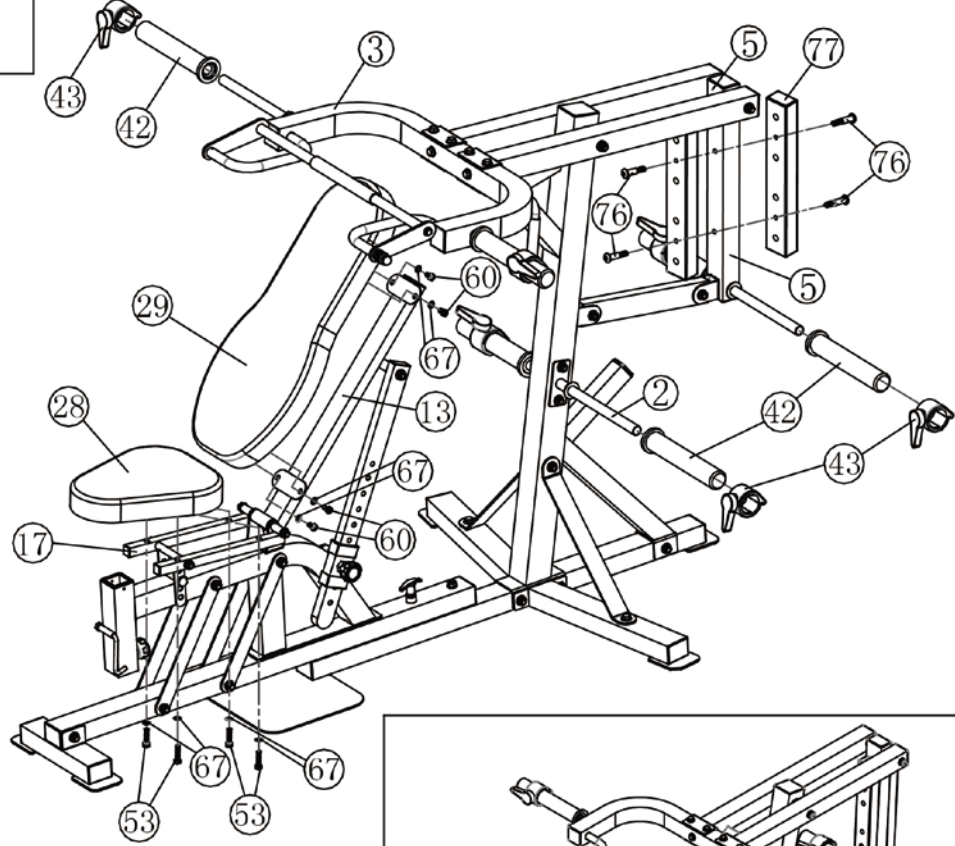
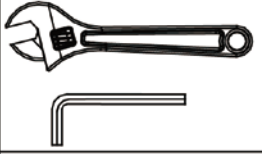
4

Ø1"

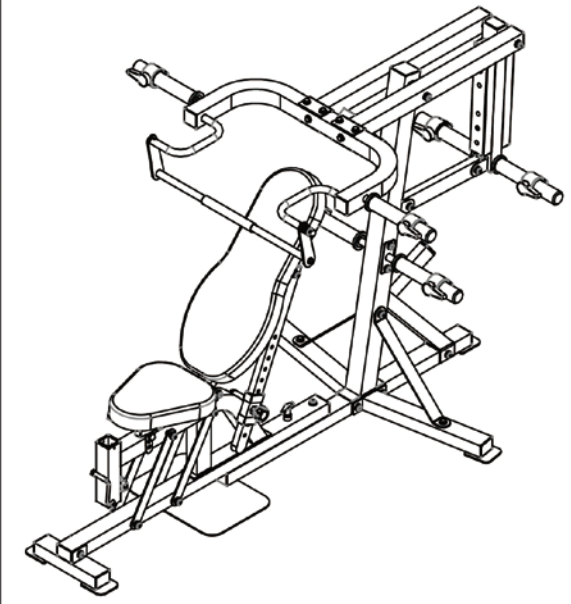


8

⑤③		4	M12X1 $\frac{5}{8}$ "
⑥⑦		4	M12X $\frac{5}{8}$ "
⑥⑦		8	$\Phi \frac{3}{4}$ "
⑦⑥		4	M10X2 $\frac{3}{8}$ "



9



Pure-Tec Limited
www.puretecfitness.com
Tel: +44 (0) 1482 212098
Email: service@puretecfitness.com
Monday - Friday 0900 – 1700 GMT