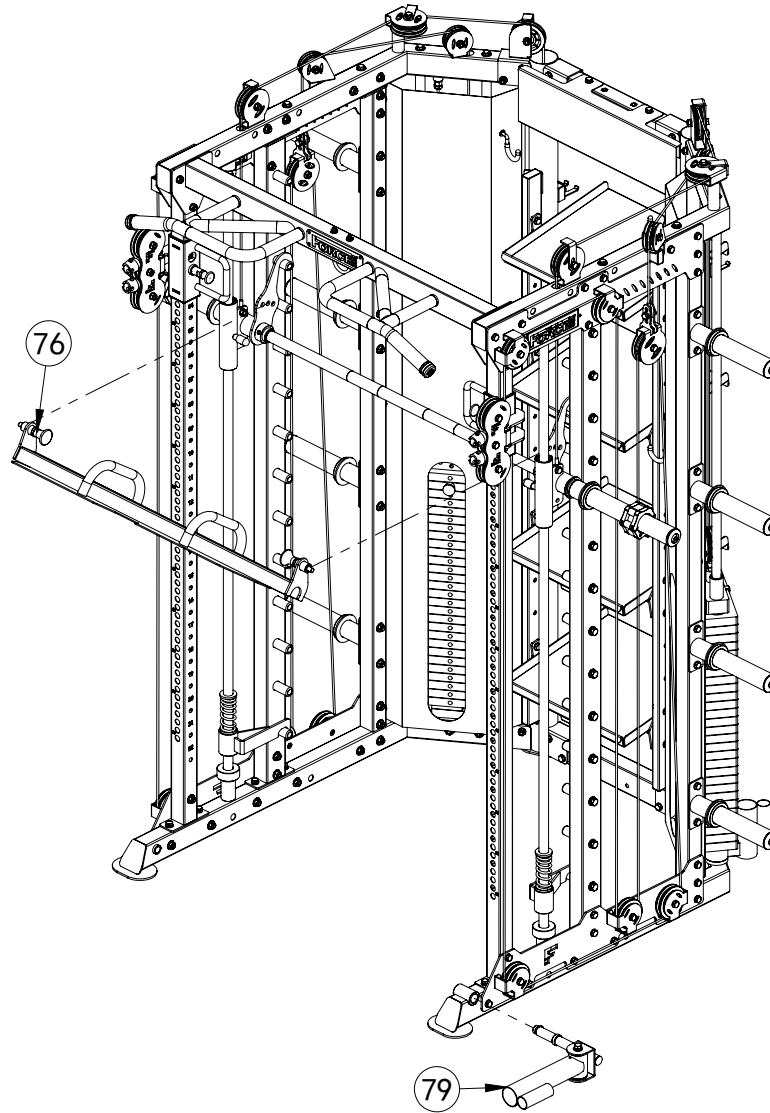
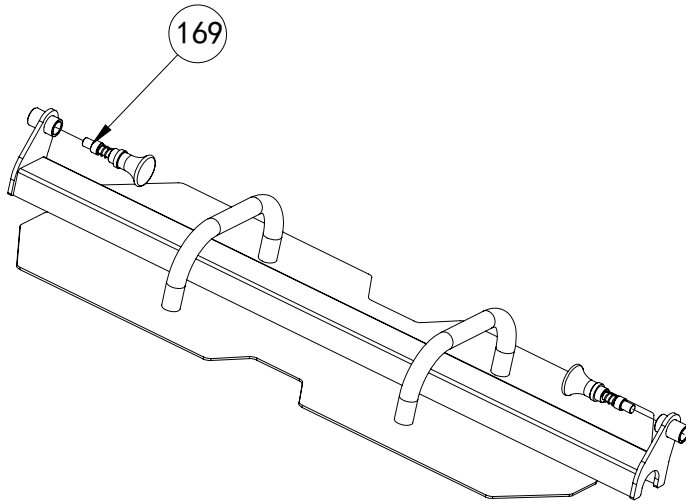


# UPGRADE KIT DRAWING



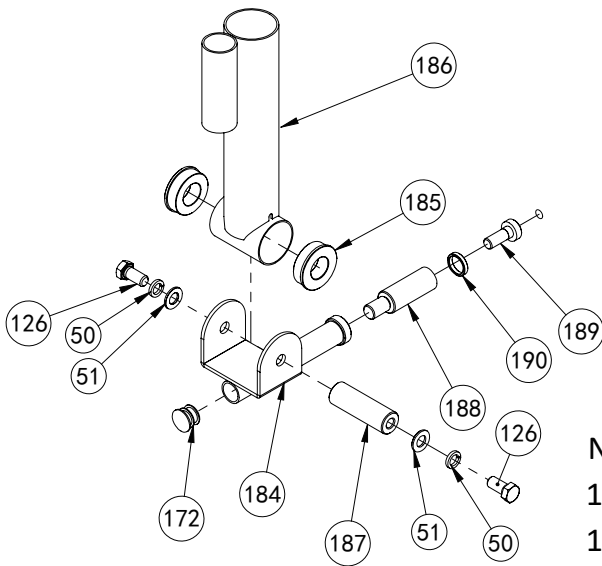
No.	Description	Note	Qty.
76	leg press plate		1
79	spinning barbell rod cup		1

# UPGRADE KIT DRAWING



leg press plate  
1pcs/set

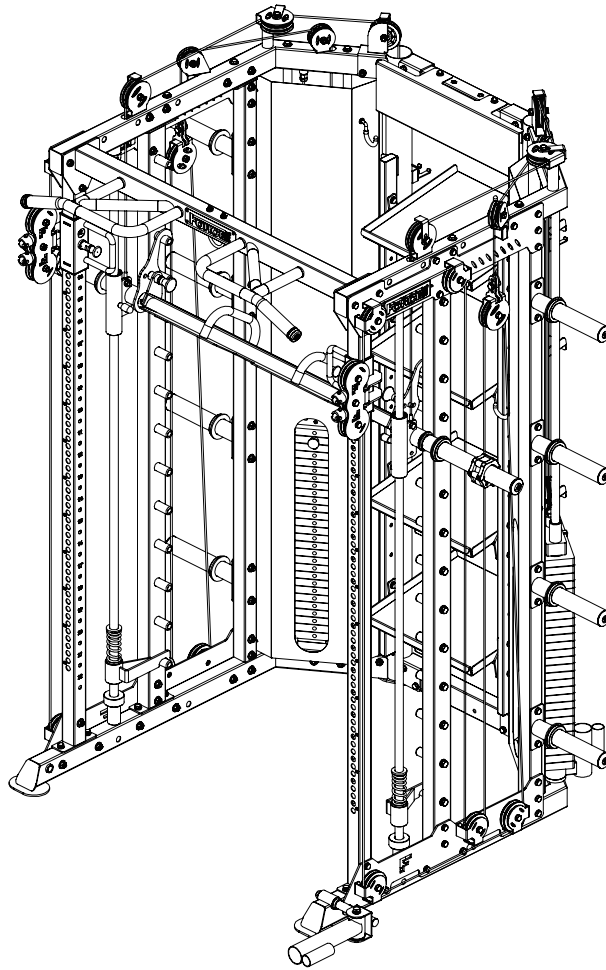
No.	Description	Note	Qty.
169	pin	Φ12xM20x40	2



spinning barbell rod cup  
1pcs/set

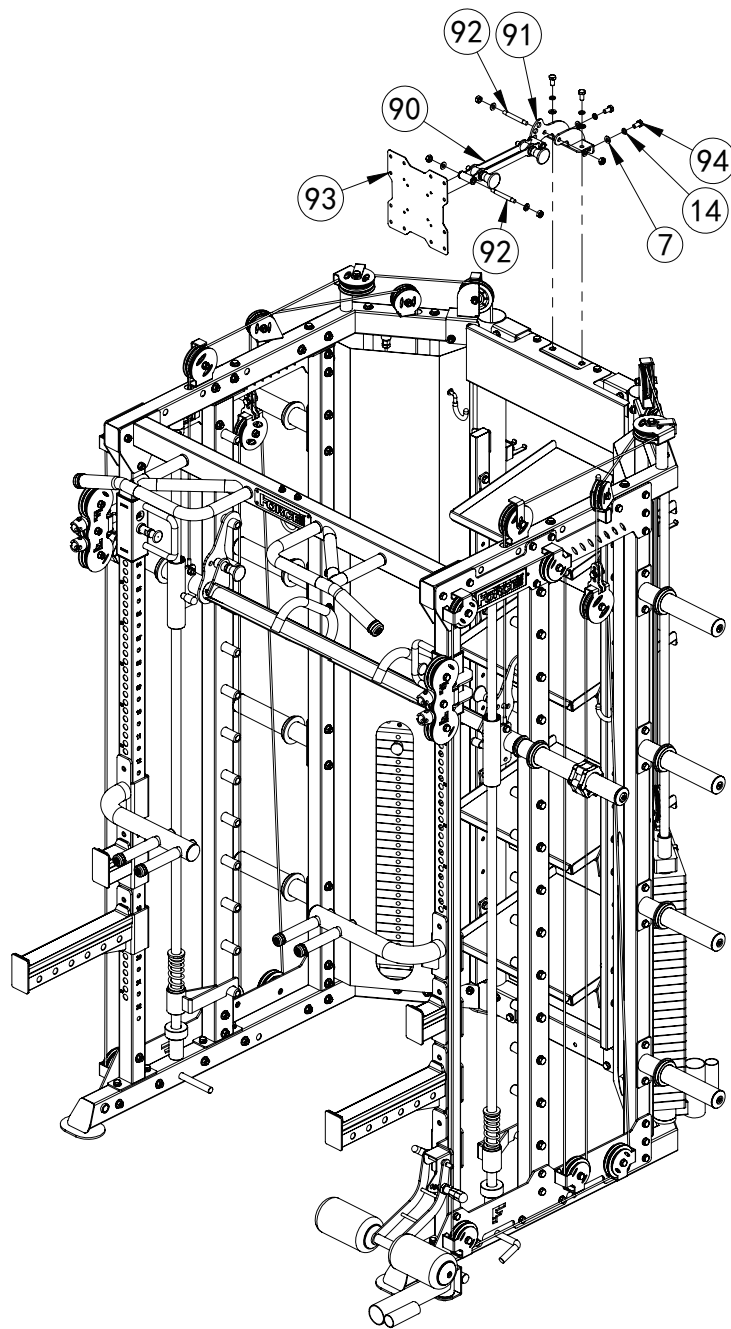
No.	Description	Note	Qty.
184	link part		1
185	sleeve	Φ50xΦ47xΦ25x15	2
126	hexagon bolt	M12x25	2
172	plug	Φ25x2	1
51	washer	Φ12	2
186	barbell rod cup		1
187	internal thread shaft	Φ25x77xM12	1
188	tube	Φ25x86	1
189	shaft	Φ22x39.5	1
190	ring	Φ25xΦ20x5	1
50	spring washer	Φ12	2

# UPGRADE KIT DRAWING



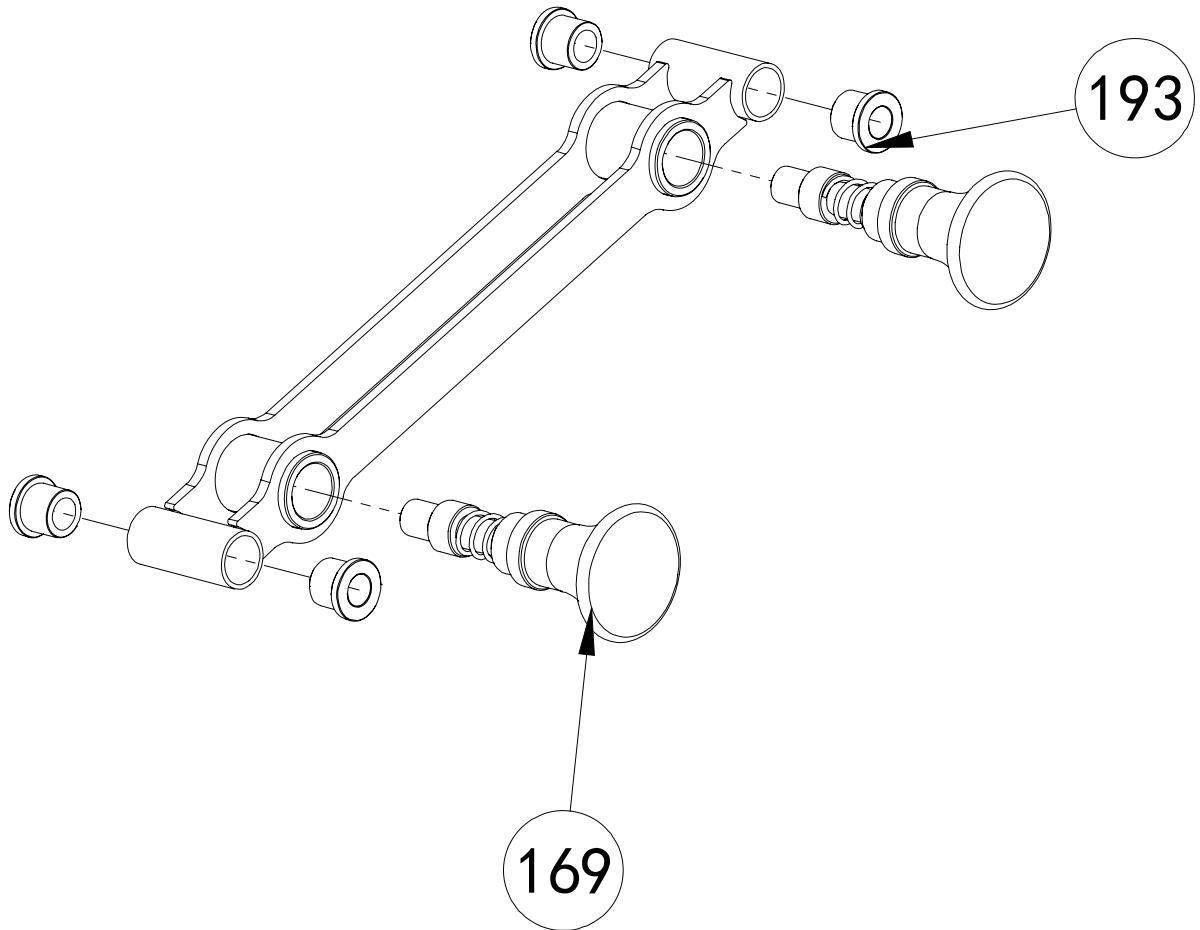
1 Put leg press plate-76,spinning barbell rod cup-79 on the mainframe

# UPGRADE KIT DRAWING



No.	Description	Note	Qty.
14	spring washer	Φ10	6
7	washer	Φ10	10
90	link frame		1
91	selector frame		1
92	shaft	Φ10x85xM10	2
6	lock nut	M10	4
93	TV bracket		1
94	hexagon bolt	M10x20	4

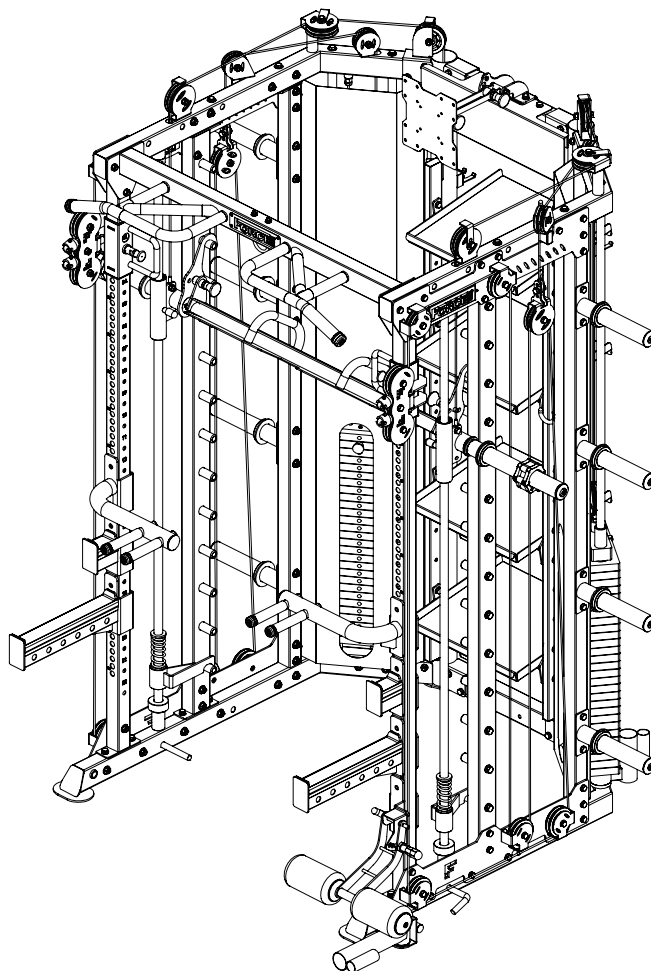
# UPGRADE KIT DRAWING



link frame  
1pcs/set

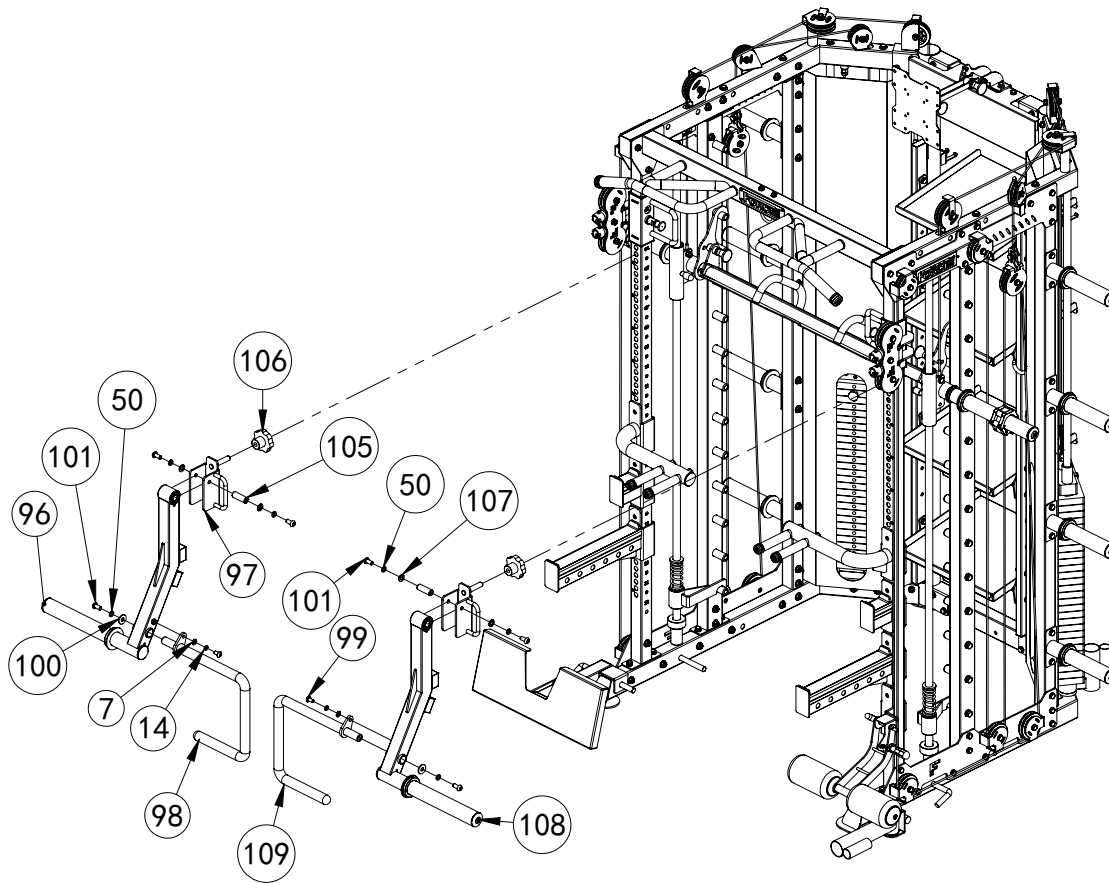
No.	Description	Note	Qty.
193	sleeve	$\Phi 20 \times \Phi 16 \times \Phi 10.5 \times 15$	4
169	pin	$\Phi 12 \times M20 \times 40$	2

# UPGRADE KIT DRAWING



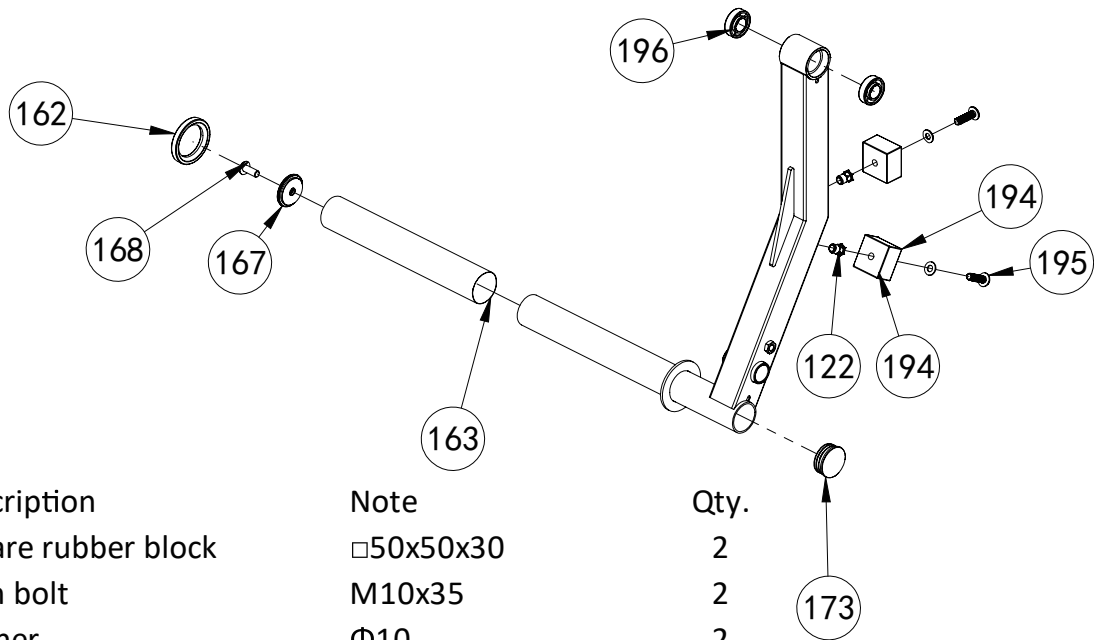
2 Connect link frame-90, selector frame-91, TV bracket-93 use  $\Phi 10 \times 85 \times M10$  shaft-92,  $\Phi 10$  washer-7, M10 lock nut-6  
Attach them to the mainframe use M10x20 hexagon bolt-94,  $\Phi 10$  washer-7,  $\Phi 10$  spring washer-14

# UPGRADE KIT DRAWING

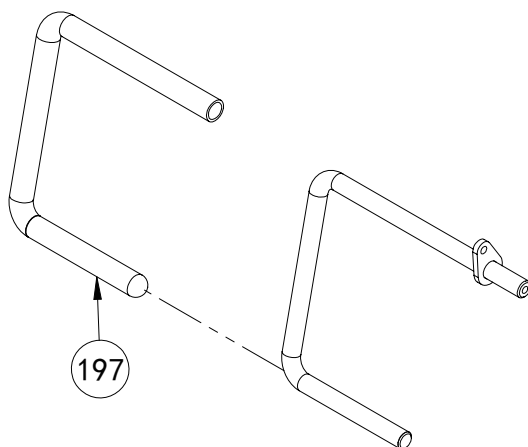


No.	Description	Note	Qty.
96	push frame left		1
97	link part		2
98	handle left		1
99	allen bolt	M10x20	2
7	washer	Φ10	2
100	washer	Φ33xΦ12.5xT3	2
101	allen bolt	M12x25	6
50	spring washer	Φ12	6
14	spring washer	Φ10	2
105	internal thread shaft	Φ20x56.5-M12	2
106	lock knob	M16	2
51	washer	Φ12	4
108	push arm right		1
109	handle right		1

# UPGRADE KIT DRAWING



No.	Description	Note	Qty.	
194	square rubber block	□50x50x30	2	
195	allen bolt	M10x35	2	
7	washer	Φ10	2	
162	rubber ring	Φ70xΦ50xΦ10	1	
163	tube	Φ49.5x0.6	1	
196	6004bearing		2	
122	lock nut	M10	2	
173	plug	Φ48x2.5	1	push arm right&left
167	end cap	Φ11xΦ18xΦ42xΦ50	1	1pcs/set
168	allen bolt	M10x25	1	

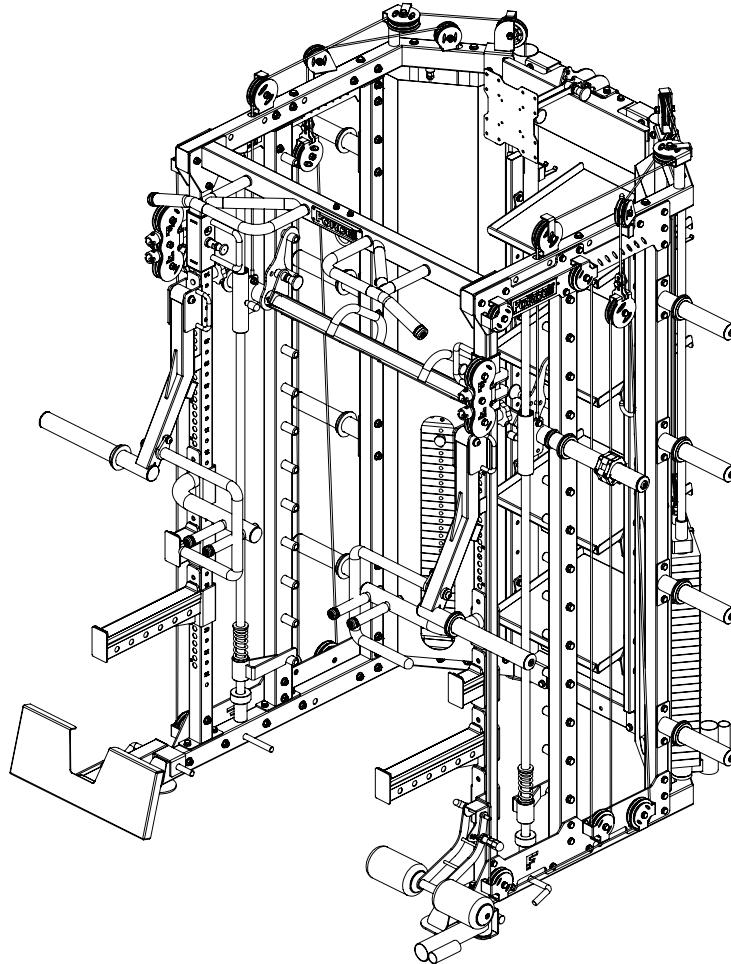


handle right&left  
1pcs/set

No.	Description	Note	Qty.
197	handle cover	Φ32xΦ24.8x830	1

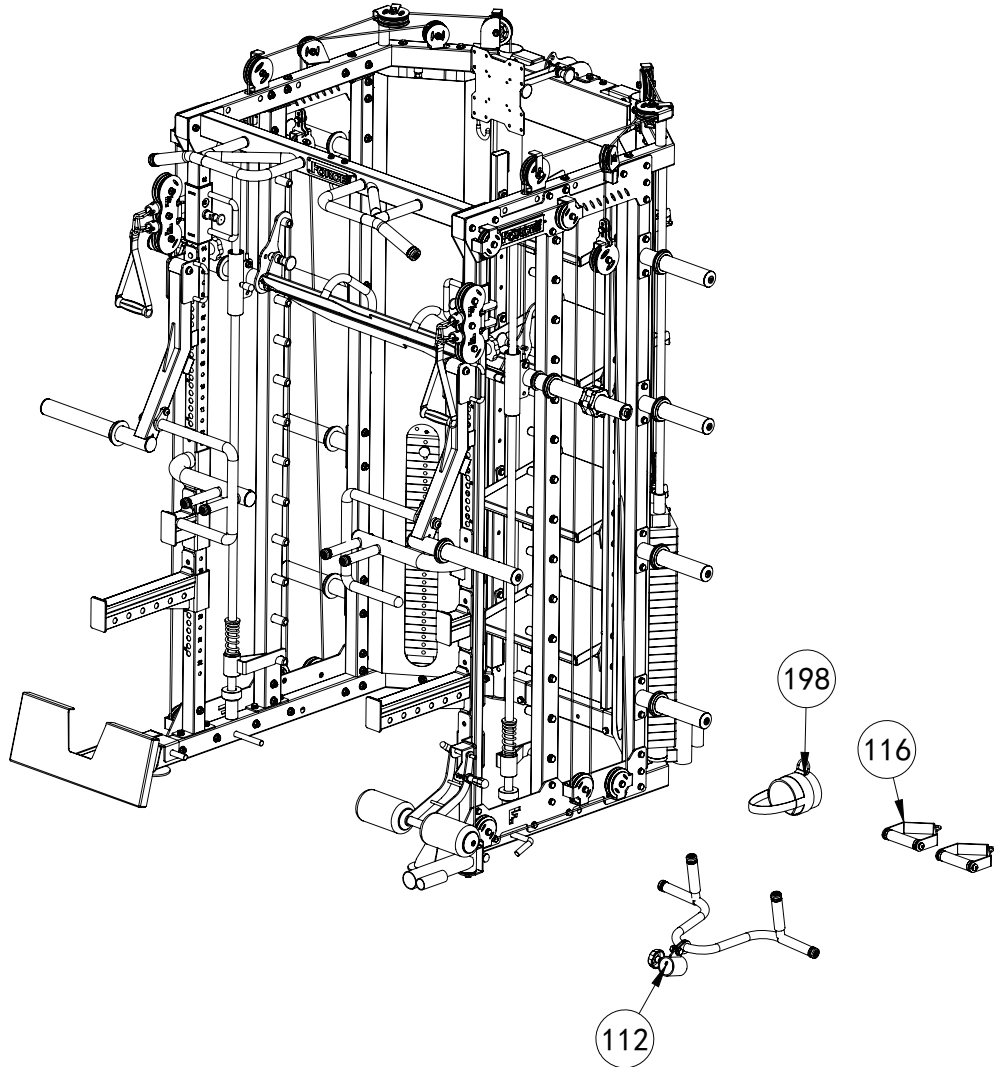


# UPGRADE KIT DRAWING



- 1 Connect link part-97, push frame left-96 and push arm right-108 use M12x25 hexagon bolt-101,  $\Phi$ 12 washer-51,  $\Phi$ 12 spring washer-50 and  $\Phi$ 20x56.5-M12 shaft-105  
Attach them on the mainframe use M16 lock knob-106
- 2 Connect handle left-98, handle right-109 and push arm use M10x20 allen bolt-99,  $\Phi$  10 washer-7,  $\Phi$ 10 spring washer-14, M12x25 allen bolt-101,  $\Phi$ 12 spring washer-50,  $\Phi$  33x $\Phi$ 12.5xT3 washer-100

# UPGRADE KIT DRAWING



No.	Description	Note	Qty.
112	lift device		1
116	handle		2
203	ankle strap		1



INNOVATION IN STRENGTH™

Success doesn't come from sitting on your ass. Success comes from striving to be better than yesterday. It comes from the urge to push boundaries and break through barriers. We know this because we've been there from selling the first piece of Force USA gear in 2007 to providing commercial and home gym equipment all over the globe. We are for helping you become your strongest self. **We are for innovation in strength.**

## WARRANTY

LIFETIME WARRANTY ON FRAME - 2 YEAR WARRANTY ON MOVING PARTS

The Force USA range of strength equipment carries a Lifetime Structural Warranty along with two years cover on all cables and pulleys. This warranty applies to first owners and does not cover second-hand equipment or re-sold equipment. This Force USA warranty covers only failures due to defects in structural, cables and pulleys and workmanship that occur during regular home use. It will not cover damage that occurs in transport/delivery or failure due to misuse, abuse, neglect, misapplication, alteration or improper assembly of the product. This warranty does not cover the use or failure of equipment in-studio commercial applications. The replacement or repair provided for under the Force USA warranty is the responsibility of the user, and the customer will be responsible for any freight charges that apply. Force USA will not be liable for any consequential damages or breach of any implied warranty on the range of Force USA strength equipment. Force USA reserves the right to provide reconditioned parts and/or to request a return and repair existing defective components on the Force USA product.

Force USA uses commercial-grade upholstery for all Force USA strength equipment. The commercial vinyl comes with a rip-stop mesh backing to help prevent rips and tears.

[WWW.FORCEUSA.COM](http://WWW.FORCEUSA.COM)

