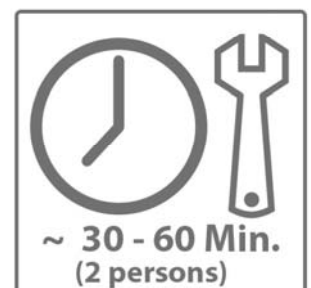


cardiostrong®

Assembly and Operating Instructions



CSTBX50.02.01

Art. No. CST-BX50-2

Ergometer BX50

Content

1	GENERAL INFORMATION	7
1.1	Technical Data	7
1.2	Personal Safety	8
1.3	Electrical Safety	9
1.4	Set-Up Place	10
2	ASSEMBLY	11
2.1	General Instructions	11
2.2	Scope of Delivery	12
2.3	Assembly	14
2.4	Instrument Setting	21
2.4.1	Horizontal Seat Adjustment	21
2.4.2	Vertical Seat Adjustment	21
3	OPERATING INSTRUCTIONS	22
3.1	Console Display	22
3.2	Button Functions	24
3.3	Turn on the Machine and first Settings	25
3.4	Programmes	27
3.4.1	QUICK START in the Manual Programme	28
3.4.2	Manual Mode	28
3.4.3	Profile Programmes	29
3.4.4	User-Defined Programmes	31
3.4.5	Watt-Controlled Programme	32
3.4.6	Heart Rate Control	32
3.4.7	Recovery	34
3.4.8	Save Data	34
3.4.9	Check or Delete Saved Data	36
3.5	Battery Compartment	37
4	STORAGE AND TRANSPORT	38
4.1	General Instructions	38
4.2	Transportation Wheels	38
5	TROUBLESHOOTING, CARE AND MAINTENANCE	39
5.1	General Instructions	39
5.2	Faults and Fault Diagnosis	39
5.3	Maintenance and Inspection Calendar	40

6	DISPOSAL	40
7	RECOMMENDED ACCESSORIES	41
8	ORDERING SPARE PARTS	42
8.1	Serial Number and Model Name	42
8.2	Parts List	43
8.3	Exploded Drawing	45
9	WARRANTY	46
10	CONTACT	48

Dear customer,

Thank you for choosing a high-quality equipment of the brand cardiostrong®. cardiostrong® offers sports and fitness equipment for the sophisticated home sport and the equipment of fitness studios and business customers. With cardiostrong® fitness equipment, the focus is on what sport is all about: maximum performance! Therefore, the equipment is developed in close consultation with athletes and sports scientists. Because athletes know best what makes perfect fitness equipment.

Further information can be found at www.sport-tiedje.com.

Intended Use

The equipment may only be used for its intended purpose.

The equipment is only suitable for home use. The equipment is not suitable for semi-professional (e.g. hospitals, associations, hotels, schools, etc.) and commercial or professional use (e.g. fitness studios).

Legal Notice

Sport-Tiedje GmbH
Europe's No. 1 for home fitness

International Headquarters
Flensburger Straße 55
24837 Schleswig
Germany

Management:
Christian Grau
Sebastian Campmann
Dr. Bernhard Schenkel
No. HRB 1000 SL
Local Court Flensburg
European VAT Number: DE813211547

Disclaimer



©2010 cardiostrong® is a registered brand of the company SportTiedje GmbH. All rights reserved. Any use of this trademark without the explicit written permission of Sport-Tiedje is prohibited.

Product and manual are subject to change. Technical data can be changed without advance notice.

ABOUT THIS MANUAL

Please carefully read the entire manual before installation and first use. The manual will help you to quickly set up the system and explains how to safely use it. Make sure that all persons exercising with the equipment (especially children and persons with physical, sensory, mental or motor disabilities) are informed about this manual and its contents in advance. In case of doubt, responsible persons must supervise the use of the equipment.



This equipment has been manufactured according to the latest safety knowledge. As far as possible, potential safety hazards which could cause injury have been eliminated. Make sure to carefully follow the instructions and that all parts are securely in place. If required, read through the instructions again to correct any mistakes.

Please pay close attention to the safety and maintenance instructions given here. The contract partner cannot be held liable for damage to health, accidents or damage to the equipment when it is not used in accordance with these instructions.

The following safety instructions may appear in this manual:

► **ATTENTION**

This notice indicates potentially hazardous situations which, if not avoided, may result in property damage.

⚠ **CAUTION**

This notice indicates potentially hazardous situations which, if not avoided, may result in slight or minor injuries!

⚠ **WARNING**

This notice indicates potentially hazardous situations which, if not avoided, may result in death or serious injuries!

⚠ **DANGER**

This notice indicates potentially hazardous situations which, if not avoided, will result in death or serious injuries!

ⓘ **NOTICE**

This notice indicates further useful information.

Retain these instructions in a safe place for future reference, maintenance or when ordering replacement parts.

1.1 Technical Data

LCD display

- + Speed in km/h
- + Training time in min
- + Training distance in km
- + Cadence (rotations per minute)
- + Calorie consumption
- + Heart rate (when using the hand pulse sensors or a chest strap)
- + Power output in watts
- + Resistance level

Resistance system: electronic magnetic brake system

Resistance level: 16

Watt: 10 - 350 watt

User memory: 4

Total number of training programs: 19

Manual programs: 1

Pre-set programs: 12

Watt-controlled programs: 1

Heart rate controlled programs: 4

User defined programs: 1

Flywheel mass: 9 kg

Weight and dimensions

Article weight (gross, including packaging): 42.15 kg

Article weight (net, without packaging): 39 kg

Packaging dimensions (L x W x H): approximately 106 cm x 28 cm x 65 cm

Set-up dimensions (L x W x H): approximately 109 cm x 54.5 cm x 138.5 cm

Maximum user weight: 150 kg

1.2 Personal Safety

DANGER

- + Before you start using the equipment, you should consult your physician that this type of exercise is suitable for you from a health perspective. Particularly affected are persons who: have a hereditary disposition to high blood pressure or heart disease, are over the age of 45, smoke, have high cholesterol values, are overweight and/or have not exercised regularly in the past year. If you are under medical treatment that affects your heart rate, medical advice is absolutely essential.
- + Note that excessive training can seriously endanger your health. Please also note that heart rate monitoring systems can be inaccurate. If you notice any signs of weakness, nausea, dizziness, pain, shortness of breath, or other abnormal symptoms, stop exercising immediately and seek advice from your doctor if necessary.

WARNING

- + This equipment may not be used by children under the age of 14.
- + Children should not be allowed unsupervised access to the equipment.
- + Persons with disabilities must have a medical license and must be under strict observation when using the equipment.
- + The equipment is strictly for use by one person at a time.
- + If your equipment provides a safety key, the clip of the safety key must be attached to your clothing before starting your training. In the event of a fall, the EMERGENCY STOP of the equipment can be initiated.
- + Keep your hands, feet and other body parts, hair, clothing, jewellery and other objects well clear of moving parts.
- + During use, wear suitable sports clothing rather than loose or baggy clothing. When wearing sports shoes, make sure they have suitable soles, preferably made of rubber or other non-slip materials. Shoes with heels, leather soles, studs or spikes are unsuitable. Never exercise barefoot.

CAUTION

- + If your equipment needs to be connected to the power supply with a mains cable, make sure that the cable is not a potential tripping hazard.
- + Make sure that nobody is within the range of motion of the equipment during training so as not to endanger you or other persons.

ATTENTION

- + Do not insert any objects of any kind into the openings of the device.

1.3 Electrical Safety

DANGER

- + In order to reduce the risk of an electric shock, always unplug the equipment from the mains socket immediately after your workout, before assembly or dismantling, and before maintenance or cleaning. Do not pull on the cable.

WARNING

- + Do not leave the equipment unattended while the mains cable is plugged into the mains socket. During your absence, the mains cable must be removed to prevent improper use by third parties or children.
- + If the mains cable or plug is damaged or defective, contact your contract partner. In the meantime, the equipment must not be used.

ATTENTION

- + The equipment requires a mains connection of 220-230V with 50 Hertz mains voltage.
- + The equipment may only be connected directly to an earthed socket using the supplied mains cable. Extension cables must conform to VDE guidelines. Always completely unwind the mains cable.
- + The socket must be protected by a fuse with a minimum fuse rating of "16 amps, slow blow".
- + Do not make any changes to the mains cable or the mains plug.
- + Keep the mains cable away from water, heat, oil and sharp edges. Do not route the mains cable underneath the equipment or under a carpet or rug, and do not place any objects on top of it.

1.4 Set-Up Place



WARNING

+ Do not place the equipment in main corridors or escape routes.



CAUTION

+ The training room should be well ventilated during training and not be exposed to any draughts.

+ Choose the place in which to set up the equipment such that there is enough free space/clearance to the front, the rear and to the sides of the equipment.

+ The set-up and mounting surface of the equipment should be flat, loadable and solid.

▶ ATTENTION

+ The device may only be used in one building, in sufficiently tempered and dry rooms (ambient temperatures between 10°C and 35°C). The equipment should not be used outdoors or in rooms with high humidity (over 70%) like swimming pools.

+ A floor protective mat/equipment underlay can help to protect high-quality floor coverings (parquet, laminate, cork, carpets) from dents and sweat and can help to level out slight unevenness.

2.1 General Instructions



DANGER

- + Do not leave any tools, packaging materials such as foils or small parts lying around, as otherwise there is a danger of suffocation for children. Keep children away from the equipment during assembly.



WARNING

- + Pay attention to the instructions attached to the equipment in order to reduce the risk of injuries.



CAUTION

- + Do not open the packaging when it is lying on its side.
- + Ensure to have sufficient room for movement in each direction during assembly.
- + The assembly of the equipment must be carried out by at least two adults. If in doubt, seek the help of another technically skilled person.



ATTENTION

- + To prevent damage to the equipment and the floor, assemble the equipment on a mat or packaging board.



NOTICE

- + In order to make the assembly as simple as possible, some screws and nuts to be used can already be pre-assembled.
- + Ideally, assemble the equipment at its later set-up place.

2.2 Scope of Delivery

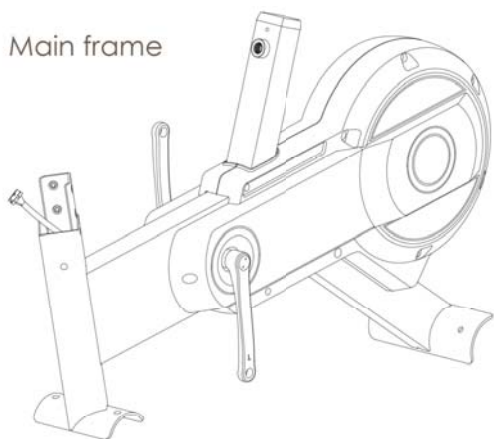
The scope of delivery consist of the following parts. At the beginning, check whether all parts and tools belonging to the device are included in the scope of delivery and whether damage has occurred. In the event of complaints, the contractual partner must be contacted directly.



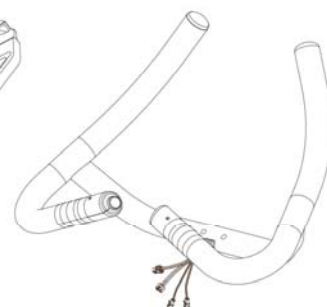
CAUTION

If parts of the scope of delivery are missing or damaged, the assembly must not be carried out.

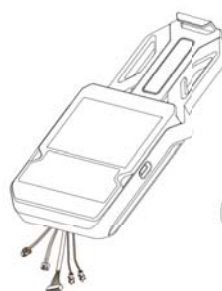
A Main frame



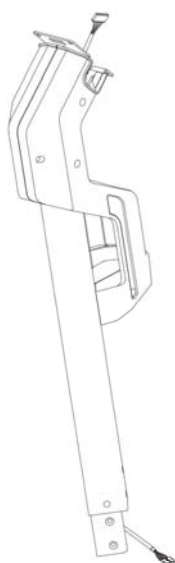
E Handle bar



G Console



B Central supporting tube



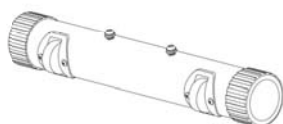
C Rear stabilizer tube



H Saddle



D Front stabilizer tube



K Left pedal (K1) & Right pedal (K2)



I Adaptor



A46 Knob



F Saddle tube & Saddle basement



Tool

4m/m



6m/m



2.3 Assembly

Before assembly, take a close look at the individual assembly steps shown and carry out the assembly in the order given.

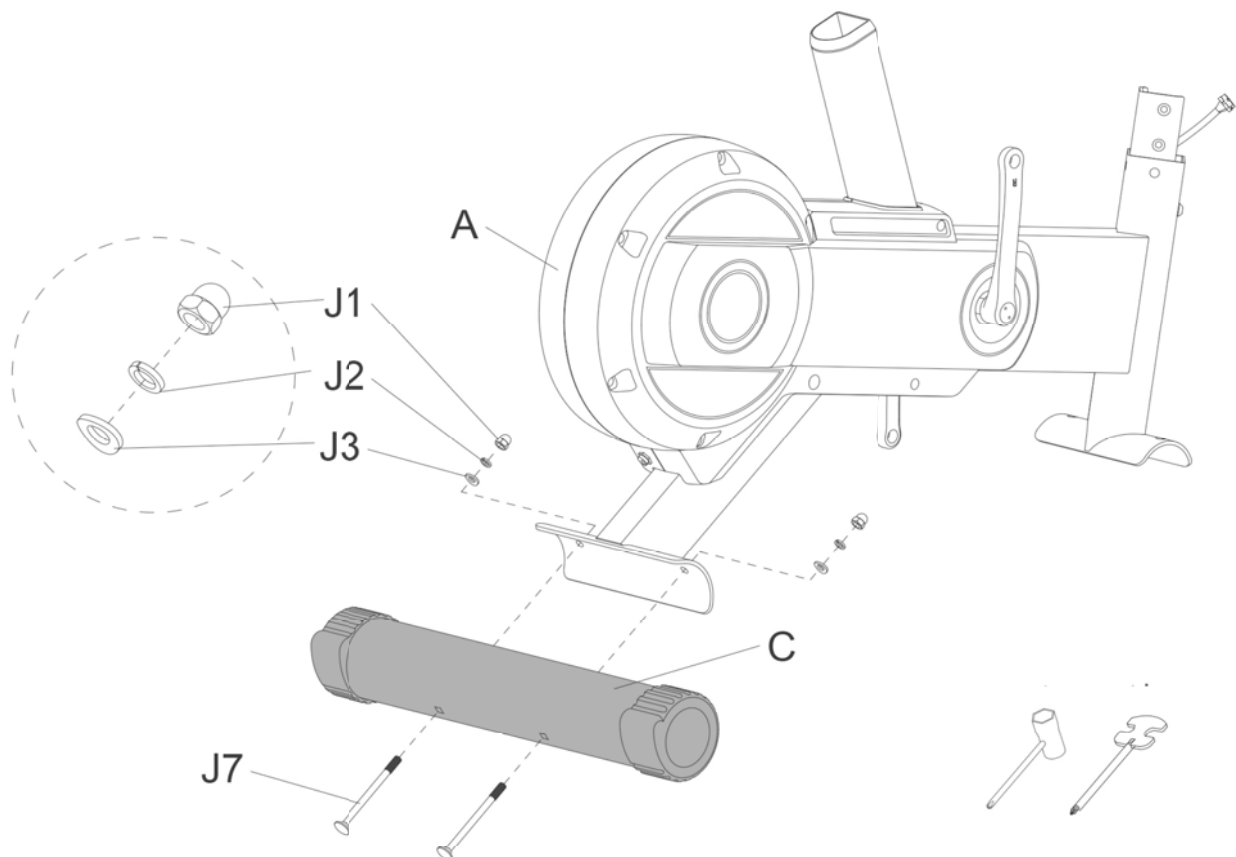
① NOTICE

First loosely screw all parts together and check that they fit properly. Then tighten the screws using the tool only when you are instructed to do so.

Step 1: Mounting the rear stand

Required tools: Socket wrench and Multitool

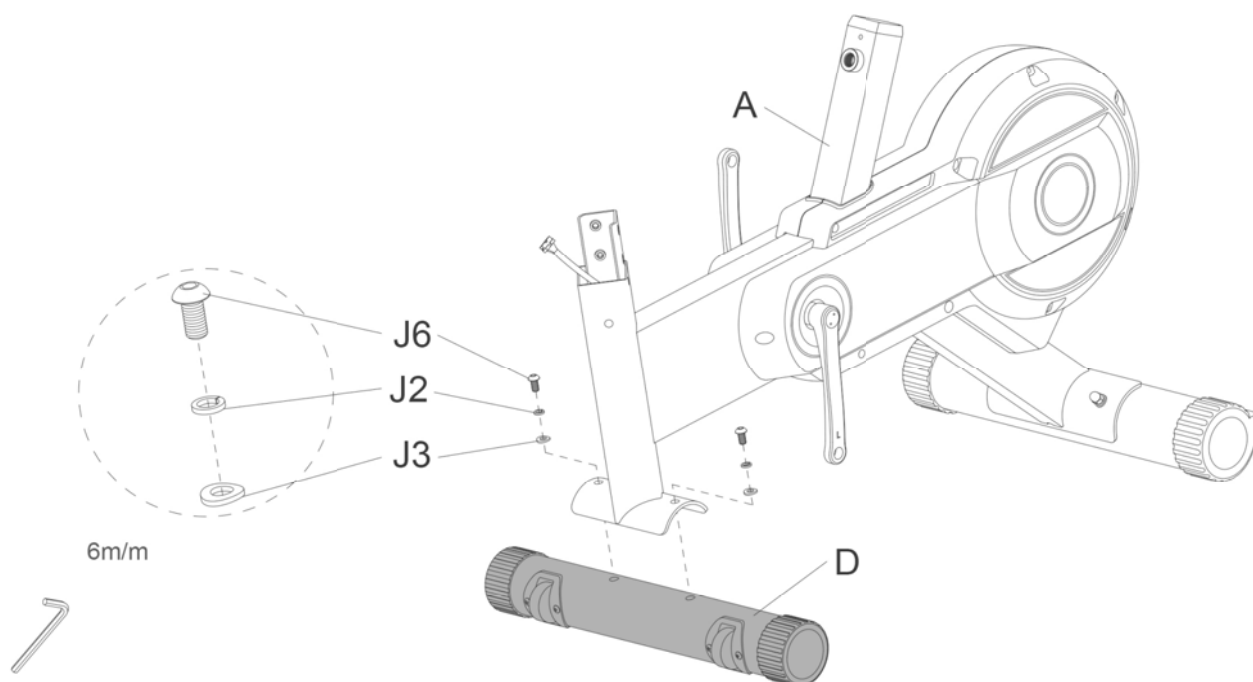
1. Remove the pre-assembled two nuts (**J1**), two spring washers (**J2**) and two washers (**J3**) from the rear stand (**C**).
2. Attach the rear stand (**C**) to the main frame (**A**) with the two nuts (**J1**), two spring washers (**J2**) and two washers (**J3**) previously removed.



Step 2: Mounting the front stand

Required tool: 6 mm Allen key

1. Remove the pre-assembled two screws (**J6**), two spring washers (**J2**) and two washers (**J3**) from the front stand (**D**).
2. Attach the front stand (**D**) to the main frame (**A**) using the two screws (**J6**) previously removed, two spring washers (**J2**) and two washers (**J3**).



Step 3: Mounting the console mast

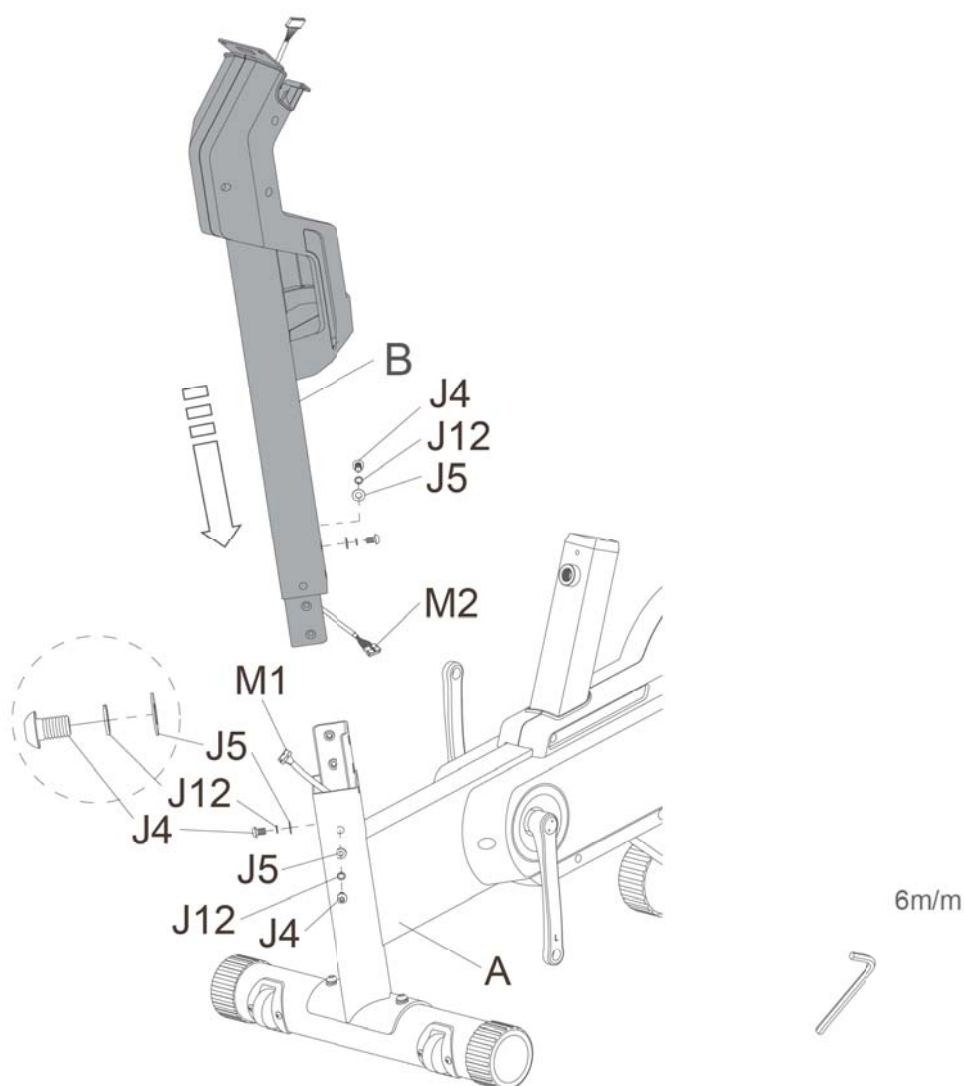
Required tool: 6 mm Allen key

1. Remove the screws (J4), spring washers (J12) and washers (J5) from the main frame (A).
2. Connect the sensor cable (M1) and the sensor cable (M2).

⚠ ATTENTION

Be careful not to pinch the cables during the next step.

3. Place the console mast (B) on the main frame (A).
4. Attach the console mast (B) to the main frame (A) using the previously removed screws (J4), spring washers (J12) and washers (J5).



Step 4: Mounting the handlebars

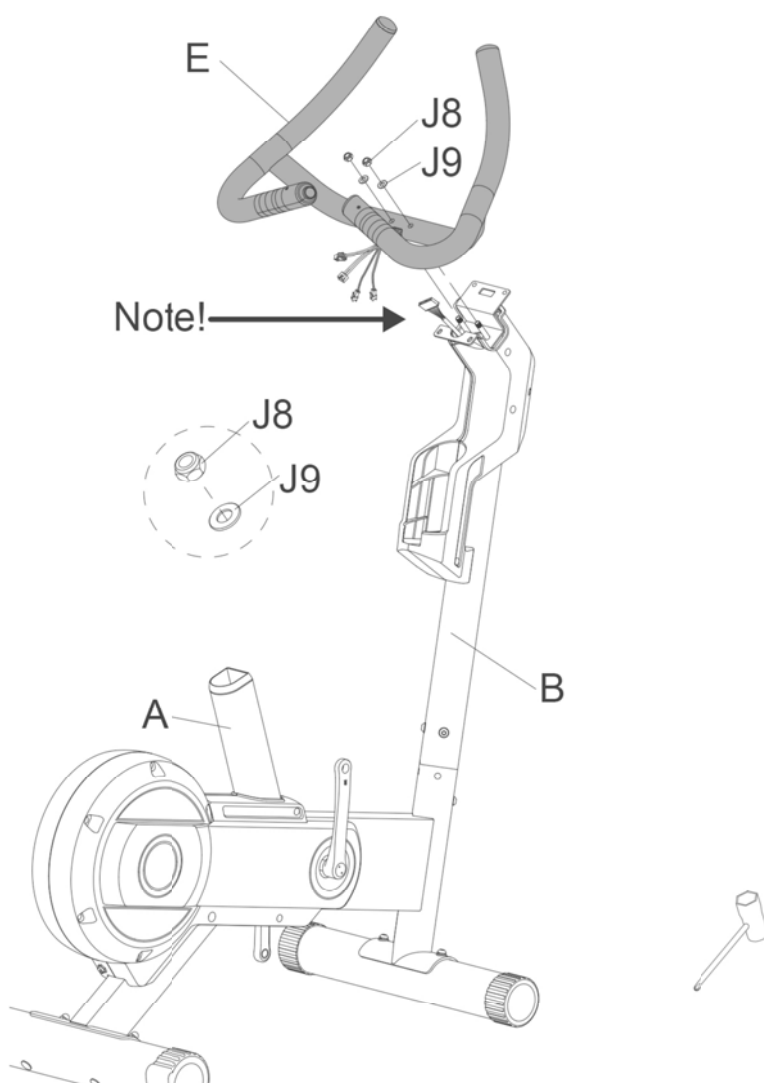
Required tools: Socket wrench

1. Remove the nuts (**J8**) and washers (**J9**) from the console mast (**B**).

► **ATTENTION**

Be careful not to pinch the cable during the next step.

2. Place the handlebar (**E**) on the console mast (**B**).
3. Attach the handlebar (**E**) to the console mast (**B**) using the nuts (**J8**) and washers (**J9**) previously removed.



Step 5: Mounting the console

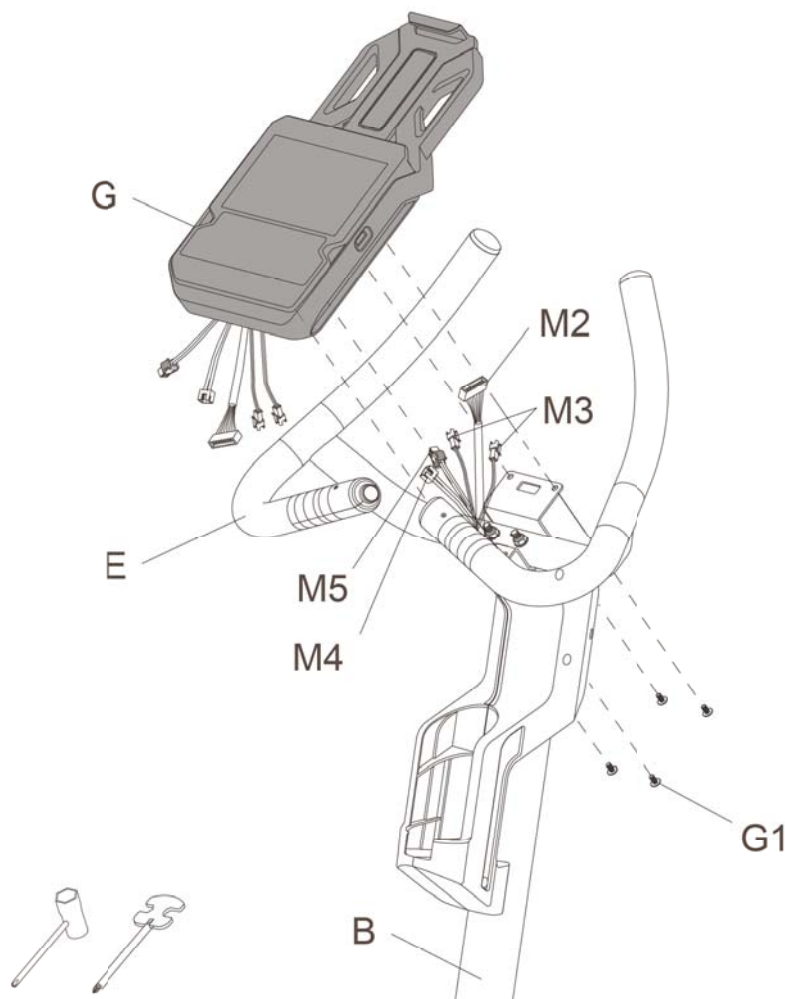
Required tools: Socket wrench and Multitool

1. Remove the screws (**G1**) on the back of the console (**G**).
2. Connect the cables (**M2**, **M4** and **M5**) and the cable (**M3**) to the corresponding slots on the console (**G**).

⚠ ATTENTION

Be careful not to pinch the cable during the next step. Slide excess cable into the handlebar mounting hole (**E**).

3. Place the console (**G**) on the console mast (**B**).
4. Attach the console (**G**) to the console mast (**B**) using the screws (**G1**) previously removed.



Step 7: Assembling the saddle, the seat post and the saddle rail

Required tools: 4 mm Allen wrench and socket wrench

1. Remove the nuts (**H1**) and washers (**H2**) on from underneath the saddle (**H**).
2. Place the saddle (**H**) on the seat basement (**F2**).
3. Attach the saddle (**H**) to the seat basement (**F2**) with the nuts (**H1**) and washers (**H2**) previously removed.
4. Loosen and pull out the knob (**A46**) on the main frame (**A**) a little and slide the seat tube (**F**) into the seat post of the main frame (**A**).
5. As soon as the seat tube (**F**) has reached the desired height, release the knob (**A46**).
6. Retighten the knob (**A46**) firmly.



CAUTION

Make sure that the rotary knob (**A46**) engages firmly in one of the holes in the seat tube (**F**).

7. Remove the bolt (**J11**) on the seat tube (**F**).
8. Loosen the knob (**F4**) on the saddle rail (**F2**).

ATTENTION

In the next step, Styrofoam is pressed out of the saddle rail. Remove the polystyrene only after the saddle basement (**F2**) has been attached to the seat tube (**F**).

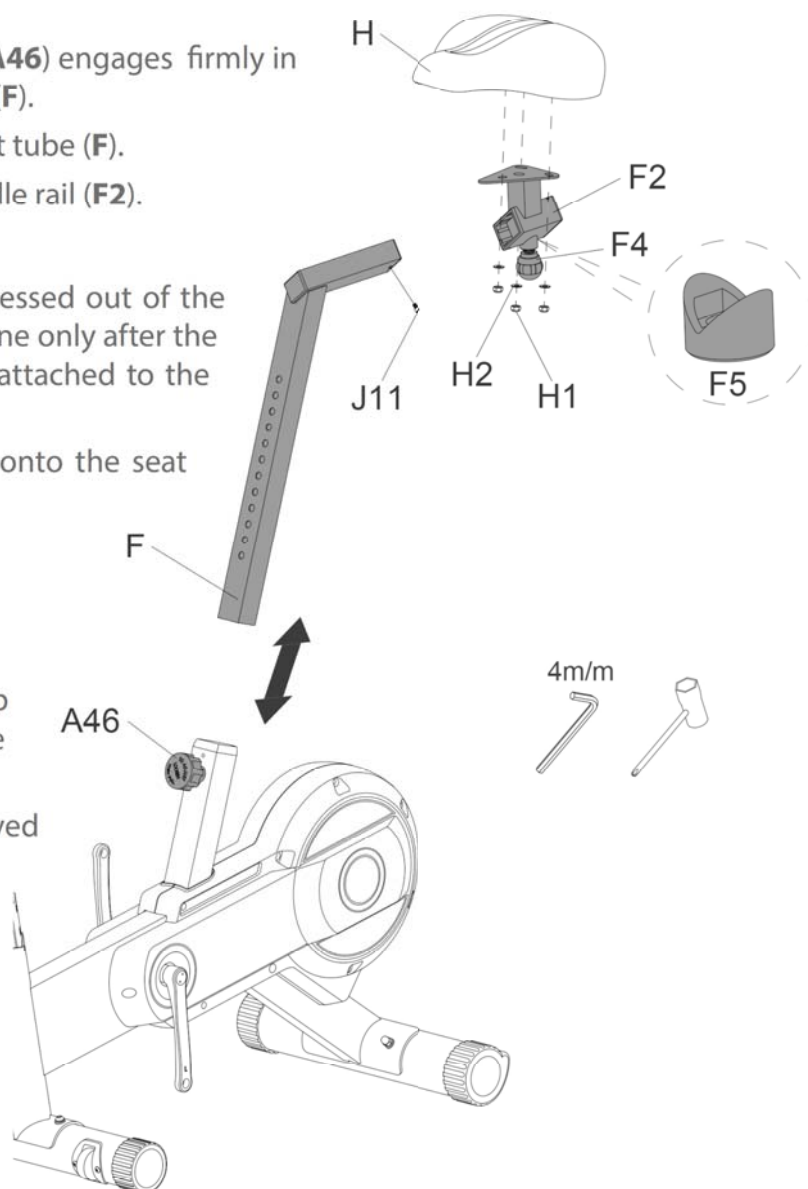
9. Slide the saddle basement (**F2**) onto the seat tube holder (**F**).
10. Now remove the polystyrene.
11. Retighten the knob (**F4**).



CAUTION

Make sure that the rotary knob (**F4**) engages firmly in one of the holes in the seat tube (**F**).

12. Replace the previously removed bolt (**J11**) on the seat tube (**F**).



Step 8: Mounting the pedals

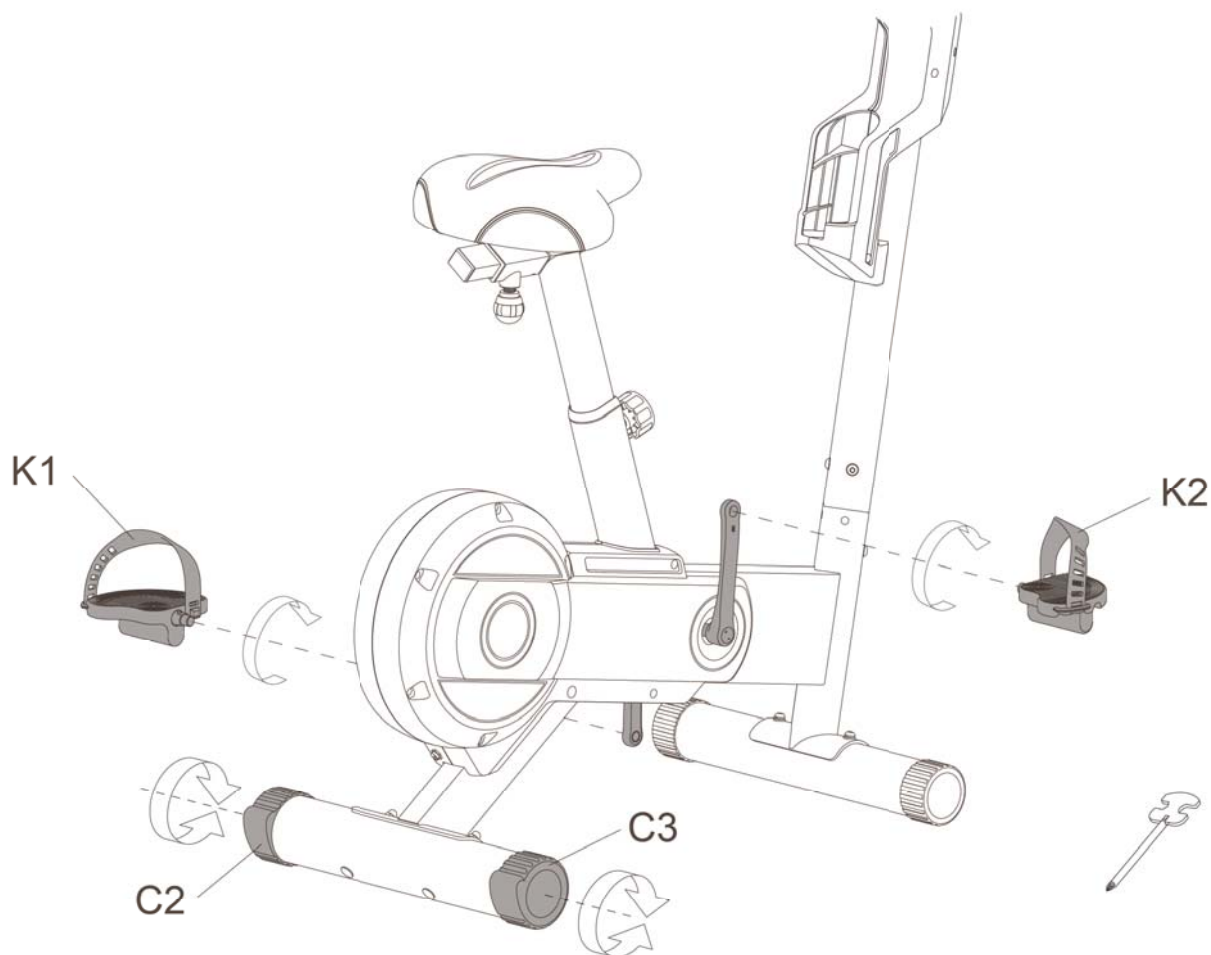
Required tool: Multitool

NOTICE

The two pedals are marked with an „L“ for left and an „R“ for right.

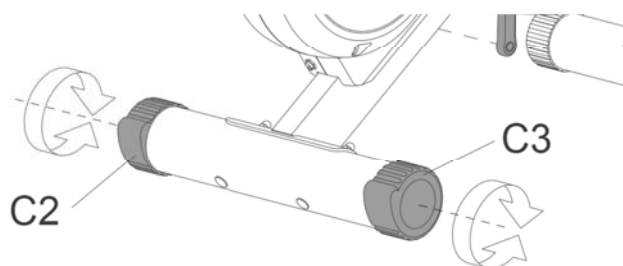
1. Mount the left pedal (**K1**) to the left crank arm of the main frame (**A**) by turning the pedal (**K1**) counterclockwise.
2. Mount the right pedal (**K2**) on the right crank arm of the main frame (**A**) by turning the pedal (**K2**) clockwise.

Now tighten all screws and nuts tightly!



Step 9: Alignment of the feet

To ensure that your unit is level and firmly seated on the floor, adjust the rear stand (C) adjustment caps (C1 and C2) by turning them.



Step 10: Connecting the appliance to the mains supply

► ATTENTION

The device must not be connected to a multiple socket, otherwise it cannot be guaranteed that the device will be supplied with sufficient power. Technical errors can result.

Plug the power plug into a wall outlet that complies with the electrical safety instructions in the chapter on electrical safety.

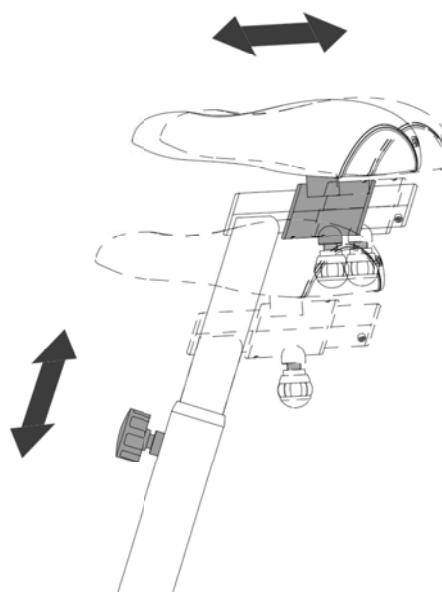
2.4 Instrument Setting

2.4.1 Horizontal Seat Adjustment

To move the saddle (H) forwards or backwards, first loosen the knob (F4) a little and then pull it out. Move the basement (F2) on the seat tube (F) to the desired position. Snap the knob back in and tighten.

2.4.2 Vertical Seat Adjustment

To adjust the seat height, first slightly loosen the knob (A46) on the seat tube (F) of the main frame (A). Then pull out the knob (A46) a little and move the seat tube (F) to the desired height. Then let the knob (A46) engage again and turn it tight again.



3 OPERATING INSTRUCTIONS

① NOTICE

Familiarise yourself with all the functions and setting options of the device before starting training. Have the proper use of this product explained to you by a specialist.

3.1 Console Display



Time	The time counts from 00:00 to a maximum of 99:59 in 1-minute increments.
Speed	Displays the current speed. The maximum speed is 99.9 km/h or mph.
RPM (cadence; rotations per minute)	Displays the rotations per minute. Range from 0 to 999 RPM.
Distance	Counts the total distance from 0.0 to 999.9 km or miles in increments of 0.1 kilometres or miles.
Calories (calorie consumption)	Counts the calories consumption from 0 to a maximum of 9999 calories during the training. The unit for reducing or increasing is 10 kcal. (This values serve as rough guides for comparing with different training sessions. However, they cannot be used for medical treatment.)
Pulse (heart rate; beats per minute)	Set a target pulse from 0 – 30 to 230.
Watt/Load (output/resistance)	Displays the current training wattage. Range from 0 to 999.

3.2 Button Functions

START/STOP	Start or stop the training. Press it in the Standby mode to start Quick Start in the MANUAL programme.
DOWN	Reduce the functional values or the training resistance
UP	Increase the functional values or the training resistance
ENTER	Confirm the settings
RESET	Reset the current setting, the screen returns to the initial training mode in the selection. Hold it pressed for two seconds in the Standby mode to reset all.
RECOVERY	Activate the recovery function.
RECORDED DATA	Press in the Stop mode to check the data.
SAVE/DELETE	SAVE: Press STOP to stop the training. The display asks whether you want to save the data. Press SAVE. DELETE: When you check the saved data, press DELETE. The system asks whether you really want to delete the data. Confirm with ENTER.
PROGRAMM MODE	Quick key to enter program mode function.
HEART RATE CONTROL	Quick key to enter heart rate control function.
WATT CONSTANT	Quick key to enter Watt constant function.

3.3 Turn on the Machine and first Settings

1. Connect the monitor to the power and press RESET for two seconds.

The LCD screen displays all segments for two seconds and a signal sounds (see fig. 1).

2. Go to the settings of calendar and time (fig. 2 to 5).
3. Set the time and the calendar with the UP/DOWN buttons.
4. Confirm with ENTER.



Fig. 1



Fig. 2



Fig. 3



Fig. 4



Fig. . 5

- To choose the user (U) form 1 to 4, press the UP/DOWN buttons.
- Confirm with ENTER (fig. 6).
- Enter the user data for gender, age, height, and weight (fig. 7 to 10).



Fig. 6



Fig. 7



Fig. 8



Fig. 9



Fig. 10

3.4 Programmes

The programmes can be chosen as followed:

MANUAL - PROGRAM - USER PROG - WATT - H.R.C. (fig. 11 to 15).



Fig. 11



Fig. 12



Fig. 13

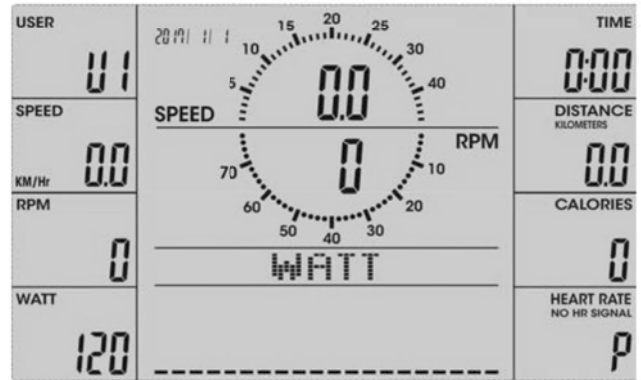


Fig. 14

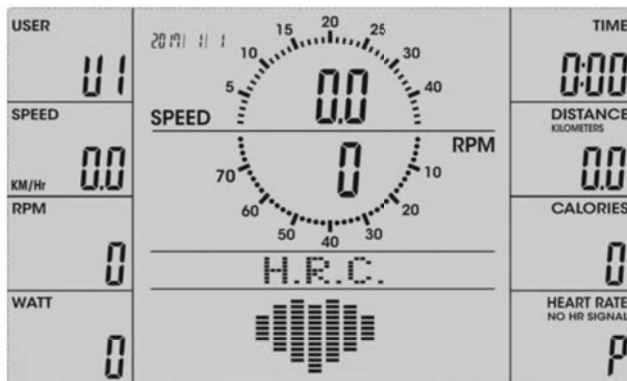


Fig. 15

3.4.1 QUICK START in the Manual Programme

1. Press ENTER in the MANUAL programme (fig. 19).
2. Press START/STOP to start the training (fig. 20). The resistance can be adjusted during the training.
3. Press START/STOP to stop the training.



Fig. 16



Fig. 17

3.4.2 Manual Mode

4. Choose the MANUAL mode and confirm with ENTER (fig. 16).
5. Increase or reduce the intensity level (from 1 to 6) with the UP/DOWN buttons.
6. Confirm with ENTER.
7. Target values for TIME/DISTANCE/CALORIES/PULSE can be pre-set.
8. To start the training, press START/STOP (fig. 17).
9. To return to the MANUAL mode, press RESET.
10. The resistance can be adjusted during the training.

3.4.3 Profile Programmes

- After entering the PROGRAM mode (fig. 18) you can choose one of the 12 hill programs with the UP/DOWN buttons (fig. 19 to 30). Confirm with ENTER.

① **NOTICE**

The TIME can be pre-set.

- Press START/STOP to start the training (fig. 31).

After the training starts, the time is counted down. When the time reaches zero, the screen lights up and a signal sounds.

- To stop the signal, press any button.



Fig. 18



Fig. 19

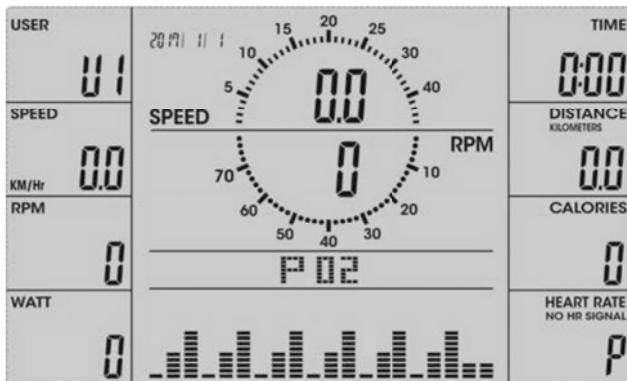


Fig. 20



Fig. 21

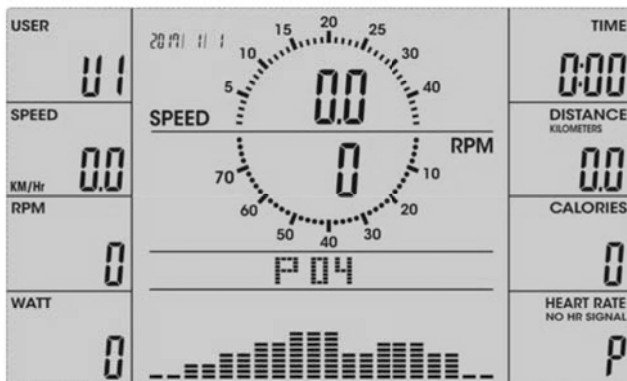


Fig. 22



Fig. 23

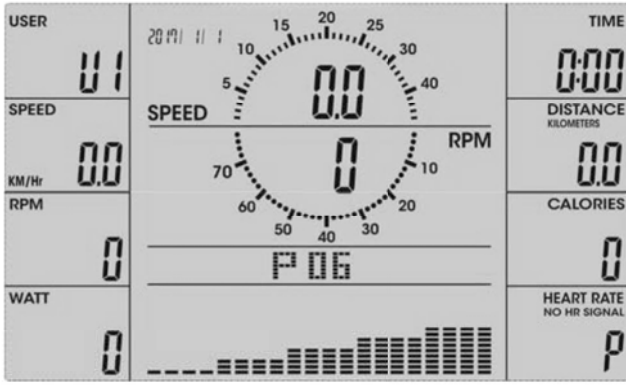


Fig. 24



Fig. 25

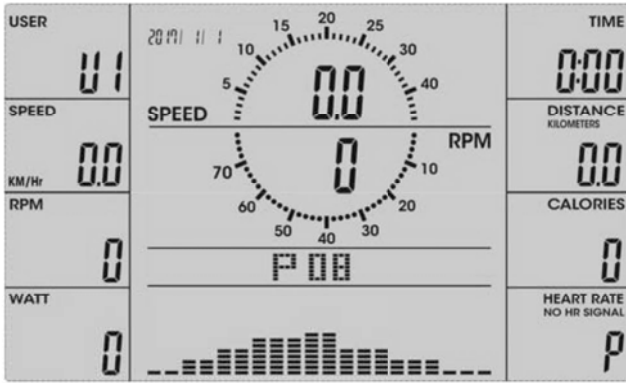


Fig. 26



Fig. 27

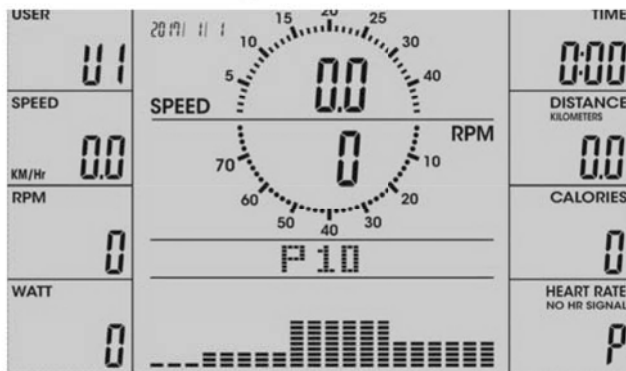


Fig. 28



Fig. 29



Fig. 30



Fig. 31

3.4.4 User-Defined Programmes

1. Enter the USER PROG (PROGRAM mode, fig. 32).

When you entered the USER PROG (PROGRAM mode, fig. 32) the first section blinks (fig. 33).

2. You can increase or reduce the intensity level (from 1 to 6) with the UP/DOWN buttons for all the 20 sections.
3. If you set the intensity level for all sections, press and hold ENTER for two seconds.

The profile program will now be saved and you can continue by entering the training time.

4. You can enter target values for TIME, DISTANCE, CALORIES and PULSE.

The training will automatically be ended when the target value is reached.

5. To skip the target entering and immediately start with the training, press START/STOP (fig. 43).
6. To return to the settings in the MANUAL mode, press RESET.



Fig. 32



Fig. 33



Fig. 34

3.4.5 Watt-Controlled Programme

1. Enter the watt-controlled program (WATT mode).

When you entered the watt-controlled program (WATT mode), the pre-set value of 120 Watt blinks. You can set the value between 10 and 350 Watt with the UP/DOWN buttons.

2. To set the target values, press ENTER.
3. To immediately start the training, press START.
4. You can enter target values for TIME, DISTANCE and CALORIES.

The training will automatically be ended when the target value is reached.

5. To skip the target entering and immediately start with the training, press START/STOP.

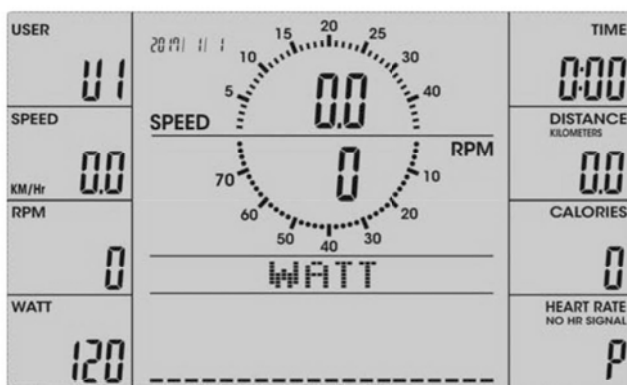


Fig. 35

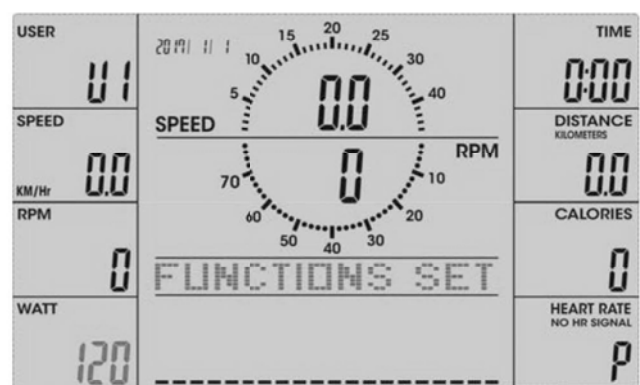


Fig. 36



Fig. 37

3.4.6 Heart Rate Control

⚠ WARNING

Your training equipment is not a medical device. The heart rate measurement of this equipment may be inaccurate. Various factors can affect the accuracy of the heart rate measurement. The heart rate measurement serves only as a training aid.

1. In the H.R.C. mode (fig. 38), the screen displays 55%, 75%, 90%, and TARGET (fig. 32 to 35). Choose the preferred heart rate with the UP/DOWN buttons.

① **NOTICE**

The time can be pre-set.

- To start the training, press START/STOP.

After the training starts, the time is counted down. When zero is reached, the screen lights up and a signal sounds.

- To stop the signal, press any button.

① **NOTICE**

When there is no pulse for six seconds, the LCD screen displays PULSE INPUT as reminder until a pulse is set (fig. 43).



Fig. 38



Fig. 39



Fig. 40



Fig. 41



Fig. 42



Fig. 43

3.4.7 Recovery

1. Press RECOVERY after the pure training time and grasp both handles.

All function displays stop except for TIME. It counts down from 00:60 to 00:00 (fig. 44).

① **NOTICE**

When the console detects a pulse signal, the LCD screen displays RECOVERY SCANNING. When the console does not detect a pulse signal, the LCD screen reminds of it by displaying PULSE INPUT! The screen displays your recovery pulse status with F1 to F6 (fig. 45). F1 stands for the best value, F6 for the worst. Continue training to improve your recovery pulse.

2. Press RECOVERY again to return to the main display.



Fig. 44

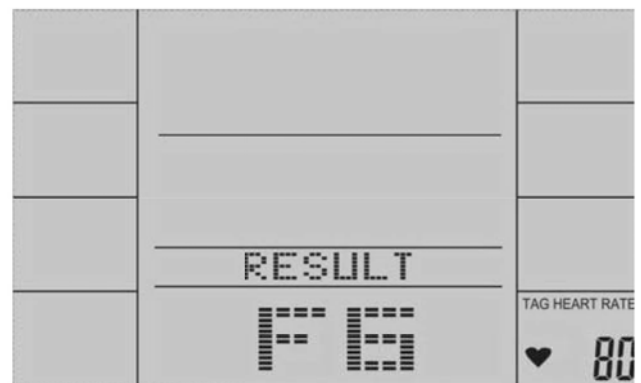


Fig. 45

3.4.8 Save Data

1. When you want to check the data, press the mode selection in the main programme and press RECORDED DATA. Then press UP/DOWN to see the previously saved data (fig. 57).
2. Choose the date and press SAVE.DELETE. Confirm the deletion of the saving with ENTER (fig. 58).
3. Delete all data: Press SAVE.DELETE for six seconds in the calendar setting or in the RECORDED DATA control. DELETE ALL! is displayed (fig. 59). Confirm with ENTER.

→ All data are deleted (fig. 60).

① **NOTICE**

The computer reboots after 15 seconds and returns to the calendar default 20170101.



Fig. 46



Fig. 47



Fig. 48



Fig. 49



Fig. 50

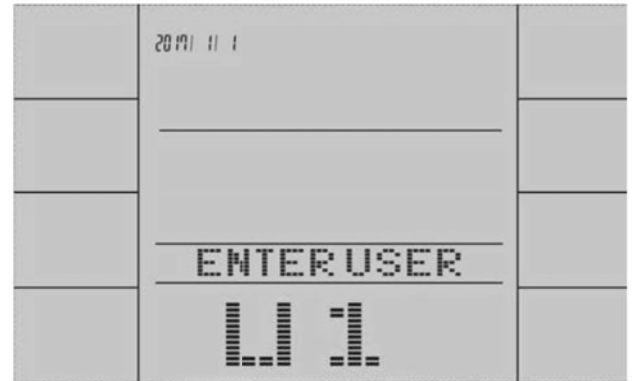


Fig. 51



Fig. 52



Fig. 53



Fig. 54



Fig. 55



Fig. 56

3.4.9 Check or Delete Saved Data

1. When you want to check the data, press the mode selection in the main programme and press RECORDED DATA. Then press UP/DOWN to see the previously saved data (fig. 57).
2. Choose the data and press SAVE/DELETE. Confirm the deletion of the data with ENTER (fig. 58).
3. Delete all data: Press SAVE/DELETE for six seconds in the calendar setting or in the RECORDED DATA control. DELETE ALL! is displayed (fig. 59). Confirm with ENTER.

→ All data are deleted (fig. 60).

NOTICE

The computer reboots after 15 seconds and returns to the calendar default 20170101.



Fig. 57

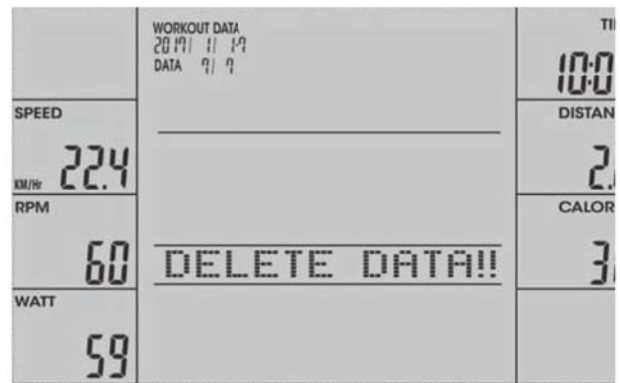


Fig. 58



Fig. 59

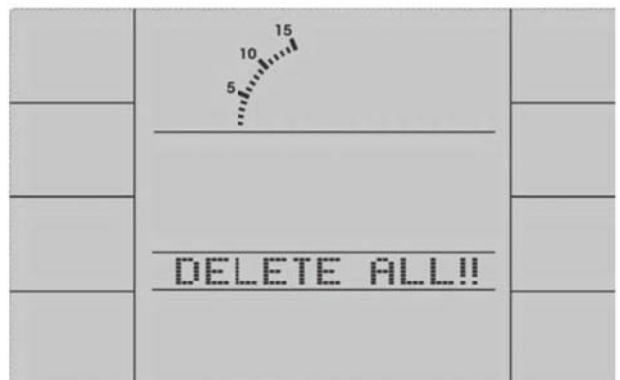
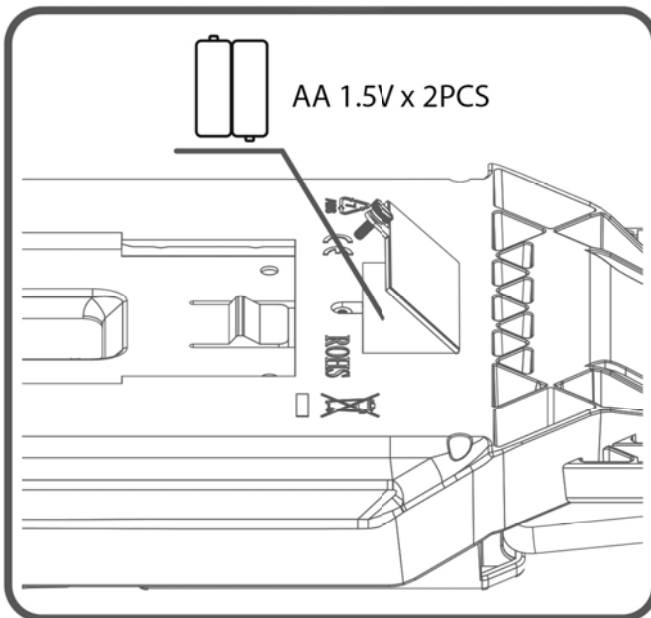


Fig. 60

3.5 Battery Compartment

The battery runs the calendar. If you want to set the calendar, remove the battery and restart the console (fig. 61).



1. Loosen the screw at the battery compartment.
2. Remove the battery compartment coverage.
3. Insert the battery and close the battery compartment by tighten up the screw again.

ⓘ NOTICE

- + If you interrupt the treading for more than four minutes, the computer enters the sleep mode. All entries and training values remain stored till you resume the training.
- + If the computer is not working, please pull the plug and plug it in again.

4.1 General Instructions

⚠ ATTENTION

+ Make sure that the equipment is protected from moisture, dust and dirt in the selected storage location. The storage location should be dry and well ventilated and have a constant ambient temperature between 5°C and 45°C.

⊠ WARNING

+ The storage location should be chosen so that improper use by third parties or children can be prevented.

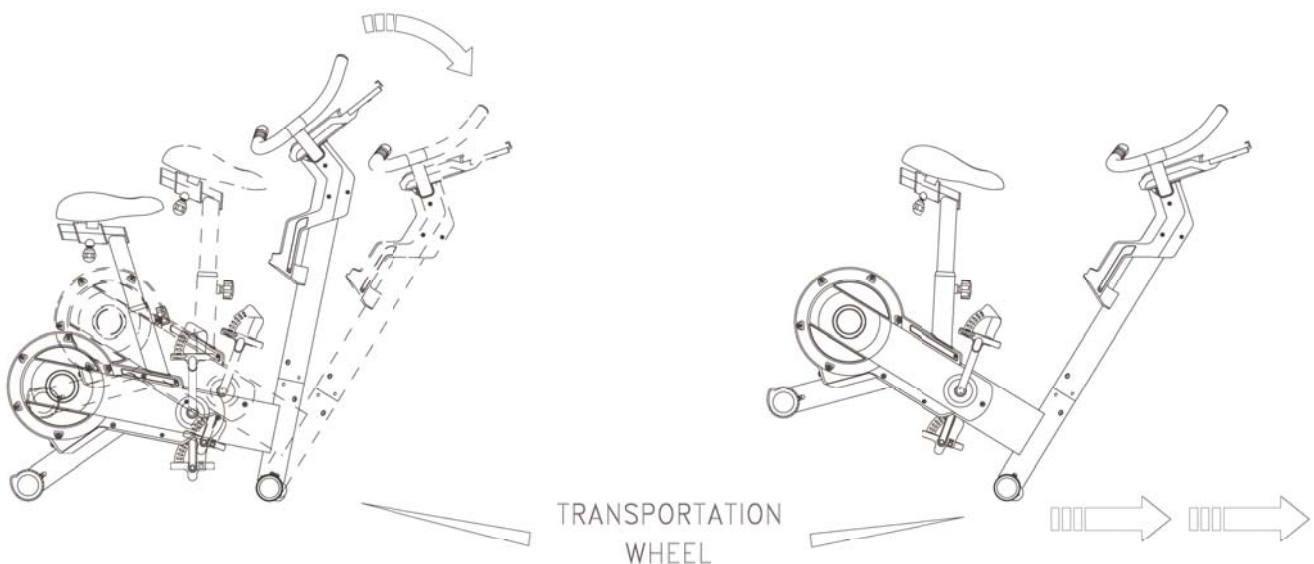
+ If your equipment does not have transportation wheels, the equipment must be disassembled before transportation.

4.2 Transportation Wheels

⚠ ATTENTION

If you want to transport your equipment over particularly sensitive and soft floor coverings, such as parquet, planks or laminate, lay out the transport route with cardboard or similar to avoid possible floor damage.

1. Stand behind the equipment and lift it until the weight is transferred to the transportation wheels. After that, you easily can move the equipment to a new position. For long transport distances the equipment should be disassembled and safely packed.
2. Select the new location by following the instructions in the section 1.4 of this manual.



5.1 General Instructions

⚠ WARNING

+ Do not make any improper changes to the equipment.

⚠ CAUTION

+ Damaged or worn components may affect your safety and the life of the equipment. Therefore, immediately replace damaged or worn components. In such a case, contact the contract partner. The equipment must not be used until it has been repaired. If necessary, use only original spare parts.

▶ ATTENTION

+ In addition to the instructions and recommendations for maintenance and care given here, additional service and/or repair work may be necessary; this must only be carried out by authorised service technicians.

5.2 Faults and Fault Diagnosis

The equipment undergoes regular quality controls during production. Nevertheless, faults or malfunctions may occur. Frequently, individual parts are responsible for these disturbances, an exchange is usually sufficient. Please refer to the following overview for the most common errors and how to correct them. If the equipment still does not function properly, contact your contract partner.

Fault	Cause	Solution
Crackling noise in pedal area	Loose pedals	Tighten the pedals
Equipment wobbles	Equipment is not level	Adjust the supporting feet
Handlebar/saddle wobbles	Screws are loose	Tighten screws
Display doesn't turn on	Power is disconnected	Check all screw connections and see if the plug is plugged in
No pulse reading	<ul style="list-style-type: none"> + Interference in the room + Unsuitable chest strap + chest strap is incorrectly positioned + batteries are empty 	<ul style="list-style-type: none"> + Eliminate sources of interference (e. g. mobile phone, loudspeaker, etc.) + Use a suitable chest strap (see recommended accessories) + Reposition the chest strap and/or moisten the electrodes + Change the batteries

5.3 Maintenance and Inspection Calendar

To avoid damage from body sweat, the equipment must be cleaned with a damp towel (no solvents!) after each training session.

The following routine tasks must be performed at the specified intervals:

Part	Weekly	Monthly	Quarterly	Half-yearly	Yearly
Display console	C	I			
Tighten the pedals				I	
Plastic covers		I			
Seat rail	C	I			
Legend: C = clean; I = inspect					

6 DISPOSAL

At the end of its operational life, this equipment cannot be disposed of in normal household waste. Instead, it must be disposed of via an electricals recycling centre. Further information can be obtained from your local authority's recycling service.



The materials can be recycled as per their symbols. Through the reuse, recycling of materials or other forms of recovery of old equipment, you make an important contribution to the protection of the environment.

7 RECOMMENDED ACCESSORIES

To make your training experience even more efficient and pleasant, we recommend that you add suiting accessories to your fitness equipment. This could be a floor mat, for example, which makes your fitness equipment stand more securely and also protects the floor from falling sweat, but it could also be additional handrails on some treadmills or silicone spray to keep moving parts in good shape.

If you have purchased a fitness machine with pulse training and want to train your heart rate, we strongly recommend that you use a compatible chest strap, as this ensures optimum transmission of the heart rate. You may want to buy additional grips or weights for multi gyms.

Our range of accessories offers the highest quality and makes training even better. If you would like to find out more about compatible accessories, please go to the detail page of the product in our webshop (the easiest way is to enter the article number in the search field above) and go to the recommended accessories on this page. Of course, you can also contact our customer service: by telephone, e-mail, in one of our branches or via our social media channels. We will be happy to advise you!



8.1 Serial Number and Model Name

In order to provide you with the best possible service, please have the model name, article number, serial number, exploded drawing and parts list ready. The corresponding contact options can be found in chapter 10 of this operating manual.

① **NOTICE**

The serial number of your equipment is unique. It's located on a white sticker. The exact position of this sticker is shown in the following illustration.



Enter the serial number in the appropriate field.

Serial number:

Brand / Category:

Model Name:

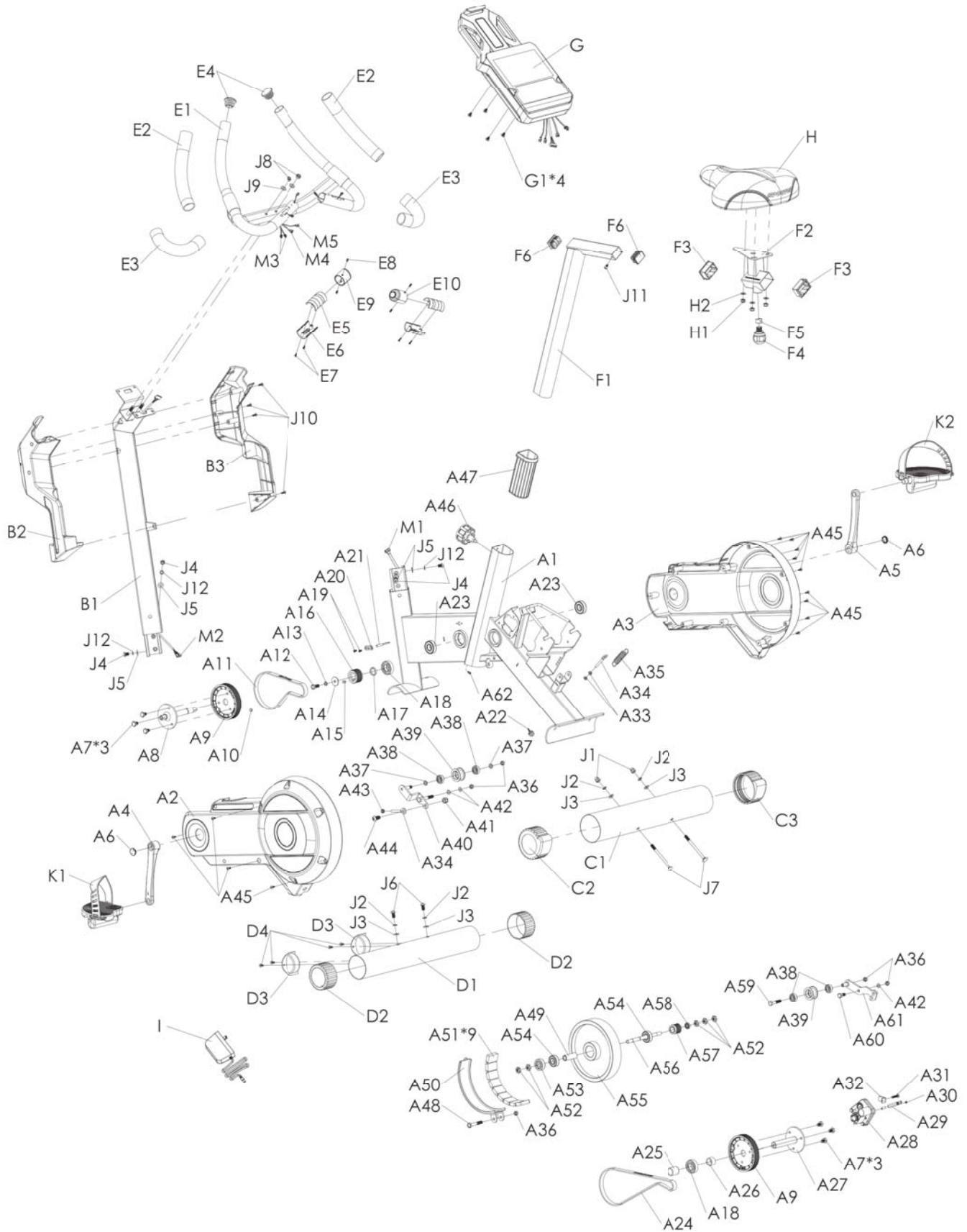
Article Number:

8.2 Parts List

No.	Name	Qty.	No.	Name	Qty.
A1	MAIN FRAME	1	A32	FIX PLATE	1
A2	CHAIN COVER-L	1	A33	NUT M6	2
A3	CHAIN COVER-R	1	A34	ADJUSTED SCREW	2
A4	CRANK-L	1	A35	SPRING	1
A5	CRANK-R	1	A36	NUT M8	5
A6	END CAP	2	A37	SPACER	2
A7	SCREW M8x12	3	A38	BEARING	4
A8	AXLE	1	A39	IDLER WHEEL	2
A9	BELT WHEEL	2	A40	IDLER WHEEL FRAME	1
A10	MAGNET	1	A41	NUT M10	1
A11	BELT 220 6PJ	1	A42	WASHER M8	2
A12	SCREW M8x20	1	A43	NUT M6	1
A13	SPRING WASHER M8	1	A44	SCREW M10x20	1
A14	WASHER M8	1	A45	SCREW M4x13	13
A15	PARALLEL KEY	1	A46	KNOB	1
A16	SMALL BELT WHEEL	1	A47	PLASTIC INSERT	1
A17	SPACER	1	A48	SCREW M8x50	1
A18	BEARING 6004	2	A49	BUSH	1
A19	SCREW M4x11.5	2	A50	MAGNETIC HOUSING	1
A20	SENSOR WIRE HOUSING	1	A51	MAGNET	9
A21	SENSOR WIRE	1	A52	NUT	5
A22	DC JACK	1	A53	BEARING	1
A23	BEARING 6203	2	A54	BEARING 6003	2
A24	BELT	1	A55	FLY WHEEL	1
A25	BUSH	1	A56	AXLE	1
A26	BUSH	1	A57	SMALL BELT WHEEL	1
A27	AXLE	1	A58	BEARING 6800	1
A28	MOTOR	1	A59	SCREW M8x40	1
A29	BOLT	1	A60	SCREW M8x20	1
A30	NUT M3	1	A61	IDLER WHEEL FRAME	1
A31	SCREW M5x25	1	A62	SCREW M5x8	1

B1	CENTRAL SUPPORTING TUBE	1	J3	WASHER M8	4
B2	BOTTLE HOLDER COVER-L	1	J4	SCREW M8x12	4
B3	BOTTLE HOLDER COVER-R	1	J5	WASHER M8	4
C1	REAR STABILIZER	1	J6	SCREW M8x16	2
C2	END CAP-L	1	J7	SCREW M8x105	2
C3	END CAP-R	1	J8	NUT M8	2
D1	FRONT STABILIZER	1	J9	WASHER M8	2
D2	END CAP	2	J10	SCREW M4x16	4
D3	TRANSPORTATION WHEEL	2	J11	SCREW M5x8	1
D4	SCREW M5x12	4	J12	SPRING WASHER	4
E1	HANDLE BAR TUBE	1	K1	PEDAL-L	1
E2	SPONGE HDR	2	K2	PEDAL-R	1
E3	SPONGE HDR	2	M1	SENSOR WIRE 650mm	1
E4	END CAP	2	M2	SENSOR WIRE 850mm	1
E5	UPPER HANDLE PULSE HOUSING	2	M3	SENSOR WIRE 600mm	2
E6	LOWER HANDLE PULSE HOUSING	2	M4	SENSOR WIRE 650mm	1
E7	SCREW M3x10	4	M5	SENSOR WIRE 650mm	1
E8	SCREW M3x10	4			
E9	TOGGLE LOAD -	1			
E10	TOGGLE LOAD +	1			
F1	SEAT TUBE	1			
F2	SEAT BASEMENT	1			
F3	PLASTIC PIPE	2			
F4	KNOB	1			
F5	GAP BLOCK	1			
F6	END CAP	2			
G	CONSOLE	1			
G1	SCREW M5x10	4			
H	SADDLE	1			
H1	NUT M8	3			
H2	WASHER M8	3			
I	ADAPTER	1			
J1	NUT M8	2			
J2	SPRING WASHER M8	4			

8.3 Exploded Drawing



Training equipment from cardiostrong® is subject to strict quality control. However, if a fitness equipment purchased from us does not work perfectly, we take it very seriously and ask you to contact our customer service as indicated. We are happy to help you by phone via our service hotline.

Error Descriptions

Your fitness equipment is developed for long-term, high-quality training. However, should a problem arise, please first read the operating instructions. For further assistance, please contact your contract partner or call our service hotline. To ensure your problem is solved as quickly as possible, please describe the defect as exactly as possible.

In addition to the statutory warranty, we provide a warranty for every fitness equipment purchased from us according to the following provisions.

Your statutory rights are not affected.

Warrantee

The warrantee is the first/original buyer and/or any person who received a newly purchased product as a gift from the original buyer.

Warranty periods

The following warranty periods begin on delivery of the fitness equipment.

Model	Usage	Full Warranty	Frame
CST-BX50-2	Home use	24 Months	30 Years

Repair Costs

According to our choice, there will either be a repair, a replacement of individual damaged parts or a complete replacement. Spare parts, that have to be mounted while assembling the equipment, have to be replaced by the warrantee personally and are not a part of repair. After the expiration of the warranty period for repair costs, a pure parts warranty applies, which does not include the repair, installation and delivery costs.

The terms of use are defined as follows:

- + Home use: solely for private use in private households up to 3 hours per day
- + Semi-professional use: up to 6 hours per day (e. g. rehabilitation centres, hotels, clubs, company gyms)
- + Professional use: more than 6 hours per day (e. g. commercial gyms)

Warranty Service

Within the warranty period, equipment which develops faults as a result of material or manufacturing defects, will be repaired or replaced at our discretion. Ownership of equipment or parts of equipment which have been replaced is transferred to us. The warranty period is not extended nor does a new warranty period begin following repair or replacement under the warranty.

Warranty Conditions

For the warranty to be valid, the following steps must be taken:

Please contact our customer service by email or phone. If the product under warranty has to be sent in for repair, the seller bears costs. After expiry of the warranty, the buyer bears the costs of transport and insurance. If the fault is covered by our warranty, you will receive a new or repaired equipment in return.

Warranty claims are invalid in case of damage resulting from:

- + misuse or improper handling
- + environmental influences (moisture, heat, electrical surge, dust, etc.)
- + failure to follow the current safety measures for the equipment
- + failure to follow the operating instructions
- + use of force (e. g. hitting, kicking, falling)
- + interventions which were not carried out by one of our authorized service centres
- + unauthorised repair attempts

Proof of Purchase and Serial Number

Please make sure that you are able to provide the appropriate receipt when claiming on your warranty. So that we can clearly identify the model of your equipment, and for the purposes of our quality control, you will need to give the serial number of your equipment, when contacting the service team. Where possible please have your serial number and your customer number ready when you call our service hotline. It will help us to deal with your request swiftly.

If you cannot find the serial number on your fitness equipment, our service team is at your disposal to offer further information.

Service outside of the Warranty Period

We are also happy to issue an individual cost estimate if there is a problem with your fitness equipment after the warranty has expired, or in cases which do not fall under the terms of the warranty, e. g. normal wear and tear. Please contact our customer service team to find a quick and cost-effective solution to your problem. In such a case you will be responsible for the delivery costs.

Communication

Many problems can be solved just by speaking to us as your specialist supplier. We know how important it is to you as a user of the fitness equipment to have problems solved quickly and simply, so you can enjoy working out with minimal interruption. For that reason, we also want to resolve your queries quickly and in a straightforward manner. Thus, please always keep your customer number and the serial number of the faulty equipment handy.

DE	DK	FR				
TECHNICAL SUPPORT +49 4621 4210-900 +49 4621 4210-698 technik@sport-tiedje.de Mo - Fr 08:00 - 18:00 Sa 09:00 - 18:00	TECHNICAL SUPPORT & SERVICE 80 90 16 50 +49 4621 4210-945 info@fitshop.dk Mo - Fr 08:00 - 18:00 Sa 09:00 - 18:00	TECHNICAL SUPPORT & SERVICE +33 (0) 172 770033 +49 4621 4210-933 service-france@fitshop.fr Mo - Fr 08:00 - 18:00 Sa 09:00 - 18:00				
SERVICE 0800 20 20277 (Freecall) info@sport-tiedje.de Mo - Fr 08:00 - 21:00 Sa 09:00 - 21:00 So 10:00 - 18:00	<th>PL</th> <td> TECHNICAL SUPPORT & SERVICE 22 307 43 21 +49 4621 42 10-944 info@fitshop.pl Mo - Fr 08:00 - 18:00 Sa 09:00 - 18:00 </td> <td> <th>BE</th> <td> TECHNICAL SUPPORT & SERVICE 02 732 46 77 +49 4621 42 10-944 info@fitshop.be Mo - Fr 08:00 - 18:00 Sa 09:00 - 18:00 </td> </td>	PL	TECHNICAL SUPPORT & SERVICE 22 307 43 21 +49 4621 42 10-944 info@fitshop.pl Mo - Fr 08:00 - 18:00 Sa 09:00 - 18:00	<th>BE</th> <td> TECHNICAL SUPPORT & SERVICE 02 732 46 77 +49 4621 42 10-944 info@fitshop.be Mo - Fr 08:00 - 18:00 Sa 09:00 - 18:00 </td>	BE	TECHNICAL SUPPORT & SERVICE 02 732 46 77 +49 4621 42 10-944 info@fitshop.be Mo - Fr 08:00 - 18:00 Sa 09:00 - 18:00

UK	NL	INT				
TECHNICAL SUPPORT +44 141 876 3986 support@powerhousefitness.co.uk SERVICE +44 141 876 3972 Mo - Fr 9am - 5pm	TECHNICAL SUPPORT & SERVICE +31 172 619961 info@fitshop.nl Ma - Do 09:00 - 17:00 Vr 09:00 - 21:00 Za 10:00 - 17:00	TECHNICAL SUPPORT & SERVICE +49 4621 4210-0 service-int@sport-tiedje.de Mo - Fr 8am - 6pm Sat 9am - 6pm				
	<th>AT</th> <td> TECHNICAL SUPPORT & SERVICE 0800 20 20277 (Freecall) +49 4621 42 10-944 info@sport-tiedje.at Mo - Fr 08:00 - 18:00 Sa 09:00 - 18:00 </td> <td> <th>CH</th> <td> TECHNICAL SUPPORT & SERVICE 0800 202 027 +49 4621 42 10-944 info@sport-tiedje.ch Mo - Fr 08:00 - 18:00 Sa 09:00 - 18:00 </td> </td>	AT	TECHNICAL SUPPORT & SERVICE 0800 20 20277 (Freecall) +49 4621 42 10-944 info@sport-tiedje.at Mo - Fr 08:00 - 18:00 Sa 09:00 - 18:00	<th>CH</th> <td> TECHNICAL SUPPORT & SERVICE 0800 202 027 +49 4621 42 10-944 info@sport-tiedje.ch Mo - Fr 08:00 - 18:00 Sa 09:00 - 18:00 </td>	CH	TECHNICAL SUPPORT & SERVICE 0800 202 027 +49 4621 42 10-944 info@sport-tiedje.ch Mo - Fr 08:00 - 18:00 Sa 09:00 - 18:00

Please find a detailed overview including address and opening hours for all stores of the Sport-Tiedje Group in Germany and abroad on the following website:

www.sport-tiedje.com/en/stores

WE LIVE FITNESS

WEBSHOP AND SOCIAL MEDIA

Sport-Tiedje is Europe's largest specialist store for home fitness equipment with currently 80 stores and one of the world's most renowned online mail order companies for fitness equipment. Private customers order via the 25 web shops in the respective national language or have their desired equipment assembled on site. In addition, the company supplies fitness studios, hotels, sports clubs, companies and physio practices with professional equipment for endurance and strength training.

Sport-Tiedje offers a wide range of fitness equipment from renowned manufacturers, high-quality in-house developments and comprehensive services, such as a build-up service and sports scientific advice before and after the purchase. The company employs numerous sports scientists, fitness trainers and competitive athletes.

Visit us also on our social media platforms or our blog!



www.sport-tiedje.de
www.sport-tiedje.de/blog



www.facebook.com/SportTiedje



www.instagram.com/sporttiedje



www.youtube.com/user/sporttiedje

TAURUS

cardiostrong

BODYCRAFT

cardiojump



Notes

