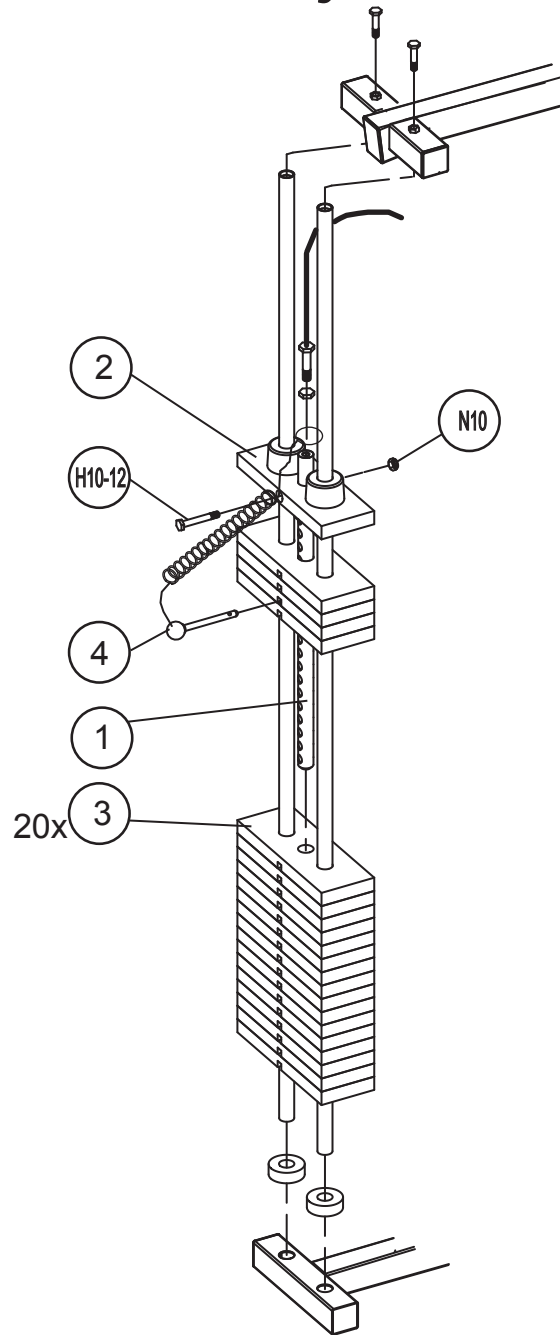


# 210LB Steel Weight Stack

## Model #: WS210

### *Assembly Instructions*



Part#	Description	Qty	Remark
1	Weight Selective Bar	1	
2	Top Weight Stack	1	
3	Weight Stack	20	
4	Weight Selective Pin	1	
H10-11	M10x65mm Hex Head Bolt	1	Pre-assembled
N10	M10 Nut	1	Pre-assembled