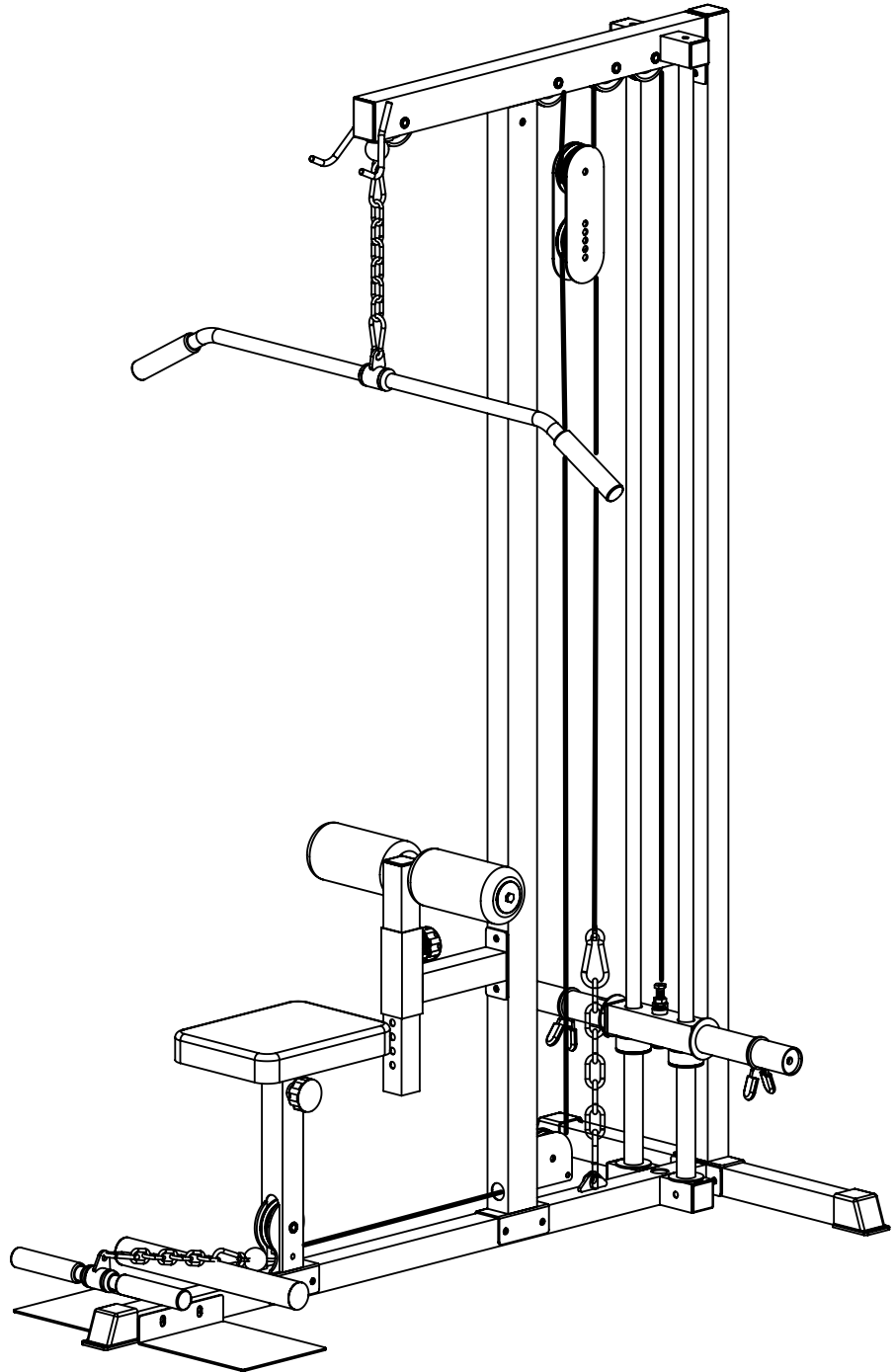


OWNER'S MANUAL

HIGH LAT / LOW ROW MACHINE

Model #: 660 LR



Caution: Read all precautions and instructions in this manual before using this equipment. Save this manual for future reference.

Assembly Instructions

Contents

| | |
|--------------------------------------|-------------|
| Contents | 1 |
| Before You Begin | 2 |
| Assembly Steps | 3-8 |
| Parts&Hardware List | 9-10 |

Assembly Instructions

Before Your Begin

This exercise equipment is built for optimum safety. Be sure to read the entire manual before you assemble or operate your equipment. Please note the following safety precautions:

1. Keep children and pets away from the equipment at all times. Do not leave children unattended in the same room with the equipment.
2. Only one person at a time should use the equipment.
3. If the user experiences dizziness, nausea, chest pain, or any other abnormal symptoms STOP the workout at once.
CONSULT A PHYSICIAN IMMEDIATELY.
4. Position the equipment on a clear, level surface. DO NOT use the bench near water or outdoors.
5. Keep hands away from all moving parts.
6. Always wear appropriate workout clothing when exercising. DO NOT wear robes or other clothing that could become caught in the equipment.
7. Use the equipment only for its intended use as described in this manual. DO NOT use attachments not recommended by the manufacturer.
8. Before using the equipment, always do stretching exercises to properly warm up.
9. Never operate the equipment if the equipment is not functioning properly.

Tools Required

Assembly Size : Approx. L1520 x W1200 x H2100MM

Tools Required : Allen Wrench Set / Socket Wrench Set

Adjustable Wrench / Crescent Wrench

Rubber Mallet / Tape Measure

ASSEMBLY REQUIRES AT LEAST TWO PERSONS

Weight Capacity

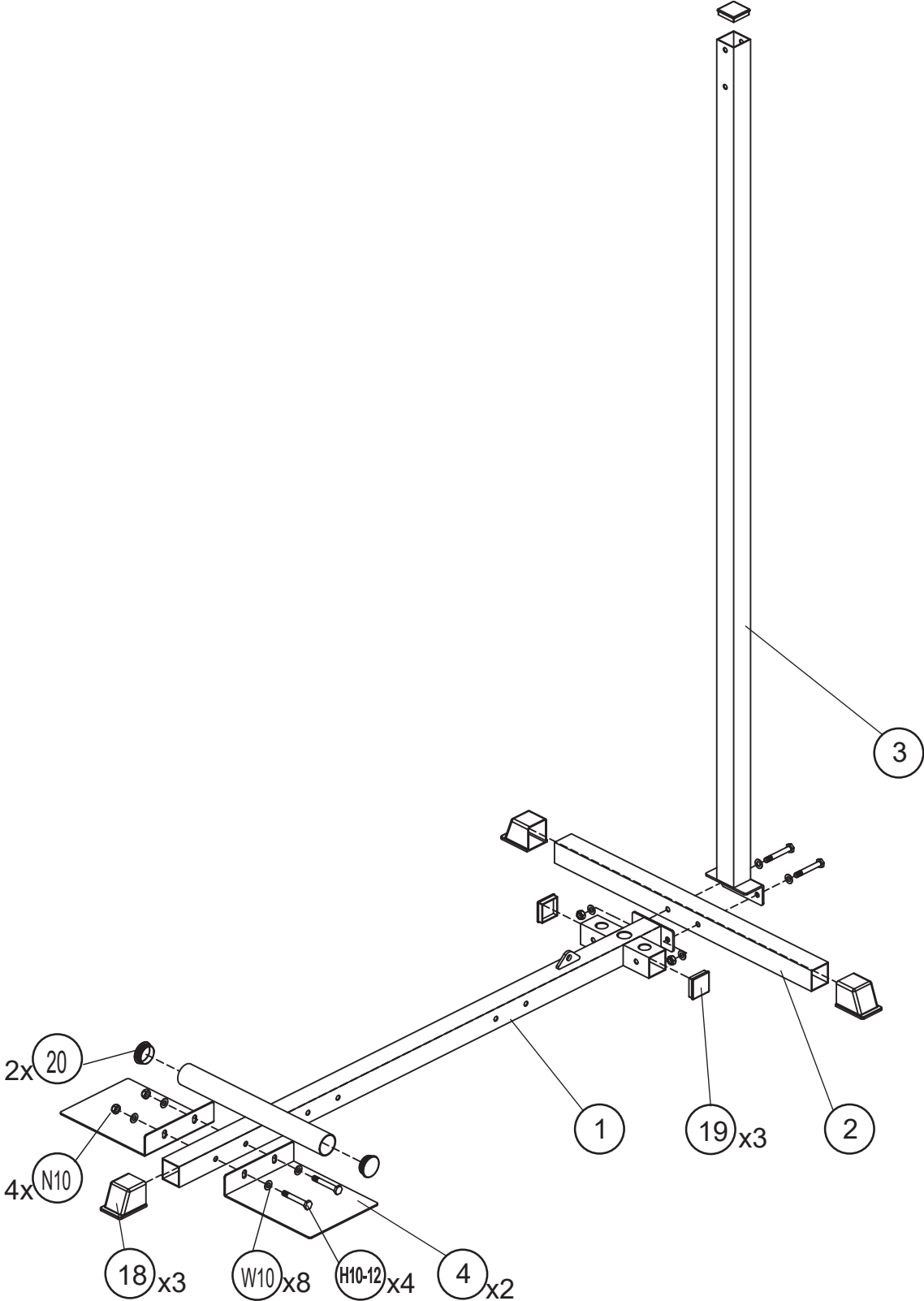
Maximum Weight of the Weight : **600LBS**

WARNING: This Product Is Rated for Home Use Only!

Using this product in a commercial setting will void all warranties and can result in serious injury or death!

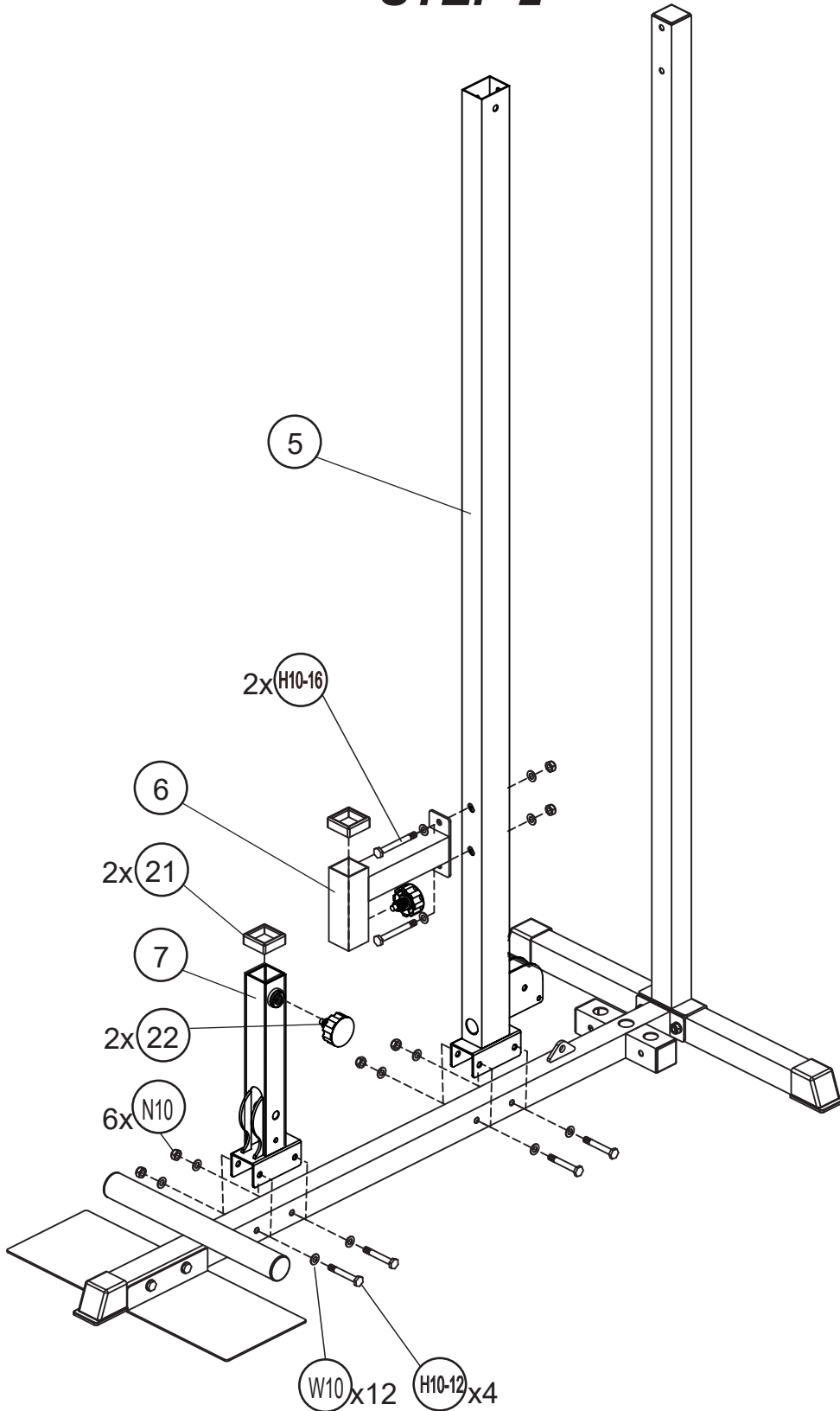
Assembly Instructions

STEP 1



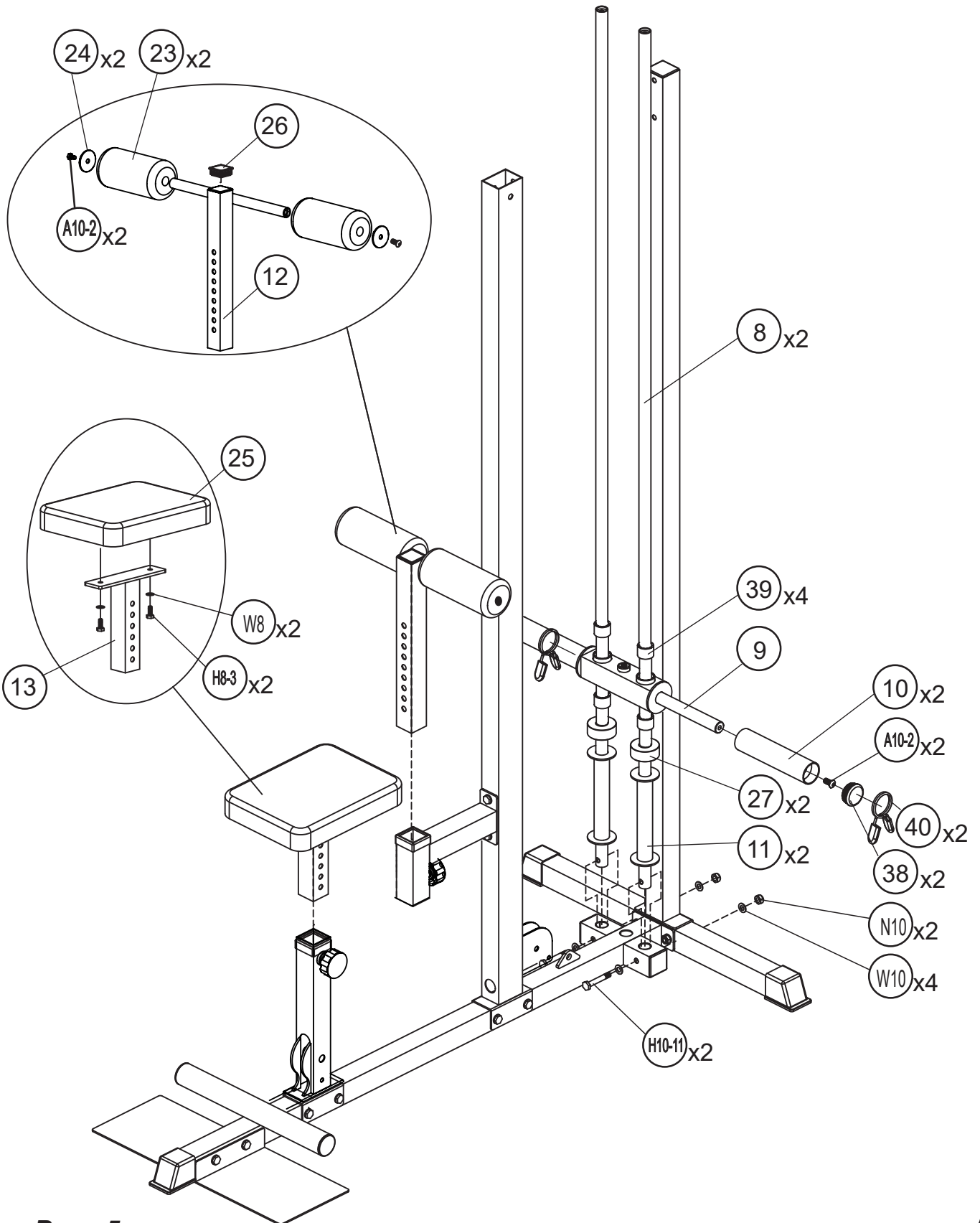
Assembly Instructions

STEP 2



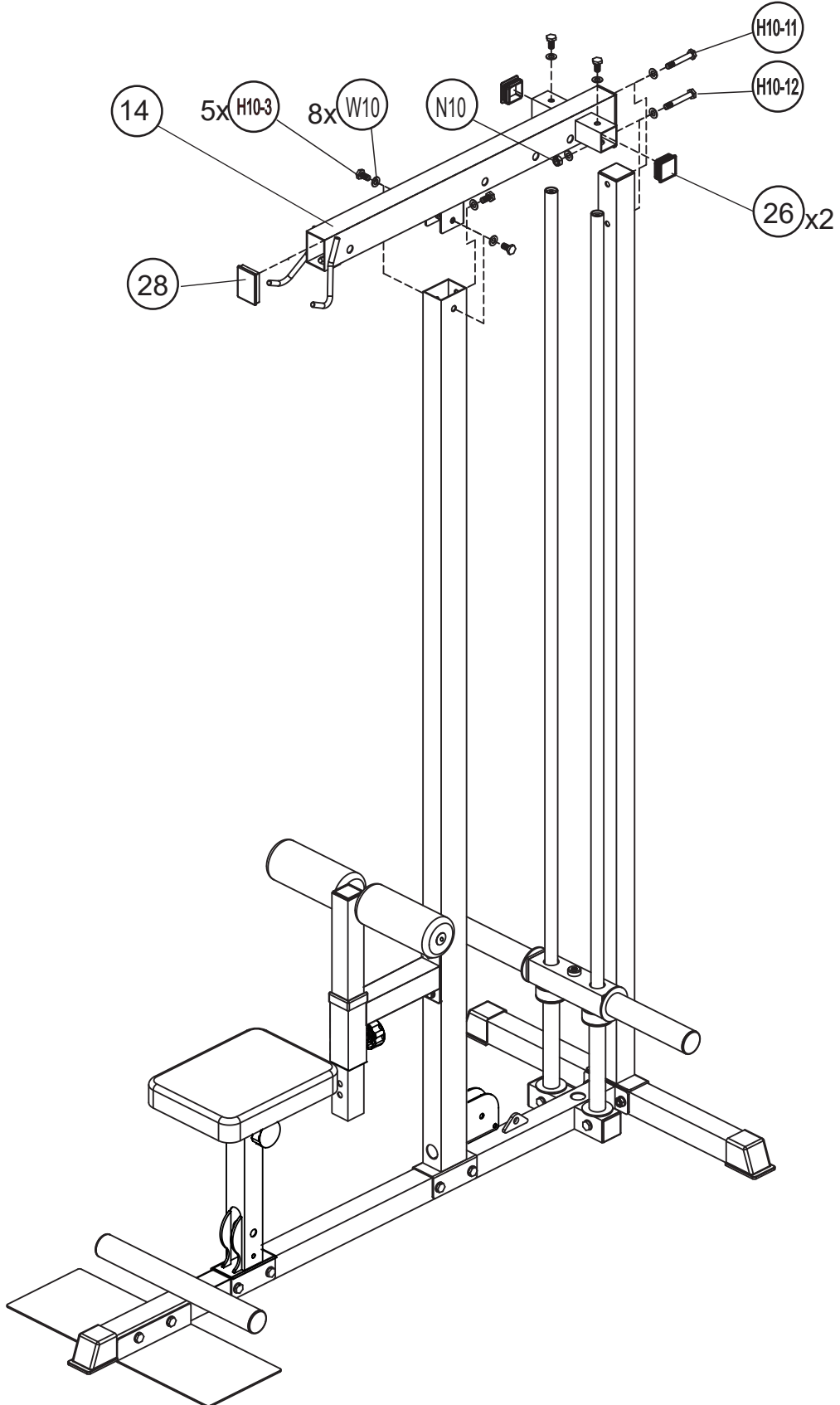
Assembly Instructions

STEP 3



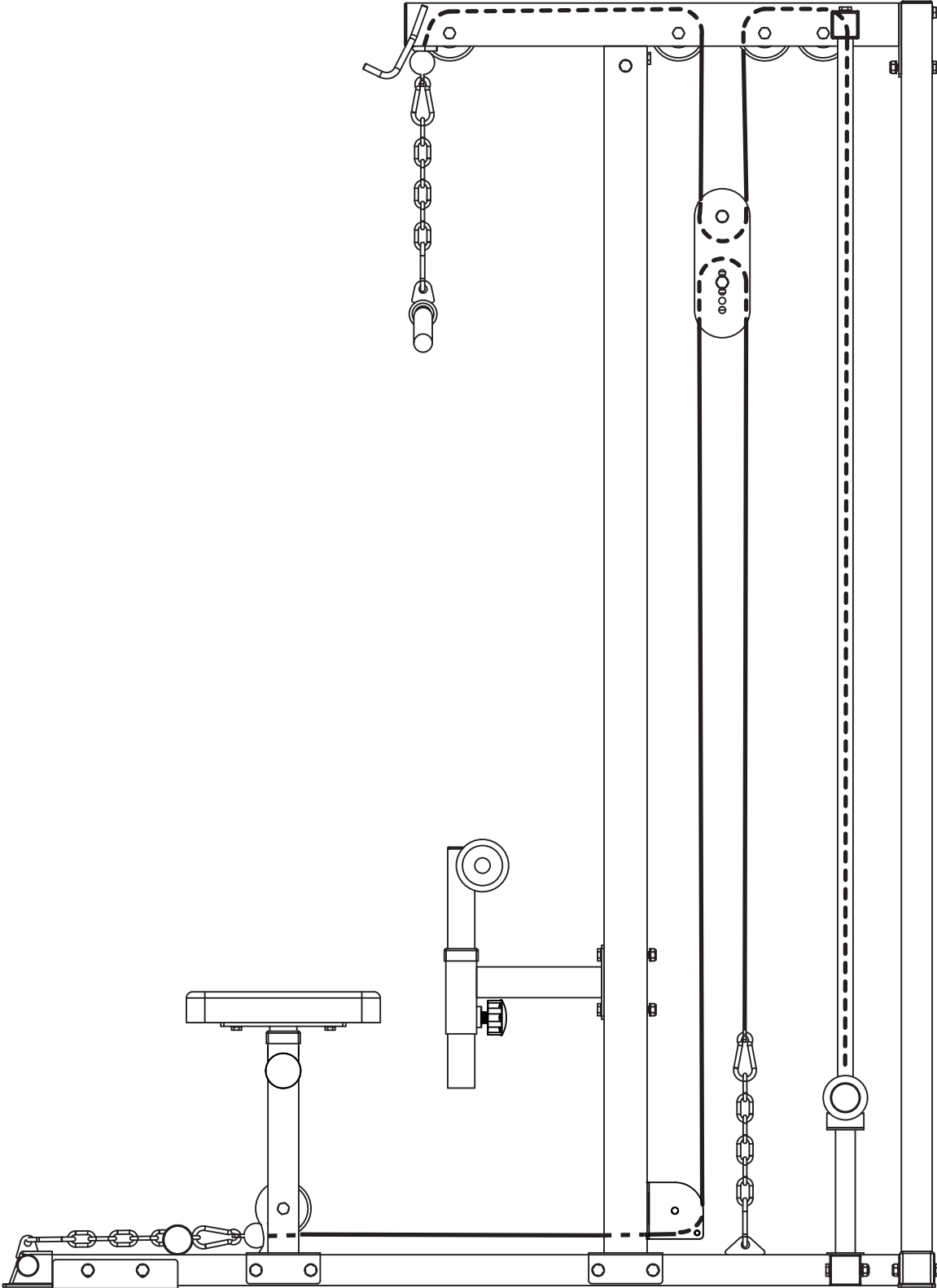
Assembly Instructions

STEP 4



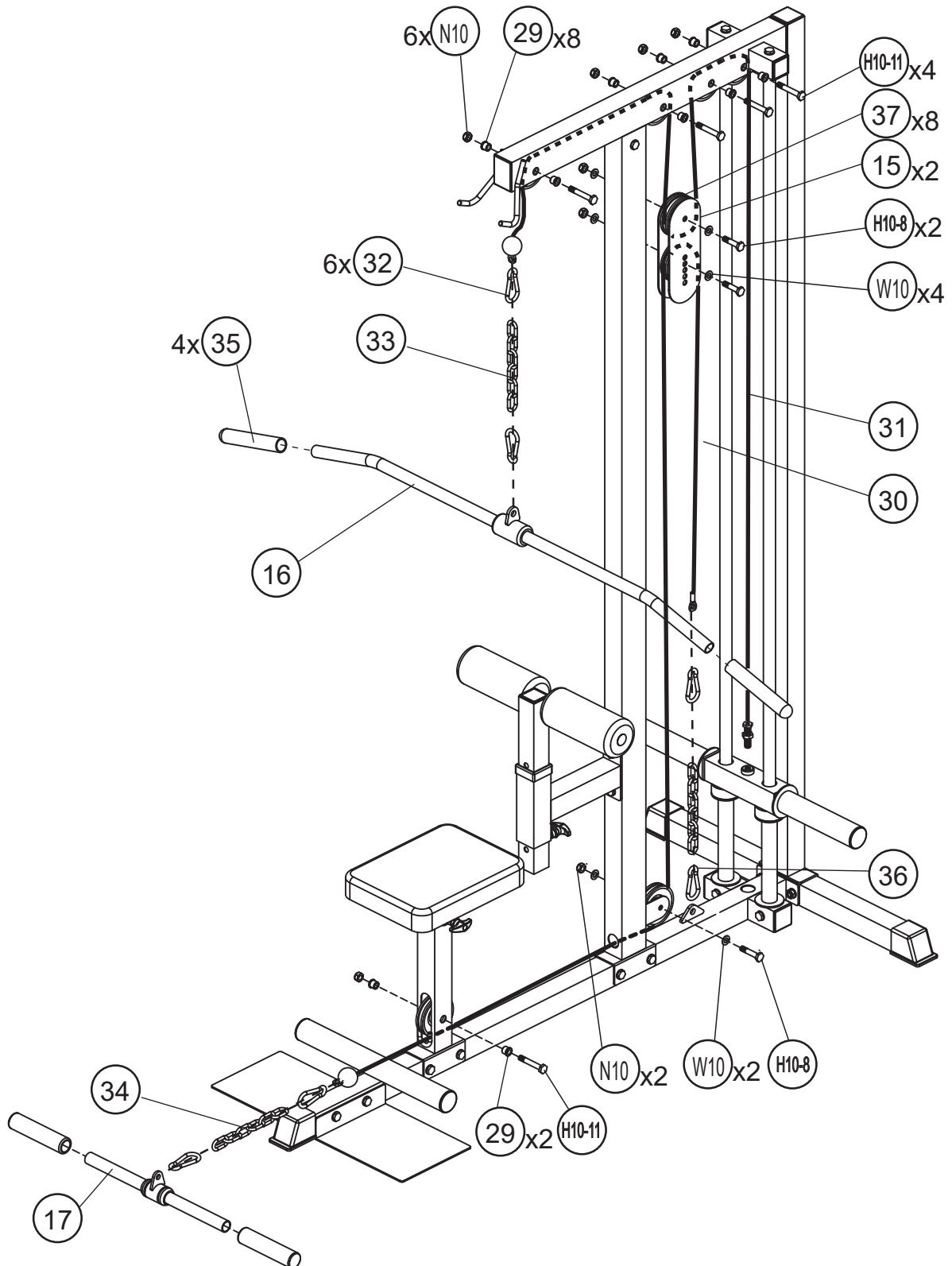
Assembly Instructions

Cable Loop Diagram



Assembly Instructions

STEP 5



Assembly Instructions

Parts & Hardware List

| Part# | Description | Qty | Remark |
|-------|------------------------|-----|---------------|
| 1 | Bottom Frame | 1 | |
| 2 | Rear Foot Tube | 1 | |
| 3 | Rear Upright | 1 | |
| 4 | Foot Plate | 2 | |
| 5 | Front Upright | 1 | |
| 6 | Leg Holder Bracket | 1 | |
| 7 | Seat Bracket Support | 1 | |
| 8 | Guide Rod | 2 | |
| 9 | Weight Plate Holder | 1 | |
| 10 | Olympic Sleeve | 2 | |
| 11 | Plate Holder Riser | 2 | |
| 12 | Leg Holder | 1 | |
| 13 | Seat Bracket | 1 | |
| 14 | Top Frame | 1 | |
| 15 | Pulley Plate | 2 | |
| 16 | Lat Bar | 1 | |
| 17 | Low Row Bar | 1 | |
| 18 | F50x50mm Outer Cap | 3 | |
| 19 | F50x50mm Inner Cap | 3 | Pre-assembled |
| 20 | Dia 48mm Inner Cap | 2 | Pre-assembled |
| 21 | F50-45mm Sleeve | 2 | Pre-assembled |
| 22 | Pop Pin | 2 | |
| 23 | Foam Roller | 2 | |
| 24 | Foam Plate | 2 | Pre-assembled |
| 25 | Seat Pad | 1 | |
| 26 | F45x45mm Inner Cap | 3 | Pre-assembled |
| 27 | Rubber Bumper | 2 | |
| 28 | F50x70mm Inner Cap | 1 | Pre-assembled |
| 29 | Pulley Bushing | 10 | |
| 30 | Low Row Cable | 1 | |
| 31 | Lat Cable | 1 | |
| 32 | Clip | 6 | |
| 33 | Short Chain | 1 | |
| 34 | Long Chain | 1 | |
| 35 | Handle Sleeve | 4 | Pre-assembled |
| 36 | Cable Chain | 1 | |
| 37 | Pulley | 8 | |
| 38 | Dia 48mm Inner Cap | 2 | |
| 39 | Weight Carriage Sleeve | 4 | Pre-assembled |
| 40 | Spring Clip | 2 | |

Assembly Instructions

Parts & Hardware List

| Part# | Description | Qty | Remark |
|--------|------------------------|-----|--------|
| H8-3 | M8x25mm Hex Head Bolt | 2 | |
| A10-2 | M10x20mm Allen Bolt | 4 | |
| H10-3 | M10x25mm Hex Head Bolt | 5 | |
| H10-8 | M10x50mm Hex Head Bolt | 3 | |
| H10-11 | M10x65mm Hex Head Bolt | 8 | |
| H10-12 | M10x70mm Hex Head Bolt | 9 | |
| H10-16 | M10x90mm Hex Head Bolt | 2 | |
| | | | |
| W8 | M8 Washer | 2 | |
| W10 | M10 Washer | 38 | |
| | | | |
| N10 | M10 Nut | 21 | |

Limited Warranty

We warrants this product to be free from defects in workmanship and materials under normal use and conditions for a period of **1 year FROM THE DATE OF ORIGINAL PURCHASE**. This Limited Warranty is not transferable and is available only for the original purchaser of the product. The company's obligation under this warranty is limited to replacing or repairing the product, at the discretion of the company.

This Limited Warranty is void if the product is:

Damaged through improper use, negligence, abuse, misuse, transportation damage, act of nature, or accident, include failure to follow the assembly and or operation instructions supplied with the product.

Used in commercial or rental applications.

Modified or repaired by anyone not authorized by the company.

This Limited Warranty does not cover expendable items including but not limited to: Batteries, light bulbs, fuses, accessories, and other items that experience wear as a result of normal use.